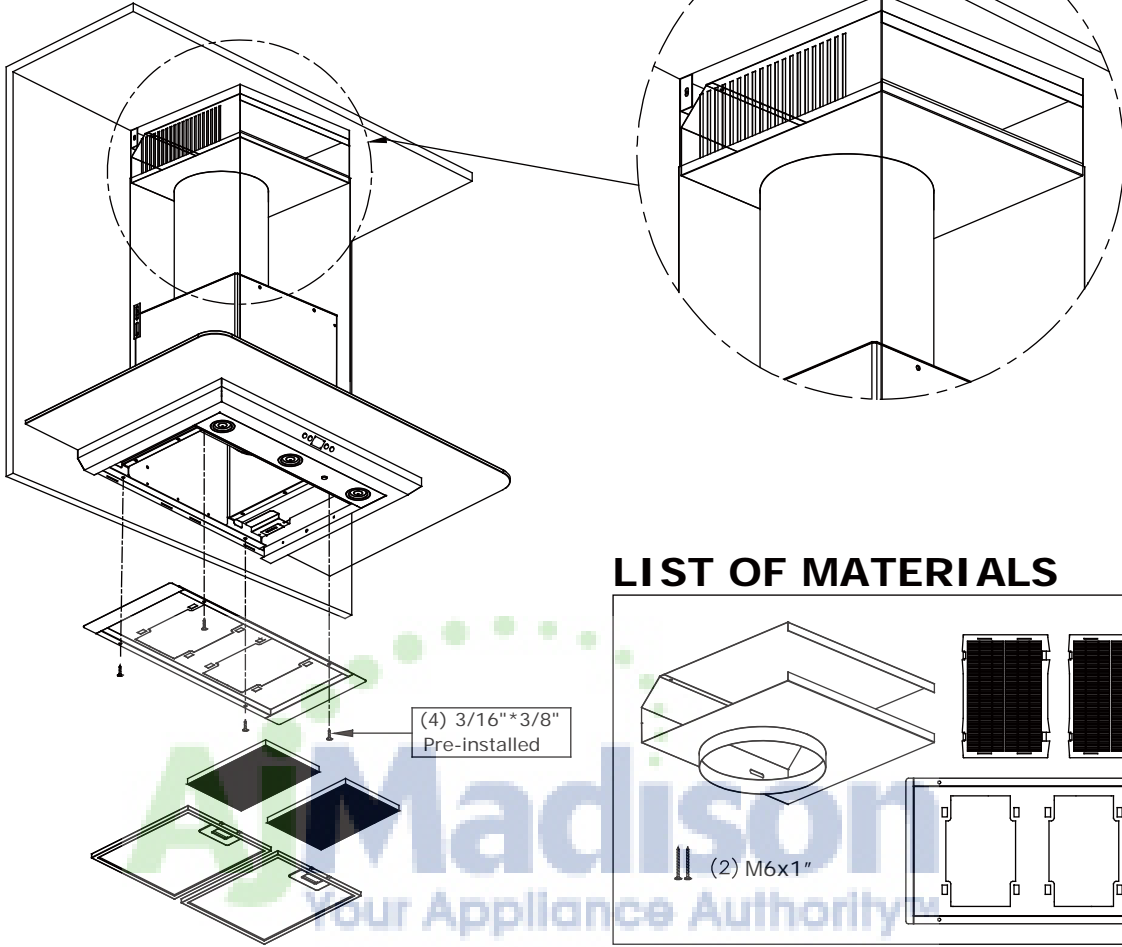
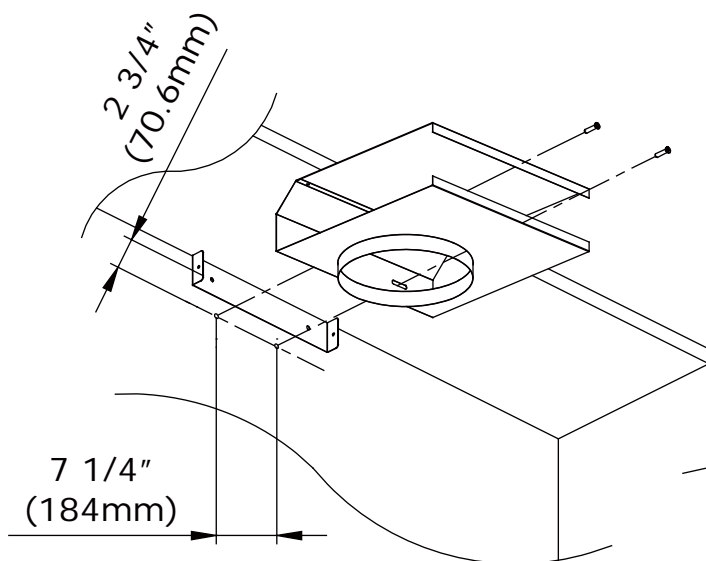


## ZRC-00VO

For use with models : ZVO-E30AG, ZVO-M90AG



1



2

