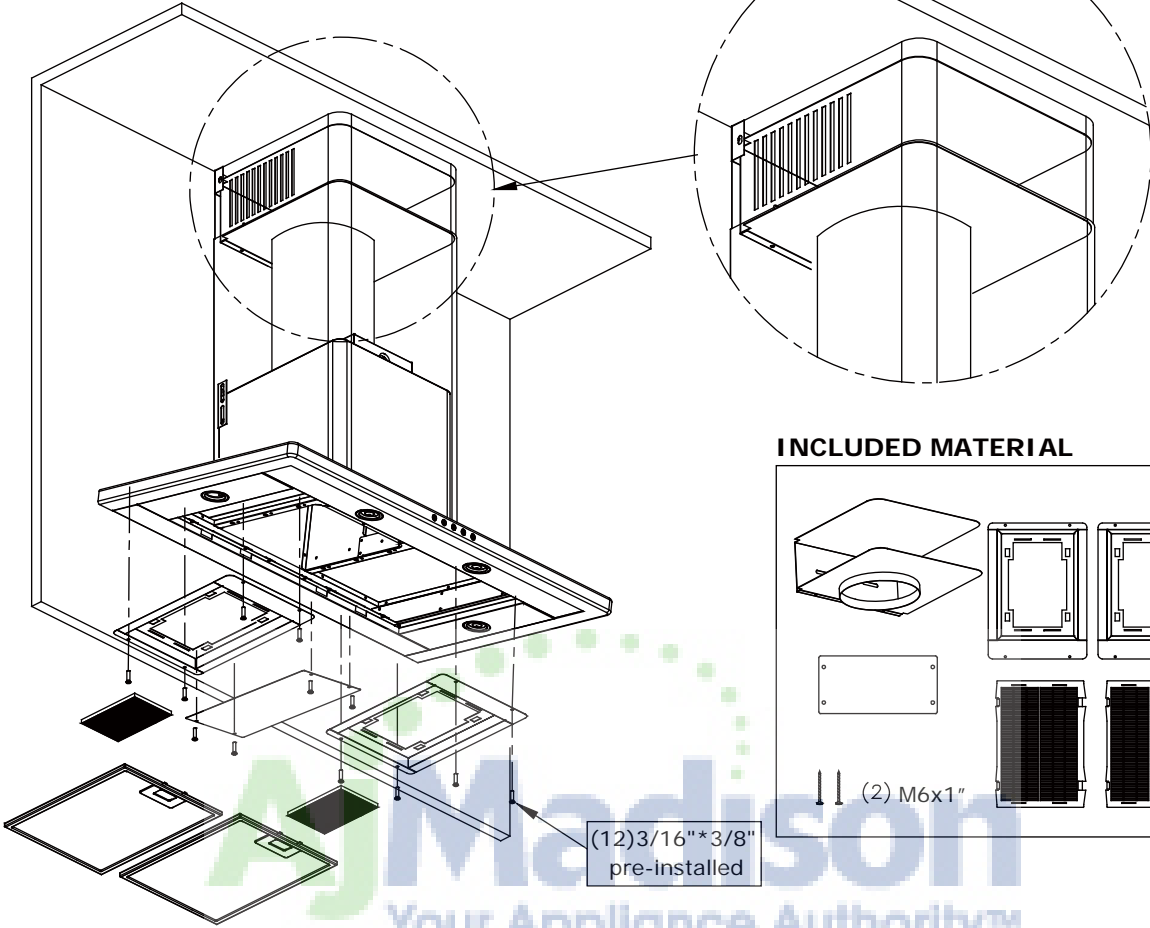
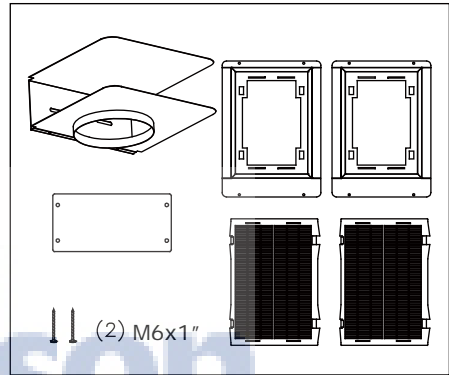


ZRC-00FI

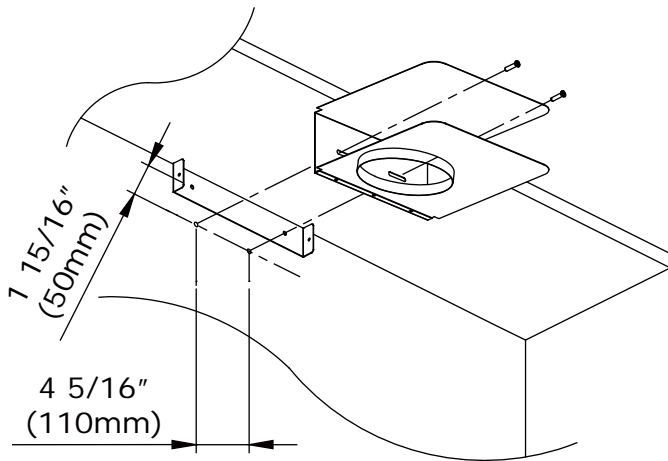
For use with models : ZFI-M90BS



INCLUDED MATERIAL



1



2

