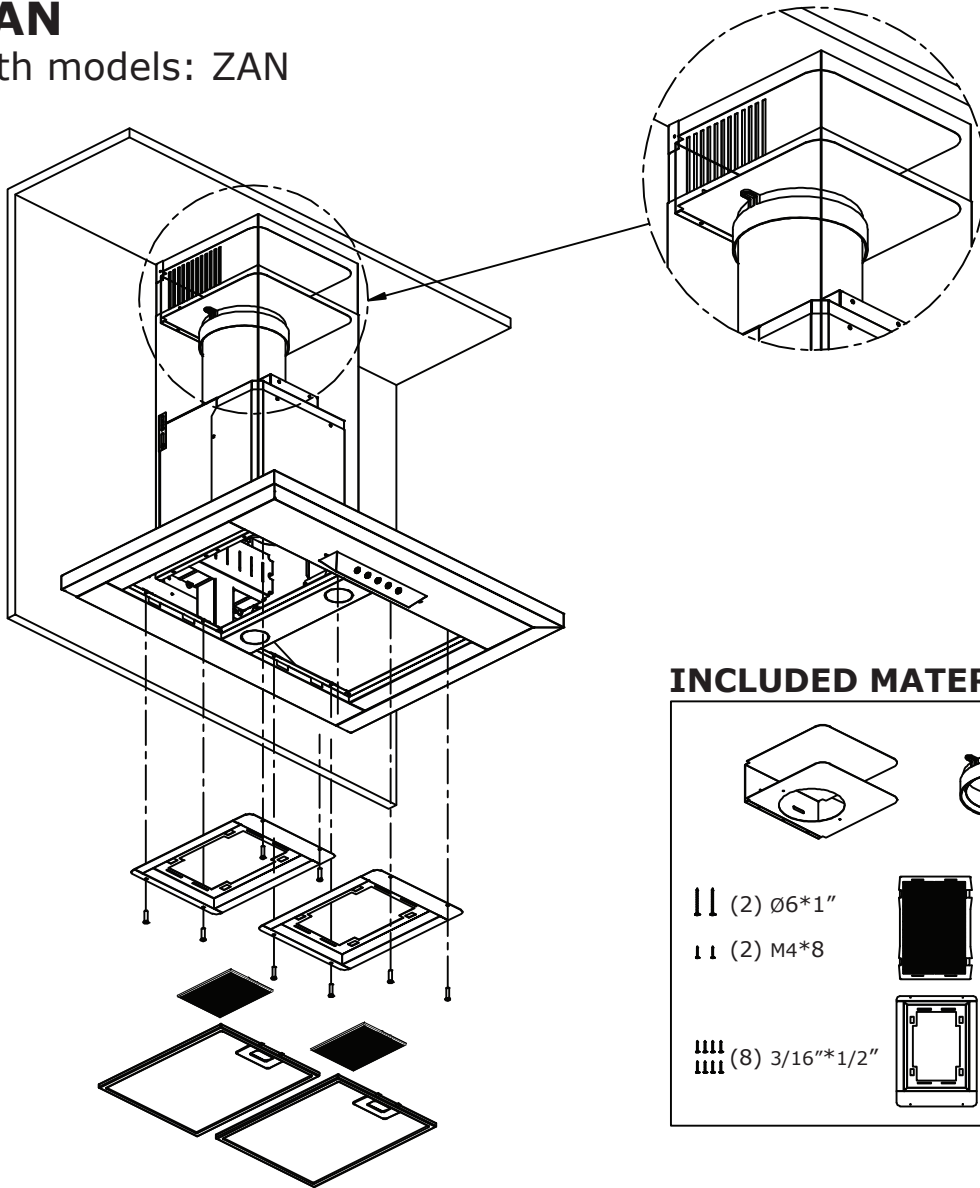
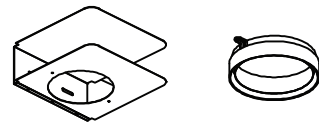


ZRC-00AN

For use with models: ZAN



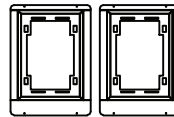
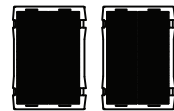
INCLUDED MATERIALS



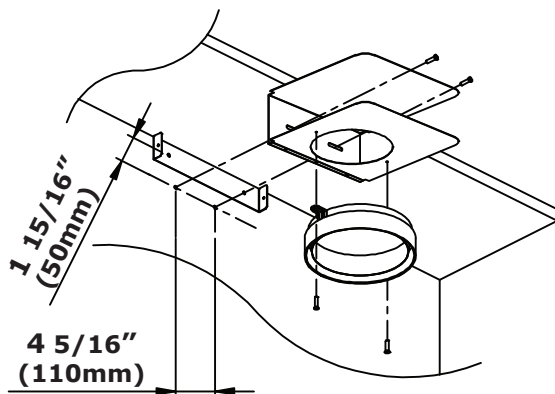
|| (2) Ø6*1"

|| (2) M4*8

|||| (8) 3/16"*1/2"



1



2

