

30" Gas Cooktop

800 Series – Black w/Black Stainless Knobs NGM8046UC



BOSCH
Invented for life



NGM8046UC

Black w/Black Stainless Knobs

Also available in:

Stainless Steel NGM8056UC

Bosch gas cooktops are engineered to perform precisely, offering high heat and low simmer options for optimal cooking flexibility.

Features & Benefits

Powerful 19,000 BTU burner for boiling, searing and stir-frying

OptiSim® Burner – simmer delicate sauces and melt chocolate without scorching

Electronic re-ignition will automatically re-ignite the burner in case the flame goes out

Seamless, one-piece porcelain steel design makes clean-up simple

Distinctive red LED light indicates burners are on

General Properties

Knob material	Metal
Sealed burners	Yes
Grate material	Cast iron

Element Performance

Total BTU load (NG / LP)	48,600 / 43,200
Power of front left burner (NG / LP)	9,300 / 9,100
Power of back left burner (NG / LP)	5,500 / 5,000
Power of center burner (NG / LP)	19,000 / 15,000
Power of back right burner (NG / LP)	9,300 / 9,100
Power of front right burner (NG / LP)	5,500 / 5,000

Technical Details

Watts	360 W
Circuit breaker	15 A
Volts	120 V
Frequency	60 Hz
Plug type	3 prong
Power cord length	60"
Energy source	Gas
Convertible to LP (kit required)	Yes



Dimensions & Weight

Overall appliance dimensions (HxWxD)	3 13/16" x 31" x 21 1/4"
Required cutout size (HxWxD)	3 13/16" x 28 15/16" x 19 1/8"
Minimum distance from counter front	1 7/8"
Minimum distance from rear wall	3"
Net weight	37 lbs

Accessories – Included

Included	LP conversion kit
----------	-------------------

† To be fully ADA compliant, these units must be installed according to ADA guidelines. Please check current ADA requirements for guidance on installation.

Accessories: To purchase Bosch accessories, cleaners & parts please visit www.bosch-home.com/us/store or call 1-800-944-2904 (Mon to Fri 5 am to 6 pm PST, Sat 6 am to 3 pm PST).

Notes: All height, width and depth dimensions are shown in inches. BSH reserves the absolute and unrestricted right to change product materials and specifications, at any time, without notice. Consult the product's installation instructions for final dimensional data and other details prior to making cutout.

Warranties: Please see Use & Care manual or Bosch website for statement of limited warranty.

For more information on our entire line of products, go to www.bosch-home.com/us or call 1-800-944-2904

© BSH Home Appliances Corporation. All rights reserved. Bosch is a registered trademark of Robert Bosch GmbH.

30" Gas Cooktop

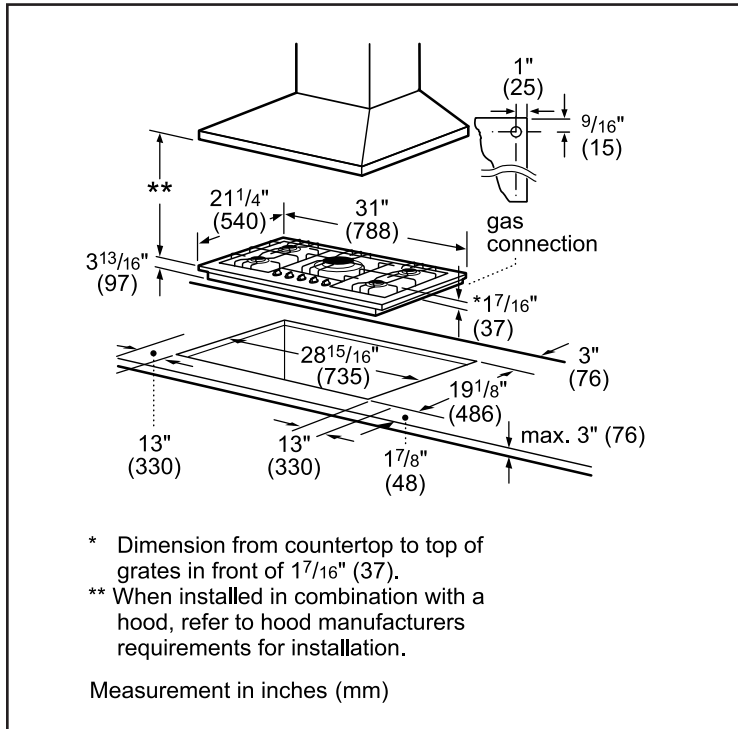
800 Series – Black w/Black Stainless Knobs NGM8046UC



BOSCH
Invented for life

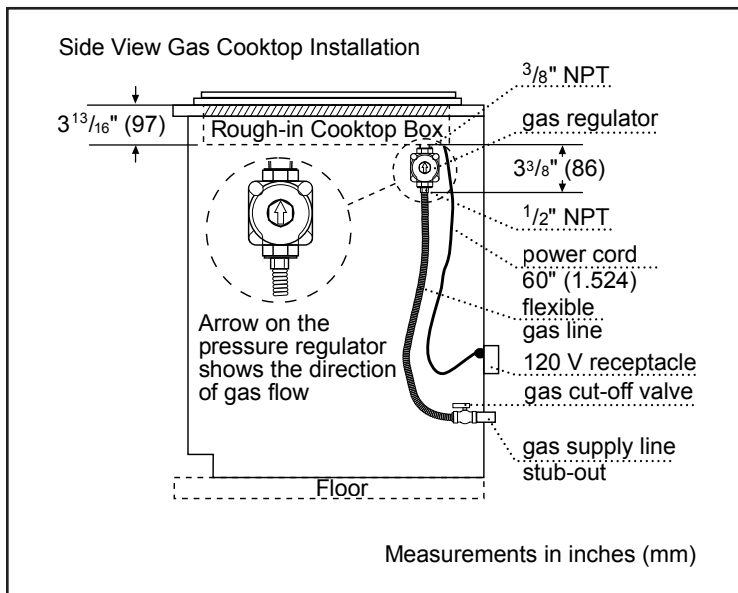
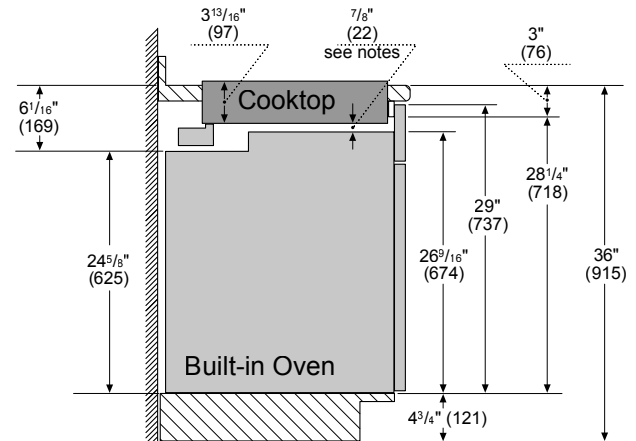


Installation Details



Installation above Wall Ovens

30" Built-in oven - under gas cooktop



Accessories: To purchase Bosch accessories, cleaners & parts please visit www.bosch-home.com/us/store or call 1-800-944-2904 (Mon to Fri 5 am to 6 pm PST, Sat 6 am to 3 pm PST).

Notes: All height, width and depth dimensions are shown in inches. BSH reserves the absolute and unrestricted right to change product materials and specifications, at any time, without notice. Consult the product's installation instructions for final dimensional data and other details prior to making cutout.

Warranties: Please see Use & Care manual or Bosch website for statement of limited warranty.

For more information on our entire line of products, go to www.bosch-home.com/us or call 1-800-944-2904

© BSH Home Appliances Corporation. All rights reserved. Bosch is a registered trademark of Robert Bosch GmbH.

30" Gas Cooktop

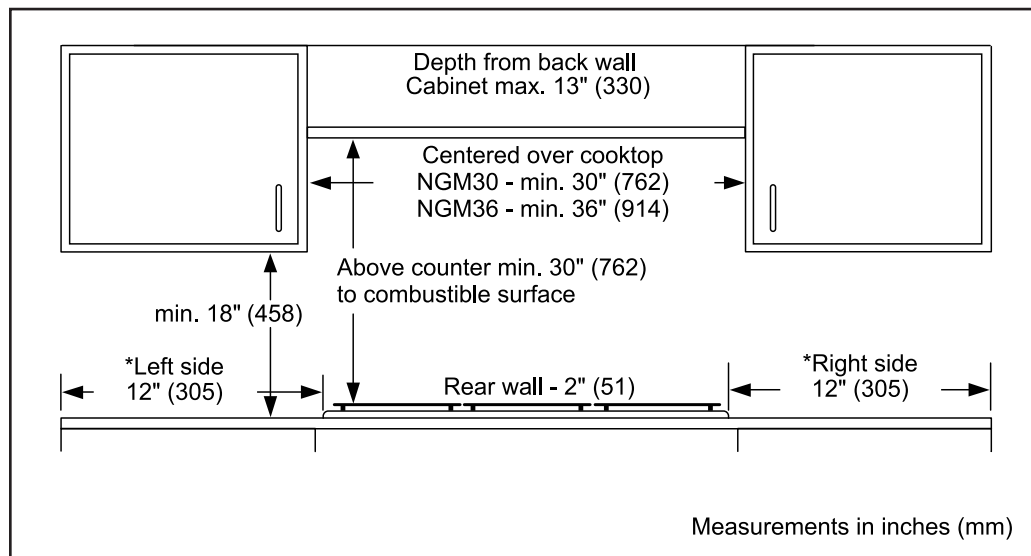
800 Series – Black w/Black Stainless Knobs NGM8046UC



BOSCH
Invented for life



Installation Details



Accessories: To purchase Bosch accessories, cleaners & parts please visit www.bosch-home.com/us/store or call 1-800-944-2904 (Mon to Fri 5 am to 6 pm PST, Sat 6 am to 3 pm PST).

Notes: All height, width and depth dimensions are shown in inches. BSH reserves the absolute and unrestricted right to change product materials and specifications, at any time, without notice. Consult the product's installation instructions for final dimensional data and other details prior to making cutout.

Warranties: Please see Use & Care manual or Bosch website for statement of limited warranty.

For more information on our entire line of products, go to www.bosch-home.com/us or call 1-800-944-2904

© BSH Home Appliances Corporation. All rights reserved. Bosch is a registered trademark of Robert Bosch GmbH.

30" Gas Cooktop

800 Series – Black w/Black Stainless Knobs NGM8046UC



BOSCH
Invented for life

Bosch Cooktop over Built-In Oven Approved Combination Guide

The following **OVENS, COOKTOPS AND DRAWERS** are approved to be installed in combination and the installation has been certified by CSA.

Built-in ovens		Cooktops		
Conventional ovens (1)	Steam ovens	Induction	Electric	Gas (1) *
HBL5351UC, HBL5354UC	HSLP451UC, HSLP454UC	NIT5068UC	NET8068UC	NGM8046UC
HBL5451UC, HBL5344UC		NIT5668UC, NIT5469UC	NET8068SUC	NGM5656UC
HBL8443UC, HBL5454UC		NIT8068UC, NIT8068SUC	NET8668UC	NGMP656UC
HBL8453UC, HBL8444UC		NIT8668UC, NIT8668SUC	NET8668SUC	NGM8656UC
HBL8451UC, HBL8444LUC		NITP068UC, NITP068SUC	NETP068SUC	NGM8646UC
HBL8463UC, HBL8444RUC		NITP668UC, NITP668SUC	NETP668SUC	NGM5656UC
HBL8461UC, HBL8454UC		NIT8069UC, NIT8069SUC	NEM5066UC	NGMP056UC
HBL8442UC, HBLP454UC		NIT8669UC, NIT8669SUC	NEM5666UC	NGM8056UC
HBLP451UC, HBLP454LUC		NITP069UC, NITP069SUC		Gas (2) *
HBLP451LUC, HBLP454RUC		NITP669UC, NITP669SUC		NGM5456UC
HBLP451RUC, HBN8454UC				Gas (3) *
HBN5451UC, HBN8451UC				NGMP077UC
Conventional ovens (2)				NGMP677UC
HBE5451UC				NGM8657UC
Conventional ovens (3)				NGM8057UC
HBE5452UC				

The following **OVENS, COOKTOPS AND DRAWERS** are approved by BSH Home Appliances Corporation to be installed in combination. These products, identified in the table below, may be installed in combination. The suitability of the combination has not been evaluated by CSA.

Built-in ovens		Cooktops		
Conventional ovens (2)	Speed oven (1)	Induction (1)	Electric (1)	Gas (1) *
HBE5453UC	HMCP0252UC, HMCP0254UC	NIT5068UC	NET8068UC	NGM8046UC
Built-In microwave	HMC80242UC, HMC80244UC	NIT5668UC, NIT5469UC	NET8068SUC	NGM5656UC
HMB57152UC	HMC80252UC, HMC80254UC	NIT8068UC, NIT8068SUC	NET8668UC	NGMP656UC
HMB50162UC	HMC87152UC, HMC87154UC	NIT8668UC, NIT8668SUC	NET8668SUC	NGM8656UC
HMB50152UC	HMC80152UC, HMC50154UC	NITP068UC, NITP068SUC	NETP068SUC	NGM8646UC
HMB87154UC		NITP668UC, NITP668SUC	NETP668SUC	NGM5656UC
HMB50154UC		NIT8069UC, NIT8069SUC	NEM5066UC	NGMP056UC
Storage drawer	Speed oven (2)	NIT8669UC, NIT8669SUC	NEM5666UC	NGM8056UC
HSD5051UC	HMC54151UC	NITP069UC, NITP069SUC		Gas (2) *
Drawer microwave	HMC54152UC	NITP669UC, NITP669SUC		NGM5456UC
HMD8053UC	HMC54154UC			Gas (3) *
HMD8451UC				NGMP077UC
Warming drawers				NGMP677UC
HWD5051UC				NGM8657UC
HWD5751UC				NGM8057UC

*Gas cooktops may require a 3/8" street elbow (not provided) at the regulator outlet for installation above built-in oven.
COOKTOPS that are not listed above must be approved under local codes and/or by the local authority having jurisdiction.
Please note: For the latest updates to the approved oven/cooktop combination refer to the website listed in your appliance's installation instructions.

Accessories: To purchase Bosch accessories, cleaners & parts please visit www.bosch-home.com/us/store or call 1-800-944-2904 (Mon to Fri 5 am to 6 pm PST, Sat 6 am to 3 pm PST).
Notes: All height, width and depth dimensions are shown in inches. BSH reserves the absolute and unrestricted right to change product materials and specifications, at any time, without notice. Consult the product's installation instructions for final dimensional data and other details prior to making cutout.
Warranties: Please see Use & Care manual or Bosch website for statement of limited warranty.
For more information on our entire line of products, go to www.bosch-home.com/us or call 1-800-944-2904
© BSH Home Appliances Corporation. All rights reserved. Bosch is a registered trademark of Robert Bosch GmbH.

30" Gas Cooktop

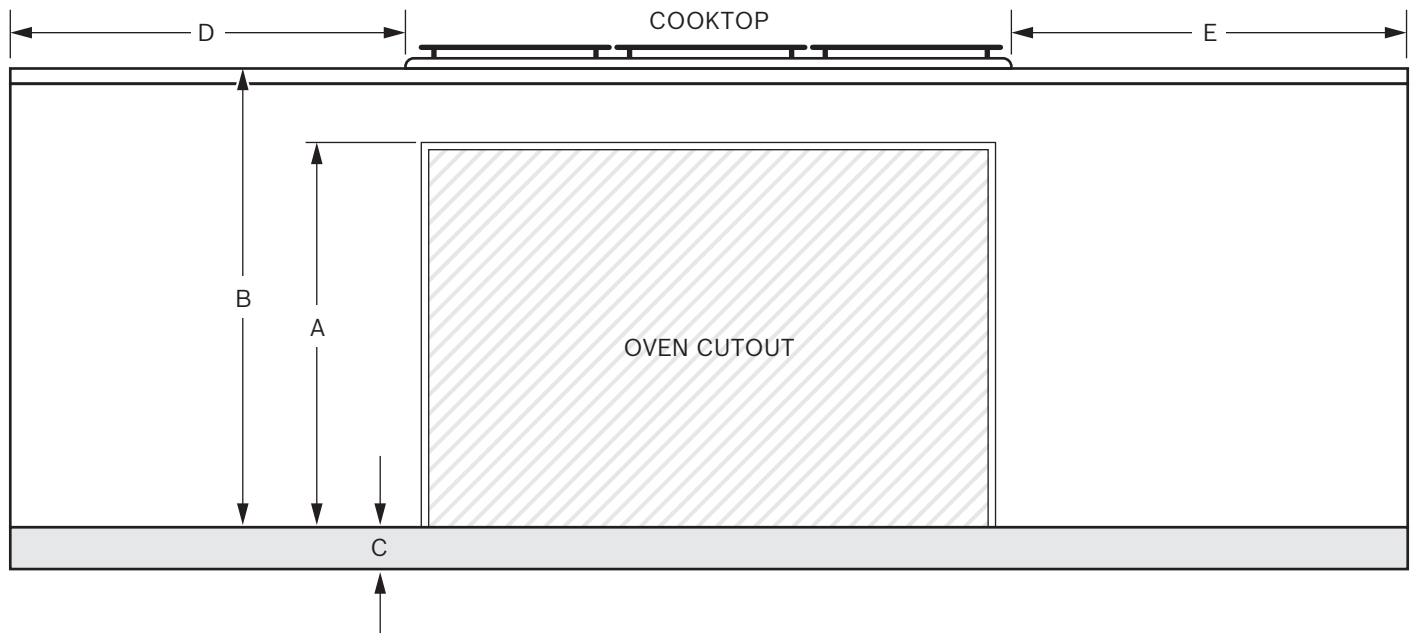
800 Series – Black w/Black Stainless Knobs NGM8046UC



Cooktop over built-in oven combination installation

Refer to the product installation guide for all other measurements.

Oven installation requirements				Cooktop installation requirements (wall spacing)				
When installing an oven or oven with a drawer in combination with a cooktop, a minimum distance between the cabinet floor and countertop (B) is required. Reference the table for dimensions. Refer to the oven installation guide for all other measurements.								
Oven type	A Inches (mm)	B min. Inches (mm)	C max. Inches (mm)	Gas cooktop (1) min. Inches (mm)	Gas cooktop (2) min. Inches (mm)	Gas cooktop (3) min. Inches (mm)	Electric cooktop	Induction cooktop
Conventional oven (1)	28 1/4 (718)	31 1/4 (794)	4 3/4 (121)	D: 24 (610) E: 24 (610)	D: 3 (76) E: 4 (102)	D: 24 (610) E: 24 (610)	Reference Product Installation Instructions	
Conventional oven (2)	23 (584)	27 3/4 (705)	8 1/4 (210)	D: 24 (610) E: 24 (610)	D: 3 (76) E: 4 (102)	D: 24 (610) E: 24 (610)	Reference Product Installation Instructions	
Conventional oven (3)	23 1/16 (585)	27 13/16 (707)	8 3/16 (208)	D: 24 (610) E: 24 (610)	D: 3 (76) E: 4 (102)	D: 24 (610) E: 24 (610)	Reference Product Installation Instructions	
Steam oven	19 1/4 (488)	23 3/8 (594)	12 5/8 (321)	D: 24 (610) E: 24 (610)	D: 3 (76) E: 4 (102)	D: 24 (610) E: 24 (610)	Reference Product Installation Instructions	
Steam oven with 4" storage drawer								
Speed oven (2)	17 3/4 (450)	22 1/2 (572)	13 1/2 (343)	D: 24 (610) E: 24 (610)	D: 3 (76) E: 4 (102)	Reference Product Installation Instructions		
Microwave speed oven (1)	19 1/4 (488)	24 (609)	12 (306)	D: 24 (610) E: 24 (610)	D: 3 (76) E: 4 (102)	Reference Product Installation Instructions		
Microwave speed oven (1) with warming drawer	28 1/4 (718)	31 1/4 (794)	4 3/4 (121)	D: 24 (610) E: 24 (610)	D: 3 (76) E: 4 (102)	Reference Product Installation Instructions		
Drawer microwave	14 13/16 (376)	20 (508)	16 (406)	D: 24 (610) E: 24 (610)	D: 3 (76) E: 4 (102)	Reference Product Installation Instructions		



Accessories: To purchase Bosch accessories, cleaners & parts please visit www.bosch-home.com/us/store or call 1-800-944-2904 (Mon to Fri 5 am to 6 pm PST, Sat 6 am to 3 pm PST).

Notes: All height, width and depth dimensions are shown in inches. BSH reserves the absolute and unrestricted right to change product materials and specifications, at any time, without notice. Consult the product's installation instructions for final dimensional data and other details prior to making cutout.

Warranties: Please see Use & Care manual or Bosch website for statement of limited warranty.

For more information on our entire line of products, go to www.bosch-home.com/us or call 1-800-944-2904

© BSH Home Appliances Corporation. All rights reserved. Bosch is a registered trademark of Robert Bosch GmbH.