



# White-Westinghouse

## Factory Parts Catalog

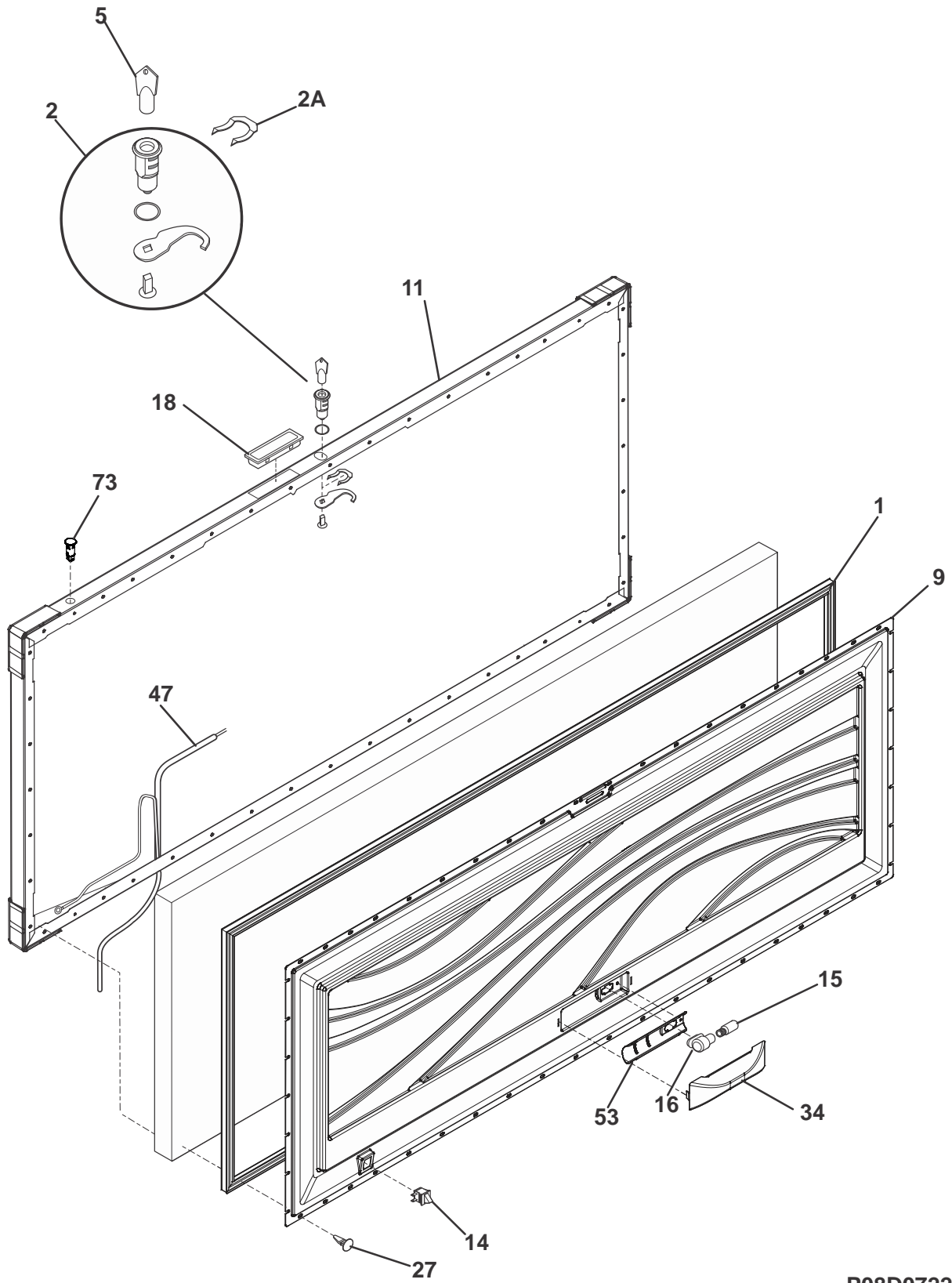
Product No.	WWFC18M4RCA
Series	134A
Color	Camo
Volts	115
Wiring Diagram	A02384402
Owner's Guide	A04704301
Market	North America
Energy Guide	A01023310

### **FREEZER CHEST**

Model No.  
**WWFC18M4RC**

Publication No.  
**5995666343**  
15/08/27  
(EN/SERVICE/)  
365

DOOR



P08D0722

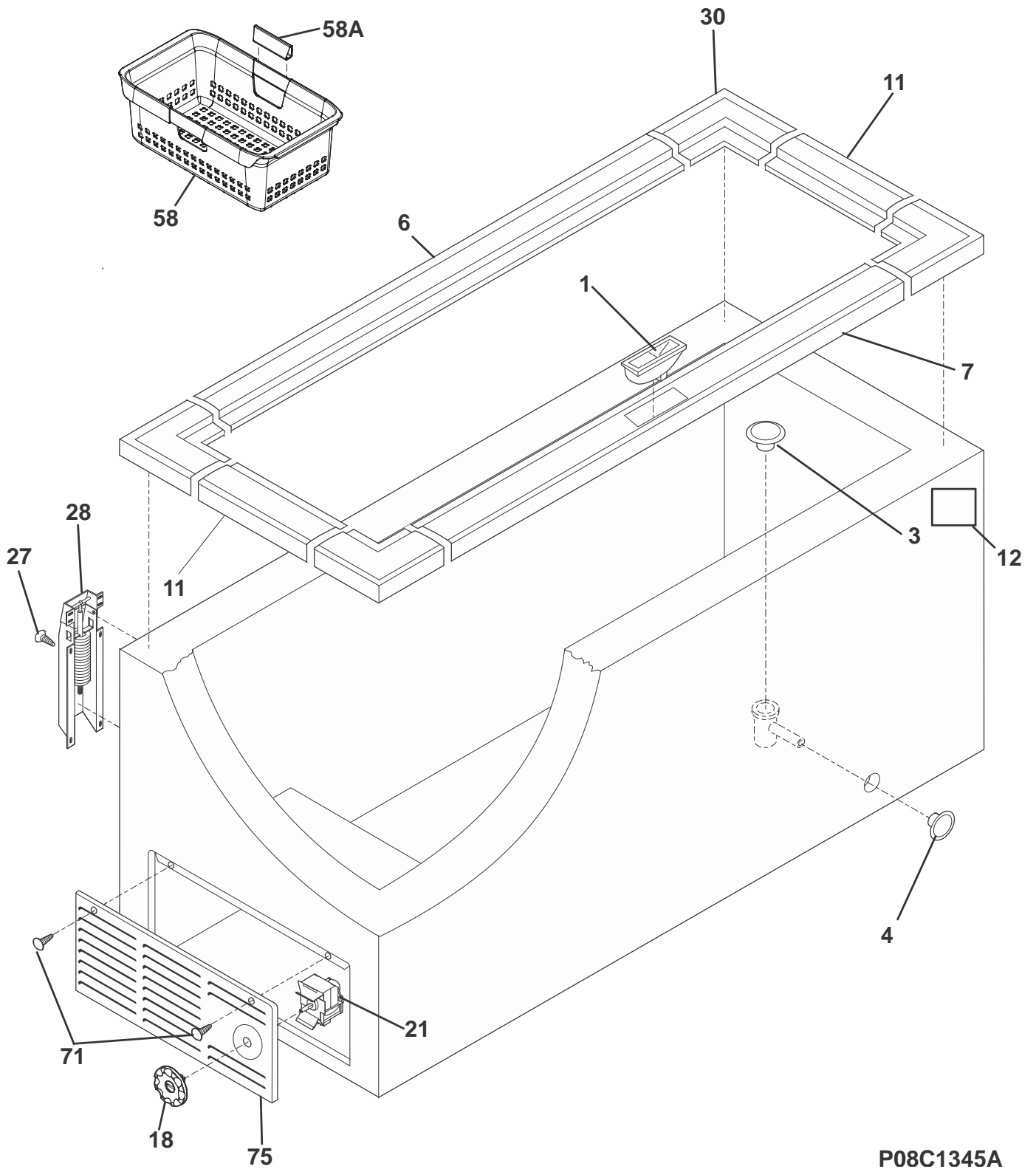
---

**DOOR**


---

POS. NO	PART NO.	DESCRIPTION
1	216481414	Gasket, lid seal, black
2	297090100	Lock Assy
2A	297090900	Clip, spring
5	297147700	Key, lock
9	297376100	Panel-inner door, frzr
11	216125302	Lid, assy, Camo
14	216822900	Switch, light/lamp, ramp
15	216846400	Light Bulb/Lamp
16	297139501	Socket, light/lamp, 25 W
18	297034201	Handle, recessed, black, includes gasket
27	5303212828	Clip, panel mtg
27*	5304406520	Clip, panel mtg kit, (40)
34	297438600	Shield, light
47	216819900	Wiring Harness, lid/defrost, with light
53	5304493988	Shield, heat
73	5304495394	Light signal, round, green
*	5303925098	Insulation
*	216858001	Screw, 8-18x.50 AB, #10

**CABINET**



P08C1345A

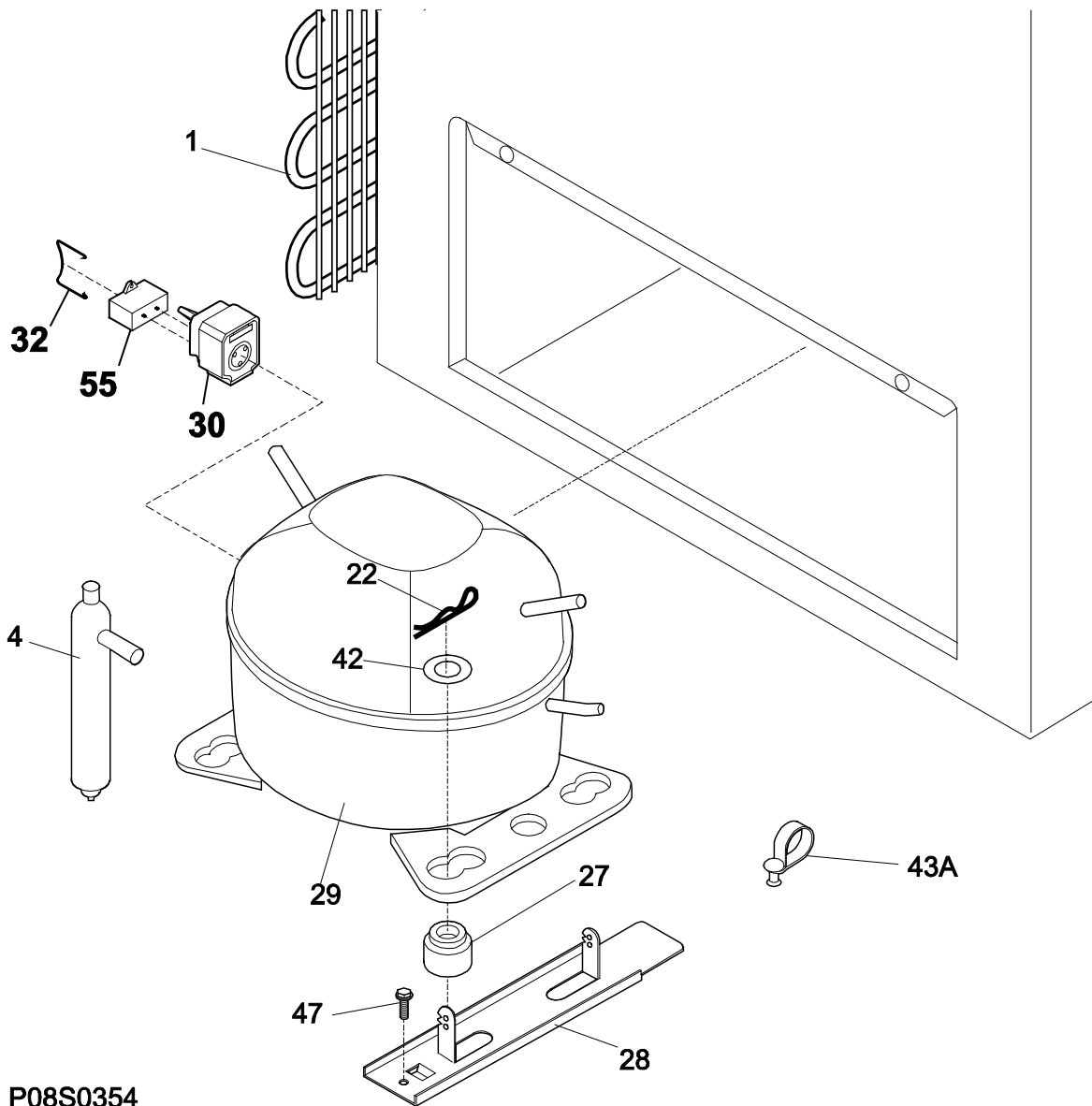
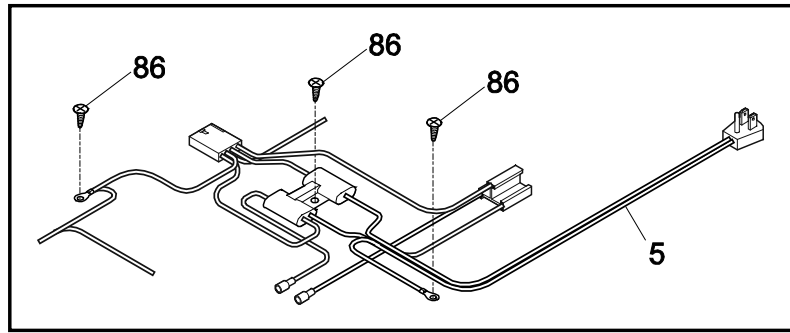
---

**CABINET**


---

POS. NO	PART NO.	DESCRIPTION
1	216954501	Catch-lock, black
3	216502600	Plug, drain, interior
4	297013606	Plug-button, black
6	808118518	Breaker, no lock
7	808118517	Breaker, w/lock
11	808118502	Breaker, end
12	5304503238	Nameplate
18	216873600	Knob-control
21 #	297216036	Control-temperature
27	216629601	Screw, hex washer head, 10-16 x 0.500, tapping
28	297322002	Hinge Assy, black
30	5304493670	Breaker, corner
58	297404101	Basket, chest, white, upper
58A	808408307	Clip, basket handle, black
71	5303302714	Screw, #8-18 x .75
73	5304495394	Light signal, round, green
75	216034303	Panel-access, black
86	216036601	Screw, RWHD, 8-32A x 0.500, GX-CA
*	5304503182	Use & Care Guide
*	5304503046	Energy Guide
*	5303313703	Clip, wire
*	216858001	Screw, 8-18x.50 AB, #10

**SYSTEM**



P08S0354

---

**SYSTEM**


---

POS. NO	PART NO.	DESCRIPTION
1 #	5304494127	Condenser
4 #	297396820	Filter-dryer
5 #	297346212	Harness, main
22	216056401	Clip-compressor mtg
27	5308002681	Grommet, compressor
28	5304464023	Support, compressor
29 #	297438450	Compressor, DJK51C
30	297259505	Controller, compressor
32	216954300	Clip, controller
42	216232701	Washer, flat
43A	5303212614	Clip, harness mount
47	216629601	Screw, hex washer head, 10-16 x 0.500, tapping
55 #	216985010	Capacitor, run, 12 MF
86	216036601	Screw, RWHD, 8-32A x 0.500, GX-CA
*	216858001	Screw, 8-18x.50 AB, #10
* #	297439100	Heat Exchanger
*	297102800	Spacer-tube