

SO24TE/S/TH



FEATURES

- 11 cooking modes make meals easy
- Black porcelain interior
- Installs flush or proud with surrounding cabinetry
- Self clean, delayed start, timed cook and more
- Single convection oven for fast, consistent cooking
- Quicker preheat for faster meal prep
- Adjustable oven rack plus porcelain-coated pan
- Hidden bake element and recessed broil element
- Rigorously tested in our U.S. manufacturing facilities for decades of use
- Exceptional 24/7 support from our Customer Care team in Madison
- Temperature probe lets you know when it's done
- Dual halogen lights for better interior views

ACCESSORIES

- Solid Pan 12 3/4" x 1 1/2" x 7"
- Solid Pan 12 3/4" x 1 1/4" x 14"
- Solid Pan 17 3/4" x 1 1/4" x 15"
- Full Extension Rack Guides
- Porcelain Baking Sheet
- Oven Rack
- Pro Handle

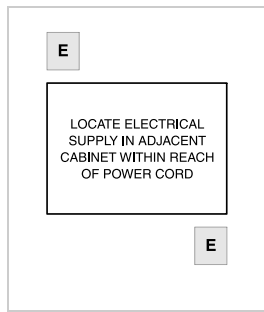
Accessories available through an authorized Sub-Zero dealer.
For local dealer information, visit subzero-wolf.com/locator.



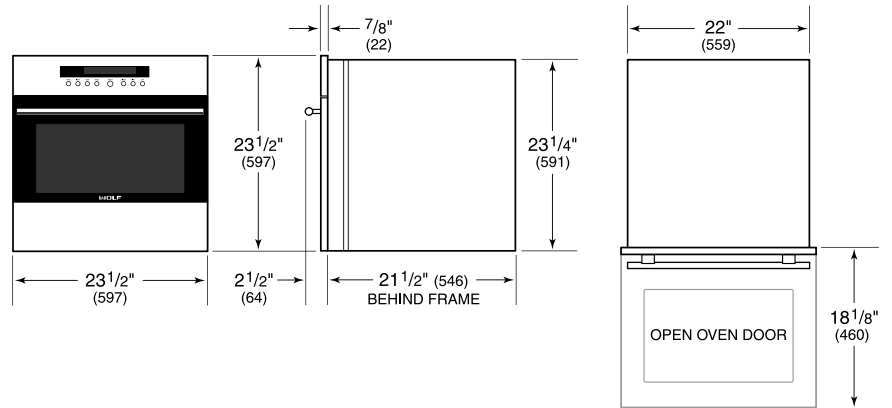
PRODUCT SPECIFICATIONS

| | |
|----------------------------|--------------------------------|
| Model | SO24TE/S/TH |
| Dimensions | 23 1/2"W x 23 1/2"H x 21 1/2"D |
| Oven 1 Interior Dimensions | 18"W x 13 3/4"H x 16"D |
| Overall Capacity | 2.4 cu ft |
| Usable Capacity | 1.6 cu ft |
| Door Clearance | 18 1/8" |
| Weight | 80 lb |
| Electrical Supply | 240/208 VAC, 60 Hz |
| Electrical Service | 20 amp dedicated circuit |
| Power Cord Length | 6 feet |
| Receptacle | NEMA 6-20R grounding-type |

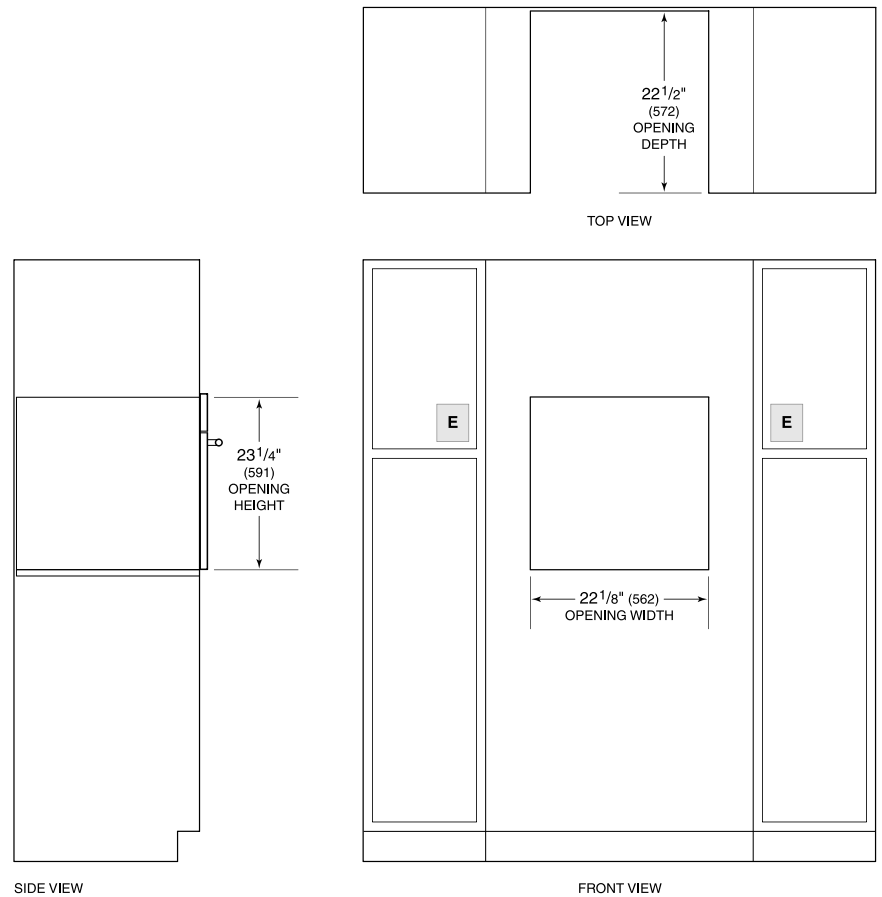
ELECTRICAL



DIMENSIONS



STANDARD INSTALLATION



NOTE: Electrical supply must be located in adjacent cabinet within 3' (.9 m) of opening.