

SO24TE/S/TH



FEATURES

- 11 cooking modes make meals easy
- Black porcelain interior
- Installs flush or proud with surrounding cabinetry
- Self clean, delayed start, timed cook and more
- Single convection oven for fast, consistent cooking
- Quicker preheat for faster meal prep
- Adjustable oven rack plus porcelain-coated pan
- Hidden bake element and recessed broil element
- Rigorously tested in our U.S. manufacturing facilities for decades of use
- Exceptional 24/7 support from our Customer Care team in Madison
- Temperature probe lets you know when it's done
- Dual halogen lights for better interior views

ACCESSORIES

- Solid Pan 12 3/4" x 1 1/2" x 7"
- Solid Pan 12 3/4" x 1 1/4" x 14"
- Solid Pan 17 3/4" x 1 1/4" x 15"
- Full Extension Rack Guides
- Porcelain Baking Sheet
- Oven Rack
- Pro Handle

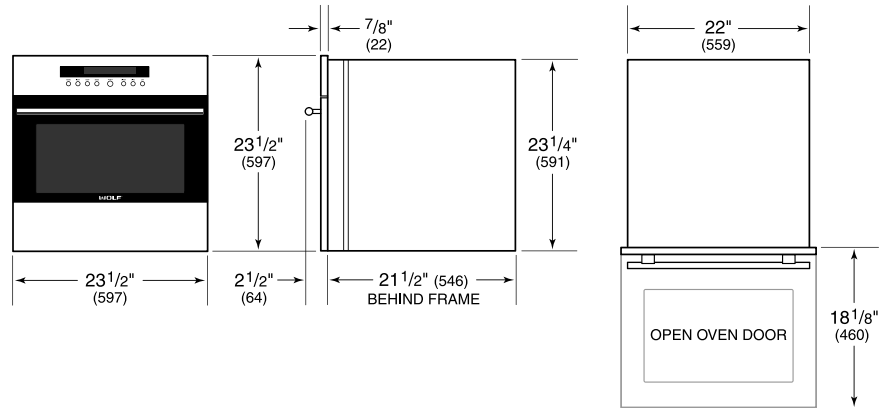
Accessories available through an authorized Sub-Zero dealer.
For local dealer information, visit subzero-wolf.com/locator.



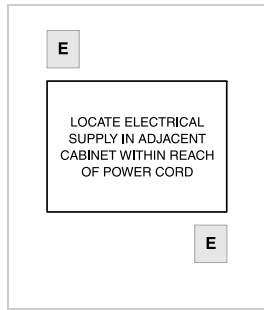
PRODUCT SPECIFICATIONS

Model	SO24TE/S/TH
Dimensions	23 1/2"W x 23 1/2"H x 21 1/2"D
Oven 1 Interior Dimensions	18"W x 13 3/4"H x 16"D
Overall Capacity	2.4 cu ft
Usable Capacity	1.6 cu ft
Door Clearance	18 1/8"
Weight	80 lb
Electrical Supply	240/208 VAC, 60 Hz
Electrical Service	20 amp dedicated circuit
Power Cord Length	6 feet
Receptacle	NEMA 6-20R grounding-type

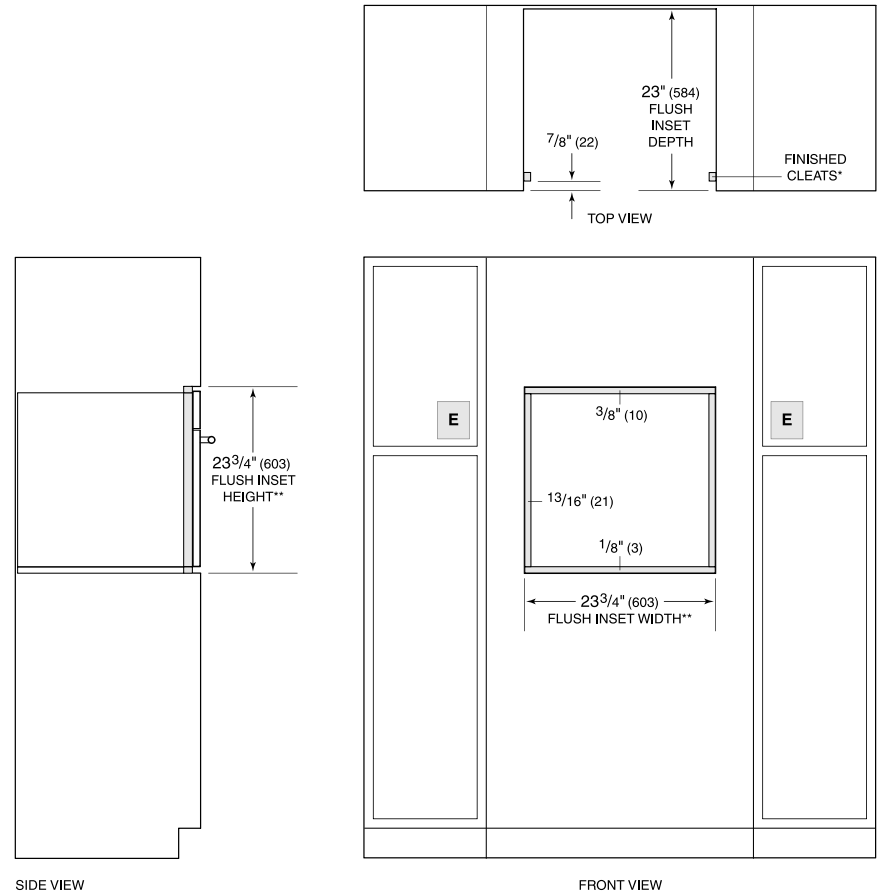
DIMENSIONS



ELECTRICAL



FLUSH INSTALLATION



*Will be visible and should be finished to match cabinetry.
 **Dimension provides minimum reveals.
 NOTE: Electrical supply must be located in adjacent cabinet within 3' (.9 m) of opening.