

UC-24C



## FEATURES

Temperature range from 34° F to 45° F for refrigerator, -5° F to 5° F in freezer

Bright interior lighting

Easy-access touch control panel

Spill-proof glass shelves for easy clean-ups

Roller-glide wine shelf holds eight 750 ml bottles

Two-liter bottle storage in door

Rigorously tested in our U.S. manufacturing facilities to ensure decades of use

Exceptional 24/7 support from Madison, WI-based Customer Care team

## ACCESSORIES

Stainless steel front panels with tubular or pro handles

Door lock

Silver or black dual wide kickplate

Stainless steel pro handles

Stainless steel tubular handles

Accessories are available through an authorized Sub-Zero dealer. For local dealer information, visit [subzero-wolf.com/locator](http://subzero-wolf.com/locator).



## HANDLE ACCESSORIES

PRO



TUBULAR



## PRODUCT DETAILS

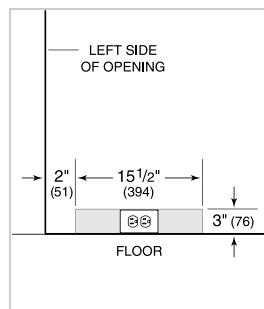
### REFRIGERATOR

- 1 Wine storage rack
- 1 Adjustable glass shelf
- 1 Stationary solid shelf

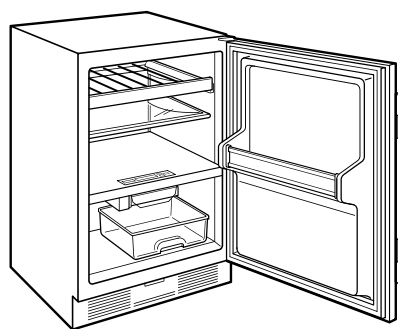
**PRODUCT SPECIFICATIONS**

Model	UC-24C
Dimensions	23 7/8"W x 34"H x 24"D
Door Clearance	25 3/8"
Weight	130 lb
Refrigerator Capacity	3.6 cu ft
Freezer Capacity	1.1 cu ft
Electrical Supply	115 VAC, 60 Hz
Electrical Service	15 amp dedicated circuit
Plumbing Supply	1/4" OD copper, braided stainless steel or PEX tubing
Plumbing Pressure	20–100 psi
Wine Storage Capacity	8 bottles
Receptacle	3-prong grounding-type

**ELECTRICAL**

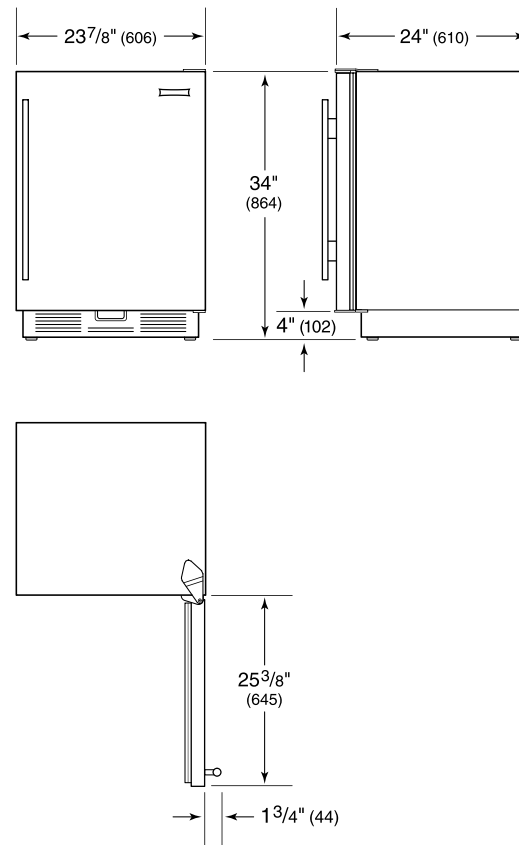


**INTERIOR VIEW**



This illustration is intended for interior reference only and may not represent the exterior of the model being specified.

**DIMENSIONS**



**STANDARD INSTALLATION**

