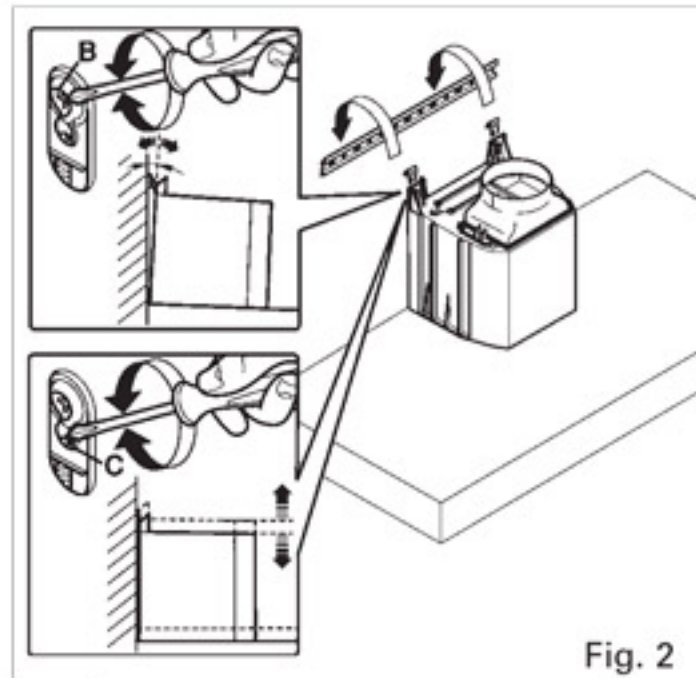
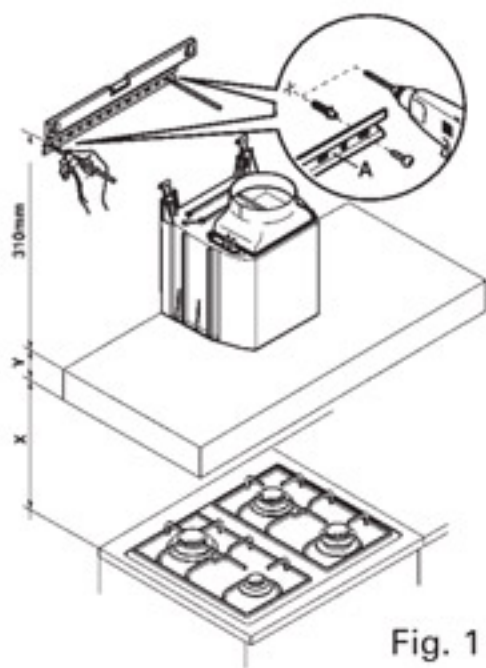


# O

## MOUNTING INSTRUCTIONS, RANGE HOODS WITH BOX

### Step 1

- Rest the support bar against the wall (A-Fig. 1) at a height from the cooktop determined by the sum of the distance  $X+Y+310\text{mm}$ .
- Check the horizontal alignment with a spirit level and mark the 2 holes to be drilled at the ends of the bar.
- Drill the holes, insert 2 x 8mm dia. screw anchors, and fasten the bar using the corresponding screws.



## Step 2

- Hook the range hood to the support bar (Fig. 2).
- Adjust the alignment of the range hood using the screws on the brackets (Fig. 2). The top screw (B) adjust the distance from the wall, the bottom screw (C) adjust the height.

## Step 3

- To prevent the range hood from detaching due to pressure from below, fasten it to the wall using a screw anchor and screw, through the corresponding hole (Fig. 3) on the rotor box or inside the hood.
- Insert the duct (E) on the ducting connection (D). Hood assembly instructions.

## Step 4

Place element (G) onto the chimney until is fully inserted.

- Fix the extension (H) to element (G), sliding it to the desired height.
- Once having found the optimum position, rest the bracket (L) against the wall, check the horizontal alignment using a spirit level and mark the 2 holes to be drilled at the ends.
- Drill the holes, insert 2 x 4mm dia. screw anchors and fasten the bracket (L) using the corresponding screws.
- Tighten the extension (H) to the bracket (L) using the screws (M).

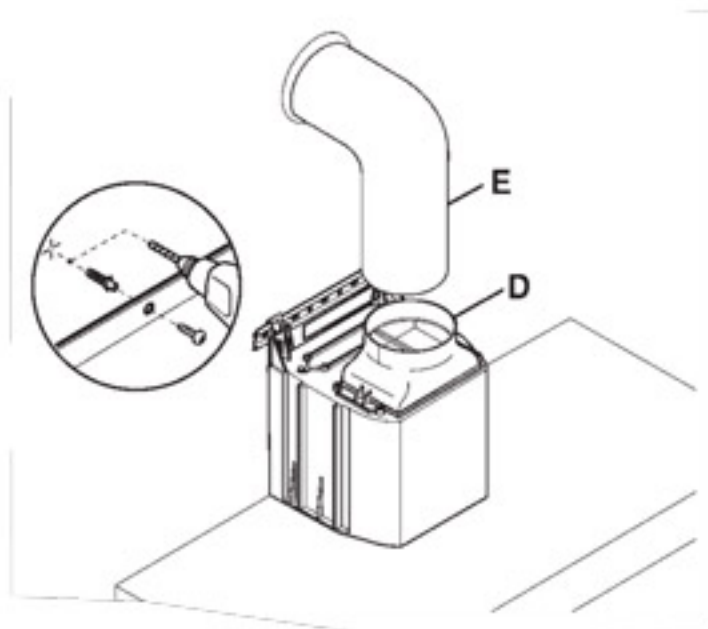


Fig. 3

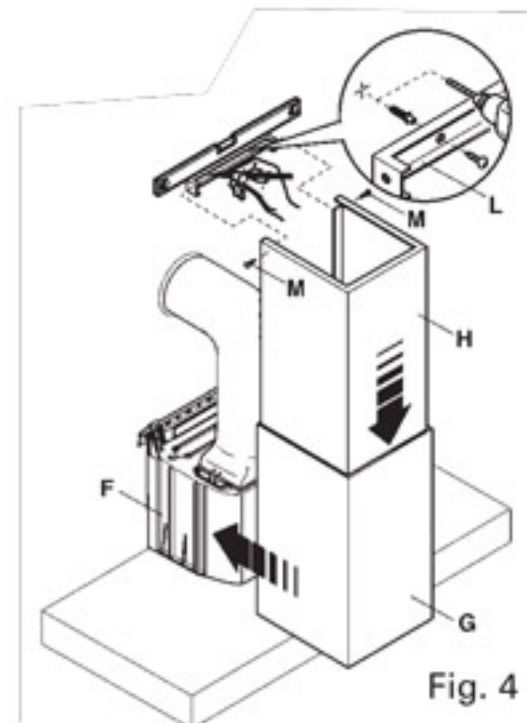


Fig. 4