

UNDERCOUNTER DISHWASHER INSTALLATION INSTRUCTIONS

INSTRUCTIONS D'INSTALLATION DU LAVE- VAISSELLE ENCASTRÉ

Table of Contents / Table des matières

DISHWASHER SAFETY	SÉCURITÉ DU LAVE-VAISSELLE
2	16
INSTALLATION REQUIREMENTS	EXIGENCES D'INSTALLATION
2	16
Location Requirements	Outillage et composants
3	16
Electrical Requirements	Exigences d'emplacement
4	17
Water Supply Requirements.....	Spécifications électriques
5	18
Drain Requirements	Spécifications de l'alimentation en eau
5	19
INSTALLATION INSTRUCTIONS	Évacuation de l'eau de lavage— Critères à respecter
5	19
Prepare Cabinet Opening—Existing Utility Hookups	INSTRUCTIONS D'INSTALLATION
5	19
Prepare Cabinet Opening—No Existing Utility Hookups.....	Préparation de l'espace d'installation entre les placards— Utilisation
7	des modes de raccordement existants pour canalisations et câblage... 21
Install Dishwasher	Préparation de l'emplacement d'installation entre les placards
10	lorsque les canalisations et câbles n'ont pas été installés..... 21
Make Electrical Connections—Direct Wire Method	Installation du lave-vaisselle.....
12	24
Make Electrical Connections—Power Supply Cord Method.....	Raccordement au réseau électrique—Câblage direct
12	26
Connect Dishwasher to Water Supply	Raccordement au réseau électrique—Cordon d'alimentation
13	27
Connect Dishwasher to Drain.....	Raccordement à la canalisation d'arrivée d'eau.....
13	28
Attach Dishwasher to Cabinet.....	Raccordement à l'évacuation
14	28
Complete Installation	Immobilisation du lave-vaisselle dans la cavité d'encastrement
14	28
	Achever l'installation.....
	29

IMPORTANT:

Save for local electrical inspector's use.

Installer: Leave installation instructions with the homeowner.

Homeowner: Keep installation instructions for future reference.

IMPORTANTE:

Guarde para tenerlas a disposición del inspector de electricidad local.

Instalador: Deje las instrucciones de instalación con el propietario.

Propietario: Conserve las instrucciones de instalación para referencia futura.

IMPORTANT :

Conserver pour consultation par l'inspecteur local des installations électriques.

Installateur : Remettre les instructions d'installation au propriétaire.

Propriétaire : Conserver les instructions d'installation pour référence ultérieure.

Models/Modèles WDF550SAAW WDF550SAAB WDF550SAAS

W10518038

DISHWASHER SAFETY

Your safety and the safety of others are very important.

We have provided many important safety messages in this manual and on your appliance. Always read and obey all safety messages.



This is the safety alert symbol.

This symbol alerts you to potential hazards that can kill or hurt you and others.

All safety messages will follow the safety alert symbol and either the word "DANGER" or "WARNING."

These words mean:

⚠ DANGER

You can be killed or seriously injured if you don't immediately follow instructions.

⚠ WARNING

You can be killed or seriously injured if you don't follow instructions.

All safety messages will tell you what the potential hazard is, tell you how to reduce the chance of injury, and tell you what can happen if the instructions are not followed.



⚠ WARNING

Tip Over Hazard

Do not use dishwasher until completely installed.

Do not push down on open door.

Doing so can result in serious injury or cuts.

You need to:

- Slowly open dishwasher door while someone grasps the rear of the dishwasher. Remove shipping materials. Close dishwasher door. Latch the dishwasher door shut.
- Observe all governing codes and ordinances.
- Install this dishwasher as specified in these instructions.
- Have everything you need to properly install dishwasher.
- Contact a qualified installer to ensure that dishwasher is installed to meet all electrical and plumbing national and local codes and ordinances.

INSTALLATION REQUIREMENTS

Tools and Parts

Gather the required tools and parts before starting installation. Read and follow the instructions provided with any tools listed here.

Tools Needed

- Phillips screwdriver
- Flat-blade screwdriver
- Measuring tape or ruler
- 1/2", 3/4" and 1 1/2" (1.3 mm, 1.9 mm and 3.8 cm) hole saw bits
- Shallow pan
- 6" (15.2 cm) adjustable wrench
- Small tubing cutter
- Level
- Cordless drill
- 1/8" drill bit
- Flashlight

Parts Needed

- 90° elbow with 3/8" N.P.T. external threads on one end
 - 1 1/2" to 2" (3.8 cm to 5.1 cm) screw-type clamp
 - Clamp connector (strain relief) to fit 7/8" (22.2 cm) diameter hole
 - 1 1/2" to 2" (3.8 cm to 5.1 cm) screw-type clamp if connecting to waste-tee
- NOTE:** The other end must fit the water supply line.
- Thread seal tape
 - 3 UL listed wire nuts
 - Copper tubing (3/8" recommended)

Parts Supplied

Check that all parts are included. See separate parts list for accessories available for your dishwasher.



A. #8 x 5/8" Phillips flat-head wood screws
B. Phillips color-matched toe-kick screws

Location Requirements

IMPORTANT: Observe all governing codes and ordinances. Failure to meet codes and ordinances could lead to fire or electrical shock.

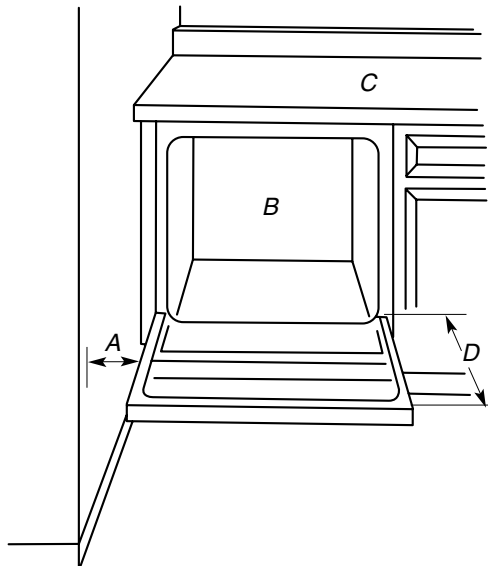
Proper installation is your responsibility.

- Contact a qualified installer to ensure that the dishwasher is installed to meet all electrical and plumbing national and local codes and ordinances.
- Install the dishwasher as specified in these instructions.
- Have everything you need to properly install dishwasher.
- Protect dishwasher and water lines leading to dishwasher against freezing. Damage from freezing is not covered by the warranty.
- This dishwasher is manufactured for indoor use only.
- Install and level dishwasher on a floor that will hold the weight, and in an area suitable for its size and use.
- Install dishwasher in a location with easy access to water, electricity and drain.
- Fully enclosed on both sides, back, and top.

Minimum Clearances

NOTES:

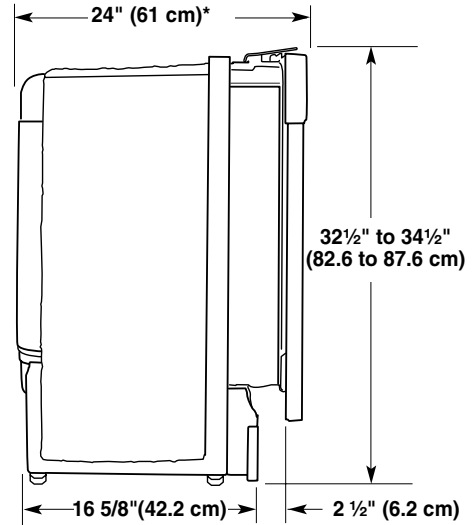
- Corner locations require 2" (5.1 cm) minimum clearance between the side of the dishwasher door and the wall or cabinet.
- A minimum of 25 5/8" (65.1 cm) is required in front of the dishwasher to allow the door to open fully.
- Opening should be square, and the floor should be level.



A. 2" (5.1 cm) minimum clearance for door opening
B. Dishwasher
C. Countertop
D. 25 5/8" (65.1 cm) minimum

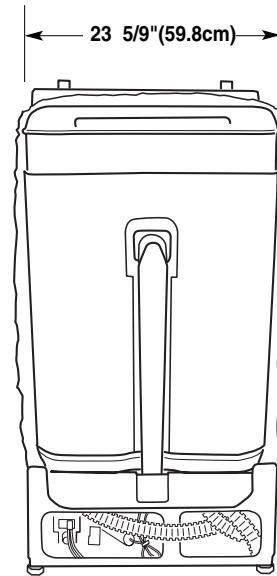
Product Dimensions

Side View



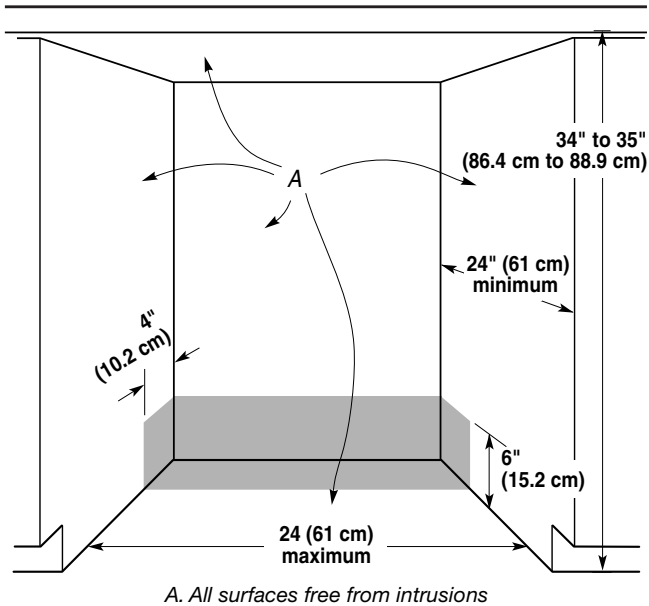
* To front of door frame

Rear View



Installation Clearances

Cutout Dimensions



* Underside of countertop to floor

NOTES:

- Cut holes in shaded area of cabinet walls or floor for plumbing and electrical service.
- ADA installation—32½" (82.5 cm) beneath 34" (86.4 cm) high countertops may be accomplished by adjusting the toekick and leveling legs.

Electrical Requirements

⚠ WARNING



Electrical Shock Hazard

Plug into a grounded 3 prong outlet.

Do not remove ground prong.

Do not use an adapter.

Do not use an extension cord.

Failure to follow these instructions can result in death, fire, or electrical shock.

GROUNDING INSTRUCTIONS

■ For a grounded, cord-connected dishwasher:

The dishwasher must be grounded. In the event of a malfunction or breakdown, grounding will reduce the risk of electric shock by providing a path of least resistance for electric current. The dishwasher is equipped with a cord having an equipment-grounding conductor and a grounding plug. The plug must be plugged into an appropriate outlet that is installed and grounded in accordance with all local codes and ordinances.

WARNING: Improper connection of the equipment-grounding conductor can result in a risk of electric shock. Check with a qualified electrician or service representative if you are in doubt whether the dishwasher is properly grounded. Do not modify the plug provided with the dishwasher; if it will not fit the outlet, have a proper outlet installed by a qualified electrician.

■ For a permanently connected dishwasher:

The dishwasher must be connected to a grounded metal, permanent wiring system, or an equipment-grounding conductor must be run with the circuit conductors and connected to the equipment-grounding terminal or lead on the dishwasher.

SAVE THESE INSTRUCTIONS

Contact a qualified electrician.

Ensure that the electrical installation is adequate and in conformance with all national and local codes and ordinances.

Requirements:

- 120-volt, 60 Hz, AC-only, 15- or 20-amp fused electrical supply
- Copper wire only, 2 wire with ground

Recommended:

- Time-delay fuse or circuit breaker
- Separate circuit

Direct Wire Connection

- Use flexible, armored or nonmetallic sheathed, copper wire with grounding wire that meets the wiring requirements for your home and local codes and ordinances.

Power Supply Cord Connection

Use Power Supply Cord Kit (Part Number 4317824) marked for use with dishwashers. Kit contents include:

- UL listed 16 gauge 3-wire power supply cord with 3 prong grounding plug
- Neer C-500 ⅞" strain relief
- 3 wire connectors
- Part No. 302797 grommet

Follow the kit instructions for installing the power supply cord.

NOTE: Power supply cord must plug into a mating three prong, grounded outlet, located in the cabinet next to the dishwasher opening. Outlet must meet all local codes and ordinances.

IMPORTANT: If you plan to install a garbage disposal, an additional separate 120-volt, 60 Hz, AC-only, 15- or 20-amp fused electrical supply is required.

Water Supply Requirements

- A hot water line with 20-120 psi (138-862 kPa) water pressure.
 - 120°F (49°C) water temperature at dishwasher.
 - 3/8" O.D. copper tubing with compression fitting or flexible braided water supply line.
- NOTE:** 1/2" minimum plastic tubing is not recommended.
- 90° elbow with 3/8" N.P.T. external pipe threads on one end.

IMPORTANT: Do not solder within 6" (15.2 cm) from water inlet valve.

Drain Requirements

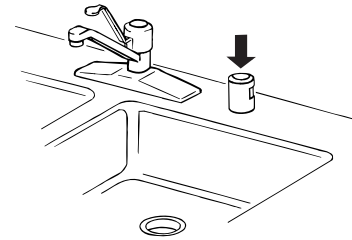
- Use the new drain hose supplied with your dishwasher.
- NOTE:** If a longer drain hose is required:
- Use a new drain hose with maximum length of 10 ft (3 m) that meets all current AHAM/IAPMO test standards
 - Use a new drain hose that is resistant to heat and detergent
 - Use a new drain hose that fits the 1" (2.5 cm) drain connector on the dishwasher.

- Connect drain hose to waste tee or disposal inlet above drain trap in house plumbing.
- Connect drain hose to house plumbing 20" (50.8 cm) minimum above the floor.

NOTE: It is recommended that the drain hose either be looped up and securely fastened to the underside of the counter, or be connected to an air gap.

- Use a drain air gap if the drain hose is connected to house plumbing lower than 18" (45.7 cm) above the subfloor or floor.

Drain Air Gap



- Use 1/2" (1.3 cm) minimum I.D. drain line fittings.

NOTE: Do not connect drain lines from other devices to the dishwasher drain hose.

INSTALLATION INSTRUCTIONS

⚠ WARNING



Electrical Shock Hazard

Disconnect electrical power at the fuse box or circuit breaker box before installing dishwasher.

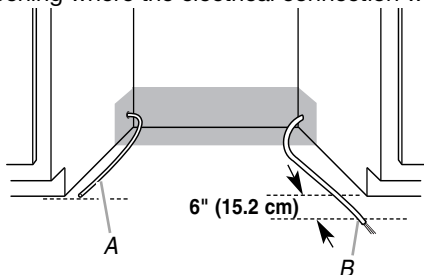
Failure to do so can result in death or electrical shock.

1. Disconnect power.
2. Turn off water supply.

Prepare Cabinet Opening— Existing Utility Hookups

Follow the steps in this section if you are installing the dishwasher in an existing cabinet opening with utility hookups.

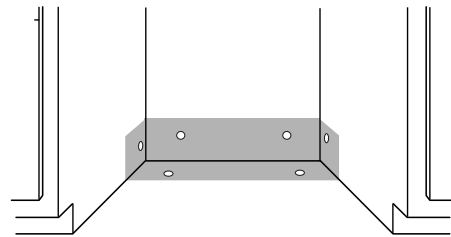
1. Check that the water supply line reaches to the front left-hand side of the opening where the water connection will be made.
2. Check that the direct wire reaches to the front right-hand side of the opening where the electrical connection will be made.



A. Water supply line
B. Direct wire

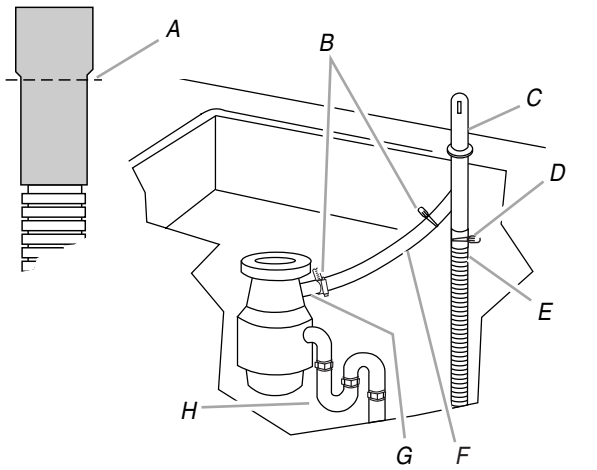
IMPORTANT: Always use a new drain hose even when installing a new replacement dishwasher.

3. Drill a 1 1/2" (3.8 cm) diameter hole in the cabinet wall or floor on the side of the opening closest to the sink.



Connect Drain Hose to Air Gap—Waste Disposal

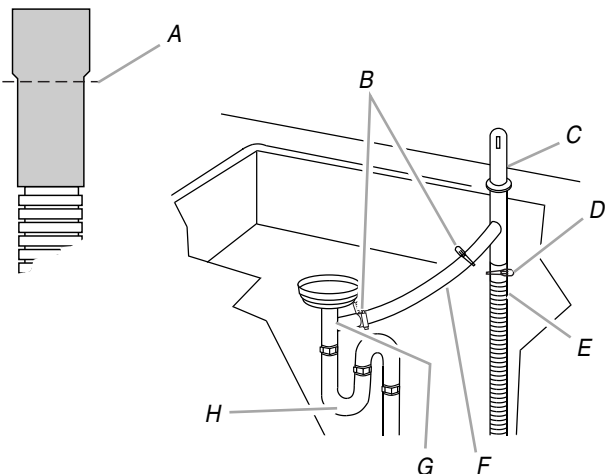
1. Remove the waste disposal knockout plug. Cut the end of the drain hose, if needed.
- NOTE:** Do not cut the ribbed section.
2. Attach the drain hose to the air gap with the large spring-type clamp.
- NOTE:** If the drain hose was cut, use 1 1/2" to 2" (3.8 to 5 cm) screw-type clamp (not provided).
3. Use a rubber hose connector (not provided) with spring- or screw-type clamps (not provided) to connect the air gap to the waste disposal inlet above the drain trap and at least 20" (50.8 cm) above the floor.



- | | |
|-----------------------------------|--------------------------|
| A. Drain hose—cut here, if needed | E. Drain hose |
| B. Spring- or screw-type clamps | F. Rubber hose connector |
| C. Air gap | G. Disposal inlet |
| D. Large spring-type clamp | H. Drain trap |

Connect Drain Hose to Air Gap—No Waste Disposal

1. Cut the end of the drain hose, if needed.
NOTE: Do not cut the ribbed section.
2. Attach the drain hose to the air gap with the large spring-type clamp.
NOTE: If the drain hose was cut, use 1½" to 2" (3.8 to 5 cm) screw-type clamp (not provided).
3. Use a rubber hose connector (not provided) with spring- or screw-type clamps (not provided) to connect the air gap to the waste tee above the drain trap and at least 20" (50.8 cm) above the floor.

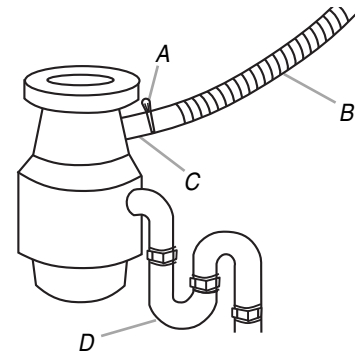


- | | |
|-----------------------------------|--------------------------|
| A. Drain hose—cut here, if needed | E. Drain hose |
| B. Spring- or screw-type clamps | F. Rubber hose connector |
| C. Air gap | G. Waste tee |
| D. Large spring-type clamp | H. Drain trap |

Connect Drain Hose to Waste Disposal—No Air Gap

1. Remove the waste disposal knockout plug.
NOTE: Do not cut the end of the drain hose.
2. Attach the drain hose to the waste disposal inlet with the large spring-type clamp.
This connection must be before the drain trap and at least 20" (50.8 cm) above the floor.

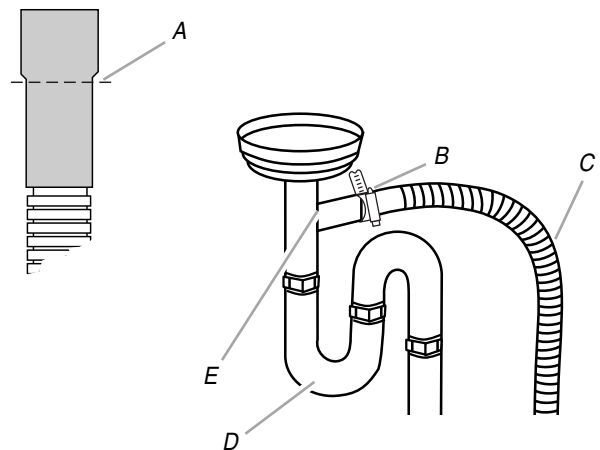
NOTE: It is recommended that the drain hose be looped up and securely fastened to the underside of the counter.



- | | |
|----------------------------|-------------------|
| A. Large spring-type clamp | C. Disposal inlet |
| B. Drain hose | D. Drain trap |

Connect Drain Hose—No Waste Disposal or Air Gap

1. Cut the end of the drain hose, if needed.
NOTE: Do not cut the ribbed section.
2. Attach the drain hose to the waste tee with the 1½" to 2" (3.8 cm to 5 cm) screw-type clamp (not provided).
This connection must be before the drain trap and at least 20" (50.8 cm) above the floor.
NOTE: It is recommended that the drain hose be looped up and securely fastened to the underside of the counter.



- | | |
|-----------------------------------|---------------|
| A. Drain hose—cut here, if needed | D. Drain trap |
| B. Screw-type clamp | E. Waste tee |
| C. Drain hose | |

Prepare Cabinet Opening—No Existing Utility Hookups

⚠ WARNING



Electrical Shock Hazard

Plug into a grounded 3 prong outlet.

Do not remove ground prong.

Do not use an adapter.

Do not use an extension cord.

Failure to follow these instructions can result in death, fire, or electrical shock.

GROUNDING INSTRUCTIONS

■ For a grounded, cord-connected dishwasher:

The dishwasher must be grounded. In the event of a malfunction or breakdown, grounding will reduce the risk of electric shock by providing a path of least resistance for electric current. The dishwasher is equipped with a cord having an equipment-grounding conductor and a grounding plug. The plug must be plugged into an appropriate outlet that is installed and grounded in accordance with all local codes and ordinances.

WARNING: Improper connection of the equipment-grounding conductor can result in a risk of electric shock. Check with a qualified electrician or service representative if you are in doubt whether the dishwasher is properly grounded. Do not modify the plug provided with the dishwasher; if it will not fit the outlet, have a proper outlet installed by a qualified electrician.

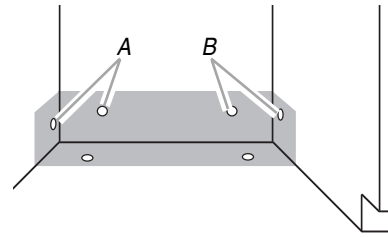
■ For a permanently connected dishwasher:

The dishwasher must be connected to a grounded metal, permanent wiring system, or an equipment-grounding conductor must be run with the circuit conductors and connected to the equipment-grounding terminal or lead on the dishwasher.

SAVE THESE INSTRUCTIONS

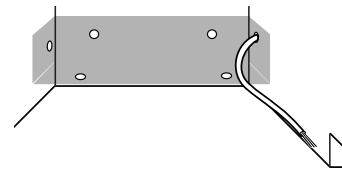
Install Electrical Connection—Direct Wire Method

1. Drill a $\frac{3}{4}$ " (1.9 cm) hole in the right-hand cabinet side, the rear or floor of opening.



A. Optional locations
B. Preferred locations

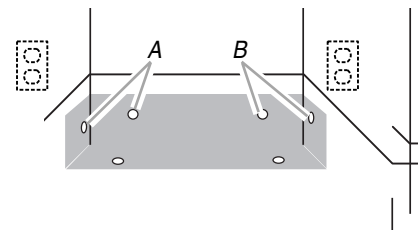
2. If the cabinet is wood, sand hole until smooth. If the cabinet is metal, cover the hole with a grommet (not provided).
3. Route cable from power supply through cabinet hole (cable must extend to the right front side of cabinet opening). Tape cable to the floor 6" in front of unit. This will prohibit cable from moving when dishwasher is moved into cabinet opening".



Install Electrical Connection—Power Supply Cord Method

NOTE: A mating, 3 prong grounded outlet is required in a cabinet next to the dishwasher opening.

1. Drill a $\frac{3}{4}$ " (1.9 cm) hole in the right-hand cabinet side, the rear or floor of opening.

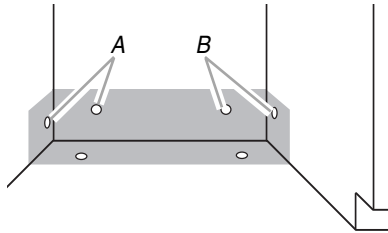


A. Optional locations
B. Preferred locations

2. If the cabinet is wood, sand hole until smooth. If the cabinet is metal, cover the hole with a grommet (Part Number 302797) included with power supply cord kit.

Install Water Line

1. Drill a 1/2" (1.3 cm) hole in the left-hand cabinet side, the rear or floor of opening.



A. Optional locations
B. Preferred locations

2. Measure the overall length of the copper tubing required.
 3. Attach the copper tubing to the water supply line with a manual shutoff valve.
 4. Slowly feed the copper tubing through the hole in the cabinet.
- NOTE:** The copper tubing will bend and kink easily.

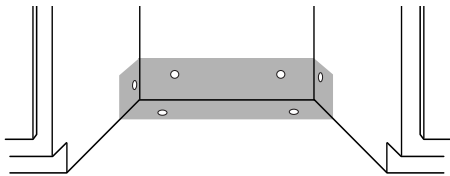
The copper tubing should be far enough into the cabinet opening to connect it to the dishwasher inlet on the front left-hand side of the dishwasher.

5. Turn on the water shutoff valve. Run water into a shallow pan to flush the copper tubing of particles that may clog the inlet valve.
6. Turn off the shutoff valve.

Connect Drain Hose to Air Gap—Waste Disposal

IMPORTANT: Always use a new drain hose even when installing a new replacement dishwasher.

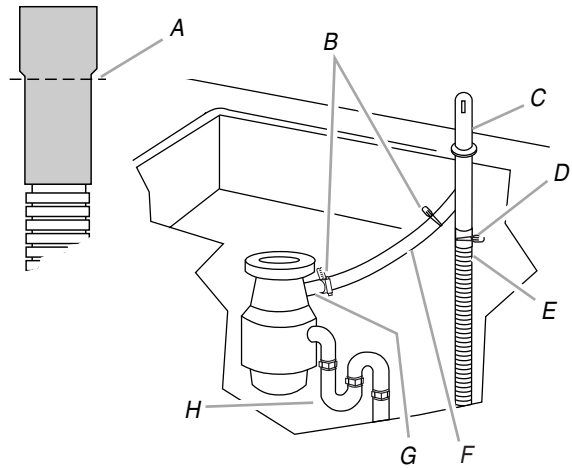
1. Drill a 1 1/2" (3.8 cm) diameter hole in the cabinet wall or floor on the side of the opening closest to the sink.



2. Remove the waste disposal knockout plug. Cut the end of the drain hose, if needed.

NOTE: Do not cut the ribbed section.
3. Attach the drain hose to the air gap with the large spring-type clamp.

NOTE: If the drain hose was cut, use 1 1/2" to 2" (3.8 to 5 cm) screw-type clamp (not provided).
4. Use a rubber hose connector (not provided) with spring- or screw-type clamps (not provided) to connect the air gap to the waste disposal inlet above the drain trap and at least 20" (50.8 cm) above the floor.

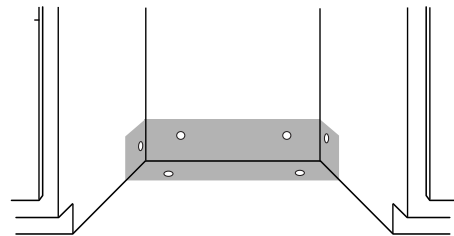


A. Drain hose—cut here, if needed
B. Spring- or screw-type clamps
C. Air gap
D. Large spring-type clamp
E. Drain hose
F. Rubber hose connector
G. Disposal inlet
H. Drain trap

Connect Drain Hose to Air Gap—No Waste Disposal

IMPORTANT: Always use a new drain hose even when installing a new replacement dishwasher.

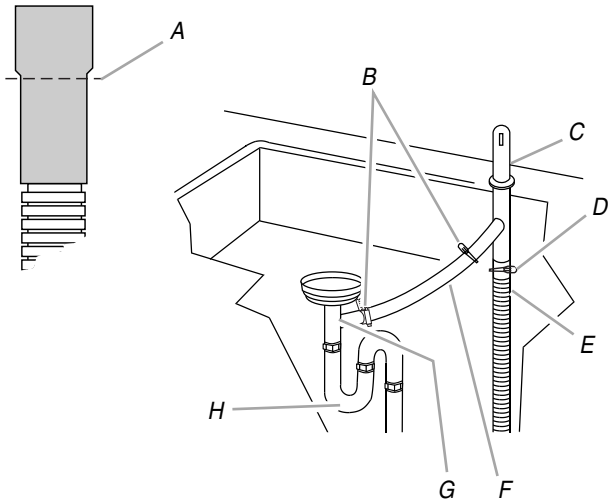
1. Drill a 1 1/2" (3.8 cm) diameter hole in the cabinet wall or floor on the side of the opening closest to the sink.



2. Cut the end of the drain hose, if needed.

NOTE: Do not cut the ribbed section.
3. Attach the drain hose to the air gap with the large spring-type clamp.

NOTE: If the drain hose was cut, use 1 1/2" to 2" (3.8 to 5 cm) screw-type clamp (not provided).
4. Use a rubber hose connector (not provided) with spring- or screw-type clamps (not provided) to connect the air gap to the waste tee above the drain trap and at least 20" (50.8 cm) above the floor.

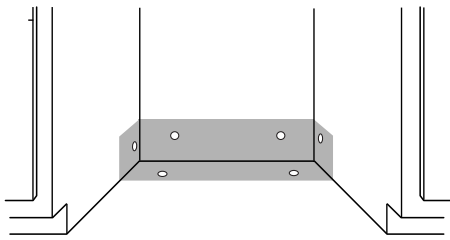


- A. Drain hose—cut here, if needed
 B. Spring- or screw-type clamps
 C. Air gap
 D. Large spring-type clamp
 E. Drain hose
 F. Rubber hose connector
 G. Waste tee
 H. Drain trap

Connect Drain Hose to Waste Disposal—No Air Gap

IMPORTANT: Always use a new drain hose even when installing a new replacement dishwasher.

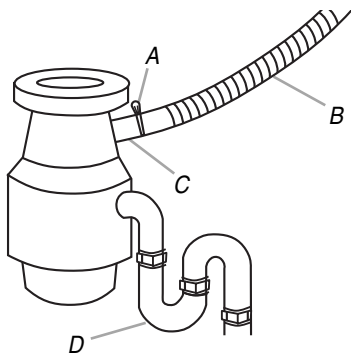
1. Drill a 1½" (3.8 cm) diameter hole in the cabinet wall or floor on the side of the opening closest to the sink.



2. Remove the waste disposal knockout plug.
NOTE: Do not cut the end of the drain hose.
3. Attach the drain hose to the waste disposal inlet with the large spring-type clamp.

This connection must be before the drain trap and at least 20" (50.8 cm) above the floor.

NOTE: It is recommended that the drain hose be looped up and securely fastened to the underside of the counter.

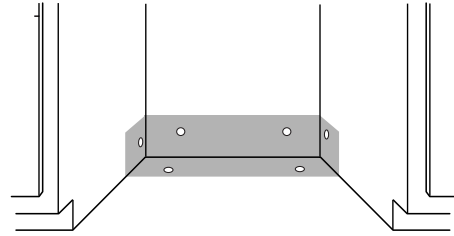


- A. Large spring-type clamp
 B. Drain hose
 C. Disposal inlet
 D. Drain trap

Connect Drain Hose—No Waste Disposal or Air Gap

IMPORTANT: Always use a new drain hose even when installing a new replacement dishwasher.

1. Drill a 1½" (3.8 cm) diameter hole in the cabinet wall or floor on the side of the opening closest to the sink.



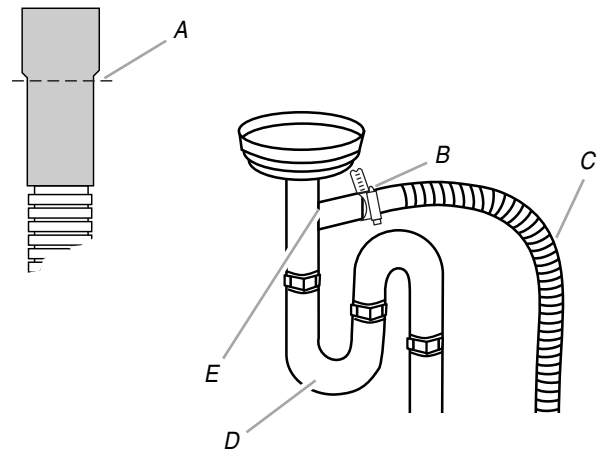
2. Cut the end of the drain hose, if needed.

NOTE: Do not cut the ribbed section.

3. Attach the drain hose to the waste tee with the 1½" to 2" (3.8 cm to 5 cm) screw-type clamp (not provided).

This connection must be before the drain trap and at least 20" (50.8 cm) above the floor.

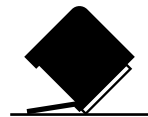
NOTE: It is recommended that the drain hose be looped up and securely fastened to the underside of the counter.



- A. Drain hose—cut here, if needed
 B. Screw-type clamp
 C. Drain hose
 D. Drain trap
 E. Waste tee

Install Dishwasher

⚠ WARNING



Tip Over Hazard

Do not use dishwasher until completely installed.

Do not push down on open door.

Doing so can result in serious injury or cuts.

⚠ WARNING

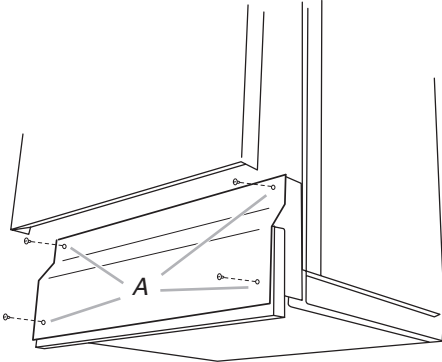
Excessive Weight Hazard

Use two or more people to move and install dishwasher.

Failure to do so can result in back or other injury.

Prepare Dishwasher for Installation

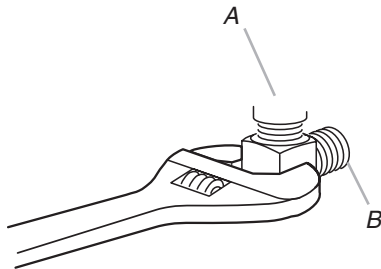
1. Using 2 or more people, place the dishwasher on its back on a piece of cardboard.
2. Using a Phillips screwdriver, remove the 4 screws attaching the toe kick panel and lower panel to the dishwasher.



A. Screws

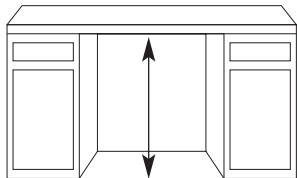
3. Remove both panels and set aside on a protected surface.
4. Apply thread seal tape to 90° elbow fitting and connect fitting to water inlet valve.
5. Tighten elbow until snug.

NOTE: Elbow should face to the rear of the dishwasher.

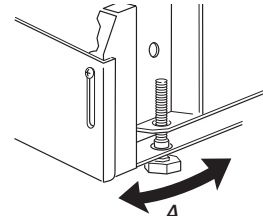


A. Water inlet valve
B. Elbow

6. Remove top screw and slide cover to the right to remove terminal box cover.
 - Direct Wire—Install a U.L. listed/CSA certified clamp connector to the terminal box. If using conduit, use a U.L. listed/CSA certified conduit connector.
 - Power Supply Cord—Install a power supply cord kit that is U.L. listed and marked for use with dishwashers (Part Number 4317824).
7. Measure the shortest opening height between the underside of the countertop and the floor where the dishwasher will be installed.



8. Extend leveling legs out from the dishwasher base, 1/4" less than the shortest opening height.



A. Leveling leg

Check Door Spring Tension

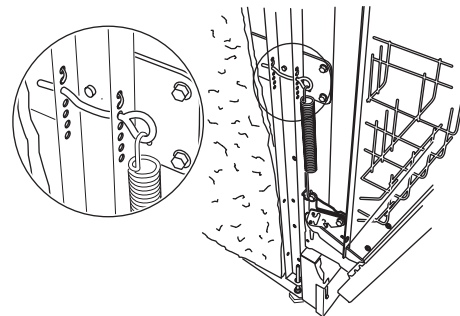
⚠ WARNING

Excessive Weight Hazard

Use two or more people to move and install dishwasher.

Failure to do so can result in back or other injury.

1. Using 2 or more people, place the dishwasher upright in front of cabinet opening.
2. With one person holding the dishwasher to avoid tipping, open and close the dishwasher door a few times. If the door closes too quickly or falls open under its own weight, adjust the tension.
 - If the door closes too quickly, decrease the spring tension by pulling the spring adjustment pin out of its hole and reinsert it into the next lower hole toward the back of the dishwasher.
 - If the door falls open, increase the spring tension by pulling the spring adjustment pin out of its hole and reinserting it into the next higher hole toward the top of the dishwasher.
 - Do not remove the tie wrap in the top holes. The top two holes should not be used.

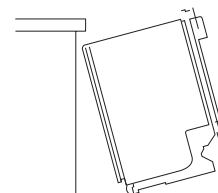


NOTE: The spring adjustment pins should be in the same holes on both the left-hand and right-hand sides of the dishwasher.

Move Dishwasher into Cabinet Opening

1. Using 2 or more people, grasp the sides of the dishwasher at the edges of the door panel and move dishwasher close to the cabinet opening.

NOTE: Do not push on the front of the panel or on the console to avoid bending or denting them.



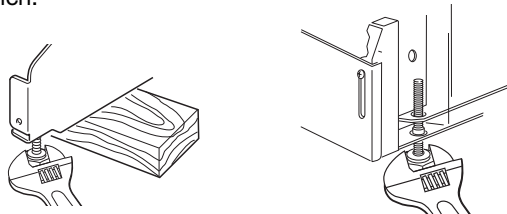
- If direct wired, check that the power supply wire is on the right-hand side at the front of the cabinet opening.
If using a power supply cord, insert the power supply cord through the hole cut in the cabinet wall.
- Check that the water supply line is on the left-hand side of the cabinet opening.
- Check that the drain hose is near the center and insert the drain hose through the hole in the cabinet.
- Slowly move the dishwasher into place inside the cabinet opening with the front corners of the dishwasher door flush with the cabinet doors.

NOTES:

- Do not kink or pinch the copper tubing, drain hose, power supply cord or the direct wire between the dishwasher and the cabinet.
 - Do not remove the insulation blanket from dishwasher to allow the dishwasher to fit easier into the cabinet opening. The insulation blanket reduces the sound level when the dishwasher is operating.
- If needed, support the front of the dishwasher by raising, lowering or shimming the front legs.
 - Remove cardboard from beneath the dishwasher.

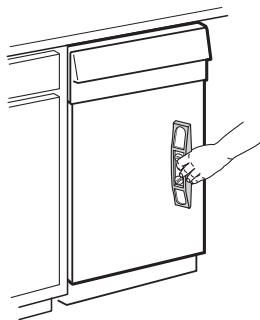
Level the Dishwasher

- Align the front of the dishwasher door panel with the cabinet doors by adjusting the front legs using the 6" adjustable wrench.

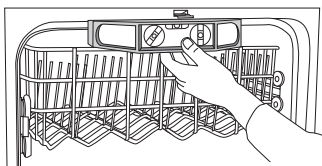


- Check that the leveling legs are firmly against the floor.
- Close and latch the dishwasher door.
- Place a level against the front panel above the leg to check that the dishwasher is plumb. If needed, adjust the leveling leg or add shims until the dishwasher is plumb.

NOTE: Shims must be securely attached to the floor to avoid their movement during dishwasher operation.



- Repeat for the other side of the dishwasher.
- Place the level against the top front opening of the tub. Check that the dishwasher is level from side to side. If the dishwasher is not level, adjust the front legs up or down until the dishwasher is level.



**Make Electrical Connections—
Direct Wire Method**

Review “Electrical Requirements” before continuing.

! WARNING



Electrical Shock Hazard

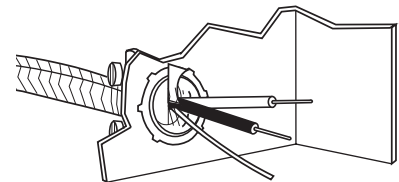
Electrically ground dishwasher.

Connect ground wire to green ground connector in terminal box.

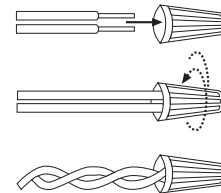
Do not use an extension cord.

Failure to follow these instructions can result in death, fire, or electrical shock.

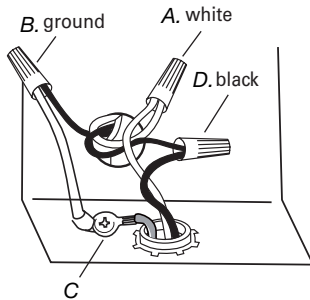
- Route the direct wire so that it does not touch the dishwasher motor or lower part of the dishwasher tub.
- Pull cable through UL listed / CSA approved strain relief in terminal box. Strain relief is not provided with dishwasher. Owner must purchase a 7/8" screw-in type strain relief.



- Using twist-on connectors sized to connect direct wire to 16-gauge dishwasher wire, connect the white wire from the power supply to the white wire on the terminal box.



- Using twist-on connectors sized to connect direct wire to 16-gauge dishwasher wire, connect the black wire from the power supply to the black wire on the terminal box.
- Using twist-on connectors sized to connect direct wire to 16-gauge dishwasher wire, connect the ground wires from the power supply to the green ground dishwasher wire.



- A. White wire to white wire
- B. Ground wires to green ground connector
- C. Grounding screw
- D. Black wire to black wire

6. Tighten the clamp connector or conduit connector screws.
7. Reinstall the terminal box cover with the wires inside terminal box.
8. Check that no wires are pinched by the cover.

Make Electrical Connections—Power Supply Cord Method

⚠ WARNING

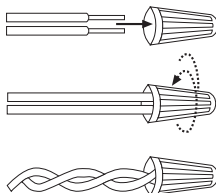


Electrical Shock Hazard

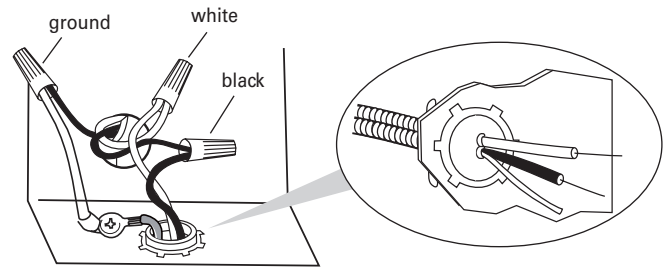
- Plug into a grounded 3 prong outlet.**
- Do not remove ground prong.**
- Do not use an adapter.**
- Do not use an extension cord.**
- Failure to follow these instructions can result in death, fire, or electrical shock.**

The power supply cord and connections must comply with the National Electrical Code, Section 422 and/or local codes and ordinances. Recommended power supply cord length is 54" (137.2 cm) minimum and 64" (162.6 cm) maximum. Use UL listed power supply cord kit (part number 4317824).

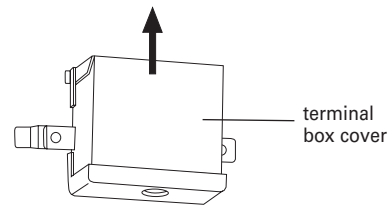
1. Remove the terminal box cover.
2. Using twist-on connectors sized to connect direct wire to 16-gauge dishwasher wire, connect the white wire from the power supply cord to the white wire on the terminal box.



3. Using twist-on connectors sized to connect direct wire to 16-gauge dishwasher wire, connect the black wire from the power supply cord to the black wire on the terminal box.
4. Using twist-on connectors sized to connect direct wire to 16-gauge dishwasher wire, connect the ground wire from the power supply cord to the green ground dishwasher wire.



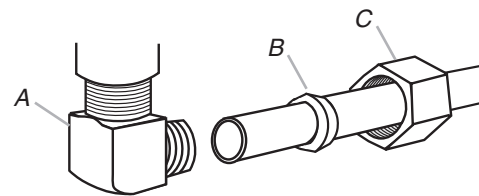
Power supply wire: Terminal box wire:
 white ↔ white
 black ↔ black
 ground wire ↔ ground wire



5. Reinstall the terminal box cover with the wires inside terminal box.
6. Check that no wires are pinched by the cover.
7. Plug power supply cord into a grounded 3 prong outlet.
8. Check that the power supply cord does not touch the dishwasher motor or lower part of dishwasher tub.

Connect Dishwasher to Water Supply

1. Route the water supply line so that it does not touch the dishwasher base, frame or motor.
 2. Slide the nut onto the copper tubing about 1" (2.5 cm).
 3. Slide the ferrule onto the tubing.
- NOTE:** Do not position ferrule on the end of the tubing.

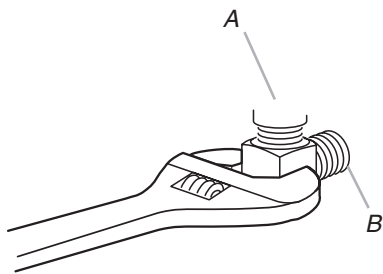


- A. Elbow
- B. Ferrule
- C. Nut

4. Push the tubing into the elbow as far as it will go.
5. Slide the nut and ferrule forward and start the nut onto the elbow threads. Avoid bending or kinking the copper tubing.
6. With the copper tubing pushed into the compression fitting as far as it will go, use a wrench and tighten the compression fitting nut to elbow on water inlet valve.
7. With flexible braided connections, secure nut to elbow using 5/8" open ended wrench or adjustable wrench.

NOTE: Do not use Teflon® tape with compression fittings.

® Teflon is a registered trademark of E.I. DuPont de Nemours and Company.



A. Water inlet valve
B. Elbow

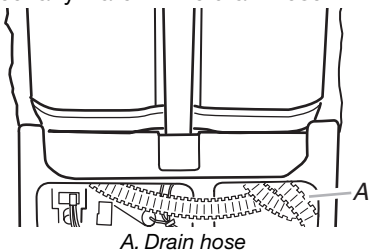
8. Place paper towel under the elbow.
9. Turn on the water supply.
10. Check for leaks.

Connect Dishwasher to Drain

11. Route the drain hose so that it does not touch the dishwasher motor, door springs, water line, cabinet, flooring or the edge of the hole where it passes through the cabinet.

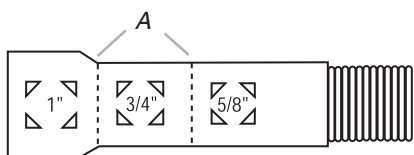
NOTE: Do not remove the drain loop from the side of the dishwasher.

12. Place the shallow pan under the end of the drain hose. The pan will collect any water in the drain hose.



A. Drain hose

13. Cut on the molded end of the drain hose to fit 1" (2.5 cm), 3/4" (1.9 cm) or 5/8" (1.6 cm) diameter connections on the air gap, waste tee or waste disposal.

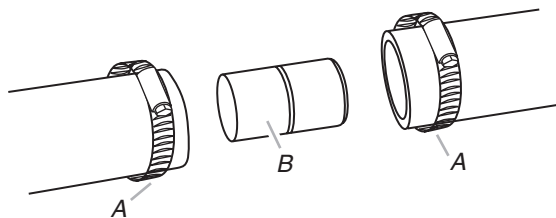


A. Cutting lines

14. If a longer drain hose is required, add up to 42" (107 cm) of length for a total of 10 ft (3 m) to the factory-installed drain hose.

NOTE: Total drain hose length must not exceed 10 ft (3 m) for proper drain operation.

15. Using 5/8" or 7/8" I.D. hose and a coupler, connect the two drain hose ends with hose clamps.

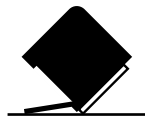


A. Hose clamps
B. Coupler

16. Connect the drain hose to the air gap, waste tee or disposal with clamps.

Attach Dishwasher to Cabinet

⚠ WARNING



Tip Over Hazard

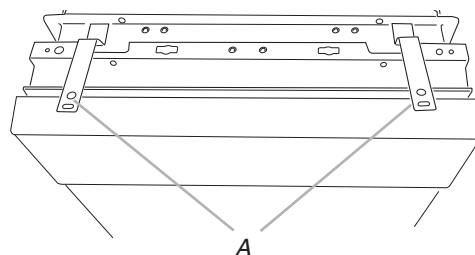
- Do not use dishwasher until completely installed.**
- Do not push down on open door.**
- Doing so can result in serious injury or cuts.**

Method 1

The dishwasher must be secured to wood countertop.

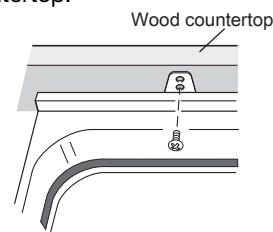
17. Open the dishwasher door and remove the lower dish rack.
18. Place a towel over the pump assembly and spray arm of dishwasher to keep screws from falling into pump area during installation.
19. Check that the dishwasher is level and centered side to side in the opening.
20. Check that the tub flange aligns with the front face of the cabinet frame.
21. Attach the dishwasher to the countertop using the 2 brackets on top of the dishwasher.

NOTE: The dishwasher must be attached to the countertop to keep it from tipping when the door is opened.



A. Brackets

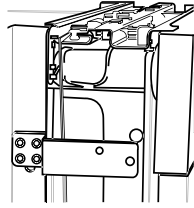
22. Insert 2 #8 x 5/8" Phillips flat-head screws through the brackets and into the countertop.



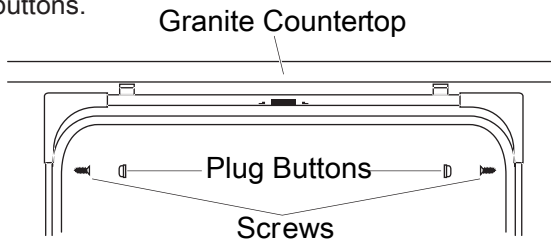
23. Open the door about 3" (7.6 cm) and check that the space between the inner door and tub is equal on both sides.
24. If spacing is not equal, loosen the bracket screws and shift the tub. Retighten bracket screws.
25. Check that the top of the door does not contact the screws, brackets or countertop. If it does, the dishwasher must be lowered and leveled again. See "Level Dishwasher" in "Install Dishwasher."

Method 2

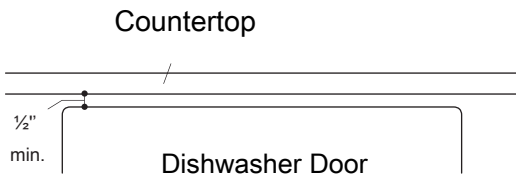
When countertops are granite or other materials that will not accept screws, secure dishwasher with side-mounting brackets.



26. Use a flat-blade screwdriver or prying tool to remove plug buttons (one on each side).
27. Install screws through the dishwasher side mount bracket and into the adjacent cabinet on each side. Reinstall plug buttons.

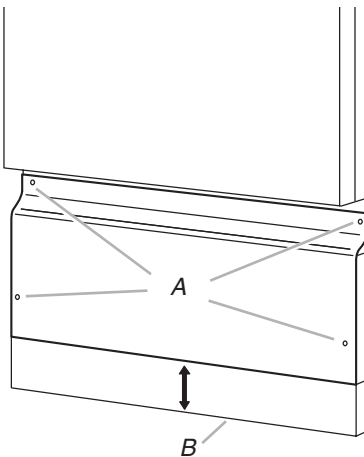


When step is complete, close dishwasher door and verify that gap between countertop and top of dishwasher door is at least 1/2".



Complete Installation

28. Place the lower panel behind the toe-kick panel.
29. Place the 2 panels against the legs of the dishwasher.
30. Align the slots on the inner panel with the toe-kick bracket screw holes. The lower panel should be touching the floor.
31. Insert the 4 toe-kick screws into the 4 screw holes.



A. Top 4 screw holes
B. 2-piece toe-kick

Direct Wire Method

! WARNING



Electrical Shock Hazard

Electrically ground dishwasher.

Connect ground wire to green ground connector in terminal box.

Do not use an extension cord.

Failure to follow these instructions can result in death, fire, or electrical shock.

Power Supply Cord Method

! WARNING



Electrical Shock Hazard

Disconnect power before servicing.

Replace all parts and panels before operating.

Failure to do so can result in death or electrical shock.

32. Reconnect power or plug in dishwasher.

Check Dishwasher Operation

1. Read the User Instructions that came with your dishwasher.
2. Check that all parts have been installed and no steps were skipped.
3. Check that you have all the tools you used.
4. Start the dishwasher and allow it to complete the shortest wash cycle.
5. After 2 minutes, unlatch the door. Wait 5 seconds, and then open the door.
6. Check to see that there is water in the bottom of the dishwasher tub.
7. Check that the dishwasher is working properly.

If you need Assistance or Service

Please reference the "Assistance or Service" section of your User Instructions or contact the dealer from whom you purchased your dishwasher.

Notes

SÉCURITÉ DU LAVE-VAISSELLE

Votre sécurité et celle des autres est très importante.

Dans ce manuel et sur votre appareil, nous fournissons de nombreux messages importants de sécurité. Lisez et respectez toujours tous les messages de sécurité.



Ceci est le symbole d'alerte de sécurité.

Ce symbole met en garde contre les risques potentiels qui peuvent vous tuer ou vous blesser, vous ou d'autres personnes.

Tous les messages de sécurité suivent le symbole d'alerte de sécurité ou le mot « DANGER » ou « AVERTISSEMENT ». Ces mots signifient :

⚠ DANGER

Vous pourriez être tué ou gravement blessé si vous ne respectez pas immédiatement les consignes.

⚠ AVERTISSEMENT

Vous pourriez être tué ou gravement blessé si vous ne respectez pas les consignes.

Tous les messages de sécurité indiquent le risque potentiel, vous disent comment réduire la probabilité de blessure et ce qui peut arriver si les consignes ne sont pas respectées.

⚠ AVERTISSEMENT



Risque de basculement

N'utilisez pas le lave-vaisselle tant qu'il n'est pas complètement installé.
N'appuyez pas sur la porte ouverte.
Cela pourrait entraîner des blessures graves ou des coupures.

Vous devez :

- Ouvrir doucement la porte du lave-vaisselle pendant que quelqu'un saisit l'arrière du lave-vaisselle. Retirer les matériaux d'expédition. Fermer la porte du lave-vaisselle. Verrouiller la porte du lave-vaisselle.
- Respecter tous les codes et règlements en vigueur.
- Installer ce lave-vaisselle conformément à ces consignes.
- Disposer de tout ce dont vous avez besoin pour installer correctement le lave-vaisselle.
- Contacter un installateur qualifié pour vous assurer que le lave-vaisselle soit installé conformément à tous les codes et règlements nationaux et locaux en matière d'électricité et de plomberie.

CONFIGURATION REQUISE POUR L'INSTALLATION

Outils et pièces

Rassemblez les pièces et outils requis avant de commencer l'installation. Lisez et respectez les consignes fournies avec tout outil indiqué ici.

Outils nécessaires

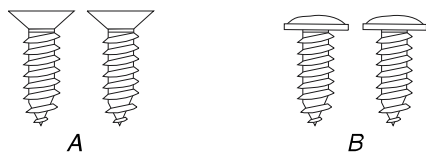
- Tournevis Phillips
- Tournevis à lame plate
- Ruban ou règle à mesurer
- Forets de scie à trous de 1/2 po, 3/4 po et 1 1/2 po (1,3 mm, 1,9 mm et 3,8 cm)
- Assiette peu profonde
- Clé réglable de 6 po (15,2 cm)
- Petit coupe-tube
- Niveau
- Perceuse sans fil
- Mèche de 1/8 po
- Lampe torche

Pièces nécessaires

- Coude à 90° avec filetages externes N.P.T de 3/8 po à une extrémité
- Collier de serrage à vis de 1 1/2 po à 2 po (3,8 cm à 5,1 cm)
- Connecteur de collier (serre-câble) pour correspondre au trou de diamètre 7/8 po (22,2 cm)
- Collier de serrage à vis de 1 1/2 po à 2 po (3,8 cm à 5,1 cm) en cas de raccordement au té de vidage
- REMARQUE : L'autre extrémité doit correspondre à la conduite d'alimentation en eau.
- Ruban d'étanchéité pour filetage
- 3 écrous de câble homologués UL
- Tube en cuivre (3/8 po recommandé)

Pièces fournies

Vérifiez que toutes les pièces sont incluses. Reportez-vous à la liste séparée des pièces pour les accessoires disponibles pour votre lave-vaisselle.



- A. Vis à bois à tête plate Phillips n° 8 x 5/8 po
B. Vis de plinthe Phillips, à empreinte cruciforme, de couleur assortie, de 24 po (61 cm)*

Configuration requise pour l'emplacement

IMPORTANT : Respectez tous les codes et règlements en vigueur. Le non-respect des codes et des règlements peut engendrer un incendie ou un choc électrique.

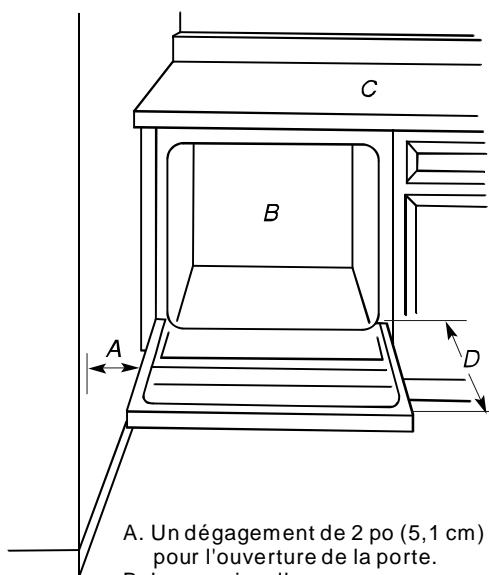
Il est de votre responsabilité d'effectuer une installation appropriée.

- Contactez un installateur qualifié pour vous assurer que le lave-vaisselle soit installé conformément à tous les codes et règlements nationaux et locaux en matière d'électricité et de plomberie.
- Installez le lave-vaisselle conformément à ces consignes.
- Disposez de tout ce dont vous avez besoin pour installer correctement le lave-vaisselle.
- Protégez le lave-vaisselle et les conduites d'eau allant au lave-vaisselle contre le gel. Les dégâts causés par le gel ne sont pas couverts par la garantie.
- Ce lave-vaisselle est fabriqué pour un usage intérieur uniquement.
- Installez et mettez à niveau le lave-vaisselle sur un plancher qui en supportera le poids, dans un espace convenable pour ses dimensions et son utilisation.
- Installez le lave-vaisselle dans un emplacement disposant d'un accès facile à l'eau, à l'électricité et à la vidange.
- Complètement étanche des deux côtés, à l'arrière et au sommet.

Dégagements minimaux

REMARQUES :

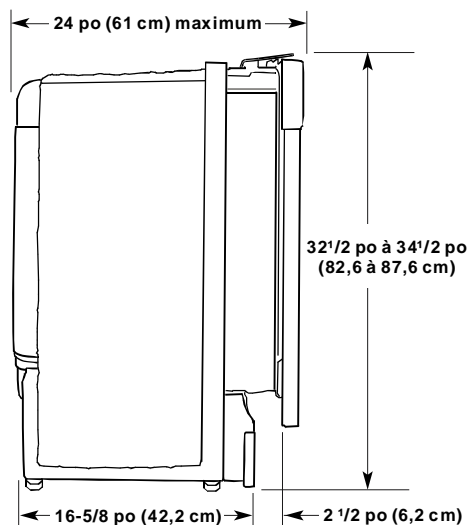
- Les emplacements en coin nécessitent un dégagement minimal de 2 po (5,1 cm) entre le côté de la porte du lave-vaisselle et le mur ou l'armoire.
- Un minimum de 255/8 po (65,1 cm) est requis à l'avant du lave-vaisselle pour permettre l'ouverture complète de la porte.
- L'ouverture doit être carrée et le plancher doit être à niveau.



- A. Un dégagement de 2 po (5,1 cm) minimum pour l'ouverture de la porte.
B. Lave-vaisselle
C. Comptoir
D. 255/8 po (65,1 cm) minimum

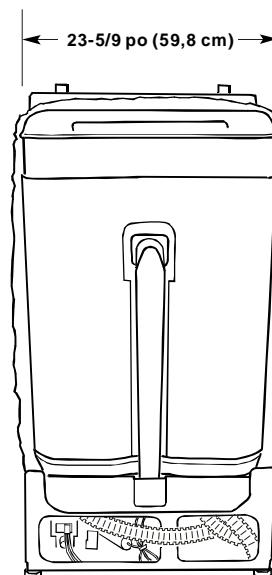
Dimensions du produit

Vue latérale



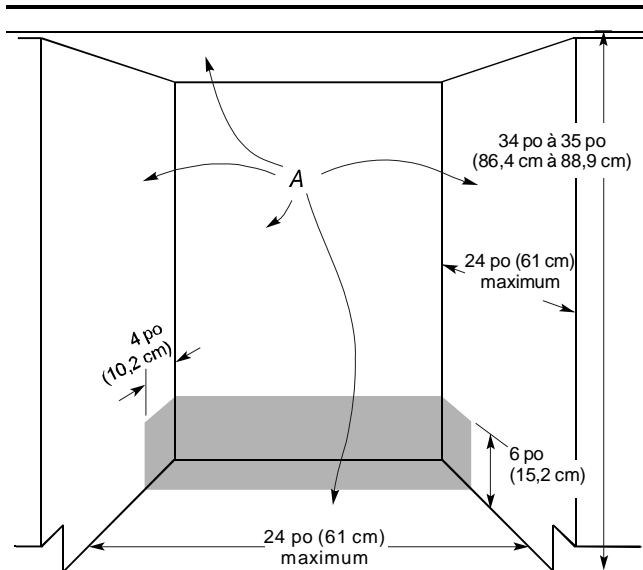
* À l'avant du cadre de la porte

Vue arrière



Dégagements d'installation

Dimensions de découpe



A. Toutes les surfaces doivent être dépourvues d'intrusions

* Dessous du comptoir au plancher

REMARQUES :

- Percez des trous dans la zone ombrée des parois de l'armoire ou dans le plancher pour les travaux de plomberie et d'électricité.
- L'installation ADA, 32-1/2 po (82,5 cm) sous les comptoirs élevés de 34 po (86,4 cm) peut être réalisée en ajustant la plinthe et les pieds de mise à niveau.

Configuration requise pour l'électricité

⚠ AVERTISSEMENT



Risque de choc électrique

Branchez dans une prise à 3 broches mise à la terre. Ne retirez pas la broche de terre.
N'utilisez pas un adaptateur.

N'utilisez pas une rallonge électrique.

Le non-respect de ces consignes peut entraîner la mort, un incendie ou un choc électrique.

CONSIGNES DE MISE À LA TERRE

■ Pour un lave-vaisselle mis à la terre et connecté par cordon :

Le lave-vaisselle doit être mis à la terre. En cas de dysfonctionnement ou de défaillance, la mise à la terre réduit le risque de choc électrique en fournissant une voie de moindre résistance au courant électrique. Le lave-vaisselle est équipé d'un cordon disposant d'un conducteur de mise à la terre et d'une fiche de mise à la terre. La fiche doit être branchée dans une prise appropriée installée et mise à la terre conformément à tous les codes et règlements locaux.

AVERTISSEMENT : Un défaut de raccordement du conducteur de mise à la terre peut entraîner un risque de choc électrique. En cas de doute, faites vérifier la mise à la terre du lave-vaisselle par un électricien agréé ou un représentant du Service Après-Vente. Ne modifiez pas la fiche fournie avec le lave-vaisselle; si elle ne correspond pas à la prise, faites installer une prise adéquate par un électricien qualifié.

■ Pour un lave-vaisselle branché en permanence :

Le lave-vaisselle doit être raccordé à un système métallique mis à la terre de câblage permanent, ou un conducteur de mise à la terre doit être utilisé avec les conducteurs du circuit et raccordé à la borne de mise à la terre ou acheminé au lave-vaisselle.

CONSERVEZ CES INSTRUCTIONS

Contactez un électricien qualifié.

Assurez-vous que l'installation électrique soit adéquate et en conformité avec tous les codes et règlements nationaux et locaux. Configuration requise :

- Alimentation électrique de 120 volts, 60 Hz, courant alternatif uniquement, 15 ou 20 ampères, protégée par fusible.
- Câble en cuivre uniquement, 2 câbles avec mise à la terre

Recommandé :

- Fusible temporisé ou disjoncteur
- Circuit séparé

Branchement par câblage direct

- Utilisez un câble flexible, blindé ou à blindage non métallique, en cuivre avec un fil de mise à la terre conforme aux exigences de câblage de votre maison et aux codes et règlements locaux.

Branchement par cordon d'alimentation

Utilisez la trousse de cordon d'alimentation (pièce numéro 4317824) destinée aux lave-vaisselle. La trousse comprend :

- Cordon d'alimentation à 3 câbles et 16 jauges, homologué UL, avec fiche de mise à la terre à 3 broches
- Serre-câble Neer C-500 de 7/8 po
- 3 connecteurs de câble
- Oeillet, pièce numéro 302797

Respectez les consignes de la trousse pour l'installation du cordon d'alimentation.

REMARQUE : Le cordon d'alimentation doit être branché dans une prise à trois broches, mise à la terre, située dans l'armoire à côté de l'ouverture du lave-vaisselle. La prise doit respecter tous les codes et règlements locaux.

IMPORTANT : Si vous prévoyez d'installer un broyeur de déchets, une alimentation électrique supplémentaire distincte de 120 volts, 60 Hz, courant alternatif uniquement, 15 ou 20 ampères, protégée par fusible, est requise.

Configuration requise pour l'alimentation en eau

- Une conduite d'eau chaude avec une pression d'eau de 20-120 psi (138-862 kPa).
- Température d'eau du lave-vaisselle à 120°F (49°C).
- Tube en cuivre de diamètre extérieur 3/8 po avec raccord de compression ou conduite d'alimentation en eau tressée flexible.
- **REMARQUE** : Tube en plastique de 1/2 po minimum non recommandé.
- Coude à 90° avec filetages externes N.P.T de 3/8 po à une extrémité.

IMPORTANT : Ne soudez pas à moins de 6 po (15,2 cm) de la valve d'arrivée d'eau.

Configuration requise pour la vidange

- Utilisez le nouveau tuyau de vidange fourni avec votre lave-vaisselle.

REMARQUE : Si un tuyau de vidange plus long est requis :

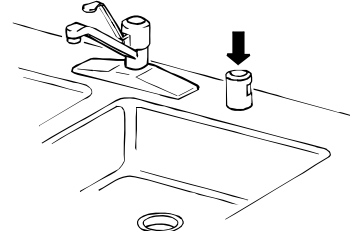
- Utilisez un nouveau tuyau de vidange d'une longueur maximale de 10 pieds (3 m), conforme à toutes les normes actuelles de test AHAM/IAPMO.
- Utilisez un nouveau tuyau de vidange résistant à la chaleur et aux détergents.
- Utilisez un nouveau tuyau de vidange qui correspond au connecteur de vidange de 1 po (2,5 cm) du lave-vaisselle.

- Raccordez le tuyau de vidange au té de vidage ou à l'entrée du broyeur de déchets au-dessus du siphon dans la plomberie de l'habitation.
- Raccordez le tuyau de vidange à la plomberie de l'habitation à 20 po (50,8 cm) minimum au-dessus du plancher.

REMARQUE : Il est recommandé que le tuyau de vidange, soit forme une boucle et soit solidement fixé sous le compteur, ou qu'il soit raccordé à une coupure anti-retour.

- Utilisez une coupure anti-retour de vidange si le tuyau de vidange est raccordé à la plomberie d'habitation inférieure à 18 po (45,7 cm) au-dessus du sous-plancher ou du plancher.

Coupure anti-retour de vidange



- Utilisez des raccords de conduite de vidange de diamètre intérieur égal à 1/2 po (1,3 cm) minimum.

REMARQUE : Ne raccordez pas les conduites de vidange provenant d'autres dispositifs au tuyau de vidange du lave-vaisselle.

NOTICE D'INSTALLATION

⚠ AVERTISSEMENT



Risque de choc électrique

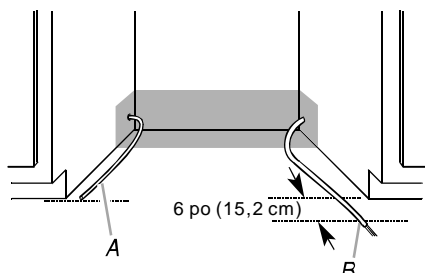
Débranchez l'alimentation électrique de la boîte de fusibles ou du disjoncteur avant d'installer le lave-vaisselle. Le non respect de cette consigne peut entraîner la mort ou un choc électrique.

1. Débranchez l'alimentation électrique.
2. Coupez l'alimentation en eau.

Préparer l'ouverture de l'armoire - Raccords de service existants

Suivez les étapes de cette section si vous installez le lave-vaisselle dans une ouverture existante de l'armoire à l'aide des raccords de service.

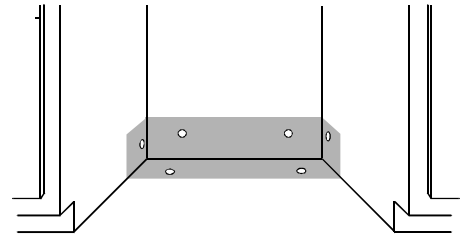
1. Vérifiez que la conduite d'alimentation en eau atteigne le côté avant gauche de l'ouverture où s'effectue le raccordement d'eau.
2. Vérifiez que le câblage direct atteigne le côté avant droite de l'ouverture où s'effectue le raccordement électrique.



A. Conduite d'alimentation en eau
B. Câblage direct

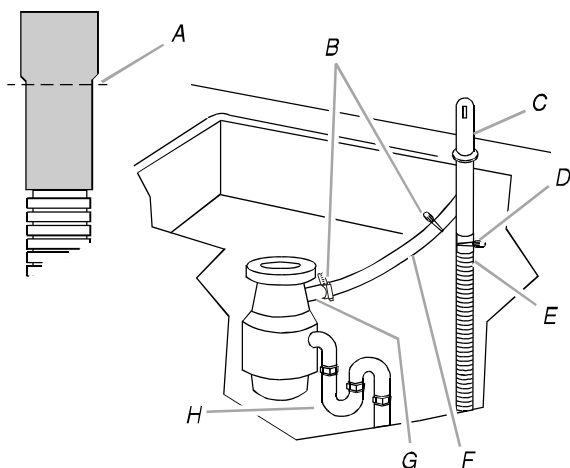
IMPORTANT : Utilisez toujours un nouveau tuyau de vidange même lors de l'installation d'un nouveau lave-vaisselle de remplacement.

3. Percez un trou de diamètre 1 1/2 po (3,8 cm) dans la paroi de l'armoire ou sur le plancher du côté de l'ouverture la plus proche de l'évier.



Raccorder le tuyau de vidange à la coupure anti-retour - Dispositif d'élimination des déchets

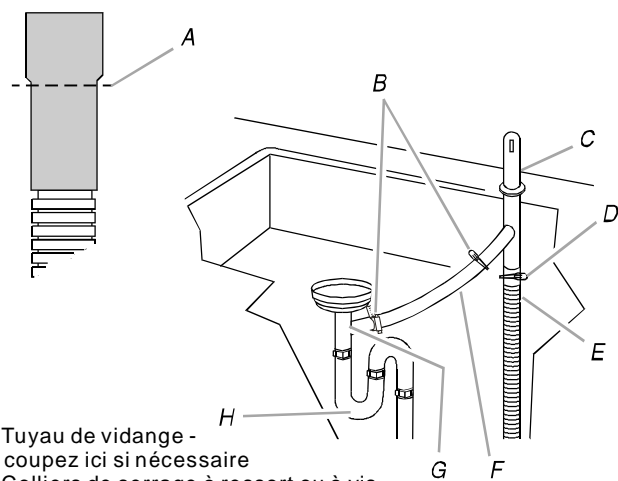
1. Retirez le bouchon d'alvéole défonçable du dispositif d'élimination des déchets. Coupez l'extrémité du tuyau de vidange, si nécessaire. **REMARQUE** : Ne coupez pas la section ondulée.
2. Fixez le tuyau de vidange à la coupure anti-retour à l'aide d'un grand collier de serrage à ressort. **REMARQUE** : Si le tuyau de vidange a été coupé, utilisez le collier de serrage à vis de 1 1/2 po à 2 po (3,8 à 5 cm) (non fourni).
3. Utilisez un connecteur de tuyau en caoutchouc (non fourni) avec des colliers de serrage à ressort ou à vis (non fournis) pour raccorder la coupure anti-retour à l'entrée du dispositif d'élimination de déchets au-dessus du siphon à au moins 20 po (50,8 cm) au-dessus du plancher.



- A. Tuyau de vidange - coupez ici si nécessaire
- B. Colliers de serrage à ressort ou à vis
- C. Coupure anti-retour
- D. Grand collier de serrage à ressort
- E. Tuyau de vidange
- F. Connecteur de tuyau en caoutchouc
- G. Entrée du dispositif d'élimination de déchets
- H. Siphon

Raccorder le tuyau de vidange à la coupure anti-retour - Pas de dispositif d'élimination des déchets

1. Coupez l'extrémité du tuyau de vidange, si nécessaire.
REMARQUE : Ne coupez pas la section ondulée.
2. Fixez le tuyau de vidange à la coupure anti-retour à l'aide d'un grand collier de serrage à ressort.
REMARQUE : Si le tuyau de vidange a été coupé, utilisez un collier de serrage à vis de 1 1/2 po à 2 po (3,8 à 5 cm) (non fourni).
3. Utilisez un connecteur de tuyau en caoutchouc (non fourni) avec des colliers de serrage à ressort ou à vis (non fournis) pour raccorder la coupure anti-retour au té de vidage au-dessus du siphon et à au moins 20 po (50,8 cm) au-dessus du plancher.

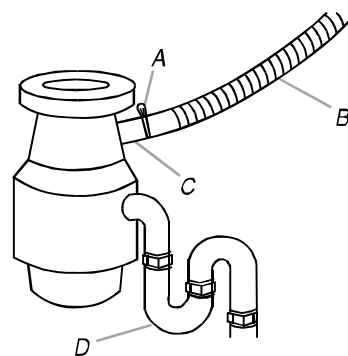


- A. Tuyau de vidange - coupez ici si nécessaire
- B. Colliers de serrage à ressort ou à vis
- C. Coupure anti-retour
- D. Grand collier de serrage à ressort
- E. Tuyau de vidange
- F. Connecteur de tuyau en caoutchouc
- G. Té de vidage
- H. Siphon

Raccorder le tuyau de vidange au dispositif d'élimination des déchets - Pas de coupure anti-retour

1. Retirez le bouchon d'alvéole défonçable du dispositif d'élimination des déchets.
REMARQUE : Ne coupez pas l'extrémité du tuyau de vidange.
2. Fixez le tuyau de vidange à l'entrée du dispositif d'élimination des déchets à l'aide d'un grand collier de serrage à ressort. Ce raccordement doit s'effectuer en amont du siphon et à au moins 20 po (50,8 cm) au-dessus du plancher.

REMARQUE : Il est recommandé que le tuyau de vidange forme une boucle et soit solidement fixé sous le compteur.

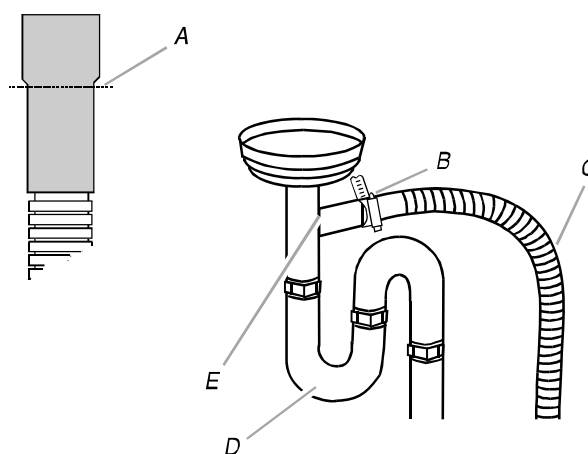


- A. Grand collier de serrage à ressort
- B. Tuyau de vidange
- C. Entrée du dispositif d'élimination de déchets
- D. Siphon

Raccorder le tuyau de vidange - Pas de dispositif d'élimination des déchets

1. Coupez l'extrémité du tuyau de vidange, si nécessaire.
REMARQUE : Ne coupez pas la section ondulée.
2. Fixez le tuyau de vidange au té de vidage à l'aide d'un collier de serrage à vis de 1 1/2 po à 2 po (3,8 cm à 5 cm) (non fourni). Ce raccordement doit s'effectuer en amont du siphon et à au moins 20 po (50,8 cm) au-dessus du plancher.

REMARQUE : Il est recommandé que le tuyau de vidange forme une boucle et soit solidement fixé sous le compteur.



- A. Tuyau de vidange - coupez ici si nécessaire
- B. Collier de serrage à vis
- C. Tuyau de vidange
- D. Siphon
- E. Té de vidage

Préparer l'ouverture de l'armoire - Pas de raccord de service existant

AVERTISSEMENT



Risque de choc électrique

Branchez dans une prise à 3 broches mise à la terre. Ne retirez pas la broche de terre.

N'utilisez pas un adaptateur.

N'utilisez pas une rallonge électrique.

Le non-respect de ces consignes peut entraîner la mort, un incendie ou un choc électrique.

CONSIGNES DE MISE À LA TERRE

■ Pour un lave-vaisselle mis à la terre et connecté par cordon :

Le lave-vaisselle doit être mis à la terre. En cas de dysfonctionnement ou de défaillance, la mise à la terre réduit le risque de choc électrique en fournissant une voie de moindre résistance au courant électrique. Le lave-vaisselle est équipé d'un cordon disposant d'un conducteur de mise à la terre et d'une fiche de mise à la terre. La fiche doit être branchée dans une prise appropriée installée et mise à la terre conformément à tous les codes et règlements locaux.

AVERTISSEMENT : Un défaut de raccordement du conducteur de mise à la terre peut entraîner un risque de choc électrique. En cas de doute, faites vérifier la mise à la terre du lave-vaisselle par un électricien agréé ou un représentant du Service Après-Vente. Ne modifiez pas la fiche fournie avec le lave-vaisselle; si elle ne correspond pas à la prise, faites installer une prise adéquate par un électricien qualifié.

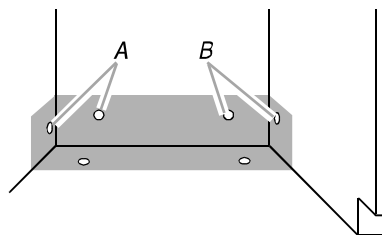
■ Pour un lave-vaisselle branché en permanence :

Le lave-vaisselle doit être raccordé à un système métallique mis à la terre de câblage permanent, ou un conducteur de mise à la terre doit être utilisé avec les conducteurs du circuit et raccordé à la borne de mise à la terre ou acheminé au lave-vaisselle.

CONSERVEZ CES INSTRUCTIONS

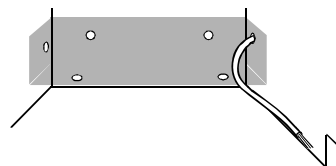
Installer le raccordement électrique - Méthode de câblage direct

1. Percez un trou de $\frac{3}{4}$ po (1,9 cm) dans le côté droit de l'armoire, à l'arrière ou dans le plancher de l'ouverture.



A. Emplacements optionnels
B. Emplacements préférés

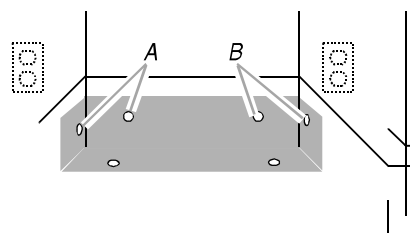
2. Si l'armoire est en bois, poncez le trou jusqu'à ce qu'il soit lisse au toucher. Si l'armoire est en métal, couvrez le trou à l'aide d'un œillet (non fourni).
3. Acheminez le câble de l'alimentation par le biais du trou de l'armoire (le câble doit s'étendre vers le côté avant droit de l'ouverture de l'armoire). Câble ruban vers le plancher de 6 po en face de l'unité. Cela empêche le mouvement du câble lorsque le lave-vaisselle est déplacé dans l'ouverture de l'armoire.



Installer le raccordement électrique - Cordon d'alimentation Méthode

REMARQUE : Un accouplement, une prise mise à la terre à 3 broches sont nécessaires dans une armoire à côté de l'ouverture du lave-vaisselle.

1. Percez un trou de $\frac{3}{4}$ po (1,9 cm) dans le côté droit de l'armoire, à l'arrière ou dans le plancher de l'ouverture.

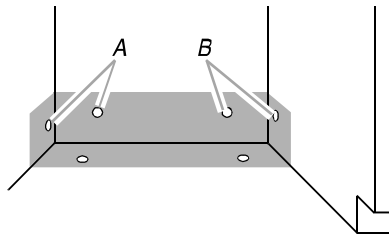


A. Emplacements optionnels
B. Emplacements préférés

2. Si l'armoire est en bois, poncez le trou jusqu'à ce qu'il soit lisse au toucher. Si l'armoire est en métal, couvrez le trou à l'aide d'un œillet (pièce numéro 302797) fourni avec la trousse de cordon d'alimentation.

Installez la conduite d'eau

1. Percez un trou de 1/2 po (1,3 cm) dans le côté gauche de l'armoire, à l'arrière ou dans le plancher de l'ouverture.



A. Emplacements optionnels
B. Emplacements préférés

2. Mesurez la longueur totale du tube en cuivre nécessaire.
3. Fixez le tube en cuivre à la conduite d'alimentation en eau à l'aide d'une valve d'arrêt manuelle.
4. Introduisez doucement le tube en cuivre dans le trou percé dans l'armoire.

REMARQUE : Le tube en cuivre se plie et s'enroule facilement.

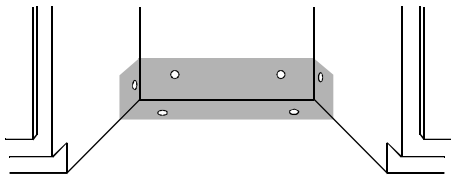
Le tube en cuivre doit être suffisamment loin dans l'ouverture de l'armoire pour le raccorder à l'entrée du lave-vaisselle sur l'avant gauche du lave-vaisselle.

5. Ouvrez la valve d'arrêt d'eau. Faites couler l'eau dans une assiette peu profonde pour débarrasser le tube en cuivre des particules qui pourraient obstruer la valve d'arrivée.
6. Fermez la valve d'arrêt.

Raccorder le tuyau de vidange à la coupure anti-retour - Dispositif d'élimination des déchets

IMPORTANT : Utilisez toujours un nouveau tuyau de vidange même lors de l'installation d'un nouveau lave-vaisselle de remplacement.

1. Percez un trou de diamètre 1 1/2 po (3,8 cm) dans la paroi de l'armoire ou sur le plancher du côté de l'ouverture la plus proche de l'évier.



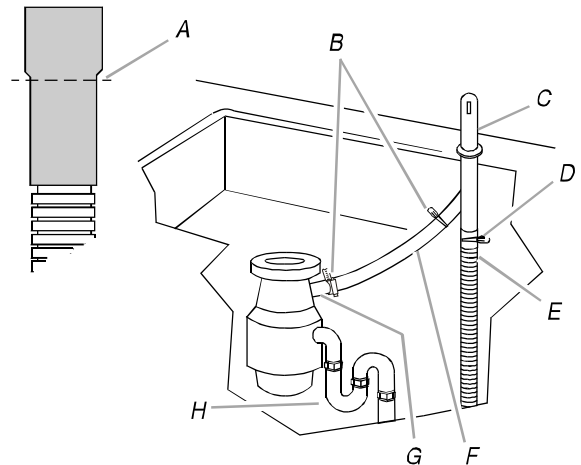
2. Retirez le bouchon d'alvéole défonçable du dispositif d'élimination des déchets. Coupez l'extrémité du tuyau de vidange, si nécessaire.

REMARQUE : Ne coupez pas la section ondulée.

3. Fixez le tuyau de vidange à la coupure anti-retour à l'aide d'un grand collier de serrage à ressort.

REMARQUE : Si le tuyau de vidange a été coupé, utilisez un collier de serrage à vis de 1 1/2 po à 2 po (3,8 à 5 cm) (non fourni).

4. Utilisez un connecteur de tuyau en caoutchouc (non fourni) avec des colliers de serrage à ressort ou à vis (non fournis) pour raccorder la coupure anti-retour à l'entrée du dispositif d'élimination de déchets au-dessus du siphon à au moins 20 po (50,8 cm) au-dessus du plancher.

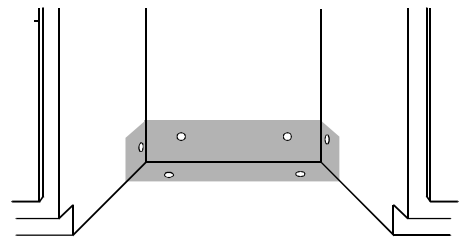


A. Tuyau de vidange - coupez ici si nécessaire
B. Colliers de serrage à ressort ou à vis
C. Coupure anti-retour
D. Grand collier de serrage à ressort
E. Tuyau de vidange
F. Connecteur de tuyau en caoutchouc
G. Entrée du dispositif d'élimination de déchets
H. Siphon

Raccorder le tuyau de vidange à la coupure anti-retour - Pas de dispositif d'élimination des déchets

IMPORTANT : Utilisez toujours un nouveau tuyau de vidange même lors de l'installation d'un nouveau lave-vaisselle de remplacement.

1. Percez un trou de diamètre 1 1/2 po (3,8 cm) dans la paroi de l'armoire ou sur le plancher du côté de l'ouverture la plus proche de l'évier.



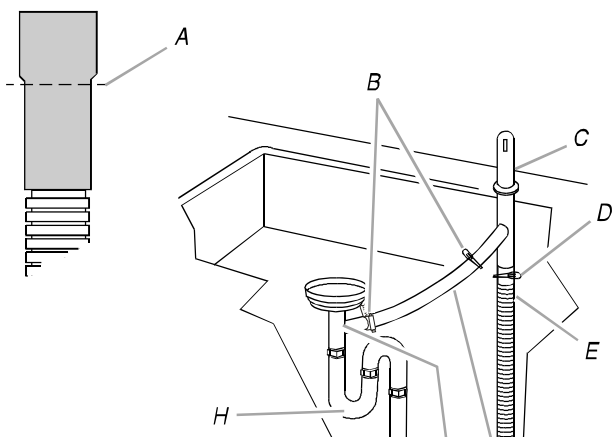
2. Coupez l'extrémité du tuyau de vidange, si nécessaire.

REMARQUE : Ne coupez pas la section ondulée.

3. Fixez le tuyau de vidange à la coupure anti-retour à l'aide d'un grand collier de serrage à ressort.

REMARQUE : Si le tuyau de vidange a été coupé, utilisez un collier de serrage à vis de 1 1/2 po à 2 po (3,8 à 5 cm) (non fourni).

4. Utilisez un connecteur de tuyau en caoutchouc (non fourni) avec des colliers de serrage à ressort ou à vis (non fournis) pour raccorder la coupure anti-retour au té de vidage au-dessus du siphon et à au moins 20 po (50,8 cm) au-dessus du plancher.

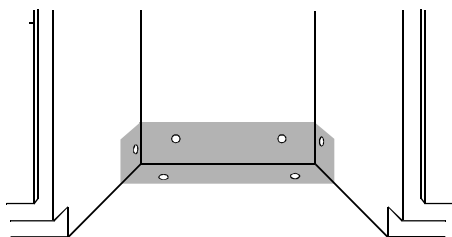


- A. Tuyau de vidange - coupez ici si nécessaire G
- B. Colliers de serrage à ressort ou à vis
- C. Coupure anti-retour
- D. Grand collier de serrage à ressort
- E. Tuyau de vidange
- F. Connecteur de tuyau en caoutchouc
- G. Tête de vidage
- H. Siphon

Raccorder le tuyau de vidange - Pas de dispositif d'élimination des déchets

IMPORTANT : Utilisez toujours un nouveau tuyau de vidange même lors de l'installation d'un nouveau lave-vaisselle de remplacement.

1. Percez un trou de diamètre 1 1/2 po (3,8 cm) dans la paroi de l'armoire ou sur le plancher du côté de l'ouverture la plus proche de l'évier.



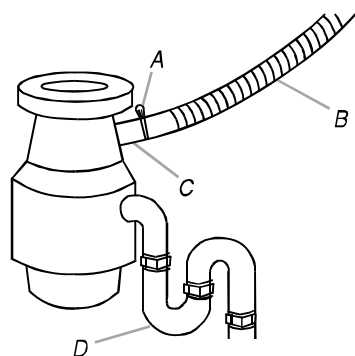
REMARQUE : Il est recommandé que le tuyau de vidange forme une boucle et soit solidement fixé sous le compteur.

2. Retirez le bouchon d'alvéole défonçable du dispositif d'élimination des déchets.

REMARQUE : Ne coupez pas l'extrémité du tuyau de vidange.

3. Fixez le tuyau de vidange à l'entrée du dispositif d'élimination des déchets à l'aide d'un grand collier de serrage à ressort. Ce raccordement doit s'effectuer en amont du siphon et à au moins 20 po (50,8 cm) au-dessus du plancher.

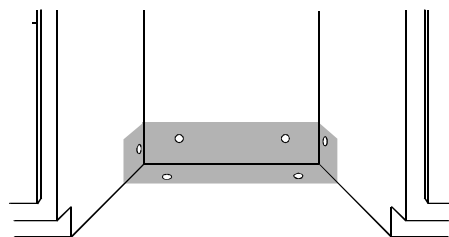
REMARQUE : Il est recommandé que le tuyau de vidange forme une boucle et soit solidement fixé sous le compteur.



- A. Grand collier de serrage à ressort
- B. Tuyau de vidange
- C. Entrée du dispositif d'élimination de déchets
- D. Siphon

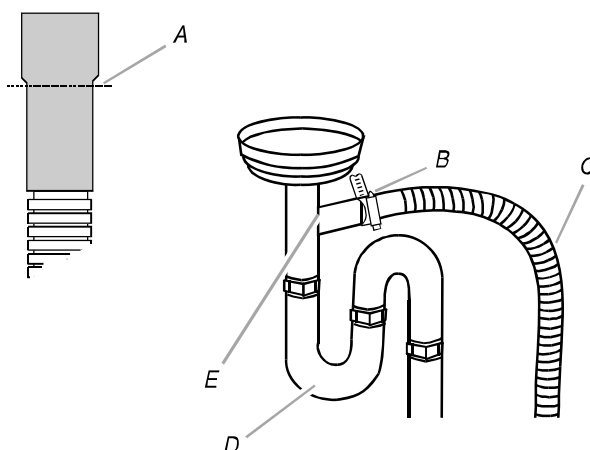
Raccorder le tuyau de vidange au dispositif d'élimination des déchets - Pas de coupure anti-retour

IMPORTANT : Utilisez toujours un nouveau tuyau de vidange même lors de l'installation d'un nouveau lave-vaisselle de remplacement.



2. Coupez l'extrémité du tuyau de vidange, si nécessaire. **REMARQUE :** Ne coupez pas la section ondulée.
3. Fixez le tuyau de vidange au té de vidage à l'aide du collier de serrage à vis de 1 1/2 po à 2 po (3,8 cm à 5 cm) (non fourni). Ce raccordement doit s'effectuer en amont du siphon et à au moins 20 po (50,8 cm) au-dessus du plancher.

REMARQUE : Il est recommandé que le tuyau de vidange forme une boucle et soit solidement fixé sous le compteur.



- A. Tuyau de vidange - coupez ici si nécessaire
- B. Collier de serrage à vis
- C. Tuyau de vidange
- D. Siphon
- E. Tête de vidage

Installer le lave-vaisselle

AVERTISSEMENT



Risque de basculement

N'utilisez pas le lave-vaisselle tant qu'il n'est pas complètement installé.

N'appuyez pas sur la porte ouverte.

Cela pourrait entraîner des blessures graves ou des coupures.

⚠ AVERTISSEMENT

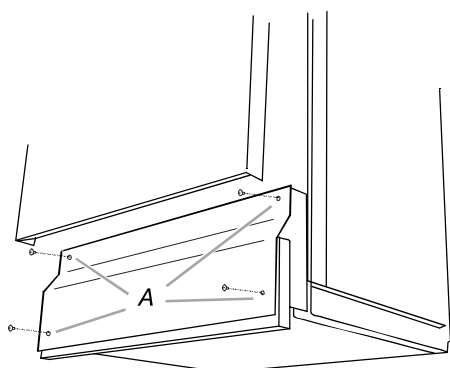
Risque de poids excessif

Utilisez deux personnes ou plus pour déplacer et installer le lave-vaisselle.

Le non respect de cette consigne peut entraîner une blessure au dos ou d'autres blessures.

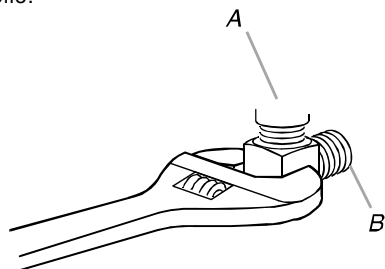
Préparer le lave-vaisselle pour l'installation

1. À l'aide de 2 personnes ou plus, posez l'arrière du lave-vaisselle sur un morceau de carton.
2. À l'aide d'un tournevis Phillips, déposez les 4 vis fixant le panneau de plinthe et le panneau inférieur au lave-vaisselle.



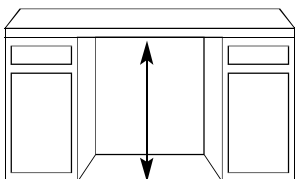
A. Vis

3. Déposez les deux panneaux et mettez-les de côté sur une surface protégée.
4. Appliquez le ruban d'étanchéité pour filetage au coude à 90 et branchez le raccord à la valve d'arrivée d'eau.
5. Serrez le coude jusqu'à ce qu'il soit bien en place.
REMARQUE : Le coude doit s'orienter vers l'arrière du lave-vaisselle.

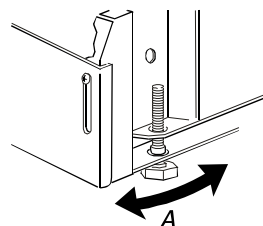


A. Valve d'arrivée d'eau
B. Coude

6. Déposez la vis supérieure et faites coulisser le couvercle vers la droite pour déposer le couvercle du boîtier de jonction.
 - Câblage direct - Installez un connecteur de collier homologué UL/certifié CSA sur le boîtier de jonction. En cas d'utilisation d'un conduit, utilisez un connecteur de conduit homologué UL/certifié CSA.
 - Cordon d'alimentation - Installez la trousse du cordon d'alimentation homologué UL destiné aux lave-vaisselle (numéro de pièce 4317824).
7. Mesurez la hauteur de l'ouverture la plus courte entre le dessous du comptoir et le plancher, à l'emplacement d'installation du lave-vaisselle.



8. Étendez les pieds de mise à niveau de la base du lave-vaisselle, à une hauteur inférieure de 1/4 po à la hauteur d'ouverture la plus courte.



A. Pied de mise à niveau

Vérifier la tension du ressort de la porte

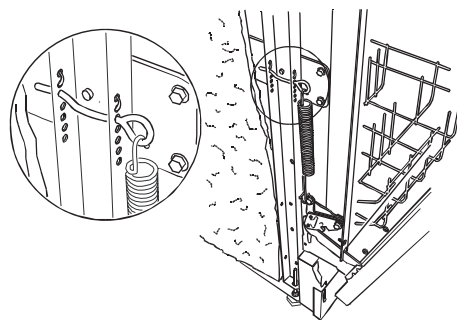
⚠ AVERTISSEMENT

Risque de poids excessif

Utilisez deux personnes ou plus pour déplacer et installer le lave-vaisselle.
Le non respect de cette consigne peut entraîner une blessure au dos ou d'autres blessures.

1. À l'aide de 2 personnes ou plus, posez le lave-vaisselle debout devant l'ouverture de l'armoire.
2. À l'aide d'une personne qui tient le lave-vaisselle pour éviter le basculement, ouvrez et fermez la porte du lave-vaisselle à quelques reprises. Si la porte se ferme trop rapidement ou s'ouvre sous son propre poids, ajustez la tension.

- Si la porte se ferme trop rapidement, diminuez la tension du ressort en tirant la goupille de réglage du ressort de son trou et en la réinsérant dans le trou inférieur suivant vers l'arrière du lave-vaisselle.
- Si la porte tombe en position ouverte, augmentez la tension du ressort en tirant la goupille de réglage du ressort de son trou et en la réinsérant dans le trou suivant supérieur vers le haut du lave-vaisselle.
- Ne retirez pas l'attache autobloquante des trous supérieurs. Les deux trous supérieurs ne doivent pas être utilisés.

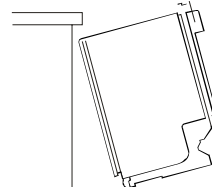


REMARQUE : Les goupilles de réglage du ressort doivent se trouver dans les mêmes trous sur les côtés gauche et droit du lave-vaisselle.

Déplacer le lave-vaisselle dans l'ouverture de l'armoire

1. À l'aide de 2 personnes ou plus, saisissez les côtés du lave-vaisselle au niveau des bords du panneau de porte et rapprochez le lave-vaisselle de l'ouverture de l'armoire.

REMARQUE : Ne poussez pas sur le devant du panneau ou sur la console pour éviter de les plier ou de les enfoncer.



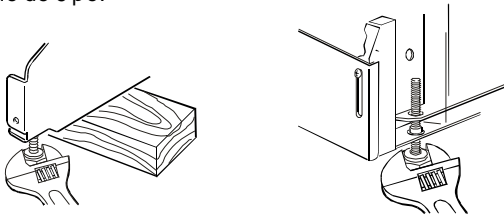
- En cas de câblage direct, vérifiez que le câble d'alimentation se trouve sur le côté droit à l'avant de l'ouverture de l'armoire. Si vous utilisez un cordon d'alimentation, insérez le cordon d'alimentation par le trou dans la paroi de l'armoire.
- Vérifiez que la conduite d'alimentation en eau se trouve sur le côté gauche de l'ouverture de l'armoire.
- Vérifiez que le tuyau de vidange soit proche du centre et insérez le tuyau de vidange par le trou dans l'armoire.
- Déplacez lentement le lave-vaisselle vers son emplacement à l'intérieur de l'ouverture de l'armoire avec les coins avant de la porte du lave-vaisselle qui affleurent avec les portes de l'armoire.

REMARQUES :

- N'enroulez pas et ne pincez pas le tube en cuivre, le tuyau de vidange, le cordon d'alimentation ou le câble direct entre le lave-vaisselle et l'armoire.
 - Ne déposez pas le matelas isolant du lave-vaisselle pour permettre au lave-vaisselle de s'intégrer plus facilement dans l'ouverture de l'armoire. Le matelas isolant réduit le niveau de bruit lorsque le lave-vaisselle fonctionne.
- Si nécessaire, supportez l'avant du lave-vaisselle en soulevant, en abaissant ou en calant les pieds avant.
 - Retirez l'emballage de carton du dessous du lave-vaisselle.

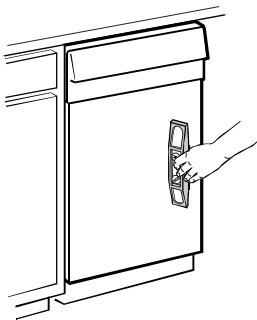
Mettre le lave-vaisselle à niveau

- Alignez l'avant du panneau de porte du lave-vaisselle avec les portes de l'armoire en ajustant les pieds avant à l'aide d'une clé réglable de 6 po.

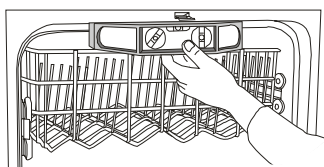


- Vérifiez que les pieds de mise à niveau reposent fermement sur le plancher.
- Fermez et verrouillez la porte du lave-vaisselle.
- Placez un niveau contre le panneau avant au dessus du pied pour vérifier que le lave-vaisselle soit vertical. Si nécessaire, ajustez le pied de mise à niveau ou ajoutez des cales jusqu'à ce que le lave-vaisselle soit vertical.

REMARQUE : Les cales doivent être solidement fixées au plancher pour éviter les mouvements lorsque le lave-vaisselle fonctionne.



- Répétez l'opération pour l'autre côté du lave-vaisselle.
- Placez le niveau contre l'ouverture avant supérieure de la cuve. Vérifiez que le lave-vaisselle soit à niveau d'un côté à l'autre. Si le lave-vaisselle n'est pas à niveau, ajustez les pieds avant vers le haut ou vers le bas jusqu'à ce qu'il soit à niveau.



Effectuez le raccordement électrique - Méthode de câblage direct

Consultez la section « Configuration requise pour l'électricité » avant de continuer.

⚠ AVERTISSEMENT



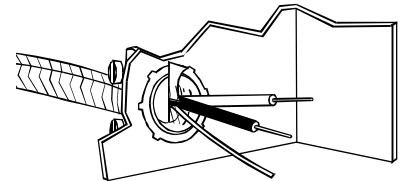
Risque de choc électrique

Mettez le lave-vaisselle à la terre électriquement.

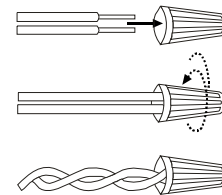
Raccordez le câble de terre au connecteur vert de mise à la terre dans le boîtier de jonction. N'utilisez pas une rallonge électrique.

Le non-respect de ces consignes peut entraîner la mort, un incendie ou un choc électrique.

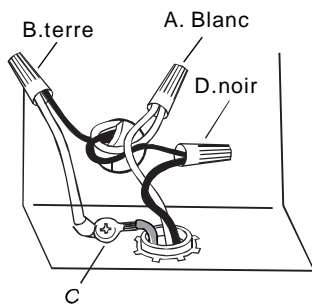
- Acheminez le câble direct de manière qu'il ne touche pas le moteur du lave-vaisselle ou la partie inférieure de la cuve du lave-vaisselle.
- Tirez le câble à travers le serre-câble homologué UL/certifié CSA du boîtier de jonction. Le serre-câble n'est pas fourni avec le lave-vaisselle. Le propriétaire doit acheter un serre-câble à vis de 7/8 po.



- En appliquant une force de torsion sur les connecteurs dimensionnés pour connecter le câble direct au câble à 16 jagues du lave-vaisselle, raccordez le câble blanc de l'alimentation au câble blanc dans le boîtier de jonction.



- En appliquant une force de torsion sur les connecteurs dimensionnés pour connecter le câble direct au câble à 16 jagues du lave-vaisselle, raccordez le câble noir de l'alimentation au câble noir dans le boîtier de jonction.
- En appliquant une force de torsion sur les connecteurs dimensionnés pour connecter le câble direct au câble à 16 jagues du lave-vaisselle, raccordez les câbles de masse de l'alimentation au câble de masse vert du lave-vaisselle.



- A. Câble blanc vers le câble blanc
- B. Câbles de masse vers le connecteur de masse vert
- C. Vis de mise à la terre
- D. Câble noir vers le câble noir

6. Serrez les vis du connecteur de collier ou du connecteur de conduit.
7. Réinstallez le couvercle du boîtier de jonction à l'aide des câbles situés à l'intérieur du boîtier de jonction.
8. Assurez-vous qu'aucun câble n'est pincé par le couvercle.

Effectuer le raccordement électrique - Méthode du cordon d'alimentation

⚠ AVERTISSEMENT



Risque de choc électrique

Branchez dans une prise à 3 broches mise à la terre. Ne retirez pas la broche de terre. N'utilisez pas un adaptateur.

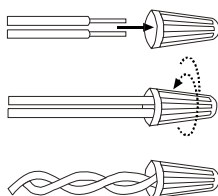
N'utilisez pas une rallonge électrique.

Le non-respect de ces consignes peut entraîner la mort, un incendie ou un choc électrique.

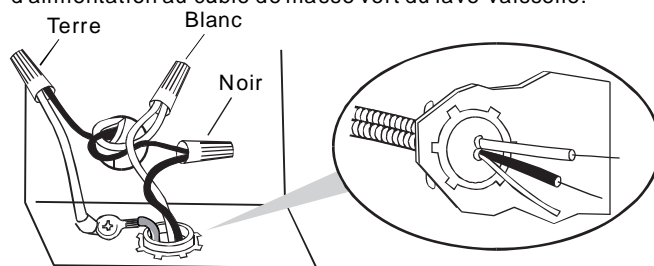
Le cordon d'alimentation et les connexions doivent être conformes au code national de l'électricité, section 422, et/ou aux codes et règlements locaux. La longueur recommandée du cordon d'alimentation est de 54 po (137,2 cm) minimum et 64 po (162,6 cm) maximum.

Utilisez la trousse de cordon d'alimentation homologuée UL (numéro de pièce 4317824).

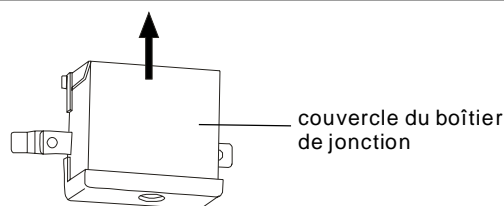
1. Déposez le couvercle du boîtier de jonction.
2. En appliquant une force de torsion sur les connecteurs dimensionnés pour connecter le câble direct au câble à 16 jauges du lave-vaisselle, raccordez le câble blanc du cordon d'alimentation au câble blanc dans le boîtier de jonction.



3. En appliquant une force de torsion sur les connecteurs dimensionnés pour connecter le câble direct au câble à 16 jauges du lave-vaisselle, raccordez le câble noir du câble d'alimentation au câble noir dans le boîtier de jonction.
4. En appliquant une force de torsion sur les connecteurs dimensionnés pour connecter le câble direct au câble à 16 jauges du lave-vaisselle, raccordez le câble de masse du cordon d'alimentation au câble de masse vert du lave-vaisselle.



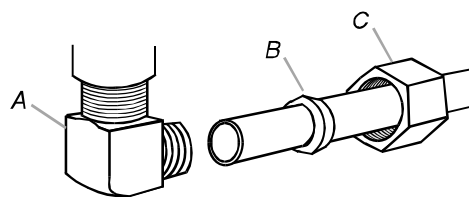
Câble d'alimentation : **Câble du boîtier de jonction :**
 blanc ↔ blanc
 noir ↔ noir
 câble de terre ↔ câble de terre



5. Réinstallez le couvercle du boîtier de jonction à l'aide des câbles situés à l'intérieur du boîtier de jonction.
6. Assurez-vous qu'aucun câble n'est pincé par le couvercle.
7. Branchez le cordon d'alimentation dans une prise à 3 broches mise à la terre.
8. Vérifiez que le cordon d'alimentation ne touche pas le moteur du lave-vaisselle ou la partie inférieure de la cuve du lave-vaisselle.

Raccorder le lave-vaisselle à l'alimentation en eau

1. Acheminez la conduite d'alimentation en eau de manière qu'elle ne touche pas la base du lave-vaisselle, le cadre ou le moteur.
2. Faites glisser l'écrou sur le tube en cuivre d'environ 1 po (2,5 cm).
3. Faites glisser la bague d'extrémité sur le tube.
REMARQUE : Ne positionnez pas la bague d'extrémité au bout du tube.

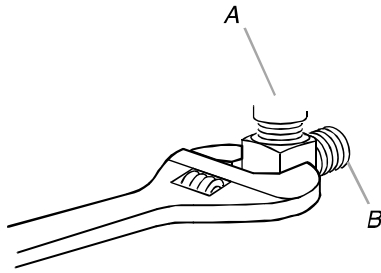


- A. Coude
- B. Bague d'extrémité
- C. Écrou

4. Poussez le tube dans le coude jusqu'à la butée.
5. Faites glisser l'écrou et la bague d'extrémité vers l'avant et amorcez l'écrou sur les filetages du coude. Évitez de plier ou d'enrouler le tube en cuivre.
6. Le tube en cuivre étant introduit dans le raccord de compression jusqu'à la butée, utilisez une clé et serrez l'écrou du raccord de compression vers le coude sur la valve d'arrivée d'eau.
7. À l'aide des connexions tressées flexibles, fixez l'écrou au coude en utilisant une clé plate de 5/8 po ou une clé réglable.

REMARQUE : N'utilisez pas de ruban Teflon® avec les raccords de compression.

Teflon® est une marque déposée de E. I. Dupont de Nemours and Company.



A. Valve d'arrivée d'eau
B. Coude

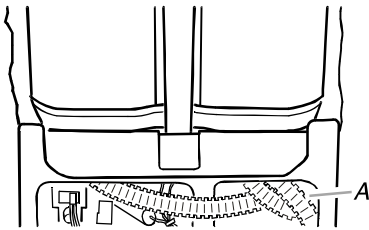
8. Placez un essuie-tout sous le coude.
9. Ouvrez l'alimentation en eau.
10. Recherchez les fuites éventuelles.

Raccorder le lave-vaisselle au dispositif de vidange

11. Acheminez le tuyau de vidange de manière qu'il ne touche pas le moteur du lave-vaisselle, les ressorts de la porte, la conduite d'eau, l'armoire, le plancher ou le bord du trou où il passe à travers l'armoire.

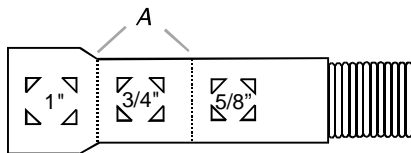
REMARQUE : Ne retirez pas la boucle de vidange du côté du lave-vaisselle.

12. Placez l'assiette peu profonde sous l'extrémité du tuyau de vidange. L'assiette recueille toute l'eau du tuyau de vidange.



A Tuyau de vidange

13. Coupez l'extrémité moulée du tuyau de vidange pour qu'elle corresponde aux connexions de diamètre 1 po (2,5 cm), 3/4 po (1,9 cm) ou 5/8 po (1,6 cm) sur la coupure anti-retour, le té de vidage ou le dispositif d'élimination de déchets.

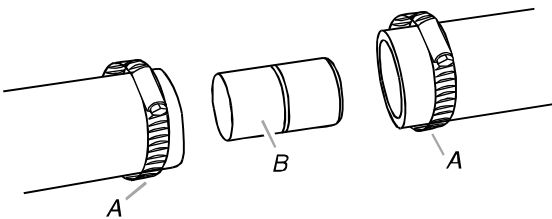


A. Lignes de coupe

14. Si un tuyau de vidange plus long est nécessaire, ajoutez jusqu'à 42 po (107 cm) de longueur pour un total de 10 pi (3 m) au tuyau de vidange installé en usine.

REMARQUE : La longueur totale du tuyau de vidange ne doit pas dépasser 10 pi (3 m) pour un fonctionnement adéquat de la vidange.

15. À l'aide d'un tuyau de diamètre interne 5/8 po ou 7/8 po et d'un coupleur, raccordez les deux extrémités du tuyau de vidange à l'aide des colliers de tuyau.

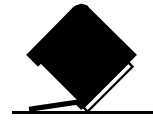


A. Colliers de serrage de tuyau.
B. Coupleur

16. Raccordez le tuyau de vidange à la coupure anti-retour, au té de vidage ou au dispositif d'élimination des déchets à l'aide de colliers.

Fixer le lave-vaisselle à l'armoire

⚠ AVERTISSEMENT



Risque de basculement

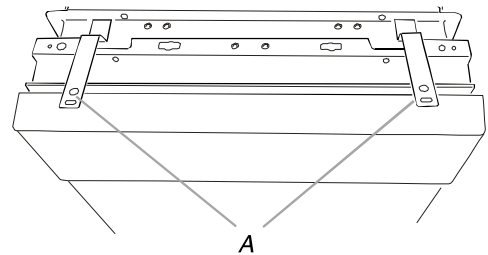
**N'utilisez pas le lave-vaisselle tant qu'il n'est pas complètement installé.
N'appuyez pas sur la porte ouverte.
Cela pourrait entraîner des blessures graves ou des coupures.**

Méthode 1

Le lave-vaisselle doit être fixé au comptoir en bois.

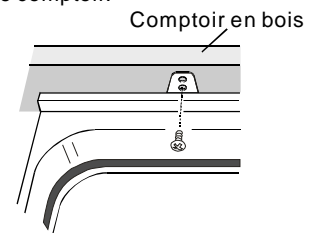
17. Ouvrez la porte du lave-vaisselle et déposez l'égouttoir à vaisselle inférieur.
18. Placez un chiffon sur la pompe et le bras gicleur du lave-vaisselle pour empêcher les vis de tomber dans la zone de pompage lors de l'installation.
19. Vérifiez que le lave-vaisselle soit à niveau et centré côte-à-côte dans l'ouverture.
20. Vérifiez que la bride de la cuve soit alignée avec la face avant du cadre de l'armoire.
21. Fixez le lave-vaisselle au comptoir à l'aide des 2 supports situés au-dessus du lave-vaisselle.

REMARQUE : Le lave-vaisselle doit être fixé au comptoir pour l'empêcher de basculer lorsque la porte est ouverte.



A. Supports

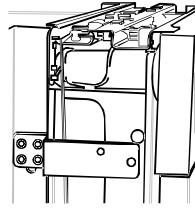
22. Insérez des vis à tête plate Phillips de 2 # 8 x 5/8 po à travers les supports et dans le comptoir.



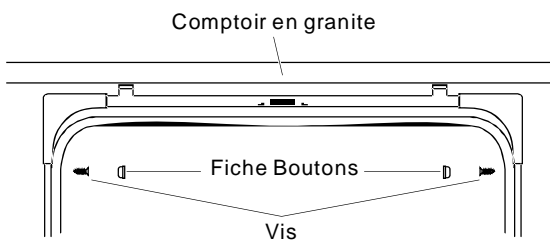
23. Ouvrez la porte d'environ 3 po (7,6 cm) et vérifiez que l'espace entre la porte intérieure et la cuve est égale des deux côtés.
24. Si l'espacement n'est pas égal, desserrez les vis du support et déplacez la cuve. Resserrez les vis du support.
25. Vérifiez que le haut de la porte ne soit pas en contact avec les vis, les brides ou le comptoir. Si c'est le cas, le lave-vaisselle doit être abaissé et mis à niveau de nouveau. Reportez-vous à la rubrique « Mise à niveau du lave-vaisselle » dans la section « Installation du lave-vaisselle ».

Méthode 2

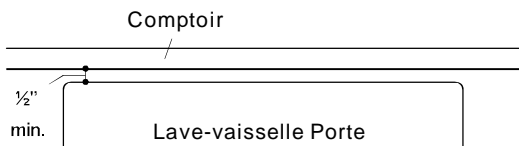
Lorsque les comptoirs sont en granite ou en d'autres matériaux qui n'acceptent pas les vis, fixez le lave-vaisselle à l'aide des supports de montage latéral.



- Utilisez un tournevis à lame plate ou un outil levier pour déposer les bouchons (un de chaque côté).
- Installez les vis à travers le support de montage latéral du lave-vaisselle et dans l'armoire adjacente de chaque côté. Réinstallez les boutons du bouchon.

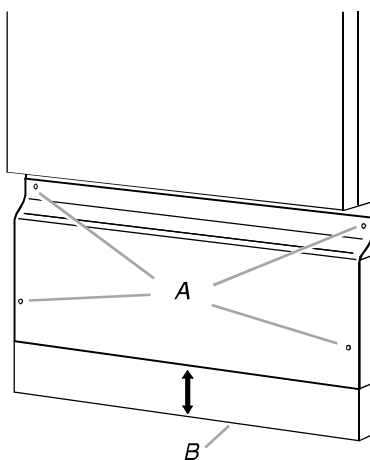


Lorsque l'étape est achevée, fermez la porte du lave-vaisselle et vérifiez que l'écartement entre le comptoir et le haut de la porte du lave-vaisselle soit d'au moins 1/2 po.



Achever l'installation

- Posez le panneau inférieur derrière le panneau de plinthe.
- Posez les 2 panneaux contre les pieds du lave-vaisselle.
- Alignez les fentes sur le panneau intérieur avec les trous de vis du support de plinthe. Le panneau inférieur doit toucher le plancher.
- Insérez les 4 vis de plinthe dans les 4 trous de vis.



- A. 4 trous de vis supérieurs
B. Plinthe à 2 pièces

Méthode de câblage direct

⚠ AVERTISSEMENT



Risque de choc électrique

Mettez le lave-vaisselle à la terre électriquement.

Raccordez le câble de terre au connecteur vert de mise à la terre dans le boîtier de jonction. N'utilisez pas une rallonge électrique.

Comptoir en granite

Le non-respect de ces consignes peut entraîner la mort, un incendie ou un choc électrique.

Bloc d'alimentation Cordon Méthode

⚠ AVERTISSEMENT



Risque de choc électrique

Débranchez l'alimentation avant l'entretien. Remplacez toutes les pièces et tous les panneaux avant le fonctionnement. Le non respect de cette consigne peut entraîner la mort ou un choc électrique.

- Rebranchez l'alimentation ou la prise du lave-vaisselle.

Vérifier le fonctionnement du lave-vaisselle

- Lisez le manuel d'utilisation fourni avec votre lave-vaisselle.
- Vérifiez que toutes les pièces ont été installées et qu'aucune étape n'a été omise.
- Vérifiez que vous disposez de tous les outils dont vous avez besoin.
- Démarrez le lave-vaisselle et laissez-le compléter le cycle de lavage le plus court.
- Après 2 minutes, déverrouillez la porte. Attendez 5 secondes, puis ouvrez la porte.
- Vérifiez la présence d'eau au fond de la cuve du lave-vaisselle.
- Vérifiez que le lave-vaisselle fonctionne correctement.

Si vous avez besoin d'assistance ou d'un service

Reportez-vous à la section « Assistance ou service » de votre manuel d'utilisation ou contactez le vendeur auprès duquel vous avez acheté votre lave-vaisselle.

REMARQUE