

Whirlpool® Undercounter Dishwasher

PRODUCT MODEL NUMBERS

WDF550SAA WDF550SAF

Electrical Requirements: 120-volt, 60- z, AC-only, 15- or 20-amp fused electrical supply. Copper wire only. A time-delay fuse or circuit breaker and separate circuit is recommended.

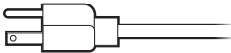
If direct wiring dishwasher: Use flexible, armored, or nonmetallic, sheathed copper wire with grounding wire that meets the wiring requirements for your home and local codes and ordinances.



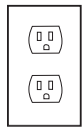
Use a UL Listed or CSA Approved strain relief.

If connecting dishwasher with a power supply cord:

Use Power Supply Cord Kit (Part Number 4317824) marked for use with dishwashers. Follow the kit instructions for installing the power supply cord.



Power supply cord must plug into a grounded 3 prong, outlet, located in the cabinet next to the dishwasher opening. Outlet must meet all local codes and ordinances.



Water Supply Requirements: A hot water line with 20 to 120 psi (138 to 862 kPa) water pressure. Water temperature must be 120°F (49°C) water at dishwasher. Use 3/8" O.D. copper tubing with compression fitting or flexible braided water supply line (Part Number 4396897RP) (1/2" minimum plastic tubing is not recommended). Use a 90° elbow with 3/4" hose connection with rubber washer. Do not solder within 6" (15.2 cm) of the water inlet valve.

Drain Requirements:

■ Use the new drain hose supplied with your dishwasher.

NOTE: If a longer drain hose is required:

■ Use a new drain hose with maximum length of 10 ft (3 m) that meets all current AHAM/IAPMO test standards.

■ Use a new drain hose that is resistant to heat and detergent.

■ Use a new drain hose that fits the 1" (2.5 cm) drain connector on the dishwasher.

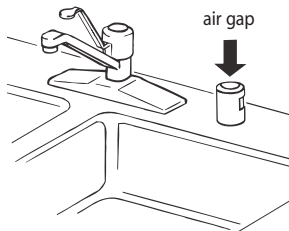
■ Connect drain hose to waste tee or disposal inlet above drain trap in house plumbing.

■ Connect drain hose to house plumbing 20" (50.8 cm) minimum above the floor.

NOTE: It is recommended that the drain hose either be looped up and securely fastened to the underside of the counter or be connected to an air gap.

■ Use a drain air gap if the drain hose is connected to house plumbing lower than 18" (45.7 cm) above the subfloor or floor.

Drain Air Gap

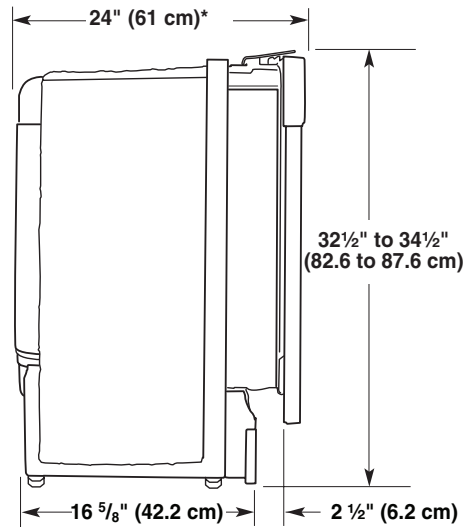


■ Use 1/2" (1.3 cm) minimum I.D. drain line fittings.

NOTE: Do not connect drain lines from other devices to the dishwasher drain hose.

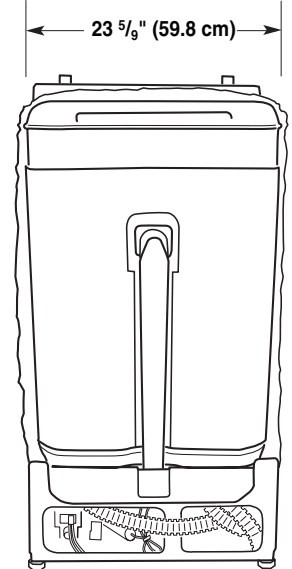
PRODUCT DIMENSIONS

Side View

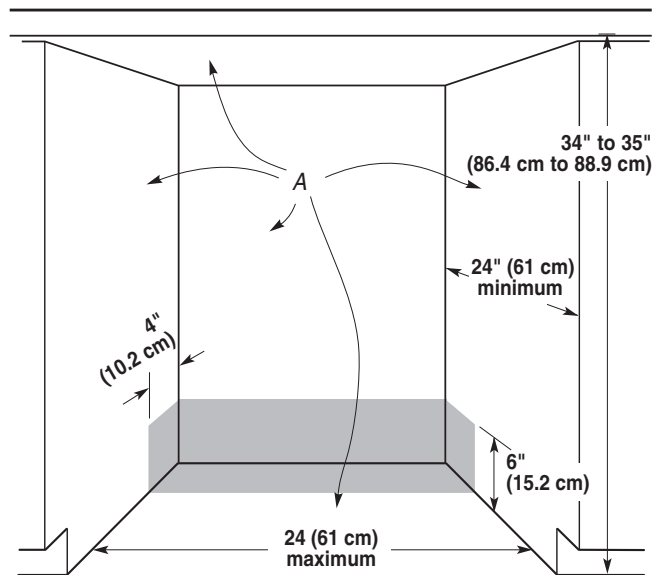


* To front of door frame

Rear View



CABINET CUTOUT DIMENSIONS



* Underside of countertop to floor

NOTES:

■ Cut holes in shaded area of cabinet walls or floor for plumbing and electrical service.

■ ADA installation – 32 1/2" (82.5 cm) beneath 34" (86.4 cm) high countertops may be accomplished by adjusting the toe kick and leveling legs.