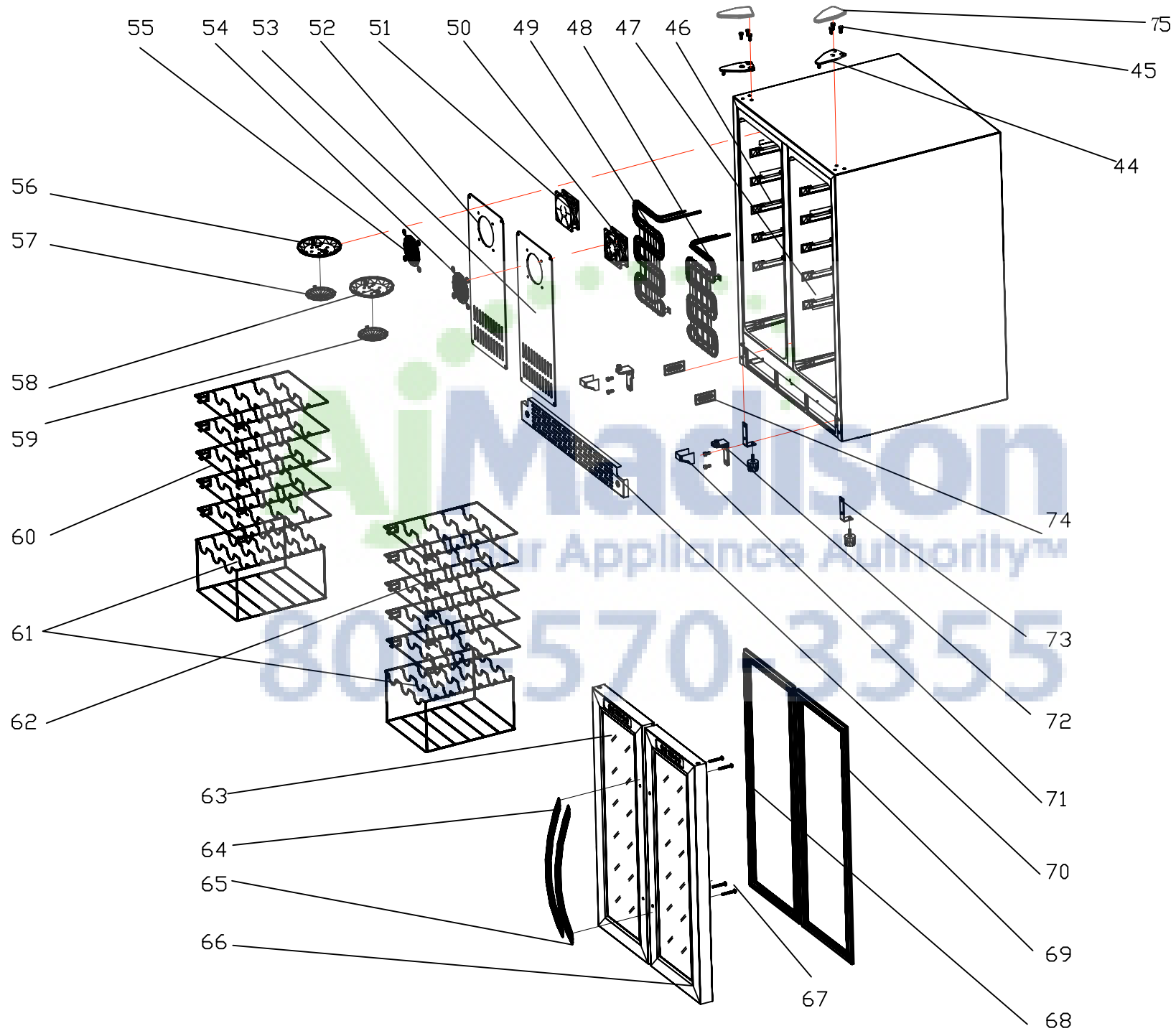


WR150ITT
WCV42DZ
WBV21DZ



WR150ITT
WCV42DZ

WCV42DZ PARTS LIST

No	Part name	Qty
1	Cabinet	1
2	Capillary Tube	1
3	Drip Tray	1
4	PCB Enclosure	1
5	Power importation/signal output Electric wire	1
6	PCB	1
7	PCB Cover	1
8	Connect line cover supporter	1
9	Compressor Terminal Cover	1
10	PTC starter	1
11	overload protector	1
12	Compressor Electric wire	4
13	Leveling legs	4
14	M6 Stud bolt	4
15	Compressor Mounting Bolt	4
16	Compressor Plate	1
17	Ground wire	1
18	Compressor	1
19	Compressor leg supporter	4
20	Washer	4
21	M6 nut	4
22	Strain Relief	1
23	low presure vacuum tube	1
24	Motor fan electric wire	1
25	Motor fan housing	1
26	suction pipe	1
27	Power supply cord	1
28	motor fan bracket	1
29	motor fan	1
30	Rear Housing Cover	1
31	condenser	1
32	Dry filter	1
33	high pressure vacuum tube	1
34	Capillary Tube	1
35	condenser	1
36	fan	1
37	main connect line box	1

No	Part name	Qty
38	motor fan Housing	1
39	Condenser Cover	1
40	Freon reservoir	1
41	Solenoid Valve cover (Electromagnetic)	2
42	Solenoid Valve wire (Electromagnetic)	2
43	Solenoid Valve (Electromagnetic)	2
44	Upper Hinge	2
45	M6 nut	6
46	Left rail	1
47	Right rail	1
48	Right Evaporator	1
49	Left Evaporator	1
50	Right DC fan	1
51	left DC fan	1
52	Left inner plastic Cover	1
53	Right inner Plastic Cover	1
54	Right DC fan cover	1
55	Left DC fan cover	1
56	Left light housing	1
57	Left Lens Cover	1
58	Right light housing	1
59	Right Lens Cover	1
60	Wire Shelf	10
61	Bottom Shelf	2
62	Wire Shelf	1
63	Door	1
64	Handle	1
65	Handle	1
66	Door	1
67	Handle Support Bolts	4
68	Door Gasket	1
69	Door Gasket	1
70	Bottom Grille	1
71	lower hinge Cover	2
72	lower hinge	2
73	lower hinge Supporter	2
74	Temperature Sensor	2
75	Upper Hinge Cover	2