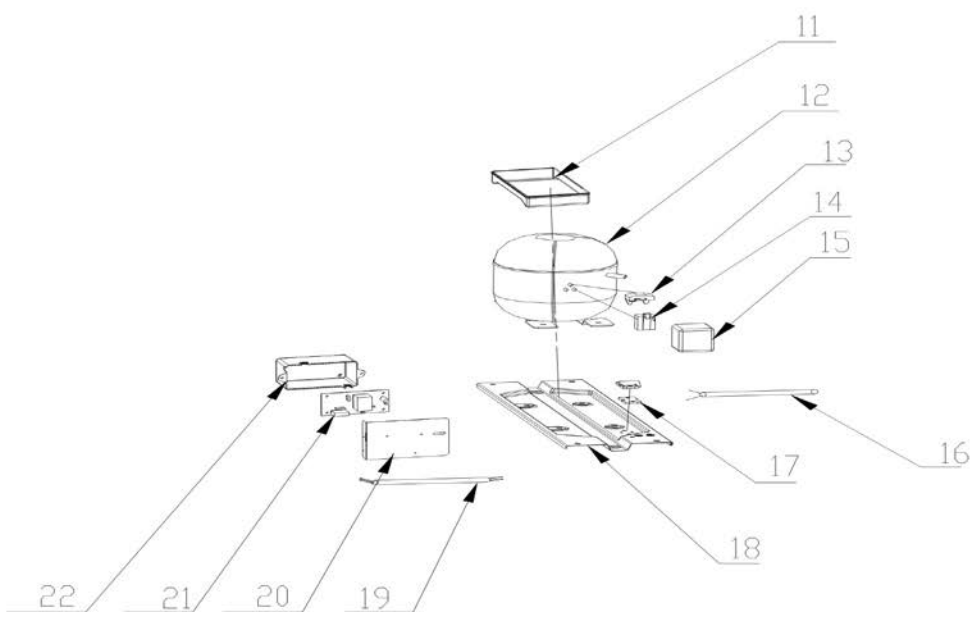
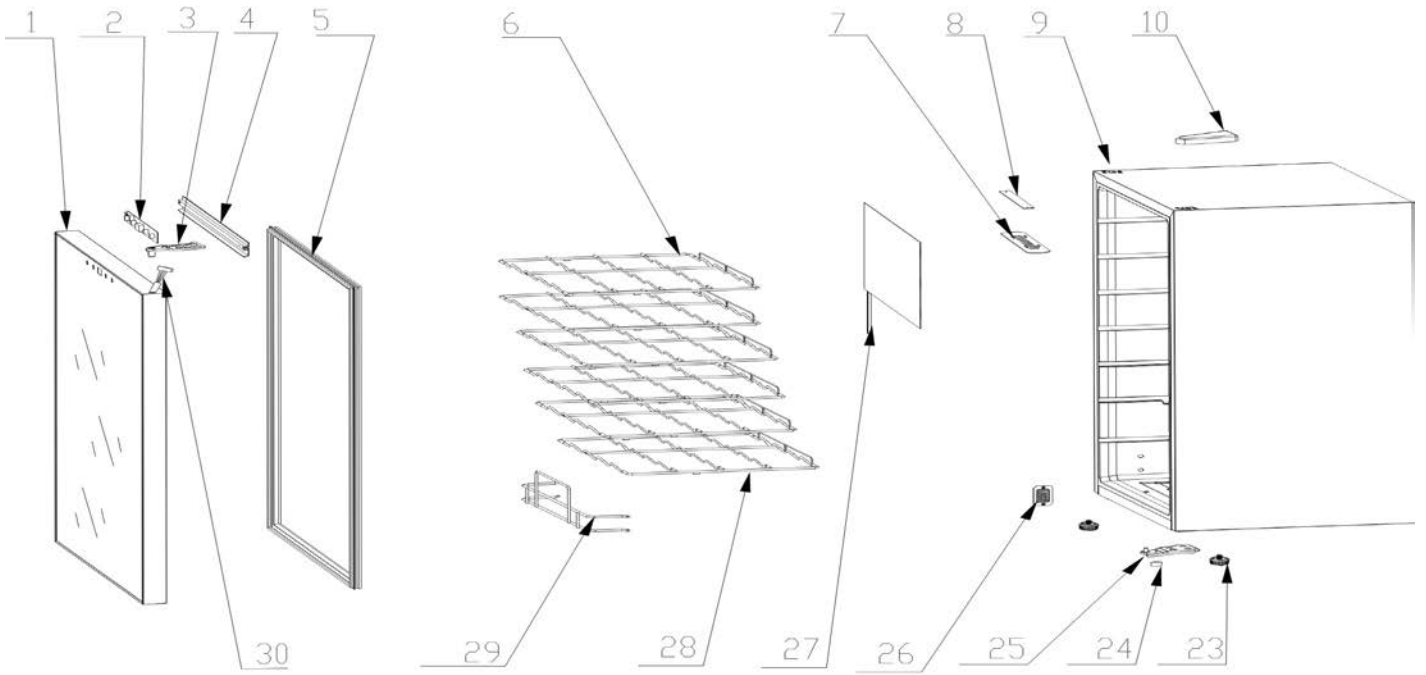


WC34N2P



PART LIST

No.	Part Name	Part Code	PCS
1	Glass door	3.0.098021	1
2	Control Panel	1.3.027900	1
3	Upper door Hinge	1.1.069700	1
4	Control Panel Cover	1.2.069320	1
5	Door Gasket	1.2.069520	1
6	Chrome plated shelves	1.1.071800	5
7	LED Cover	1.2.061090	1
8	LED PCB	2.3.031300	1
10	Upper Door Hinge Cover	1.2.070820	1
11	Drip Tray	1.2.064020	1
12	Compressor	B35C5B	1
13	Overload Protector	1.3.034300	1
14	PTC Starter	1.3.034300	11
15	PTC Starter Cover	1.3.034300	1
16	Power Cord	1.3.013020	1
17	Wire Clip	1.8.011000	1
18	Bottom Plate	1.1.070600	1
19	Compressor connecting line	1.3.028400	1
20	PCB Cover Base	2.1.072100	1
21	PCB	1.3.034200	1
22	PCB Cover	1.2.060920	1
23	Leveling Leg	1.8.009410	2
24	Support Leg	1.8.015010	1
25	Lower Door Hinge	1.1.070400	1
26	Sensor Cover	1.8.028520	1
27	Evaporator	1.1.075710	1
28	Chrome plated bottom shelf	1.1.071900	1
29	Lower Storage Bar	1.1.072000	1
30	Control Panel Connecting wire	1.3.031200	1