



VIVIO 500GC/550GC

PROFESSIONAL GARMENT STEAMERS

CENTRALES VAPEUR PROFESSIONNELLES

VAPORIZADOR DE PRENDAS PROFESIONAL

INSTRUCTION MANUAL

GUIDE D'UTILISATION

MANUAL DE INSTRUCCIONES

VIVIO 500GC & VIVIO 550GC COMPONENTS	01
INSTRUCTION MANUAL ENGLISH	03
GUIDE D'UTILISATION FRANÇAIS	17
MANUAL DE INSTRUCCIONES ESPAÑOL	29

WHAT'S IN THE BOX - VIVIO 500GC

QU'Y A-T-IL DANS LA BOITE - VIVIO 500GC

QUÉ HAY EN LA CAJA - VIVIO 500GC



VIVIO 500GC PARTS IDENTIFIER

ENGLISH

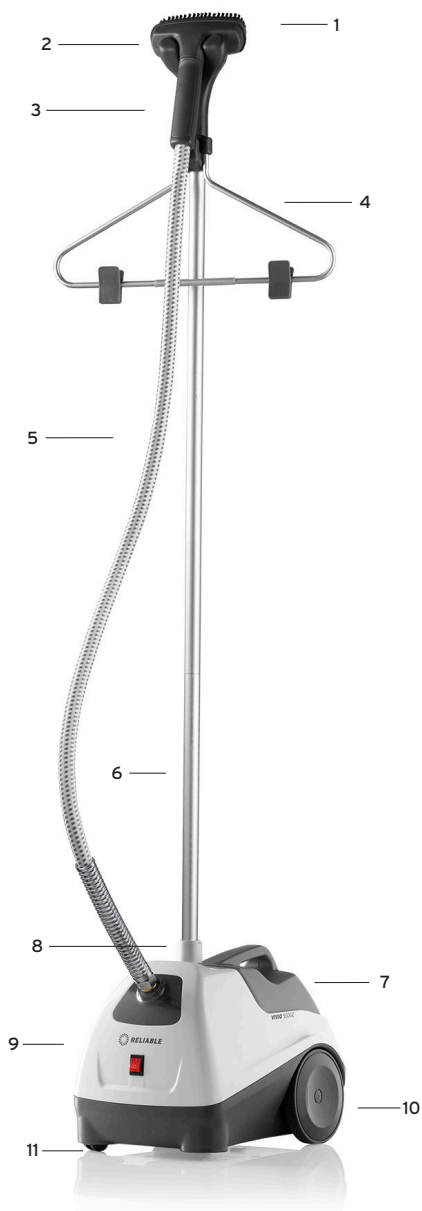
- 1 Brush (removable)
- 2 Steam head
- 3 Handle
- 4 Hanger
- 5 Steam Hose
- 6 Rod set (supports steam hose)
- 7 Bottle
- 8 Rod set holder
- 9 Body of steamer
- 10 Wheels
- 11 Casters

FRANÇAIS

- 1 Brosse (amovible)
- 2 Collecteur de vapeur
- 3 Manette
- 4 Cintre
- 5 Boyau de vapeur
- 6 Ensemble de tirant (soutient le boyau de vapeur)
- 7 Bouteille
- 8 Support pour ensemble de tirant
- 9 Corps du vaporisateur
- 10 Volants
- 11 Roulettes

ESPAÑOL

- 1 Cepillo (para remover)
- 2 Cabezal de vapor
- 3 Mango
- 4 Percha
- 5 Manguera de vapor
- 6 Varilla (soporta la manguera de vapor)
- 7 Botella
- 8 Soporte de la varilla
- 9 Cuerpo del vaporizador
- 10 Ruedas
- 11 Rueditas



WHAT'S IN THE BOX - VIVIO 550GC

QU'Y A-T-IL DANS LA BOITE - VIVIO 550GC

QUÉ HAY EN LA CAJA - VIVIO 550GC



VIVIO 550GC PARTS IDENTIFIER

ENGLISH

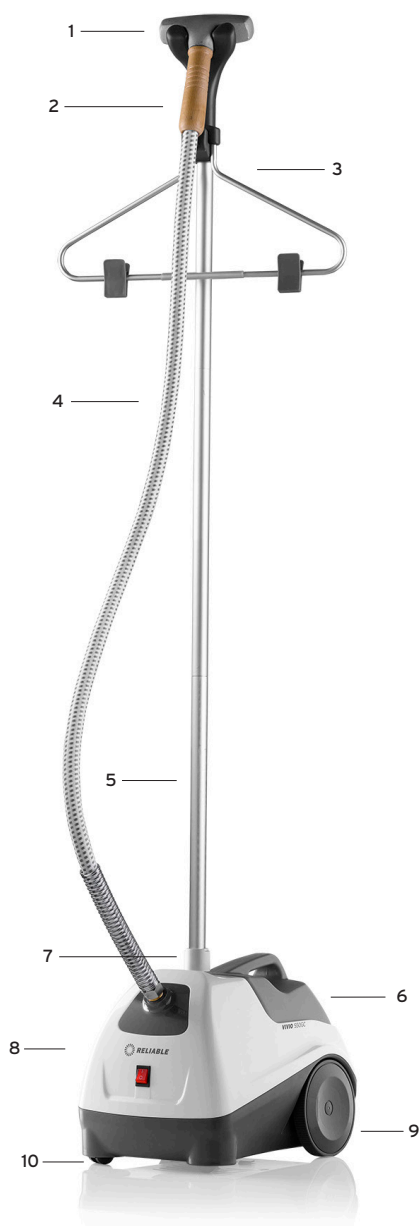
- 1 Metal steam head
- 2 Wood handle
- 3 Hanger
- 4 Steam hose
- 5 Rod set (supports steam hose)
- 6 Bottle
- 7 Rod set holder
- 8 Body of steamer
- 9 Wheels
- 10 Casters

FRANÇAIS

- 1 Collecteur de vapeur métallique
- 2 Manette en bois
- 3 Cintre
- 4 Boyau de vapeur
- 5 Ensemble de tirant (soutient le boyau de vapeur)
- 6 Bouteille
- 7 Support pour ensemble de tirant
- 8 Corps du vaporisateur
- 9 Volants
- 10 Roulettes

ESPAÑOL

- 1 Cabezal de vapor metálico
- 2 Mango de madera
- 3 Percha
- 4 Manguera de vapor
- 5 Varilla (soporta la manguera de vapor)
- 6 Botella
- 7 Soporte de la varilla
- 8 Cuerpo del vaporizador
- 9 Ruedas
- 10 Rueditas



VIVIO 500GC & VIVIO 550GC INSTRUCTION MANUAL ENGLISH

RELIABLE. RIGHT THERE WITH YOU.

At Reliable, we do what we love, and take pride in doing it right. You want what's best for the people, places and things that matter in your life - from where you live to what you wear. So do we. From the start, we approach every product with a craftsman's attention to detail and passion for making it right. Quality, functionality, design and customer service play an equally important part in delivering what's right for you.

With its vigorous, firm stance the 500GC/550GC was designed to withstand the rigor of daily retail use while presenting a totally new, fresh face that will fit into any modern retail or home environment.

For your safety and to fully enjoy the advantages of this product, please take a few minutes to read all the important safeguards and care instructions. Keep this manual handy and review the product warranty for your reference.

THANK YOU FOR YOUR PURCHASE. PLEASE SHARE YOUR RELIABLE PRODUCT EXPERIENCE BY POSTING AN ONLINE REVIEW ON THE WEBSITE FROM WHICH YOU PURCHASED. WE GREATLY APPRECIATE IT!

IMPORTANT SAFETY INSTRUCTIONS

Your Reliable Vivio 500GC/Vivio 550GC steamer is made for professional and home use. Please follow these basic instructions to ensure your safety:

- Read all instructions before using the steamer.
- In order to prevent harm, when the steamer begins to steam, be sure to face the steam head away from your body.
- Use the steamer only for its intended use.
- To protect against electrical shock, do not immerse the steamer in water or other liquids.
- To disconnect the plug from the wall outlet, gently remove the plug (do not pull on the cord).
- Do not allow the cord to touch a hot surface. After use, allow to completely cool before storage.
- When filling with water, emptying or while not in use, always make sure that the steamer is disconnected.
- Make sure the power switch is in the off position when plugging or unplugging the unit from the wall circuit.
- Before turning the power switch on, make sure the water bottle has been filled.
- Do not operate the garment steamer with a damaged cord, plug or if the steamer has been dropped or damaged. This will void any and all warranties. Please contact the place of purchase for repair procedure.
- Close supervision is necessary for any steamer being used by or near children. Do not leave the steamer unattended while connected
- Burns could occur from touching hot metal parts, hot water, or steam. Use care when you turn a steam appliance upside down - there may be hot water in the reservoir.
- Never steam near a person's body, as the steam is extremely hot.
- If an extension cord is necessary, use a 15 amp rated cord. Cords rates for less amperage may overheat. Care should be taken to arrange the cord so that the cord cannot be pulled or tripped over.
- To reduce the likelihood of a circuit overload, do not operate another high wattage appliance on the same circuit.

SAVE THESE INSTRUCTIONS

FEATURES & PERFORMANCE

- One-gallon (3.8L) water capacity
- Heavy-duty brass heating element
- Super-flex steam hose
- Bottle won't fall off steamer
- No need to empty steamer after each use
- Automatic shut-off feature with thermal fuse
- Stores upright in a small space
- Steam head - 2x the thickness of other brands (Vivio 500GC model)
- Removable brush (Vivio 500GC model)
- Metal head with wood handle (Vivio 550GC model)
- Easy roll casters for maneuverability

HOW TO STEAM

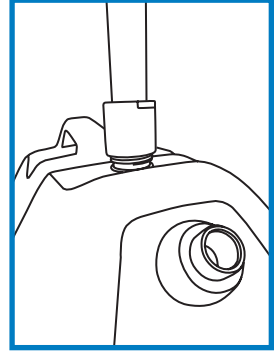
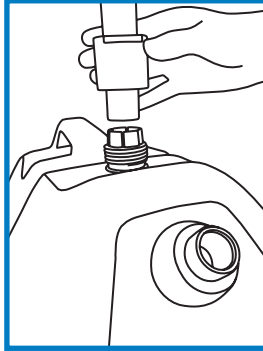
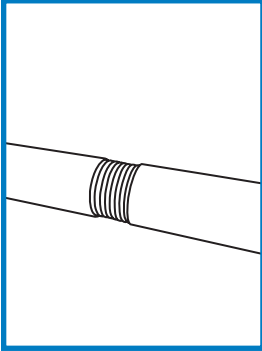
Fabric care professionals know and appreciate the value of steam for gently de-wrinkling all type of fabrics. Fabric steaming is fast and safe, and has a myriad of applications including clothing, upholstery, (auto and home) window fashions, and linens. Your Reliable Vivio 500GC/Vivio 550GC garment steamer has been designed to provide the best quality steam for these tasks. Here are a few tips:

1. It is important to make sure that the steam hose is in an upright (vertical) position so that any condensation can flow back to the steamer. If you do have to steam in a low position it is suggested that you frequently lift the steam head up so that the hose is extended.
2. For very long articles, like pants or coats, it might be helpful to put the garment on the Vivio's available hanger.
3. This will allow you to steam higher up, and reduce the chance of condensation forming in the steam hose.
4. It may be helpful to gently pull the bottom of the garment (hem) to allow the steam to penetrate the fabric and release the wrinkles. This may be particularly useful at the seam of a garment.
5. It is not necessary to "push" the steam head onto the fabric. Lightly touching the material is all that is usually needed. For fabrics with a nap (corduroy, velvet, velour), the brush that is included with the Vivio 500GC model is very helpful for refreshing the fabric while protecting the nap of the fabric.
6. Some garments may react better if they are steamed from the inside.
7. Retail clothing stores know the advantage of having a garment steamer on the sales floor, ready for quick touch ups to make the garment look like new again. While you can easily store the Vivio 500GC/Vivio 550GC when not in use (the water should be drained from the unit if it will be stored for a long period of time) the best way to use the steamer is like the pros. Have it in a convenient spot where you will use it the most frequently. For some people that would be in their laundry room, for others it's in their bedroom. Because the Vivio 500GC/Vivio 550GC heats up so quickly (less than one minute) it is the perfect solution to the un-wearable wrinkled blouse or sweater. Plug it in, turn it on, sixty seconds later a few waves of the steam head and you are looking your best... everyday.

ASSEMBLY INSTRUCTIONS

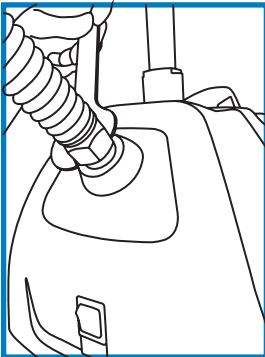
①

The 3-piece rod set that holds up the steam head needs to be screwed together. When done, place the rod set into the rest that holds it in place and tighten until secure.



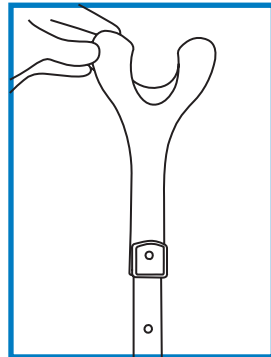
②

With the supplied wrench (found underneath the unit), attach the hose to the body of the steamer and tighten until it is snug.



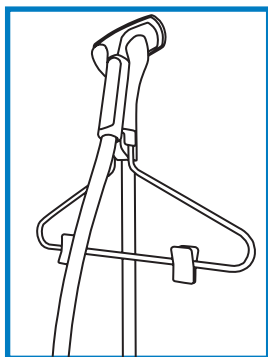
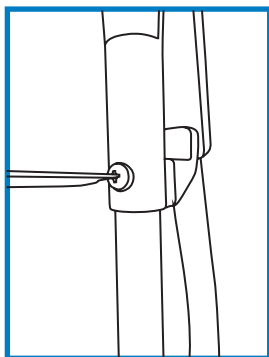
③

Place the yoke/rest onto the top of the rod set.



4

The hook needs to be attached to the rod set using the screw provided. Use this hook to rest the removable hanger.



INSTRUCTIONS FOR USE

The Vivio 500GC/Vivio 550GC is easy to use, and easy to set up.

1. The clothing clips can be added or removed from the hanger.
2. Remove the cap from the water bottle. Fill the water bottle with regular tap or distilled water; replace the cap and invert the bottle, placing it in the body of the steamer.
3. Always make sure there is water in the bottle. **DO NOT ALLOW THE STEAMER TO RUN DRY.**
4. Turn the unit on, wait for about sixty seconds for the steam to start.
5. It is a good idea to periodically pour old water out of the steamer to avoid mineral build-up.

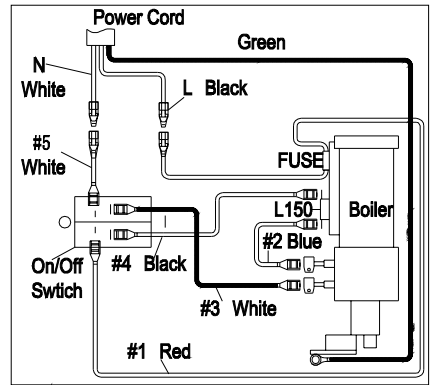
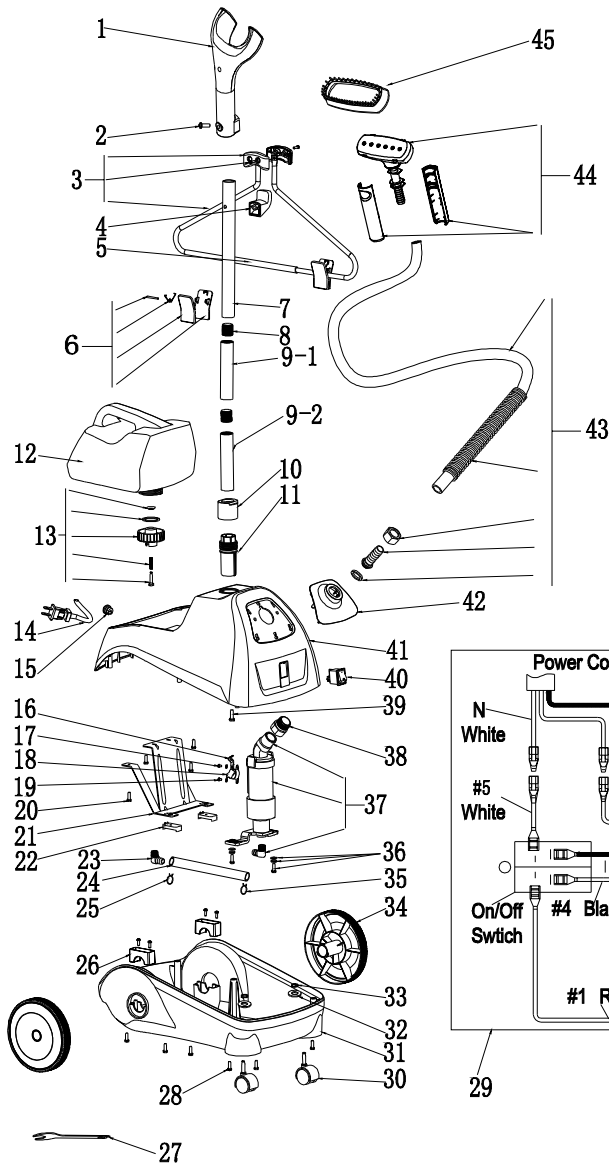
NOTE: If rinsing the unit does not improve the performance, the steamer may require more thorough cleaning. This must be done by an authorized service center only, or the warranty will be void.

TROUBLESHOOTING

Do not operate the garment steamer with a damaged cord, plug or if the steamer has been dropped or damaged. To avoid risk of electric shock, do not disassemble or attempt to repair the unit on your own. Return the unit to Reliable Corporation (see warranty) for examination, repair or replacement.

PROBLEM	POSSIBLE CAUSES	REMEDY
Steamer does not get hot.	<ol style="list-style-type: none"> 1. Steam unit is not plugged in or turned on. 2. Automatic shut-off has engaged. The water bottle is empty and the reservoir has drained. 	<ol style="list-style-type: none"> 1. Plug the steamer in. Turn it on. 2. Push the on/off switch to the off position. Fill the water bottle and fit it in place. Turn on.
The unit is not producing steam.	<ol style="list-style-type: none"> 1. Water level is too low. 2. Element may not be functioning. 	<ol style="list-style-type: none"> 1. Push the on/off switch to the off position. Refill the water bottle and fit it in place. Turn on. 2. Replace heating element.
Unit produces little steam and cycles on/off.	<ol style="list-style-type: none"> 1. Unit is dirty and requires cleaning. 2. The thermostat may be defective. 	<ol style="list-style-type: none"> 1. Throw the old water out and flush the unit. 2. Replace thermostat.
The switch light does not illuminate when the switch is turned to the on position.	<ol style="list-style-type: none"> 1. Switch is not working. 2. Cord is not good. 3. Fuse wire is bad. 4. The outlet may not have power. 	<ol style="list-style-type: none"> 1. Replace part. 2. Replace part. 3. Replace part. 4. Try plugging into a different outlet.
Water drips from nozzle.	<ol style="list-style-type: none"> 1. Condensation has formed inside the steamer hose. 	<ol style="list-style-type: none"> 1. Hold the hose upright and allow to drain back into the base of the unit.

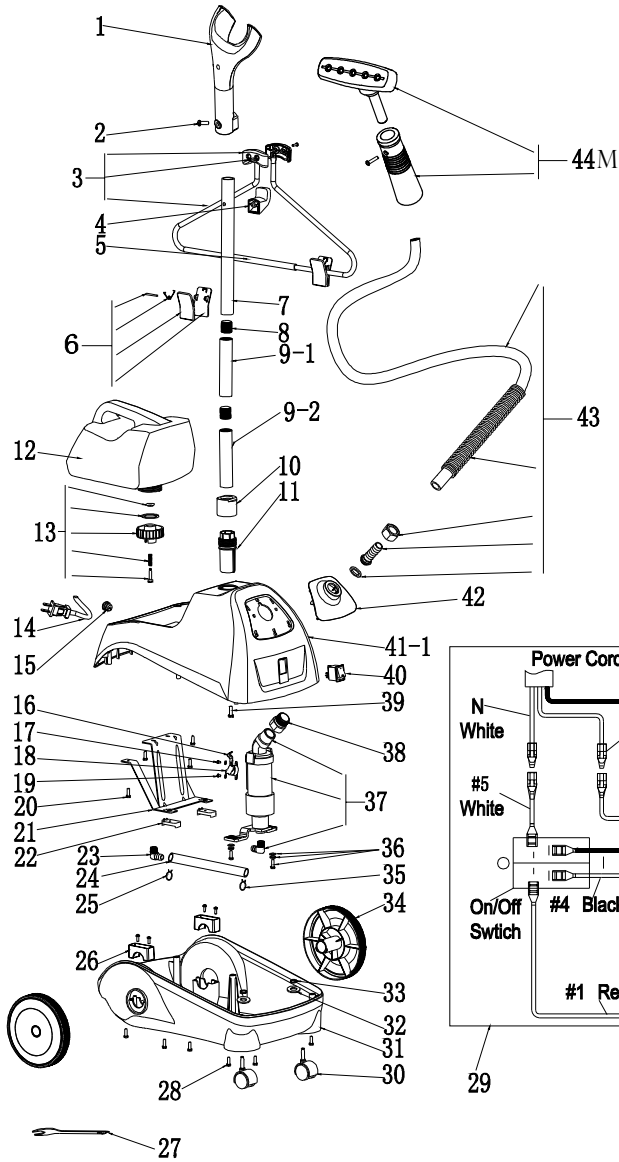
VIVIO 500GC



VIVIO 500GC PARTS LIST

REF. NO.	DESCRIPTION
1	Steam Head Cradle Assembly
2	Screw
3	Hanger Assembly
4	Hook
5	Hanger Sleeve
6	Clothes Clip
7	Tube 1
8	Tube Connector
9 - 1	Tube 2
9- 2	Tube 3
10	Tube Lock Nut
11	Pole Base
12	Water Container
13	Container Cap
14	Power Cord
15	Strain Relief Bushings
16	Clamp
17	Screw
18	Thermostat
19	Screw
20	Screw
21	Heater Bracket
22	Insulation Pad
23	Plastic Connector
24	Silicone Tube
25	Tubing Clamp
26	Wheel Fixation
27	Wrench
28	Screw
29	Internal Wiring
30	Caster
31	Bottom Housing
32	Washer
33	Washer
34	Wheel
35	Tubing Clamp
36	Screw Assembly
37	Brass Element
38	Venthole Connector
39	Screw
40	On/Off Switch
41	Top Housing
42	Hose Bezel
43	Steam Hose Assembly
44	Steam Head Assembly
45	Steam Head Brush

VIVIO 550GC



VIVIO 550GC PARTS LIST

REF. NO.	DESCRIPTION
1	Steam Head Cradle Assembly
2	Screw
3	Hanger Assembly
4	Hook
5	Hanger Sleeve
6	Clothes Clip
7	Tube 1
8	Tube Connector
9 - 1	Tube 2
9- 2	Tube 3
10	Tube Lock Nut
11	Pole Base
12	Water Container
13	Container Cap
14	Power Cord
15	Strain Relief Bushings
16	Clamp
17	Screw
18	Thermostat
19	Screw
20	Screw
21	Heater Bracket
22	Insulation Pad
23	Plastic Connector
24	Silicone Tube
25	Tubing Clamp
26	Wheel Fixation
27	Wrench
28	Screw
29	Internal Wiring
30	Caster
31	Bottom Housing
32	Washer
33	Washer
34	Wheel
35	Tubing Clamp
36	Screw Assembly
37	Brass Element
38	Venthole Connector
39	Screw
40	On/Off Switch
41	Top Housing
42	Hose Bezel
43	Steam Hose Assembly
44M	Steam Head Assembly

RELIABLE CORPORATION 3-YEAR PRODUCT WARRANTY POLICY FOR THE VIVIO GARMENT STEAMER (MODEL 500GC + 550GC)



Reliable Corporation (“Reliable”) warrants to the original purchaser of the garment steamer noted above from Reliable (the “Vivio”) that for a period of three (3) years from the date of purchase it will be free from defects in materials and workmanship when utilized for normal household use by the original purchaser only.

Subject to the conditions and limitations set forth herein, Reliable will either repair or replace any part of a Vivio that proves defective by reason of improper workmanship or materials. If the defective Vivio is no longer available and cannot be repaired effectively or replaced with an identical model, Reliable shall replace the defective machine with a current Reliable machine of equal or greater value. Replacement products will be provided by Reliable on an exchange basis, and will be either new or refurbished to be functionally equivalent to new. If Reliable is unable to replace a Vivio, it will refund the current value of that Reliable machine at the time the warranty claim is made.

This limited warranty does not cover any damage to the Vivio that results from improper installation, accident, abuse, misuse, unreasonable use, natural disaster, abnormal mechanical or environmental conditions or any unauthorized disassembly, repair or modification. This limited warranty does not extend to any indirect, consequential or incidental damages that may be suffered by a user from the use of the Reliable Vivio, including without limitation, any liability for third party claims for damage, and is limited to the amount paid by the original purchaser for the Vivio with respect to which this limited warranty protection applies. This limited warranty does not apply with respect to products that have been altered or for products not purchased directly from Reliable or a dealer authorized by Reliable to sell the Reliable Vivio.

This limited warranty is the only warranty that applies to the Reliable Vivio garment steamer, supersedes any and all terms that may be contained in any other document or purchase order and may not be altered or amended except expressly in writing by Reliable.

To obtain a repair or replacement under the terms of this warranty, please contact our customer service group at 1 800 268 1649 or at support@reliablecorporation.com. You will be required to submit an original receipt via fax or e-mail. The receipt must reflect that you are the original purchaser, the product was bought directly from Reliable or from an authorized Reliable dealer and that the warranty claim is being made in compliance with the terms set out in this document or any subsequent document issued by Reliable in connection with this policy. You will be issued a return authorization number (RA#) and asked to ship the defective product together with proof of purchase and RA#, prepaid insured to the following address: Reliable Corporation, 5-100 Wingold Ave, Toronto, ON M6B 4K7.

Freight collect shipments will be refused. The risk of loss or damage in transit will be borne by the customer. Once Reliable receives the defective product, it will initiate the repair or replacement process.

If you have any questions regarding this warranty, you may write to:

Reliable Corporation
100 Wingold Avenue, Unit 5
Toronto, Ontario
Canada M6B 4K7
www.reliablecorporation.com



VIVIO 500GC & VIVIO 550GC GUIDE D'UTILISATION FRANÇAIS

RELIABLE. TOUJOURS LÀ POUR VOUS.

Chez Reliable, nous aimons ce que nous faisons, et nous sommes fiers de ce que nous accomplissons. Vous voulez ce qu'il y a de mieux pour les gens, les endroits et les choses qui importent dans votre vie - depuis l'endroit où vous habitez jusqu'aux vêtements que vous portez. Nous aussi. Depuis le début, nous concevons chaque produit avec l'attention qu'un artisan porte aux détails et sa passion de le réaliser parfaitement. La qualité, la fonctionnalité, la conception et le service à la clientèle jouent des rôles également importants pour vous fournir ce qui vous correspond.

Avec sa position solide et vigoureuse, le 500GC/550GC a été conçu pour résister aux rigueurs de l'utilisation de détail quotidienne tout en présentant un visage tout à fait nouveau qui s'adaptera à tous les environnements domestiques et de détails modernes.

Pour votre sécurité et pour profiter pleinement des avantages de ce produit, veuillez prendre quelques minutes pour lire toutes les mises en garde et les instructions d'entretien importantes. Conservez ce manuel à portée de main et consultez la garantie du produit à titre de référence.

NOUS VOUS REMERCIONS DE VOTRE ACHAT. NOUS VOUS INVITONS À FAIRE PART DE VOTRE EXPÉRIENCE AVEC CE PRODUIT RELIABLE EN PUBLIANT UNE ÉVALUATION EN LIGNE SUR LE SITE WEB AUPRÈS DUQUEL VOUS AVEZ EFFECTUÉ VOTRE ACHAT. NOUS VOUS EN SERIONS RECONNAISSANTS !

CONSIGNES DE SÉCURITÉ IMPORTANTES

Votre presseur Reliable Vivio 500GC/Vivio 550GC est conçu pour une utilisation professionnelle et domestique. Veuillez suivre ces instructions de base pour assurer votre sécurité :

- Veuillez lire l'ensemble des instructions avant toute utilisation de ce presseur.
- Afin d'éviter les blessures, assurez-vous de diriger la tête à vapeur à l'opposé de votre corps aussitôt que la vapeur commence à s'échapper du presseur.
- Utilisez uniquement le presseur dans le but pour lequel il est prévu.
- Afin de vous protéger contre les décharges électriques, n'immergez pas le presseur dans l'eau ni dans tout autre liquide.
- Pour débrancher la fiche de la prise de courant, tirez doucement la fiche (ne tirez pas sur le cordon).
- Ne laissez pas le cordon d'alimentation toucher une surface chaude. Après l'utilisation, laissez l'appareil refroidir complètement avant de le ranger.
- Lors du remplissage d'eau, de la vidange ou lorsqu'il n'est pas utilisé, assurez-vous toujours que le presseur est débranché.
- Assurez-vous que l'interrupteur est en position d'arrêt au moment de brancher ou de débrancher l'unité de la prise de courant.
- Avant de mettre l'interrupteur en position de marche, assurez-vous que le bac d'eau est rempli.
- Ne faites pas fonctionner le presseur avec un cordon ou une prise endommagé(e), ou si le presseur est tombé ou est endommagé. Cela annule toute garantie. Veuillez contacter le lieu d'achat pour la procédure de réparation.
- Une étroite supervision est nécessaire si un presseur est utilisé par ou à proximité d'enfants. Ne laissez pas le presseur allumé sans surveillance.
- Toucher les parties métalliques chaudes, l'eau chaude ou la vapeur présente un risque de brûlures. Faites preuve de prudence lorsque vous retournez l'appareil à vapeur - il pourrait y avoir de l'eau chaude dans le réservoir.
- Ne défroissez jamais à proximité d'une autre personne, car la vapeur est extrêmement chaude.
- Si une rallonge est nécessaire, un cordon de 15 ampères doit être utilisé. Les rallonges d'intensité inférieure présentent un risque de surchauffe. Disposez-la minutieusement afin d'éviter de la tirer ou de trébucher dessus.
- Pour réduire la possibilité d'une surcharge du circuit, ne faites pas fonctionner simultanément un autre appareil de grande puissance sur le même circuit que le presseur.

CONSERVEZ CES CONSIGNES

CARACTÉRISTIQUES ET PERFORMANCE

- Capacité d'eau de 3,8 litres (1 gal.)
- Élément chauffant durable en laiton
- Tuyau à vapeur Super-flex
- Le bac d'eau reste bien en place
- Plus besoin de vider le presseur après chaque utilisation
- Fonctionnalité d'arrêt automatique avec fusible thermique
- Rangement vertical dans des espaces réduits
- Brosse amovible (modèle Vivio 500GC)
- Tête en métal avec poignée en bois (modèle Vivio 550GC)
- Galets à roulement facile pour la manœuvrabilité

COMMENT DÉFROISSER

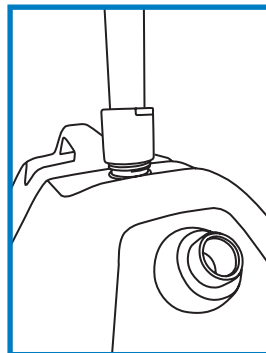
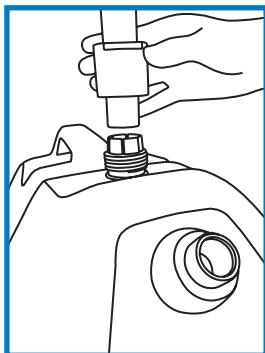
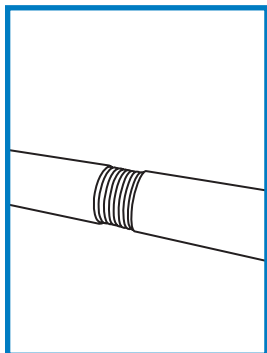
Les professionnels d'entretien de tissus connaissent et apprécient la valeur de la vapeur pour défroisser tous les types de tissus en douceur. Le défroissage de tissus est rapide et efficace, et a une multitude d'applications, notamment les vêtements, les tissus, les tissus d'ameublement, les tentures (de voiture et de maison) et les literies. Votre presseur Vivio 500GC/Vivio 550GC a été conçu pour fournir la meilleure qualité de vapeur pour ces tâches. Voici quelques conseils :

1. Il est important de vous assurer que le tuyau à vapeur soit en position verticale afin que toute condensation puisse passer vers le défroisseur. Si vous devez utiliser l'appareil en position basse, il est recommandé de lever fréquemment la tête à vapeur de sorte que le tuyau soit déroulé.
2. Pour les articles très longs, tels que les pantalons ou les manteaux, il peut être utile de poser le vêtement sur le porte-vêtement intégré Vivio.
3. Cela vous permettra de défroisser plus haut et de réduire les risques de formation de condensation dans le tuyau à vapeur.
4. Il peut être utile de tirer doucement sur le bas du vêtement (ourlet) pour permettre la pénétration de la vapeur dans le tissu et de défroisser. Cela peut être particulièrement utile près des coutures d'un vêtement.
5. Il n'est pas nécessaire de « pousser » la tête à vapeur sur le tissu. Il suffit généralement de toucher légèrement le matériel. La brosse qui est incluse avec le modèle Vivio 500GC est très utile pour rafraîchir les tissus à poil (le velours côtelé, le velours, le velours épais) tout en protégeant le poil du tissu.
6. Certains vêtements peuvent mieux se défroisser de l'intérieur.
7. Les magasins de vêtements connaissent l'avantage d'avoir un presseur sur place, prêt aux retouches rapides pour procurer une apparence neuve aux vêtements. Bien que vous puissiez ranger le Vivio 500GC/Vivio 550GC lorsqu'il n'est pas utilisé (l'eau doit être évacuée de l'unité si vous comptez le ranger pendant une période prolongée), le meilleur moyen d'utiliser le presseur est à la façon des professionnels. Gardez-le dans un endroit où il sera facile d'accès pour une utilisation fréquente. Pour certaines personnes, il s'agira de la salle de lavage et pour d'autres, la chambre. Comme le Vivio 500GC/Vivio 550GC se réchauffe rapidement (en moins d'une minute), il est la solution idéale pour un chemisier ou un chandail froissé et importable. Branchez-le, allumez-le et soixante secondes plus tard quelques passes avec la tête à vapeur vous permettent de faire bonne impression... tous les jours.

INSTRUCTIONS DE MONTAGE

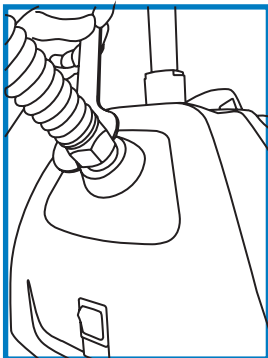
①

Les trois tiges qui soutiennent la tête à vapeur doivent être vissées. Posez ensuite l'ensemble de tiges dans le dispositif qui le maintient en place.



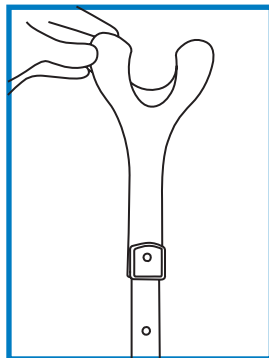
②

Avec la clé fournie (qui se trouve en dessous de l'appareil), fixer le tuyau au corps du steamer et serrer jusqu'à ce qu'il soit bien ajusté.



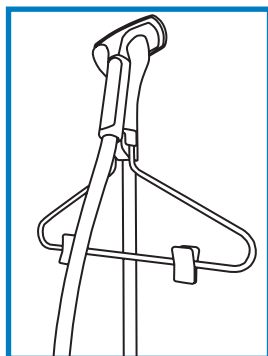
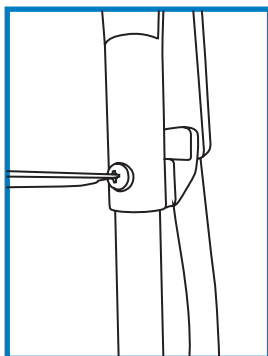
③

Placez le joug / reste sur le dessus de l'ensemble de tiges.



4

Le crochet doit être fixé à l'ensemble de tiges à l'aide de la vis fournie . Utilisez ce crochet pour se reposer le cintre amovible.



MODE D'EMPLOI

Le 500GC/Vivio 550GC est simple à utiliser et simple à assembler.

1. Les clips de vêtements peuvent être ajoutés ou retirés de la suspension .
2. Enlevez le bouchon du bac d'eau. Remplissez le bac d'eau du robinet ou distillé, remettez le bouchon et inversez le bac en le posant dans le corps du presseur.
3. Assurez-vous toujours qu'il y a de l'eau dans le bac. **NE LAISSEZ PAS LE PRESSEUR FONCTIONNER À SEC.**
4. Pour mettre l'unité en marche, attendez environ soixante secondes pour activer la vapeur.
5. Il est préférable d'évacuer périodiquement l'eau usée du presseur pour éviter les dépôts minéraux.

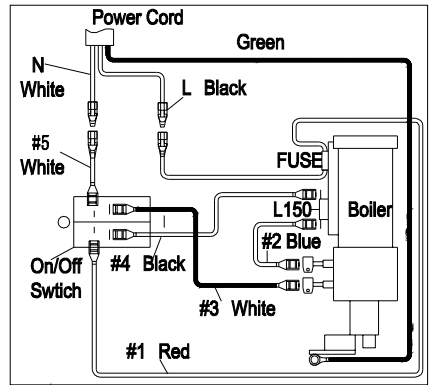
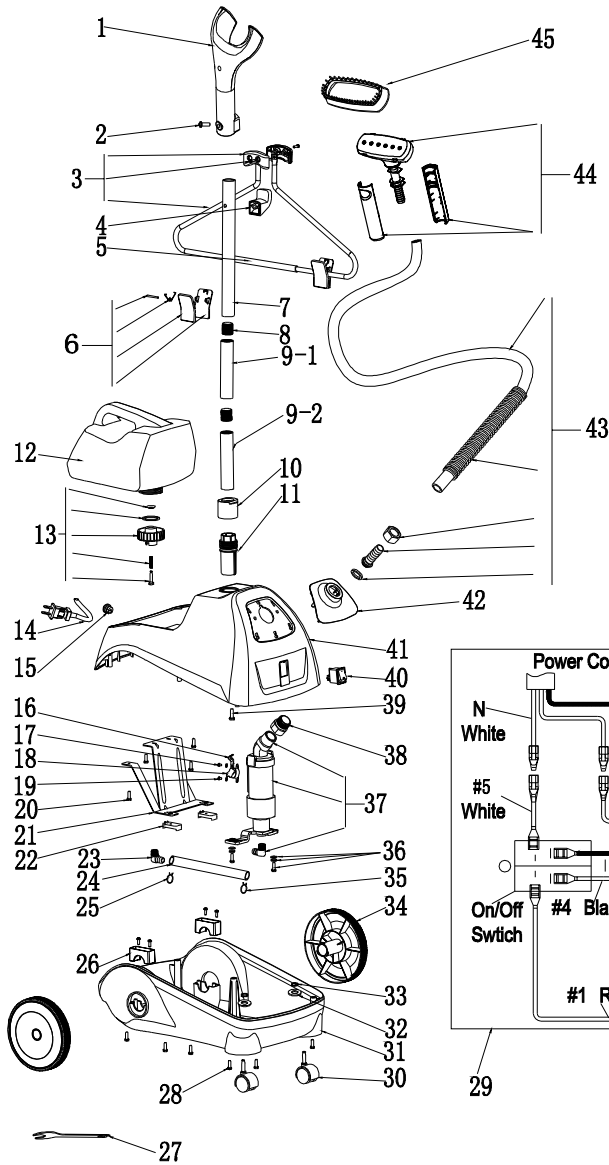
REMARQUE : Si le rinçage de l'unité n'améliore pas la performance, le presseur peut nécessiter un nettoyage plus en profondeur. Cela doit être effectué par un centre de service agréé uniquement ou la garantie ne sera plus valide.

DÉPANNAGE

N'utilisez jamais le centrale vapeur si le cordon ou la fiche de l'appareil est endommagé ou si l'appareil a été échappé ou endommagé. N'essayez jamais de démonter ou de réparer vous-même le défroisseur afin d'éviter tout risque de choc électrique. Pour inspection, réparation ou remplacement, veuillez apporter l'appareil défectueux à Reliable Corporation (voir garantie).

PROBLÈME	CAUSE POSSIBLE	SOLUTION
Le défroisseur ne se réchauffe pas.	<ol style="list-style-type: none">1. L'appareil n'est pas branché ou en position de marche (ON).2. L'arrêt automatique s'est déclenché. Le bac d'eau est vide et le réservoir s'est égoûté.	<ol style="list-style-type: none">1. Branchez l'appareil. Mettez l'appareil en marche.2. Mettez l'interrupteur en position d'arrêt (OFF). Remplissez le bac d'eau et mettez-le en place. Mettez l'appareil en marche.
L'appareil ne produit pas de vapeur.	<ol style="list-style-type: none">1. Le niveau d'eau est trop bas.2. Il est possible que l'élément ne fonctionne pas.	<ol style="list-style-type: none">1. Mettez l'interrupteur en position d'arrêt (OFF). Remplissez le bac d'eau et mettez-le en place. Mettez l'appareil en marche.2. Remplacez l'élément chauffant.
L'appareil produit peu de vapeur et alterne entre l'état de marche (ON) et d'arrêt (OFF).	<ol style="list-style-type: none">1. L'appareil est sale et nécessite un nettoyage.2. Le thermostat peut être défectif.	<ol style="list-style-type: none">1. Jetez l'eau sale et nettoyez l'unité à grande eau.2. Remplacez le thermostat.
Le voyant de mise en circuit ne s'illumine pas lorsque l'interrupteur est en position de marche (ON).	<ol style="list-style-type: none">1. L'interrupteur ne fonctionne pas.2. Le cordon est endommagé.3. Le fil fusible est défectueux.4. La prise de courant n'est peut-être pas alimentée de courant.	<ol style="list-style-type: none">1. Remplacez la pièce.2. Remplacez la pièce.3. Remplacez la pièce.4. Essayez de brancher l'appareil dans une prise de courant différente.
De l'eau dégoutte du diffuseur de vapeur.	<ol style="list-style-type: none">1. De la condensation s'est formée à l'intérieur du tuyau à vapeur.	<ol style="list-style-type: none">1. Tenir le tuyau en position verticale pour permettre l'écoulement dans la base de l'appareil.

VIVIO 500GC



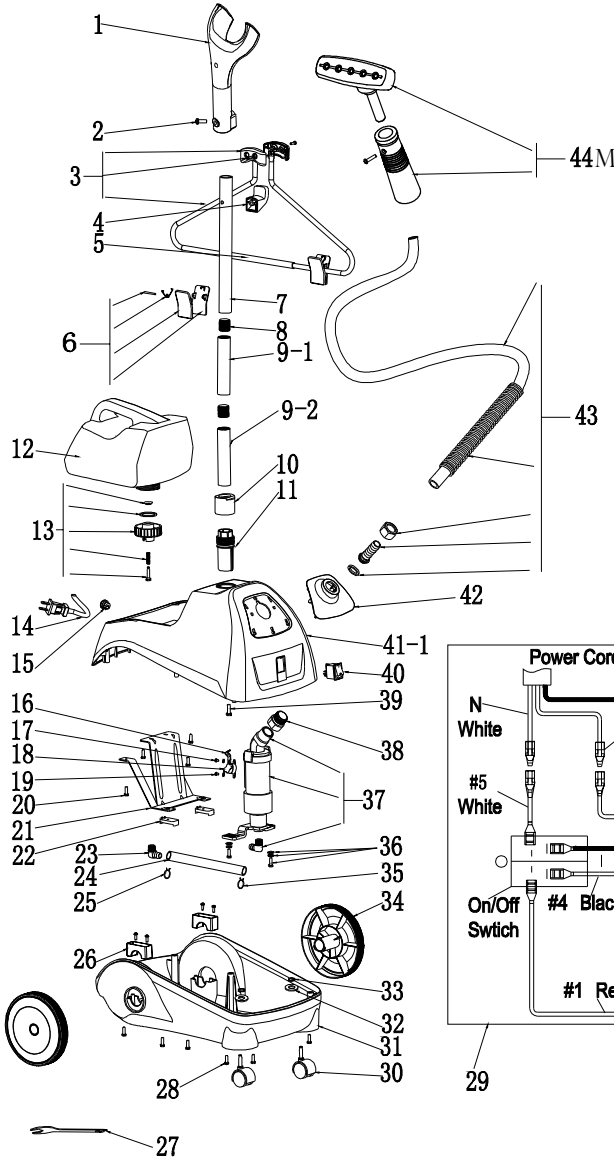
LISTE DES PIÈCES VIVIO 500GC

RÉF. N°

DESCRIPTION

1	Berceau de tête à vapeur
2	Vis
3	Cintre
4	Crochet
5	Manchon de dispositif de suspension
6	Clip de vêtements
7	Tuyau 1
8	Raccord de tuyau
9 - 1	Tuyau 2
9 - 2	Tuyau 3
10	Tuyau écrou
11	Base de poteau
12	Réservoir d'eau
13	Bouchon de réservoir
14	Cordon d'alimentation
15	Passe-fils antitraction
16	Bride
17	Vis
18	Thermostat
19	Vis
20	Vis
21	Support de l'élément
22	Plaque isolante
23	Raccord en plastique
24	Tuyau en silicone
25	Bride de tubage
26	Fixation de roue
27	Spanner
28	Vis
29	Fil interne
30	Roulette
31	Boîtier inférieur
32	Rondelle
33	Rondelle
34	Roue
35	Bride de tubage
36	Vis assemblage
37	Chauffe-eau
38	Connecteur trou d'aération
39	Vis
40	Marche / arrêt
41	Sommet inférieur
42	Lunette de tuyau
43	Ensemble de tuyau
44	Ensemble de tête à vapeur
45	Brosse de tête à vapeur

VIVIO 550GC



LISTE DES PIÈCES VIVIO 550GC

RÉF. N°

DESCRIPTION

1	Berceau de tête à vapeur
2	Vis
3	Cintre
4	Crochet
5	Manchon de dispositif de suspension
6	Clip de vêtements
7	Tuyau 1
8	Raccord de tuyau
9 - 1	Tuyau 2
9 - 2	Tuyau 3
10	Tuyau écrou
11	Base de poteau
12	Réservoir d'eau
13	Bouchon de réservoir
14	Cordon d'alimentation
15	Passe-fils antitraction
16	Bride
17	Vis
18	Thermostat
19	Vis
20	Vis
21	Support de l'élément
22	Plaque isolante
23	Raccord en plastique
24	Tuyau en silicone
25	Bride de tubage
26	Fixation de roue
27	Spanner
28	Vis
29	Fil interne
30	Roulette
31	Boîtier inférieur
32	Rondelle
33	Rondelle
34	Roue
35	Bride de tubage
36	Vis assemblage
37	Chauffe-eau
38	Connecteur trou d'aération
39	Vis
40	Marche / arrêt
41	Sommet inférieur
42	Lunette de tuyau
43	Ensemble de tuyau
44M	Ensemble de tête à vapeur

RELIABLE PRODUCTS WARRANTY



Reliable Corporation (« Reliable ») garantit à l'acheteur original de ce produit que chaque produit vendu par Reliable (un « Produit Reliable ») est exempt de tout défaut de pièce et de main d'œuvre pour une période d'un an à compter de la date d'achat, s'il est utilisé et entretenu correctement. Soumis aux conditions et limitations établies ci-après, Reliable réparera ou remplacera toute pièce d'un produit Reliable qui s'avère défectueuse en raison d'un défaut de fabrication ou de main d'œuvre. Si le Produit Reliable défectueux n'est plus disponible et ne peut pas être réparé efficacement ou remplacé par un modèle identique, Reliable remplacera le Produit Reliable défectueux par un Produit Reliable actuel de valeur équivalente ou supérieure. Les pièces réparées ou les produits remplacés seront fournis par Reliable sur la base d'un échange, et seront ou neufs ou remis à neuf pour être fonctionnellement équivalents aux neufs. Si Reliable n'est pas en mesure de réparer ou de remplacer le Produit Reliable, elle remboursera la valeur actuelle du Produit Reliable au moment où la réclamation de garantie est réalisée.

Cette garantie limitée ne couvre aucun dommage subi par un Produit Reliable résultant d'une installation incorrecte, d'un accident, d'un abus, d'une mauvaise utilisation, d'une catastrophe naturelle, d'une alimentation électrique insuffisante ou excessive, de conditions mécaniques ou environnementales anormales, de l'usure et de la détérioration résultant de l'usure normale du produit, ou de tout démontage, réparation ou modification non autorisé(e). Cette garantie limitée ne s'étend à aucun dommage indirect ou direct dont peut être victime un utilisateur ou suite à l'utilisation d'un Produit Reliable, y compris mais sans s'y limiter, toute responsabilité pour des réclamations de tiers pour des dégâts, et se limite au montant payé par l'acheteur original du Produit Reliable auquel cette protection de garantie limitée s'applique. Cette garantie limitée ne s'applique pas aux produits qui ont été modifiés ou dont les numéros de séries sont manquants, ou aux produits non achetés directement auprès de Reliable ou d'un revendeur agréé pour la vente de Produits Reliable.

Cette garantie limitée est l'unique garantie qui s'applique à tout Produit Reliable, elle remplace toutes conditions qui peuvent être contenues dans un autre document ou bon de commande et ne peut être transformée ou modifiée, sauf dérogation expressément écrite de Reliable.

Pour obtenir une réparation ou un remplacement en vertu des conditions de cette garantie, veuillez contacter notre service à la clientèle au 1-800-268-1649 ou par courriel à support@reliablecorporation.com.

Il vous sera demandé d'envoyer le reçu original par télécopie ou courriel. Le reçu doit prouver que vous êtes l'acheteur original, que le produit a été acheté directement chez nous ou chez un revendeur agréé par Reliable et que la réclamation de garantie est effectuée pendant la période de garantie. Un numéro d'autorisation de retour (N° AR) vous sera fourni et il vous sera demandé d'expédier le produit défectueux accompagné de la preuve d'achat et du N° AR, les frais d'assurances étant prépayés à l'adresse suivante :

Reliable Corporation, 5-100 Wingold Avenue, Toronto, ON M6B 4K7. Les expéditions avec fret payable à destination seront refusées. Le risque de perte ou d'endommagement lors du transport sera assumé par le client. Une fois que Reliable aura reçu le produit défectueux, elle initiera la réparation ou le remplacement.

Si vous avez des questions concernant la présente garantie, vous pouvez écrire à :

Reliable Corporation
100 Wingold Avenue, Unit 5
Toronto, Ontario
Canada M6B 4K7
www.reliablecorporation.com



VIVIO 500GC Y VIVIO 550GC MANUAL DE INSTRUCCIONES ESPAÑOL

RELIABLE. AHÍ, JUNTO A USTED.

En Reliable hacemos lo que nos gusta, y nos enorgullece hacer las cosas bien. Usted quiere lo mejor para las personas, los sitios y las cosas que son importantes en su vida: ya sea el lugar en el que vive o lo que viste. Nosotros también. Desde el inicio, abordamos cada producto con la atención al detalle de un artesano y con la pasión por hacer lo correcto. Calidad, funcionalidad, diseño y atención al cliente tienen un rol de igual importancia para brindarle lo que usted necesita.

Con su posición firme y vigorosa, el 500GC/550GC fue fabricado para soportar el rigor del uso diario del mercado minorista, a la vez que presenta una apariencia totalmente nueva y fresca, que encaja en cualquier entorno moderno del hogar o del mercado minorista.

Para su seguridad y con el propósito de disfrutar plenamente de las ventajas de este producto, dedique algunos minutos a leer todas las medidas de protección e instrucciones para el cuidado del artefacto. Conserve a mano este manual y consulte el certificado de garantía del producto.

GRACIAS POR SU COMPRA. COMPARTA SU EXPERIENCIA CON EL PRODUCTO RELIABLE Y PUBLIQUE UNA RESEÑA EN LÍNEA EN EL SITIO WEB DONDE LO COMPRÓ. ¡MUCHAS GRACIAS!

INSTRUCCIONES DE SEGURIDAD IMPORTANTES

Su vaporizador Vivio 500GC/Vivio 550GC de Reliable está diseñado para el uso profesional y hogareño. Por favor, siga estas instrucciones básicas para garantizar su seguridad:

- Lea todas las instrucciones antes de usar el vaporizador.
- Para evitar lesiones, cuando el vaporizador comience a emitir vapor, oriéntelo en dirección contraria a usted.
- Utilice el vaporizador únicamente con el fin para el cual está diseñado.
- Para evitar descargas eléctricas, no sumerja el vaporizador en agua u otros líquidos.
- Para desconectar el enchufe del tomacorriente de la pared, tire suavemente del enchufe (no tire del cable).
- Evite que el cable entre en contacto con una superficie caliente. Después de usar la unidad, espere que se enfríe completamente antes de guardarla.
- Cerciórese de que la unidad esté desenchufada del tomacorriente siempre que la llene de agua, la vacíe o no esté en uso.
- Asegúrese de que el interruptor esté en la posición de apagado al enchufar o desenchufar la unidad del tomacorriente.
- Antes de encender el aparato, asegúrese de que la botella de agua se encuentre llena.
- No opere el vaporizador para prendas si el cable o el enchufe están dañados, o si el aparato se ha caído o está dañado. El uso del aparato en esas condiciones anulará todas las garantías. Para reparaciones, comuníquese con el establecimiento donde compró la unidad.
- Supervise atentamente si un niño maneja el vaporizador o si hay niños cerca cuando se usa. No deje el vaporizador sin supervisión mientras está conectado.
- Puede sufrir quemaduras si toca las piezas metálicas calientes, el agua caliente o el vapor. Tenga cuidado al invertir un aparato a vapor, ya que puede haber agua caliente dentro del depósito.
- Nunca vaporice cerca del cuerpo de una persona, dado que el vapor es extremadamente caliente.
- Si es necesario el uso de un cable de extensión, utilice uno de 15 amperes. Los cables con valores nominales de amperaje más bajos pueden recalentarse. Tenga cuidado al acomodar el cable, de modo tal que no tiren de él ni ocasionen tropiezos.
- Para evitar la posibilidad de una sobrecarga en el circuito, no ponga en funcionamiento otro aparato de alto vataje en el mismo circuito.

GUARDE ESTAS INSTRUCCIONES

CARACTERÍSTICAS Y RENDIMIENTO

- Capacidad de agua de un galón (3.8 litros)
- Elemento calentador de bronce reforzado
- Manguera de vapor Super-flex
- La botella no se caerá del vaporizador
- No es necesario vaciar el vaporizador después de cada uso
- Dispositivo de apagado automático con fusible térmico
- Se guarda en posición vertical en un espacio pequeño
- Escobilla desmontable (modelo Vivio 500GC)
- Cabezal de metal con mango de madera (modelo Vivio 550GC)
- Ruedas para desplazamiento fácil

CÓMO SE VAPORIZA

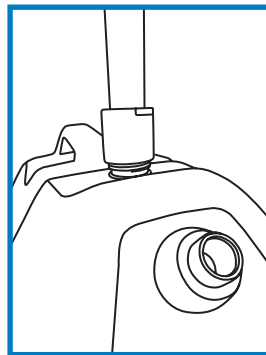
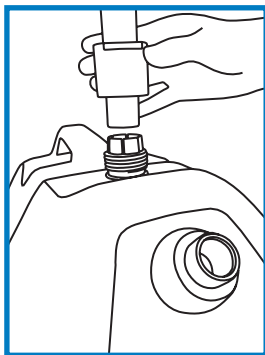
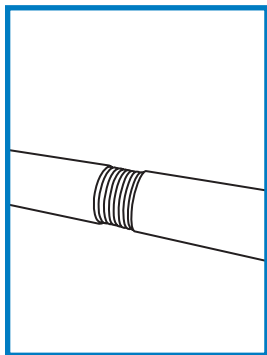
Los profesionales dedicados al cuidado de telas saben y aprecian el vapor para desarrugar suavemente todo tipo de telas. La vaporización de telas es rápida y segura, y tiene miles de aplicaciones, que incluyen ropa, tapicería (del hogar y el automóvil), cortinas para ventanas y ropa blanca. El vaporizador para prendas Vivio 500GC/Vivio 550GC de Reliable ha sido fabricado para brindar la mejor calidad de vapor para estas tareas. A continuación, encontrará algunos consejos:

1. Es importante asegurarse de que la manguera de vapor esté en posición recta (vertical) para que cualquier condensación vuelva al vaporizador. Si tiene que usar el vaporizador en una posición baja, se sugiere que eleve con frecuencia el cabezal de vapor para que la manguera esté extendida.
2. Para los artículos muy largos, pantalones o abrigos, podría ser útil colgar la prenda en la percha de Vivio.
3. Esto le permitirá pasar el vaporizador más arriba, y reducir la posibilidad de condensación, que se forma en la manguera de vapor.
4. Puede ser útil tirar suavemente de la parte inferior de la prenda (doblado) para permitir que el vapor penetre en la tela y saque las arrugas. Esto puede ser particularmente útil en las costuras de la prenda.
5. No es necesario “presionar” el cabezal de vapor sobre la tela. Todo lo que se requiere es tocar suavemente el material. Para las telas con pelo (corderoy, terciopelo, velour), la escobilla que viene incluida en el modelo Vivio 500GC es muy útil para refrescar la tela, a la vez que se protege su pelo.
6. Algunas prendas reaccionan mejor si se las limpia desde el interior.
7. Las tiendas de ropa conocen la ventaja de disponer de vaporizadores en el piso de ventas para retoques rápidos que devuelven a las prendas la apariencia de nuevas. Si bien puede guardar fácilmente el Vivio 500GC/Vivio 550GC cuando no lo usa (debería drenarse el agua de la unidad si se va a guardar por un largo periodo de tiempo), la mejor manera de usar el vaporizador es como lo hacen los profesionales. Téngalo en un lugar cómodo donde lo usará con mayor frecuencia. Para algunas personas, ese lugar sería el lavadero; para otras, su dormitorio. Dado que Vivio 500GC/Vivio 550GC se calienta de inmediato (menos de un minuto), es la solución perfecta para desarrugar un suéter o una blusa. Enchúfelo, enciéndalo y, sesenta segundos después, pase el cabezal del vaporizador varias veces por la prenda y lucirá impecable... a diario.

LAS INSTRUCCIONES DE INSTALACIÓN

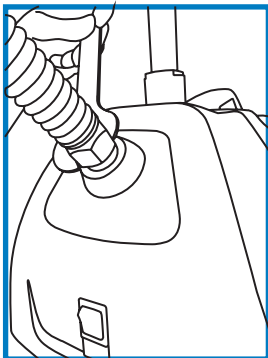
1

Las 3 piezas del soporte del cabezal del vaporizador deben unirse enroscándose. Luego coloque el soporte en el dispositivo que lo mantiene en posición.



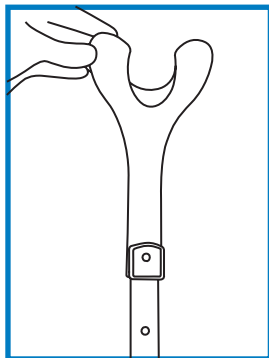
2

Con la llave suministrada (que se encuentra debajo de la unidad), conectar la manguera al cuerpo del vapor y apretar hasta que quede ajustado.



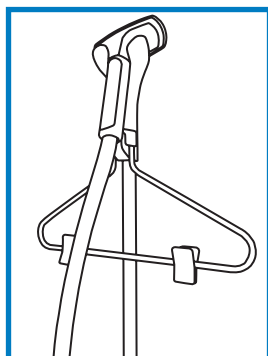
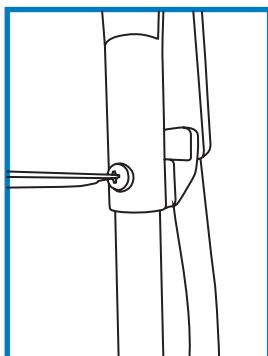
3

Coloque el yugo / resto en la parte superior del conjunto de varilla.



4

El gancho debe ser incluida en el set varilla con el tornillo proporcionado. Utilizar este gancho para descansar el soporte extraíble.



INSTRUCCIONES DE USO

El Vivio 500GC/Vivio 550GC es fácil de usar y fácil de instalar.

1. Los clips de ropa se pueden agregar o quitar de la percha .
2. Destape la botella y llénela de agua regular de la llave o de agua destilada, tape la botella, inviértala y colóquela en el cuerpo del vaporizador.
3. Asegúrese de que siempre haya agua en la botella. **NO DEJE QUE EL VAPORIZADOR SE SEQUE.**
4. Encienda la unidad y espere unos sesenta segundos para que comience a salir vapor.
5. Es una buena idea drenar periódicamente el agua que queda en el vaporizador a fin de evitar la formación de sarro.

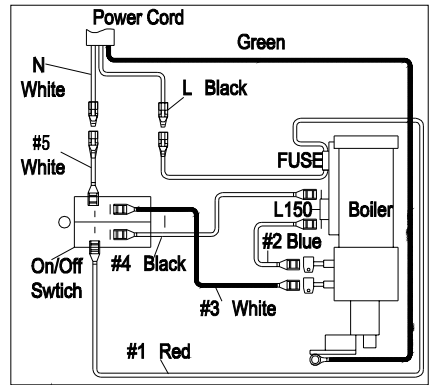
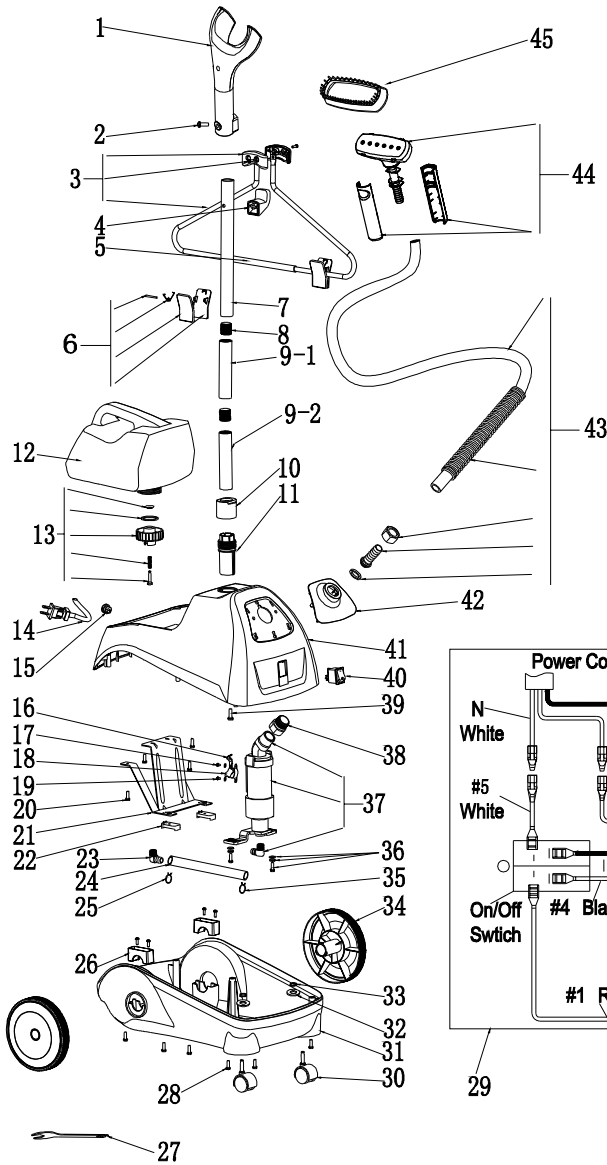
NOTA: Si el lavado de la unidad no mejora el rendimiento, el vaporizador puede requerir una limpieza más profunda. Solo debe realizarse la limpieza en un centro de servicio autorizado, o la garantía se anulará.

DIAGNÓSTICO Y SOLUCIÓN DE PROBLEMAS

No opere el vaporizador de prenda si el cordón o su enchufe estuviesen dañados ni después que se haya caído o dañado; porque esto anulará su garantía. Para evitar el riesgo de choque eléctrico, no intente desarmar la unidad por su cuenta; devuélvala a Reliable Corporation para su inspección, reparación o reemplazo (vea la garantía).

PROBLEMA	CAUSAS POSIBLES	SOLUCIÓN
El vaporizador no calienta.	<ol style="list-style-type: none"> 1. El vaporizador no está enchufado o encendido. 2. El interruptor automático está activado. La botella de agua está vacía y el reservorio se ha drenado. 	<ol style="list-style-type: none"> 1. Enchufe y encienda el vaporizador. 2. Presione el interruptor a la posición de apagado (OFF). Llene la botella de agua y colóquela en su posición. Encienda la unidad.
La unidad no produce vapor.	<ol style="list-style-type: none"> 1. Nivel de agua muy bajo. 2. El elemento calentador podría estar defectuoso. 	<ol style="list-style-type: none"> 1. Presione el interruptor a la posición de apagado (OFF). Llene la botella de agua y colóquela en su posición. Encienda la unidad. 2. Reemplace el elemento calentador.
La unidad produce poco vapor y se apaga y enciende.	<ol style="list-style-type: none"> 1. La unidad está sucia y requiere limpieza. 2. El termostato podría estar defectuoso. 	<ol style="list-style-type: none"> 1. Vacíe el agua vieja y lave la unidad internamente. 2. Reemplace el termostato.
La luz del interruptor no se enciende en posición de encendido.	<ol style="list-style-type: none"> 1. El interruptor está defectuoso. 2. El cordón está defectuoso. 3. El fusible está defectuoso. 4. El tomacorriente de la pared podría no tener corriente. 	<ol style="list-style-type: none"> 1. Reemplazar la pieza. 2. Reemplazar la pieza. 3. Reemplazar la pieza. 4. Pruebe enchufar a otro tomacorriente.
Gotea agua de la boquilla.	<ol style="list-style-type: none"> 1. El vapor se ha condensado dentro de la manguera. 	<ol style="list-style-type: none"> 1. Sostenga la manguera derecha hacia arriba para que el agua drene de regreso a la unidad.

VIVIO 500GC



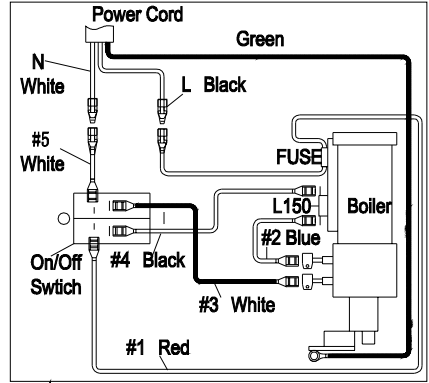
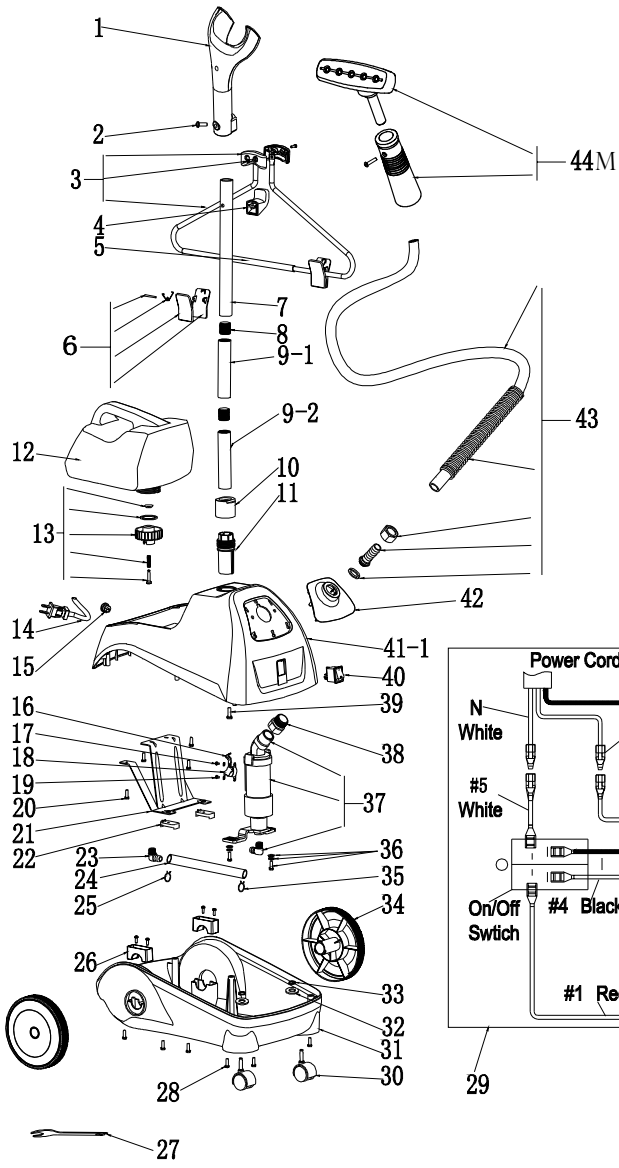
LISTA DE PIEZAS DE VIVIO 500GC

Nº DE REF.

DESCRIPCIÓN

1	Cabeza de vapor asamblea cuna
2	Tornillo
3	Percha
4	Gancho
5	Percha manga
6	Ropa clip
7	Tubo 1
8	Tubo Conector
9 - 1	Tubo 2
9 - 2	Tubo 3
10	Tubo Tuerca de seguridad
11	Soporte Base
12	Contenedor de Agua
13	Tapa de primavera
14	Cable de alimentación
15	De alivio de tensión bujes
16	De la abrazadera
17	Tornillo
18	Termostato
19	Tornillo
20	Tornillo
21	Calentador de soporte
22	Aislamiento almohadilla
23	Conector de plástico
24	Tubo de silicona
25	Abrazadera del tubo
26	Fijación de la rueda
27	Llave
28	Tornillo
29	Cableado
30	Rueda
31	De carcasa inferior
32	Lavadora
33	Lavadora
34	Rueda
35	Abrazadera del tubo
36	Conjunto de tornillos
37	Calentador
38	Conector orificio de ventilación
39	Tornillo
40	Encendido / apagado
41	Vivienda
42	Manguera Bisel
43	De la manguera asamblea
44	Cabeza de vapor asamblea
45	Cepillo del cabezal de vapor

VIVIO 550GC



LISTA DE PIEZAS DE VIVIO 550GC

Nº DE REF.

DESCRIPCIÓN

1	Cabeza de vapor asamblea cuna
2	Tornillo
3	Percha
4	Gancho
5	Percha manga
6	Ropa clip
7	Tubo 1
8	Tubo Conector
9 - 1	Tubo 2
9 - 2	Tubo 3
10	Tubo Tuerca de seguridad
11	Soporte Base
12	Contenedor de Agua
13	Tapa de primavera
14	Cable de alimentación
15	De alivio de tensión bujes
16	De la abrazadera
17	Tornillo
18	Termostato
19	Tornillo
20	Tornillo
21	Calentador de soporte
22	Aislamiento almohadilla
23	Conector de plástico
24	Tubo de silicona
25	Abrazadera del tubo
26	Fijación de la rueda
27	Llave
28	Tornillo
29	Cableado
30	Rueda
31	De carcasa inferior
32	Lavadora
33	Lavadora
34	Rueda
35	Abrazadera del tubo
36	Conjunto de tornillos
37	Calentador
38	Conector orificio de ventilación
39	Tornillo
40	Encendido / apagado
41	Vivienda
42	Manguera Bisel
43	De la manguera asamblea
44M	Cabeza de vapor asamblea

RELIABLE PRODUCTS WARRANTY



Reliable Corporation (“Reliable”) garantiza al comprador original de sus productos que todas las unidades vendidas por Reliable (un “Producto Reliable”) se encuentran libres de defectos de material y de mano de obra durante el período de un año a partir de la fecha de compra, si son utilizadas correctamente y han recibido el mantenimiento adecuado. En virtud de las condiciones y limitaciones establecidas a continuación, Reliable reparará o reemplazará la pieza de un Producto Reliable que demuestre estar defectuosa a causa de material o fabricación inadecuadas. Si el Producto Reliable defectuoso deja de estar disponible y no se lo puede reparar en forma eficaz ni reemplazar por un modelo idéntico, Reliable cambiará el Producto Reliable defectuoso por un Producto Reliable vigente de igual o mayor valor. Reliable proporcionará piezas reparadas o de repuesto a cambio de las piezas originales, y serán piezas nuevas o reacondicionadas para convertirse en productos funcionalmente equivalentes a piezas nuevas. Si Reliable no puede reparar ni reemplazar un Producto Reliable, reembolsará el valor del Producto Reliable que esté vigente al momento de reclamar la garantía.

Esta garantía limitada no cubre los daños que sufra un Producto Reliable como resultado de una instalación inadecuada, accidente, abuso, uso incorrecto, desastre natural, suministro de energía eléctrica insuficiente o excesivo, condiciones mecánicas o ambientales anormales, desgaste provocado por el uso normal del producto, o cualquier desarme, reparación o modificación no autorizada. Esta garantía limitada no se extiende a ningún daño indirecto, resultante o accidental que el usuario pueda sufrir o que pueda causar el uso de un Producto Reliable, incluyendo, entre otros, la responsabilidad ante los reclamos presentados por terceros; y se limita al monto pagado por el comprador original del Producto Reliable respecto del cual tiene aplicación esta protección de garantía limitada. Esta garantía limitada no es válida para productos que hayan sido modificados o que no tengan número de serie, o para productos que no hayan sido comprados directamente a Reliable o mediante un vendedor certificado que cuente con nuestra autorización para vender Productos Reliable.

Esta garantía limitada es la única que se aplica a todos los Productos Reliable, reemplaza todos los términos que puedan estar contenidos en cualquier otro documento u orden de compra, y no puede ser alterada ni modificada excepto que Reliable así lo haya autorizado expresamente por escrito.

Para obtener una reparación o cambio según los términos de esta garantía, comuníquese con nuestro grupo de atención al cliente al 1-800-268-1649 o escriba a support@reliablecorporation.com. Usted deberá presentar, por fax o correo electrónico, el comprobante original. Este comprobante debe demostrar que usted es el comprador original, que el producto fue adquirido directamente en nuestras oficinas o a un vendedor de Reliable autorizado y que el reclamo de la garantía se realiza dentro del período correspondiente. Usted recibirá un número de autorización (RA#) y deberá enviar el producto defectuoso, junto con el comprobante de compra, el RA# y seguros pagados por adelantado, a la siguiente dirección:

Reliable Corporation, 5-100 Wingold Avenue, Toronto, ON M6B 4K7. Los costos de envío por cobrar serán rechazados. El riesgo de sufrir una pérdida o daño en tránsito será asumido por el cliente. Una vez que Reliable reciba el producto defectuoso, la compañía iniciará el proceso de reparación o reemplazo.

Si tiene preguntas sobre esta garantía, puede escribir a la siguiente dirección:

Reliable Corporation
100 Wingold Avenue, Unit 5
Toronto, Ontario
Canada M6B 4K7
www.reliablecorporation.com



DID YOU KNOW?

**We supply thousands of dry
cleaners and major
department store alteration
shops with ironing stations
and ironing tables.**



RELIABLE

1 800 268 1649

www.reliablecorporation.com