

Like a fine wine, Vintage Products have grown through generations of experience to become the ultimate outdoor cooking and entertainment line. From our remarkably powerful grills and side burners to complete beverage service and refrigeration, the Vintage brand speaks of the finest craftsmanship and truly intelligent design. The Vintage Outdoor Kitchen offers chefs of all abilities the power to create extraordinary meals in an open-air environment.

As any true connoisseur knows, all of the right elements must combine to create something exceptional. Since 2001, Vintage has been that synthesis of style, versatility, and performance.



When you want the best grill possible and have limited space, the Vintage 30" gas grill is your clear choice.

- Ⓢ 55,000 BTUs of grilling power from two 18SR stainless steel conventional burners.
- Ⓢ 15,000 BTU flush-mounted infrared rotisserie burner.
- Ⓢ 542 square inch grilling area with stainless steel grates.
- Ⓢ Dedicated adjustable 7,000 BTU burner smoking system with large drawer.
- Ⓢ Built-in Halogen grill lighting.
- Ⓢ Built-in and cart models available.
- Ⓢ Propane or natural gas.

Model Shown: VBQ30G - 30" Grill
VBQ30GC - 30" Cart



The 36" models are truly powerful culinary tools for the outdoor chef looking to take the next step in outdoor entertainment.

- Ⓢ Three 18SR stainless steel burners producing 82,500 BTUs of grilling power.
- Ⓢ 15,000 BTU flush-mounted infrared rotisserie burner.
- Ⓢ 660 square inch grilling area with stainless steel grates.
- Ⓢ Built-in Halogen grill lighting.
- Ⓢ Built-in and cart models available.
- Ⓢ Propane or natural gas.
- Ⓢ Sear Zone model available (VBQ36SZG).

Model Shown: VBQ36G - 36" Grill
VBQ36GC - 36" Cart



The 42" models are available with a synthesis of features that offer unparalleled performance and reliability in your outdoor kitchen.

- Ⓢ Three 18SR stainless steel burners producing 82,500 BTUs of grilling power.
- Ⓢ 18,000 BTU flush-mounted infrared rotisserie burner.
- Ⓢ 770 square inch grilling area with stainless steel grates.
- Ⓢ Dedicated adjustable 7,000 BTU burner smoking system with large drawer.
- Ⓢ Built-in Halogen grill lighting.
- Ⓢ Built-in and cart models available.
- Ⓢ Propane or natural gas.
- Ⓢ Sear Zone model available (VBQ42SZG).

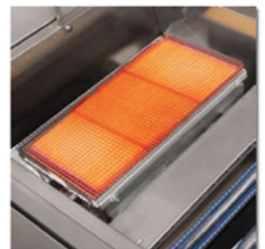
Model Shown: VBQ42G - 42" Grill
VBQ42GC - 42" Cart

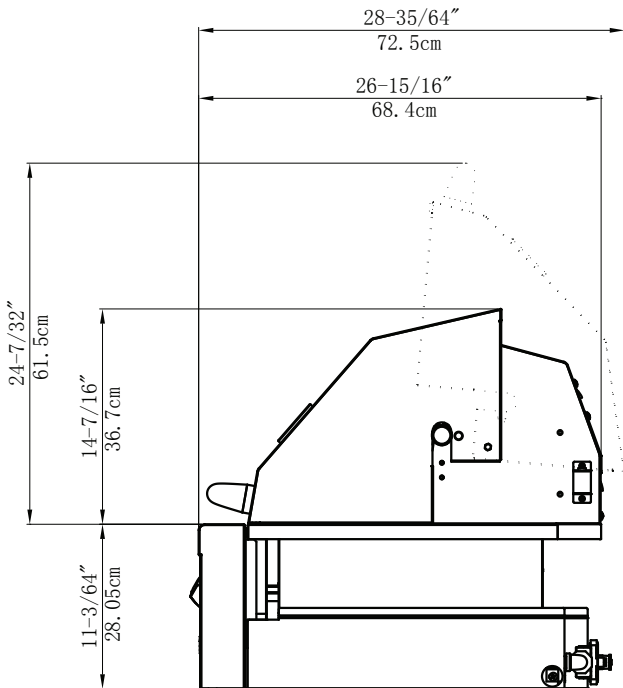
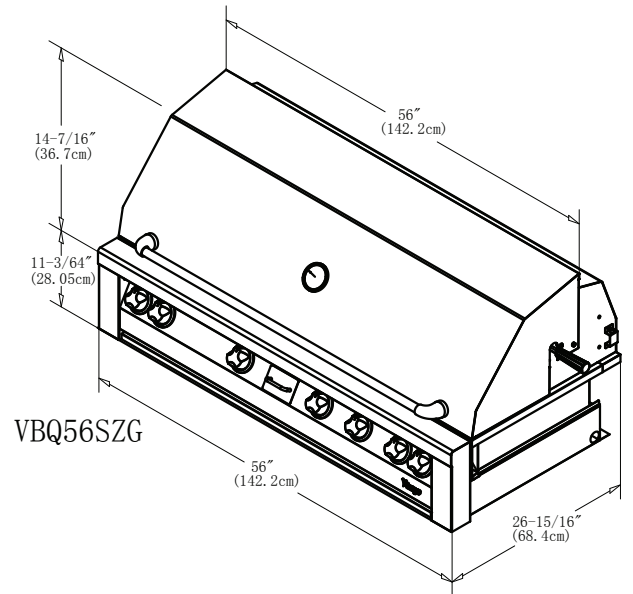
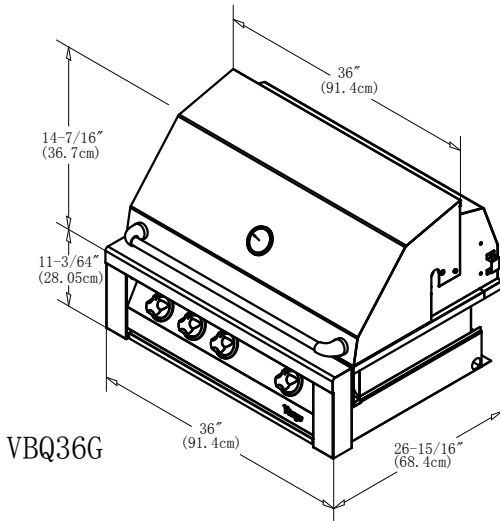
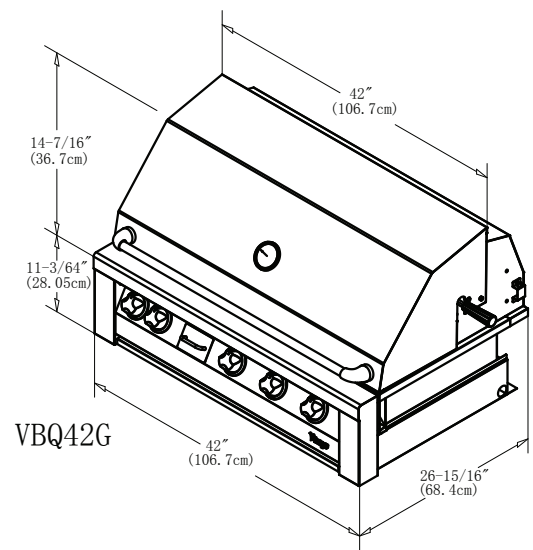
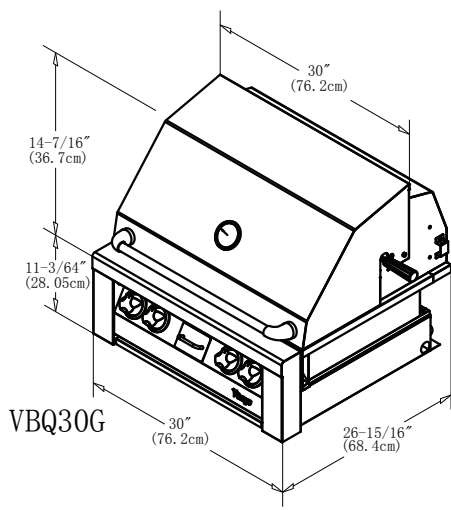


The 56" models are the perfect mix of power and versatility needed for the serious outdoor chef.

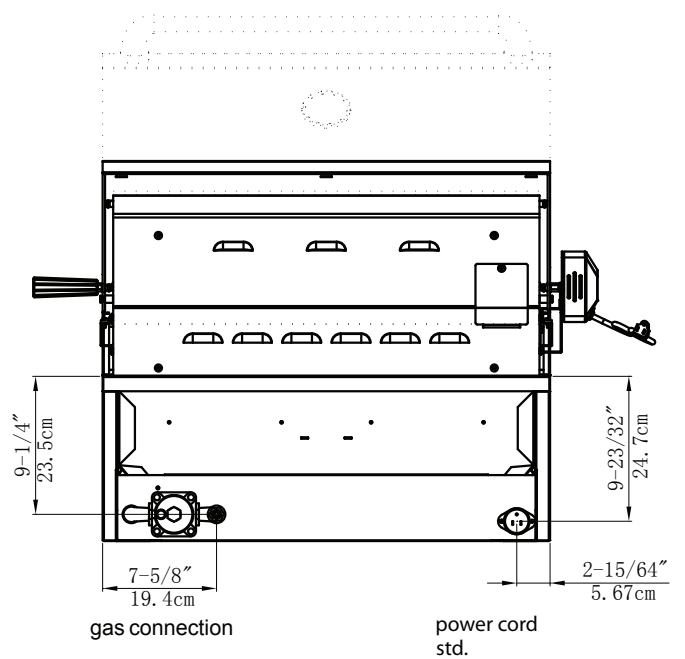
- Ⓢ Three 18SR stainless steel burners producing 82,500 BTUs of grilling power plus an additional 27,500 BTU Infrared Ceramic Sear Zone.
- Ⓢ Dual 15,000 BTU flush-mounted infrared rotisserie burners.
- Ⓢ 998 square inch grilling area with stainless steel grates.
- Ⓢ Dedicated adjustable 7,000 BTU burner smoking system with large drawer.
- Ⓢ Built-in Halogen grill lighting.
- Ⓢ Built-in and cart models available.
- Ⓢ Propane or natural gas.

Model Shown: VBQ56SZG - 56" Grill
VBQ56GC - 56" Cart





SIDE VIEW



REAR VIEW