



UNDERCOUNTER BUILT-IN BEVERAGE CENTER

Viking 5 Series – Builder Select Model – VBFBU

PROFESSIONAL FEATURES

- 5.5 cu. ft. capacity stores up to 162 cans (12-oz.) or 18 wine bottles
- (2) 3-in-1 Glide-Out Convertible Shelves feature removable glass pane with wine rack option to store beverages, food or wine
- Cantilevered shelving system can hold up to 35 lbs.
- Dynamic Cooling Technology delivers temperature stability
- Argon filled, UV-resistant tinted dual pane glass door protects contents
- Digital controls allow you to select a temperature from 34°F to 60°F
- Elegant midnight black interior
- Arctic white LED lighting



VBFBU1242G

MODEL NUMBERS

- VBFBU1242G – Undercounter 24" W. Beverage Center
Panel Ready Frame Glass Door

ACCESSORIES

- PDPUG224SS – Professional Door Panel, Stainless Steel
- CDPUG224SS – Classic Door Panel, Stainless Steel

DESIGN OPTIONS

- Reversible door allows for right or left swing
- Choice of two accessory door handles for each unit
 - Professional Door Panel features the iconic Viking handle for true design integrity
 - Classic Door Panel features a slim handle that coordinates with any kitchen design

WARRANTY

- 1-year full covers complete unit
- 90-day full – cosmetic parts such as glass, painted items, and decorative items
- 5-year limited – sealed refrigeration system



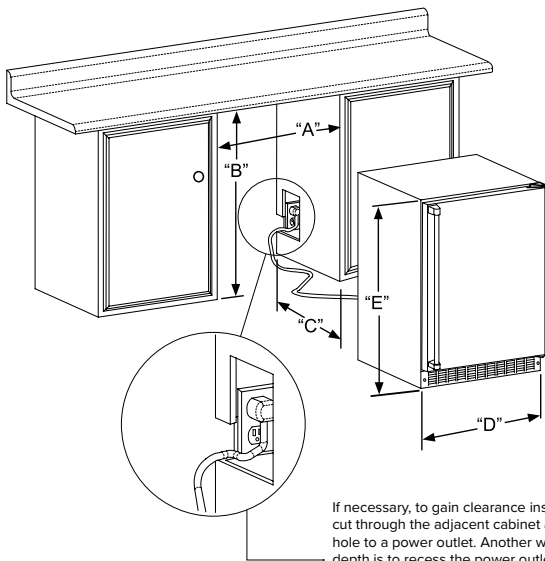
UNDERCOUNTER BUILT-IN BEVERAGE CENTER

Viking 5 Series – Builder Select Model – VBFBU

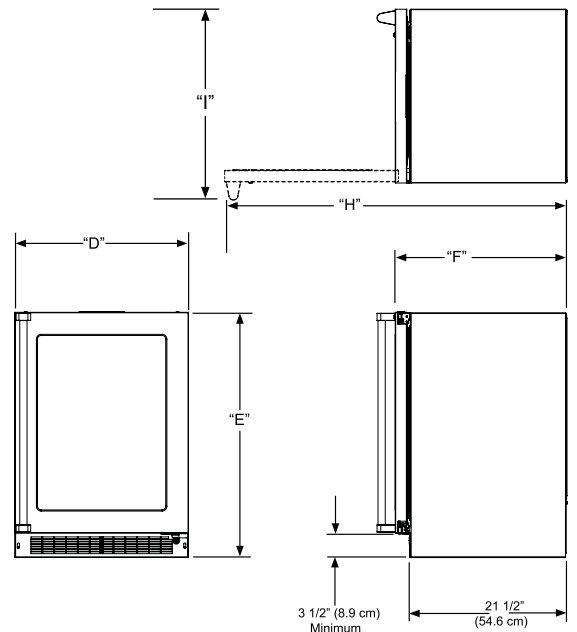
24" W. UNDERCOUNTER BEVERAGE CENTER	
DESCRIPTION	VBFBU1242G
Overall Width	23-7/8" (60.7 cm)
Overall Height	33-3/4" min – 34-3/4" max (85.7 cm to 88.3 cm)
Overall Depth from Rear	To front of door: 23-5/8" (60.2 cm) To handle: 25-1/2" (64.8 cm) With door at 90° angle: 46-3/8" (117.8 cm)
Electrical Requirements	115V/60Hz/15A
Maximum Amp Usage	3.0 amps
Maximum Storage Capacity	5.5 cu. ft.
Interior finish	Black
ENERGY STAR	Yes
Panel Height	29-21/32" (75.3 cm)
Panel Thickness	5/8" (1.6 cm) or 3/4" (1.9 cm)
Panel Type	2-3/4" (7 cm) Frame Glass Panel
Panel Width	23-5/8" (60 cm)
Refrigerant Type	R600a
Sabbath Mode	Yes
Temperature Range	34° F to 60° F
Shipping Dimensions	28" W. x 31" D. x 37" H.
Approximate Shipping Weight	160 lb. (72.6 kg)

Please do not prepare installation from brochure data only. See installation instructions for important clearance/installation information.

Cabinet Dimensions								
A	B	C	D	E	F	G	H	I
24" (61 cm)	34" to 35" (86.4 to 88.9 cm)	24" (61 cm)	23-7/8" (60.7 cm)	33-3/4" to 34-3/4" (85.7 to 88.3 cm)	23-5/8" (60.0 cm)	25-1/2" (64.8 cm)	46-3/8" (117.8 cm)	25-3/4" (65.4 cm)



If necessary, to gain clearance inside the rough-in opening, a hole can be cut through the adjacent cabinet and the power cord routed through this hole to a power outlet. Another way to increase the available opening depth is to recess the power outlet into the rear wall to gain the thickness of the power cord plug. Not all recessed outlet boxes will work for this application as they are too narrow, but a recessed outlet box equivalent to Arlington #DVFR1W is recommended for this application.



VIKING RANGE, LLC 111 FRONT STREET GREENWOOD, MISSISSIPPI 38930 USA

For detailed product information, model numbers, or to request a quote call 1-888-845-4641 or visit vikingrange.com

© 2026 Viking Range, LLC All rights reserved. Specifications subject to change without notice.