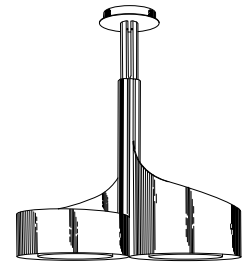


# VERTIGO DOUBLE IM32I100SP RANGE HOOD



All range hoods deal with air, but how many are sculpted by it? The VERTIGO DOUBLE design takes its inspiration from the vortexes of air that surround us.

### FEATURES

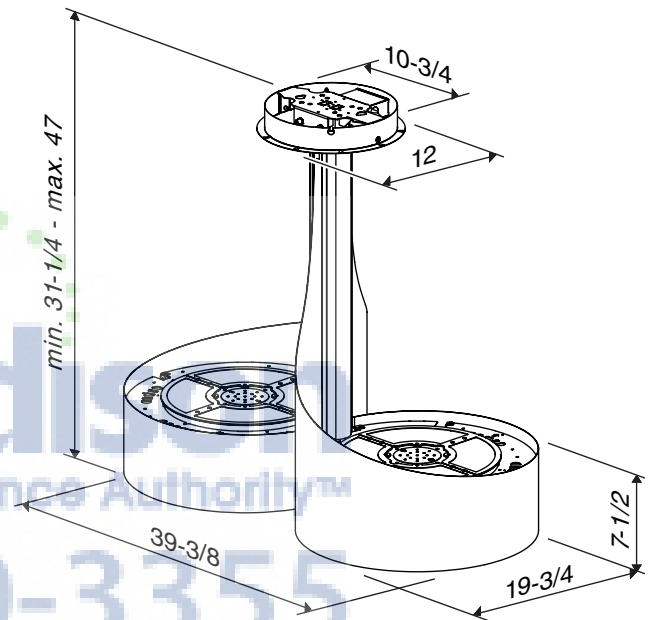
- Italian design
- Ceiling mount
- Finishes: 430 Stainless Steel, Polished
- Width: 100 cm (39-3/8")
- Non-ducted
- Telescopic rods accommodate 8' to 9' ceilings
- Halogen lighting (6 bulbs included. Type T4, G9 base, 120 volt, 20 watts max.)
- Dual 4-speed push-button controls with lighted speed indicator
- Dual motor design - allows independent operation for focused filtration
- Perimeter aspiration provides smooth surfaces to ease cleaning
- Heat Sentry™ - automatically turns blower to high speed when excess cooking heat is detected
- Delay timer control automatically shuts off range hood after 10 minutes
- Filter clean reminder
- For indoor use only

### OPTIONS

- Replacement charcoal filters available (Model AFCIM32)
- Optional remote control (Model ACR1)

### SPECIFICATIONS

VOLTS	HZ	AMPS
120	60	3.38



Mount range hood so bottom of hood is 24" minimum above cooking surface.

BEST Hartford, Wisconsin [www.BestRangeHoods.com](http://www.BestRangeHoods.com) 800-558-1711  
 BEST Drummondville, QC, Canada [www.BestRangeHoods.com](http://www.BestRangeHoods.com) 866-737-7770

REFERENCE	QTY.	REMARKS	Project	
			Location	
			Architect	
			Engineer	
			Contractor	
			Submitted by	Date