



VENTILATION GUIDE

COOKTOP HOODS | DOWNDRAFT SYSTEMS | PRO HOODS | HOOD LINERS



Aj Madison
Your Appliance Authority™
800-570-3355





CONTENTS

| | |
|-------------------------------|----|
| Wolf Ventilation | 3 |
| Wolf Cooktop Ventilation | 6 |
| Cooktop Chimney Hoods | 6 |
| Cooktop Low-Profile Hoods | 12 |
| Downdraft Ventilation Systems | 23 |
| Wolf Pro Ventilation | 30 |
| Pro Low-Profile Wall Hoods | 32 |
| Pro 24" (610) Wall Hoods | 33 |
| Pro 27" (686) Wall Hoods | 34 |
| Pro Wall Chimney Hoods | 35 |
| Pro Island Hoods | 36 |
| Pro Hood Liners | 39 |
| Recirculating Ventilation | 42 |
| Ventilation 101 | 51 |
| Determine the Duct Run | 51 |
| Determine Minimum CFM | 53 |
| CFM Recommendations | 53 |
| Select a Blower | 54 |
| Blower Options | 55 |
| Blower Specifications | 57 |
| Blower Considerations | 71 |
| Warranty Information | 76 |



Features and specifications indicated herein and on our website are subject to change at any time without notice. Check our website, wolfappliance.com for the most up-to-date specifications.

IMPORTANT NOTE

As you follow these instructions, you will notice warning and caution symbols. This blocked information is important for the safe and efficient installation of Wolf equipment. There are two types of potential hazards that may occur during installation.

⚠ CAUTION

signals a situation where minor injury or product damage may occur if you do not follow instructions.

⚠ WARNING

states a hazard that may cause serious injury or death if precautions are not followed.

Another footnote we would like to identify is IMPORTANT NOTE: This highlights information that is especially relevant to a problem-free installation.

WOLF VENTILATION



Ventilation is an integral part of any kitchen. Proper ventilation provides a cleaner, more enjoyable cooking environment by removing the cooking vapors and odors from the cooking area. From downdrafts to 66" (1676) wide wall hoods, Wolf has ventilation products to satisfy all of your customers' needs and preferences. The chart on the following page gives ventilation recommendations for each product line.

Installation instructions shipped with each Wolf ventilation product provide detailed specifications. These instructions can also be found on our website, wolfappliance.com. Work with a qualified installer or Wolf authorized service center technician to ensure that all local codes are followed. Consult a qualified HVAC engineer for specific installation and ducting applications.



The information and images in this guide are the copyright property of Wolf Appliance, Inc., an affiliate of Sub-Zero, Inc. Neither this book nor any information or images contained herein may be copied or used in whole or in part without the express written permission of Wolf Appliance, Inc., an affiliate of Sub-Zero, Inc.

©Wolf Appliance, Inc. all rights reserved.

SELECTING A VENTILATION SYSTEM

Cooktop or Pro Ventilation

Wolf ventilation systems are divided into two categories: Cooktop ventilation and Pro ventilation. Wolf cooktop wall and island hoods are recommended for use with Wolf induction, electric, gas and integrated cooktops and should be at least as wide as the cooking surface. Wolf downdraft ventilation systems are recommended for use with Wolf framed induction, electric and gas cooktops and some integrated modules. They cannot be installed with unframed induction and electric cooktops and steamer and fryer modules. They are not recommended for use with the electric grill module. A Pro ventilation hood is recommended for use with Wolf dual fuel ranges, gas ranges, sealed burner rangetops and gas rangetops.

A downdraft can be used with sealed burner rangetop Models SRT304 and SRT366. An accessory trim kit (810215) is required for this installation. Contact your dealer for details.

The chart below provides a quick reference of recommended ventilation equipment for specific Wolf cooking products.

Updraft or Downdraft

The choice between updraft ventilation and downdraft ventilation will depend on several factors, most notably the cooking appliance being used as well as the installation and installation location. Updraft ventilation, or overhead hood, will normally be a more effective ventilation option. Cooking vapors naturally rise, making it easier to collect and remove them from the cooking area.

Wolf downdrafts provide another effective option for ventilation. The 9" (229) telescope rises up from the countertop and draws cooking vapors away from the cooking surface. Downdraft ventilation is a great option in installations where updraft ventilation is either not wanted or is not a viable option.



| | COOKTOP VENTILATION | | | PRO VENTILATION | | |
|--|---------------------|--------------|------------|-----------------|--------------|--------|
| | WALL HOODS | ISLAND HOODS | DOWNDRAFTS | WALL HOODS | ISLAND HOODS | LINERS |
| COOKTOPS AND MODULES | | | | | | |
| Framed Induction Cooktops | ■ | ■ | ■ | ■ | ■ | ■ |
| Unframed Induction Cooktops | ■ | ■ | | ■ | ■ | ■ |
| Framed Electric Cooktops | ■ | ■ | ■ | ■ | ■ | ■ |
| Unframed Electric Cooktops | ■ | ■ | | ■ | ■ | ■ |
| Gas Cooktops | ■ | ■ | ■ | ■ | ■ | ■ |
| Integrated Modules – CT15/S and IM15/S IG15/S, IS15/S and IF15/S | ■ | ■ | ■ | ■ | ■ | ■ |
| RANGES AND RANGETOPS | | | | | | |
| Dual Fuel Ranges | | | | ■ | ■ | ■ |
| Sealed Burner Rangetops – SRT304 and SRT366 All Other Models | | | ■ | ■ | ■ | ■ |
| Gas Ranges | | | | ■ | ■ | ■ |
| Gas Rangetops | | | | ■ | ■ | ■ |

Dimensions in parentheses are in millimeters unless otherwise specified.

SELECTING A VENTILATION SYSTEM

CFM Recommendations

Ventilation performance is measured in Cubic Feet per Minute, or CFM. The higher the CFM, the greater the amount of air that is evacuated through the ventilation system. CFM recommendations are based on the cooking appliance output. Wolf recommends 1 CFM per 100 Btu/hr.

The chart on page 53 provides minimum CFM recommendations for all Wolf cooking products.

Internal, In-Line or Remote Blower

A ventilation system must include a blower assembly. Most Wolf ventilation hoods and downdrafts are sold as a shell only. There are a few exceptions where internal blowers are included. An internal, in-line or remote blower assembly must be selected to accommodate the cooking appliance requirements and homeowner preferences.

The charts on pages 55–56 provide blower options for all Cooktop and Pro ventilation products.

Internal blowers are mounted inside the hood canopy or downdraft blower box. In-line blowers are mounted in between the hood and the exterior of the home. Remote blowers are mounted on the roof, or in some cases, an exterior wall. Remote mounted blowers will minimize the amount of blower noise, but will not eliminate the noise completely.

Some blower noise is considered normal while the blower is operational. If noise is a concern, a remote blower is recommended. To reduce noise further for remote blower applications, an attenuator may be necessary. Consult a qualified HVAC engineer for specific installation and ducting applications.

Width Guidelines

The minimum hood width recommended for wall installations should be equal to the width of the cooktop or range. If the space is not restricted, a wider hood should be used to increase the capture area.

Island installations require a greater capture area. It is recommended that Wolf island hoods overlap the width of the cooktop or range by a minimum of 3" (76) on either side.

The width of the Wolf downdraft system should match the width of the cooktop.

Ceiling Height

When selecting a Wolf ventilation hood, make sure there is enough ceiling height to accommodate the hood. This can be determined by adding the floor-to-countertop height plus the recommended spacing between the countertop and the bottom of the hood plus the height of the hood. Overall dimensions for all Wolf ventilation products are provided in this guide.

Installation of cooktop wall and island hoods should be 24" (610) to 30" (762) from the bottom of the hood to the countertop. For additional ceiling height guidelines for these chimney-style hoods, refer to pages 19–20.

Installation of Pro wall, wall chimney and island hoods and hood liners should be 30" (762) to 36" (914) from the bottom of the hood to the countertop.

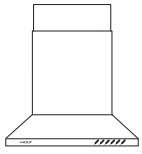
Recirculating Ventilation

Recirculating ventilation units are installed on top of a ventilation hood; no ductwork is required. Recirculating units recycle the air through a charcoal filter and return it to the kitchen. Wolf recirculating units are for use with cooktop low-profile hoods with an internal blower and Pro wall hood Models PW302210, PW362210, PW302418, PW362418, PW302718 and PW362718.

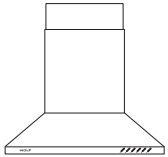
IMPORTANT NOTE: This type of ventilation will not remove heat, moisture or combustion gases from the air. It will also be less effective in reducing odors and smoke.



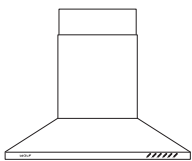
COOKTOP CHIMNEY HOODS



Model CTWH30



Model CTWH36



Model IH4227

Wolf cooktop chimney wall hoods are 21" (533) deep and come in 30" (762) and 36" (914) widths. The cooktop chimney island hood is 42" (1067) wide and 27" (686) deep. The hoods are seamless stainless steel in the classic finish.

Wolf cooktop chimney wall and island hoods are recommended for use with Wolf induction, electric and gas cooktops as well as with integrated modules and should be at least as wide as the cooking surface. A Pro ventilation hood is recommended for use with Wolf dual fuel ranges, gas ranges, sealed burner rangetops and gas rangetops. Refer to page 30 for Pro ventilation specifications.

Cooktop chimney wall and island hoods come with a telescopic chimney flue extension which allows you to reach a ceiling height of 8' (2.4 m) to 9' (2.7 m) with a finished look. A flue extension to accommodate 10' (3 m) ceilings is available as a sales accessory.

Installation of cooktop chimney wall and island hoods should be 24" (610) to 30" (762) from the bottom of the hood to the countertop.

Wolf cooktop chimney hoods are shipped without the blower assembly. Internal, in-line or remote blower assemblies are available as a sales accessory.

IMPORTANT NOTE: Install these ventilation hoods only with a Wolf blower.

Refer to the Cooktop Ventilation chart on page 55 for blower options for each cooktop hood.

Cooktop Chimney Hood Features

Front-Mounted Controls. Easy-access controls with LED indicator lights.

Three-Speed Blower Control. Low, medium and high blower speed control.

Filter Clean Timer. Timer lets you know when the filter needs cleaning. The filter LED will illuminate after approximately 30 hours of operation.

Heat Sentry Feature. This feature automatically turns the unit on when heat is sensed and adjusts blower speed. The Heat Sentry feature is always in wait and is activated when exhaust temperature from hood reaches 200°F (95°C). At this temperature, blower motor speed will automatically adjust to the next highest speed.

Delay-Off Feature. This feature will allow the blower to continue running at the selected speed for a short time after you have left the cooking area. If the blower is on high speed and the Delay-Off feature is activated, the blower will continue to run at high speed for five minutes. Then it will go to low speed for five minutes before the blower is turned off.

Telescopic Chimney. Chimney flue extension fits 8' (2.4 m) to 9' (2.7 m) ceilings. A flue extension to accommodate 10' (3 m) ceilings is available.

Halogen Lighting. Sealed lighting with three settings.

Aluminum Mesh Filters. Dishwasher-safe stainless steel clad, aluminum mesh filters.

UL Listed. Listed to US and Canadian safety standards.

WOLF WARRANTY

Wolf products are covered by a two and five year residential warranty (exclusions apply). See warranty details at the end of this guide.

Dimensions in parentheses are in millimeters unless otherwise specified.

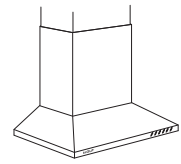
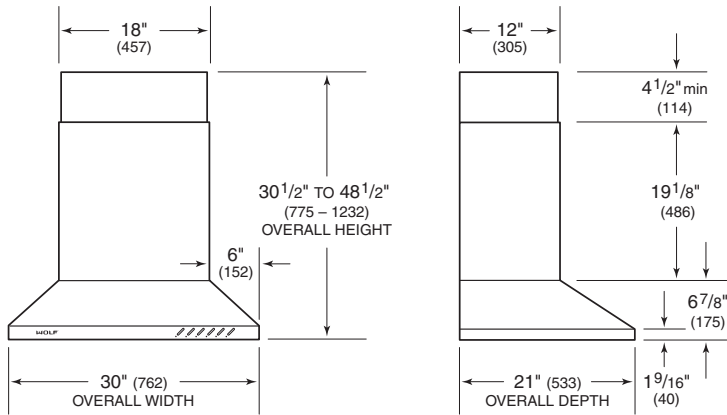
MODEL OPTIONS

Cooktop Chimney Wall Hoods

| | |
|-----------------|--------|
| 30" (762) Width | CTWH30 |
| 36" (914) Width | CTWH36 |

Cooktop Chimney Island Hood

| | |
|------------------|--------|
| 42" (1067) Width | IH4227 |
|------------------|--------|



Model CTWH30

Model CTWH30

COOKTOP CHIMNEY WALL HOOD

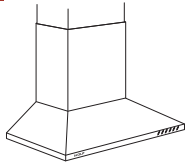
Model CTWH30

| Installation Type | Chimney Wall Hood | Features | Heavy-duty, seamless stainless steel Telescopic chimney flue extension Front-mounted controls with LED indicator Three-speed blower control Filter clean timer Delay-Off feature Heat Sentry feature Dishwasher-safe, aluminum mesh filters Sealed halogen lighting with three settings |
|------------------------------|--|-------------|---|
| Finish | Classic Stainless Steel | | |
| Overall Width | 30" (762) | | |
| Overall Height | 30 1/2" (775) minimum to 48 1/2" (1232) full extension | | |
| Overall Depth | 21" (533) | | |
| Blower Options | 450 CFM Internal 600 or 1100 CFM In-Line 600, 900, 1200 or 1500 CFM Remote | | |
| Installation Height | 24"-30" (610-762) bottom of hood to countertop | Accessories | Flue extension to accommodate 10' (3 m) ceilings 30" (762) x 30" (762) wall shield 8" (203) to 10" (254) round transition for remote blower |
| Duct Size | 8" (203) round | | |
| Discharge | Vertical | | |
| Electrical Supply | 110/120 V AC, 60 Hz 15 amp dedicated circuit | | |
| Halogen Bulbs | Two T4, 12 V, 20 W bulbs included | | |
| Shipping Weight (shell only) | 85 lbs (39 kg) | | |

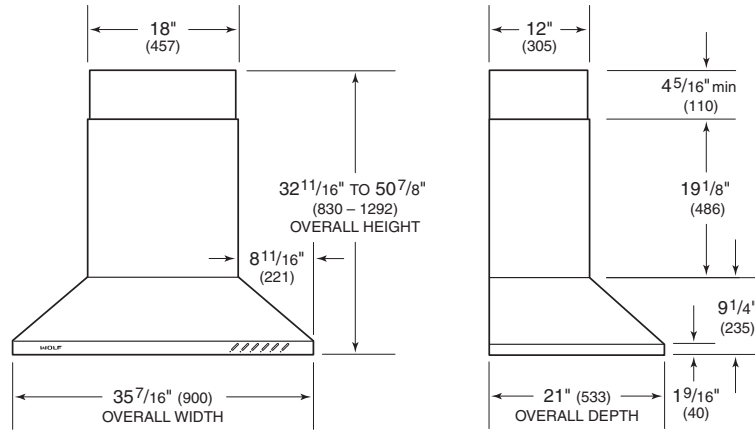
MODEL CTWH30

Wall hood comes complete with filters, halogen bulbs, transition and backdraft damper. Internal, in-line and remote blowers, as well as optional accessories, are available through your Wolf dealer.

Refer to page 22 for additional information on accessories.



Model CTWH36



Model CTWH36

MODEL CTWH36

Wall hood comes complete with filters, halogen bulbs, transition and backdraft damper. Internal, in-line and remote blowers, as well as optional accessories, are available through your Wolf dealer.

Refer to page 22 for additional information on accessories.

COOKTOP CHIMNEY WALL HOOD

Model CTWH36

| | |
|-------------------------------------|--|
| Installation Type | Chimney Wall Hood |
| Finish | Classic Stainless Steel |
| Overall Width | 35 ⁷ / ₁₆ " (900) |
| Overall Height | 32 ¹¹ / ₁₆ " (830) minimum to 50 ⁷ / ₈ " (1292) full extension |
| Overall Depth | 21" (533) |
| Blower Options | 600 or 900 CFM Internal 600 or 1100 CFM In-Line 600, 900, 1200 or 1500 CFM Remote |
| Installation Height | 24"-30" (610-762) bottom of hood to countertop |
| Duct Size | 8" (203) round |
| Discharge | Vertical |
| Electrical Supply | 110/120 V AC, 60 Hz 15 amp dedicated circuit |
| Halogen Bulbs | Three T4, 12 V, 20 W bulbs included |
| Shipping Weight (shell only) | 100 lbs (45 kg) |

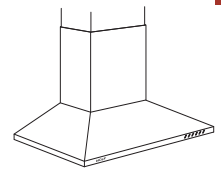
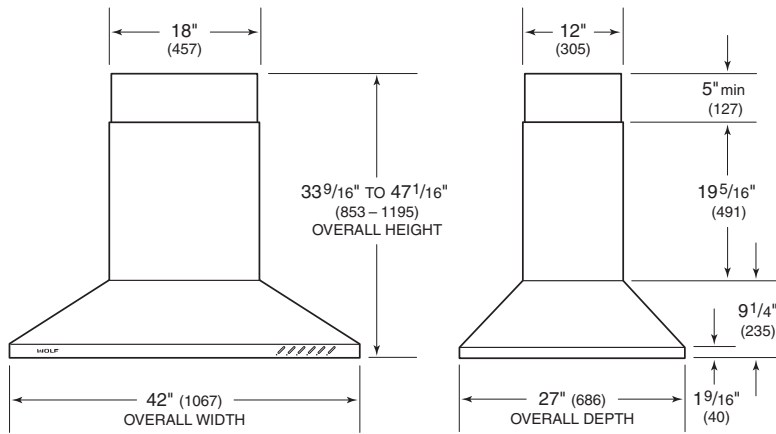
Features

- Heavy-duty, seamless stainless steel
- Telescopic chimney flue extension
- Front-mounted controls with LED indicator
- Three-speed blower control
- Filter clean timer
- Delay-Off feature
- Heat Sentry feature
- Dishwasher-safe, aluminum mesh filters
- Sealed halogen lighting with three settings

Accessories

- Flue extension to accommodate 10' (3 m) ceilings
- 36" (914) x 30" (762) wall shield
- 8" (203) to 10" (254) round transition for remote blower

Dimensions in parentheses are in millimeters unless otherwise specified.



Model IH4227

Model IH4227

COOKTOP CHIMNEY ISLAND HOOD

Model IH4227

| | | | |
|-------------------------------------|---|--------------------|---|
| Installation Type | Chimney Island Hood | Features | Heavy-duty, seamless stainless steel Telescopic chimney flue extension Front-mounted controls with LED indicator Three-speed blower control Filter clean timer Delay-Off feature Heat Sentry feature Dishwasher-safe, aluminum mesh filters Sealed halogen lighting with three settings |
| Finish | Classic Stainless Steel | Accessories | Flue extension to accommodate 10' (3 m) ceilings 8" (203) to 10" (254) round transition for remote blower |
| Overall Width | 42" (1067) | | |
| Overall Height | 33 9/16" (853) minimum to 47 1/16" (1195) full extension | | |
| Overall Depth | 27" (686) | | |
| Blower Options | 600 or 900 CFM Internal 600 or 1100 CFM In-Line 600, 900, 1200 or 1500 CFM Remote | | |
| Installation Height | 24"-30" (610-762) bottom of hood to countertop | | |
| Duct Size | 8" (203) round | | |
| Discharge | Vertical | | |
| Electrical Supply | 110/120 V AC, 60 Hz 15 amp dedicated circuit | | |
| Halogen Bulbs | Four T4, 12 V, 20 W bulbs included | | |
| Shipping Weight (shell only) | 110 lbs (50 kg) | | |

MODEL IH4227

Island hood comes complete with filters, halogen bulbs, transition and backdraft damper. Internal, in-line and remote blowers, as well as optional accessories, are available through your Wolf dealer.

Refer to page 22 for additional information on accessories.

COOKTOP CHIMNEY HOODS

Electrical Requirements

Wolf cooktop chimney wall and island hoods require a separate, grounded 120 V AC, 60 Hz power supply. The service should have its own 15 amp circuit breaker. Placement of the electrical supply is not critical as long as you provide a minimum of 12" (305) of 120 V AC power cable for the wall hood and 6' (1.8 m) for the island hood.

Locate electrical within the shaded area shown in the installation illustration for your model below and on the following page.

IMPORTANT NOTE: A ground fault circuit interrupter (GFCI) is not recommended and may cause interruption of operation.

You must follow all National Electrical Code regulations. In addition, be aware of local codes and ordinances when installing your service.

Blower Considerations

Wolf cooktop chimney wall and island hoods are shipped without the blower assembly. Internal, in-line and remote blower assemblies are available. For wall hoods, the remote blower can be mounted on the roof or an exterior wall. For island hoods, the remote blower will be mounted on the roof.

The blower will vary in size, which is dictated by the cooking surface, the volume of air that needs to be moved and the length of the duct run.

A remote-mounted blower will minimize the amount of blower noise but will not eliminate the noise completely. All remote blowers will require a transition to a 10" (254) duct.

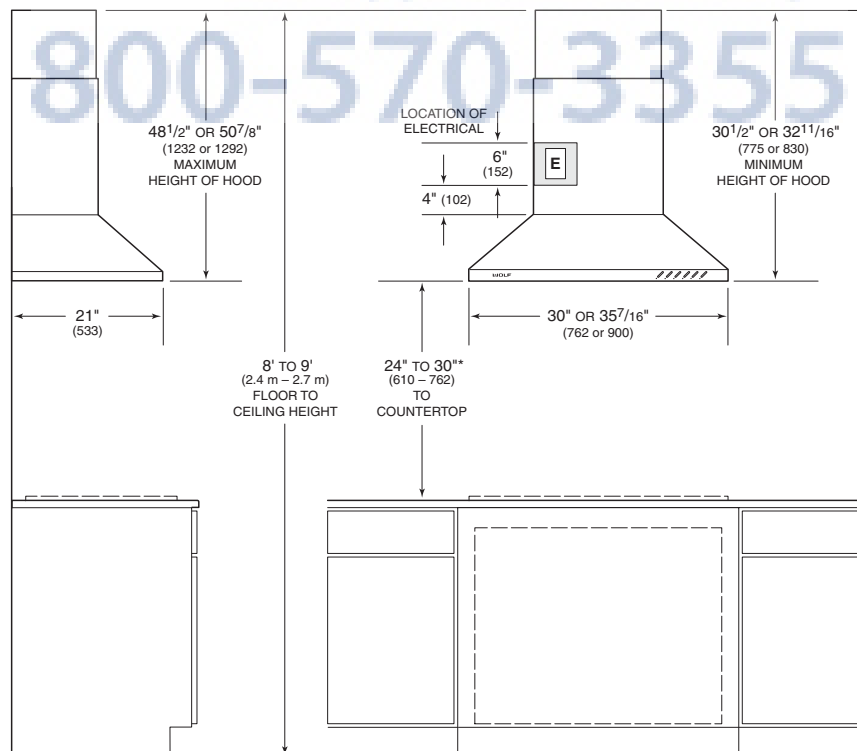
IMPORTANT NOTE: Install these ventilation hoods only with a Wolf blower.

Refer to the Cooktop Ventilation chart on page 55 for blower options.

INSTALLATION

Refer to the installation instructions shipped with each Wolf ventilation product for detailed specifications. These instructions can also be found on our website, wolfappliance.com.

COOKTOP WALL HOOD INSTALLATION



Dimensions in parentheses are in millimeters unless otherwise specified.

*8' (2.4 m) ceilings will not allow for a 30" (762) maximum height above the countertop. Based on a 36" (914) high countertop, an 8' (2.4 m) ceiling will allow for a maximum height above the countertop of 29 1/2" (749) for Model CTWH30 and 27 5/16" (694) for Model CTWH36.

COOKTOP ISLAND HOOD INSTALLATION



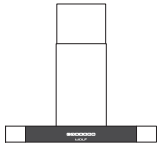
INSTALLATION

Refer to the installation instructions shipped with each Wolf ventilation product for detailed specifications. These instructions can also be found on our website, wolfappliance.com.

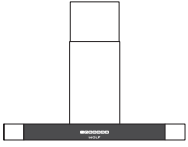
*8' (2.4 m) ceilings will not allow for a 30" (762) maximum height above the countertop. Based on a 36" (914) high countertop, an 8' (2.4 m) ceiling will allow for a maximum height above the countertop of $26\frac{7}{16}$ " (672).

AjMadison
Your Appliance Authority™
800-570-3355

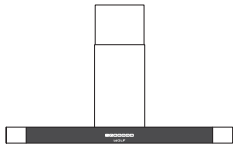
COOKTOP LOW-PROFILE HOODS



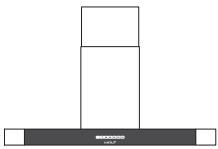
Model CTEWH30I



Model CTEWH36(I)



Model CTEWH45(I)



Model CTEIH42I

Wolf cooktop low-profile wall hoods are 17³/₄" (451) deep and come in 30" (762), 36" (914) and 45" (1143) widths. The cooktop low-profile island hood is 42" (1067) wide and 21⁵/₈" (549) deep. The hoods are classic stainless steel with a black glass front panel. Wall and island hoods are available with an internal blower or some wall hood models have in-line and remote blower options.

Wolf cooktop low-profile wall and island hoods are recommended for use with Wolf induction, electric and gas cooktops and integrated modules. For Wolf ranges and rangetops, a Pro ventilation hood is recommended.

Cooktop low-profile wall and island hoods come with a telescopic chimney flue extension which allows you to reach a ceiling height of 8' (2.4 m) to 9' (2.7 m) with a finished look.

Refer to the Cooktop Ventilation chart on page 55 for blower options for each cooktop hood.



WOLF WARRANTY

Wolf products are covered by a two and five year residential warranty (exclusions apply). See warranty details at the end of this guide.

Dimensions in parentheses are in millimeters unless otherwise specified.

Cooktop Low-Profile Hood Features

Stainless steel construction with classic finish

500 CFM internal blower included with (I) models—in-line or remote blower options for Models CTEWH36 and CTEWH45

Front-mounted controls

Four-speed blower control

Filter clean indicator lets you know when grease filter needs cleaning

Delay-off mode automatically turns unit off

Sealed halogen lighting with three settings

Stainless steel filter cover with dishwasher-safe stainless steel clad aluminum mesh grease filter(s)

Heat Sentry feature automatically turns unit on when heat is sensed and automatically adjusts blower speed

Telescopic flue fits 8' (2.4 m) to 9' (2.7 m) ceilings

Internal blower (I) models can be used in a non-ducted application using an accessory charcoal recirculating filter

Transition with backdraft damper included

UL listed to US and Canadian safety standards

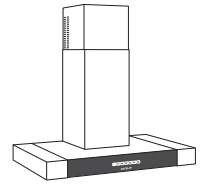
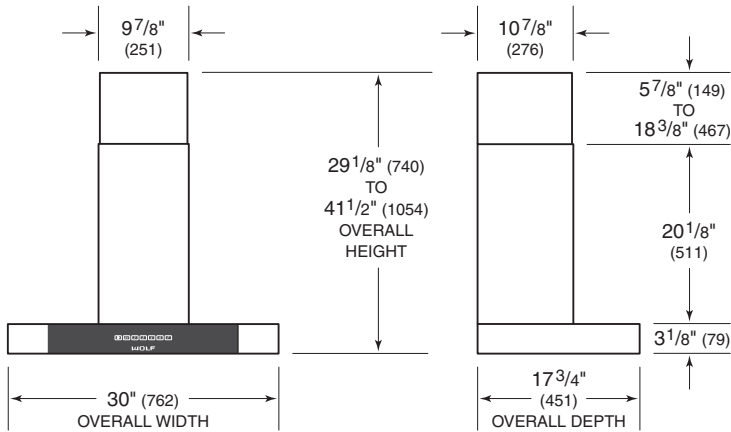
MODEL OPTIONS

Cooktop Low-Profile Wall Hoods

| | |
|------------------|----------|
| 30" (762) Width | CTEWH30I |
| 36" (914) Width | CTEWH36I |
| | CTEWH36 |
| 45" (1143) Width | CTEWH45I |
| | CTEWH45 |

Cooktop Low-Profile Island Hood

| | |
|------------------|----------|
| 42" (1067) Width | CTEIH42I |
|------------------|----------|



Model CTEWH301

Model CTEWH301

COOKTOP LOW-PROFILE WALL HOOD

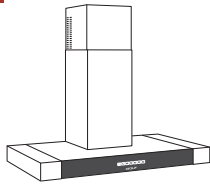
Model CTEWH301

| | | |
|----------------------------|--|---|
| Installation Type | Low-Profile Wall Hood | Features |
| Finish | Classic Stainless Steel | Heavy-duty classic stainless steel |
| Overall Width | 30" (762) | Telescopic chimney flue extension |
| Overall Height | 29 ¹ / ₈ " (740) minimum to 41 ¹ / ₂ " (1054) full extension | Front-mounted controls |
| Overall Depth | 17 ³ / ₄ " (451) | Four-speed blower control |
| Internal Blower | 500 CFM included | Filter clean timer |
| Installation Height | 24"-30" (610-762) bottom of hood to countertop | Delay-Off feature |
| Duct Size | 6" (152) round | Heat Sentry feature |
| Discharge | Vertical | Dishwasher-safe, aluminum mesh filters |
| Electrical Supply | 110/120 V AC, 60 Hz 15 amp dedicated circuit | Sealed halogen lighting with three settings |
| Halogen Bulbs | Four T4, 12 V, 20 W bulbs included | Accessories |
| Shipping Weight | 53 lbs (24 kg) | 30" (762) x 30" (762) wall shield |
| | | Recirculating kit with charcoal filter |

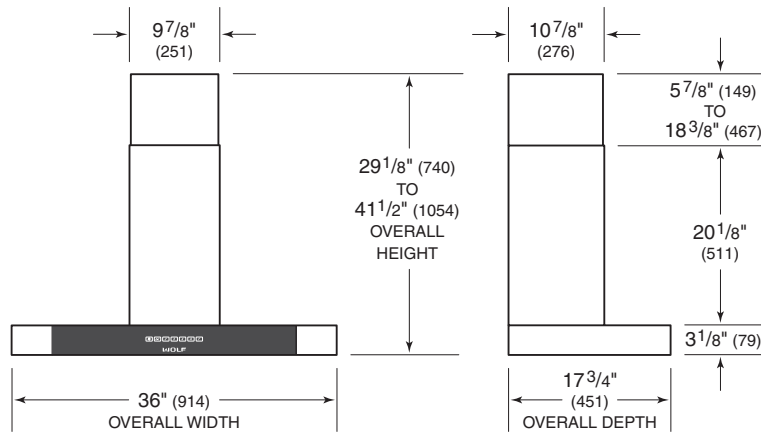
CTEWH301

Wall hood includes a 500 CFM internal blower and comes complete with filters, halogen bulbs, transition and backdraft damper.

Refer to page 22 for information on accessories available through your Wolf dealer.



Model CTEWH36(I)



Model CTEWH36(I)

CTEWH36(I)

Model CTEWH36I includes a 500 CFM internal blower. Internal, in-line and remote blowers are available for Model CTEWH36. Both wall hoods come complete with filters, halogen bulbs, transition and backdraft damper.

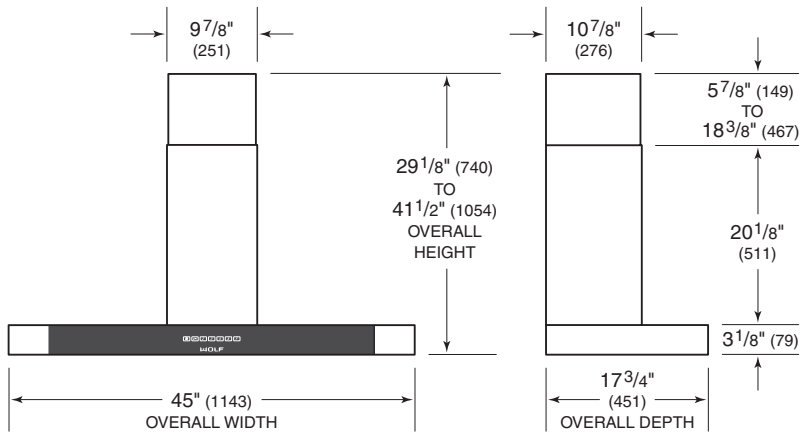
Refer to page 22 for information on accessories available through your Wolf dealer.

COOKTOP LOW-PROFILE WALL HOOD

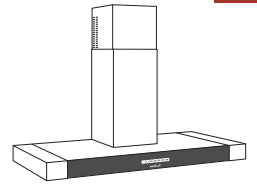
Model CTEWH36(I)

| | | | |
|-------------------------------|--|--------------------|---|
| Installation Type | Low-Profile Wall Hood | Features | Heavy-duty classic stainless steel Telescopic chimney flue extension Front-mounted controls Four-speed blower control Filter clean timer Delay-Off feature Heat Sentry feature Dishwasher-safe, aluminum mesh filters Sealed halogen lighting with three settings |
| Finish | Classic Stainless Steel | Accessories | 36" (914) x 30" (762) wall shield Recirculating kit with charcoal filter (CTEWH36I only) |
| Overall Width | 36" (914) | | |
| Overall Height | 29 1/8" (740) minimum to 41 1/2" (1054) full extension | | |
| Overall Depth | 17 3/4" (451) | | |
| CTEWH36I Blower | 500 CFM Internal | | |
| CTEWH36 Blower Options | 600 or 1100 CFM In-Line 600, 900, 1200 or 1500 CFM Remote | | |
| Installation Height | 24" - 30" (610-762) bottom of hood to countertop | | |
| Duct Size | 6" (152) round | | |
| Discharge | Vertical | | |
| Electrical Supply | 110/120 V AC, 60 Hz 15 amp dedicated circuit | | |
| Halogen Bulbs | Four T4, 12 V, 20 W bulbs included | | |
| Shipping Weight | | | |
| | CTEWH36 (shell) 51 lbs (23 kg) CTEWH36I 57 lbs (26 kg) | | |

Dimensions in parentheses are in millimeters unless otherwise specified.



Model CTEWH45(I)



Model CTEWH45(I)

COOKTOP LOW-PROFILE WALL HOOD

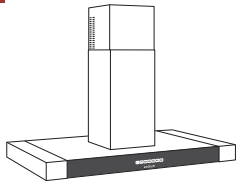
Model CTEWH45(I)

| | | |
|-------------------------------|--|--|
| Installation Type | Low-Profile Wall Hood | Features |
| Finish | Classic Stainless Steel | Heavy-duty classic stainless steel |
| Overall Width | 45" (1143) | Telescopic chimney flue extension |
| Overall Height | 29 1/8" (740) minimum to 41 1/2" (1054) full extension | Front-mounted controls |
| Overall Depth | 17 3/4" (451) | Four-speed blower control |
| CTEWH45I Blower | 500 CFM Internal | Filter clean timer |
| CTEWH45 Blower Options | 600 or 1100 CFM In-Line 600, 900, 1200 or 1500 CFM Remote | Delay-Off feature |
| Installation Height | 24"-30" (610-762) bottom of hood to countertop | Heat Sentry feature |
| Duct Size | 6" (152) round | Dishwasher-safe, aluminum mesh filters |
| Discharge | Vertical | Sealed halogen lighting with three settings |
| Electrical Supply | 110/120 V AC, 60 Hz 15 amp dedicated circuit | Accessories |
| Halogen Bulbs | Four T4, 12 V, 20 W bulbs included | Recirculating kit with charcoal filter (CTEWH45I only) |
| Shipping Weight | CTEWH45 (shell) 55 lbs (25 kg) CTEWH45I 63 lbs (29 kg) | |

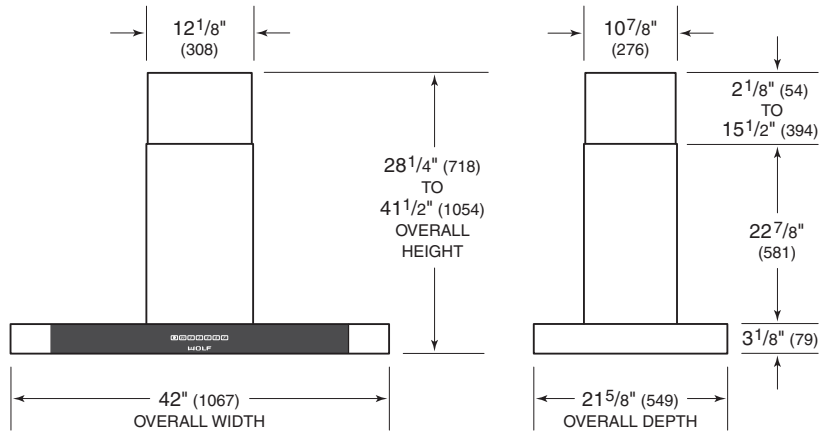
CTEWH45(I)

Model CTEWH45I includes a 500 CFM internal blower. Internal, in-line and remote blowers are available for Model CTEWH45. Both wall hoods come complete with filters, halogen bulbs, transition and backdraft damper.

Refer to page 22 for information on accessories available through your Wolf dealer.



Model CTEIH42I



Model CTEIH42I

CTEIH42I

Island hood includes a 500 CFM internal blower and comes complete with filters, halogen bulbs, transition and backdraft damper.

Refer to page 22 for additional information on accessories.

COOKTOP LOW-PROFILE ISLAND HOOD

Model CTEIH42I

| | | | |
|----------------------------|--|--------------------|---|
| Installation Type | Low-Profile Island Hood | Features | Heavy-duty classic stainless steel Telescopic chimney flue extension Front-mounted controls Four-speed blower control Filter clean timer Delay-Off feature Heat Sentry feature Dishwasher-safe, aluminum mesh filters Sealed halogen lighting with three settings |
| Finish | Classic Stainless Steel | Accessories | Recirculating kit with charcoal filter |
| Overall Width | 42" (1067) | | |
| Overall Height | 28 1/4" (718) minimum to 41 1/2" (1054) full extension | | |
| Overall Depth | 21 5/8" (549) | | |
| Internal Blower | 500 CFM included | | |
| Installation Height | 24"-30" (610-762) bottom of hood to countertop | | |
| Duct Size | 6" (152) round | | |
| Discharge | Vertical | | |
| Electrical Supply | 110/120 V AC, 60 Hz 15 amp dedicated circuit | | |
| Halogen Bulbs | Four T4, 12 V, 20 W bulbs included | | |
| Shipping Weight | 92 lbs (42 kg) | | |

COOKTOP LOW-PROFILE HOODS

Electrical Requirements

Wolf cooktop low-profile wall and island hoods require a separate, grounded 110/120 V AC, 60 Hz power supply. The service should have its own 15 amp circuit breaker.

Locate electrical within the shaded area shown in the installation illustration for your model below and on the following page.

IMPORTANT NOTE: A ground fault circuit interrupter (GFCI) is not recommended and may cause interruption of operation.

You must follow all National Electrical Code regulations. In addition, be aware of local codes and ordinances when installing your service.

Blower Considerations

Wolf low-profile wall and island cooktop hoods are available with an internal blower. Wall hood Models CTEWH36 and CTEWH45 can be used with an in-line or remote blower assembly.

IMPORTANT NOTE: Install these ventilation hoods only with a Wolf blower.

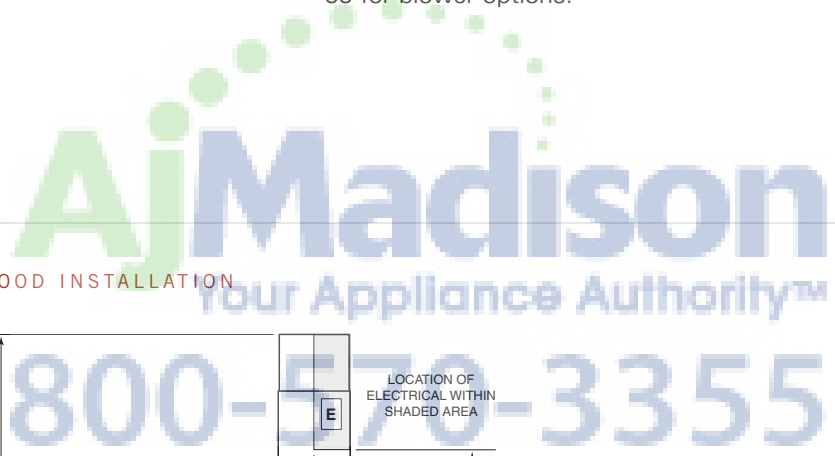
The blower will vary in size and is dictated by the cooking surface, the volume of air that needs to be moved and the length of the duct run. A straight, short duct run with a limited number of elbows and transitions will allow the ventilation hood to perform most efficiently.

A remote mounted blower will minimize the amount of blower noise, but will not eliminate the noise completely.

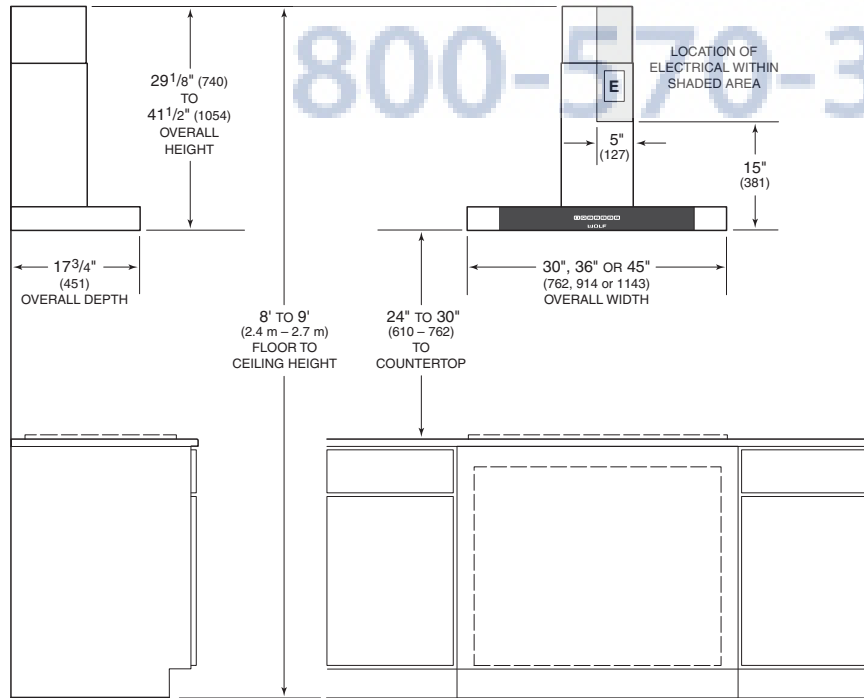
Refer to the Cooktop Ventilation chart on page 55 for blower options.

INSTALLATION

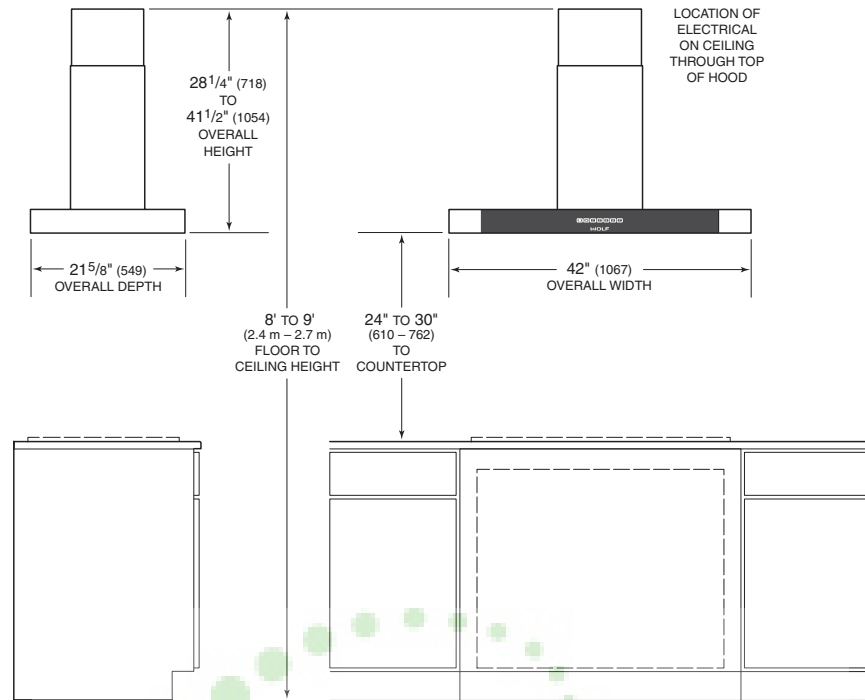
Refer to the installation instructions shipped with each Wolf ventilation product for detailed specifications. These instructions can also be found on our website, wolfappliance.com.



LOW-PROFILE WALL HOOD INSTALLATION



LOW-PROFILE ISLAND HOOD INSTALLATION



INSTALLATION

Refer to the installation instructions shipped with each Wolf ventilation product for detailed specifications. These instructions can also be found on our website, wolfappliance.com.

AjMadison
Your Appliance Authority™
800-570-3355

Dimensions in parentheses are in millimeters unless otherwise specified.

COOKTOP VENTILATION HOODS



Hood Placement

Wolf cooktop wall and island hoods come with a telescopic chimney flue extension that allows you to reach a ceiling height of 8' (2.4 m) to 9' (2.7 m) with a finished look. A flue extension to accommodate 10' (3 m) ceilings is available as a sales accessory for cooktop chimney hoods only.

Installation of the cooktop wall or island hood should be 24" (610) to 30" (762) from the bottom of the hood to the countertop.

To determine placement of the wall or island hood, you must calculate the height of the telescopic chimney flue. Refer to the chart for the minimum and maximum flue extension for your specific hood. Also refer to the illustrations.

IMPORTANT NOTE: Both sections of the telescopic chimney flue must be installed in order for the chimney to be lifted for service.

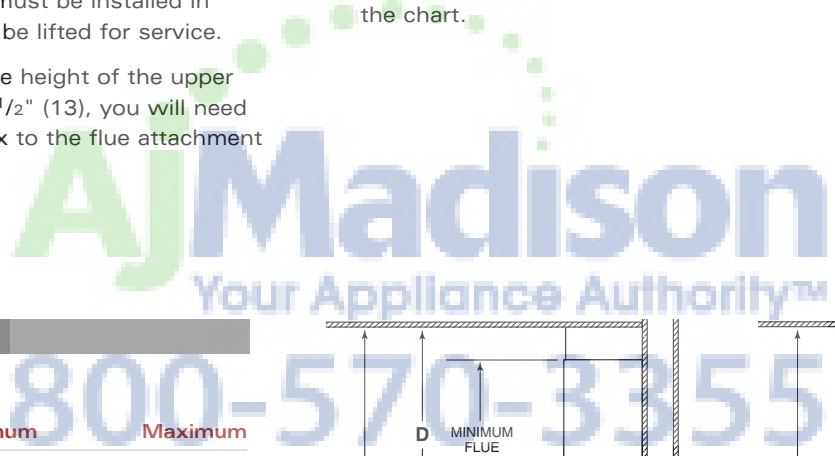
IMPORTANT NOTE: If the height of the upper flue section is less than 1/2" (13), you will need to modify the flue to affix to the flue attachment brackets.

Calculate Chimney Flue Height

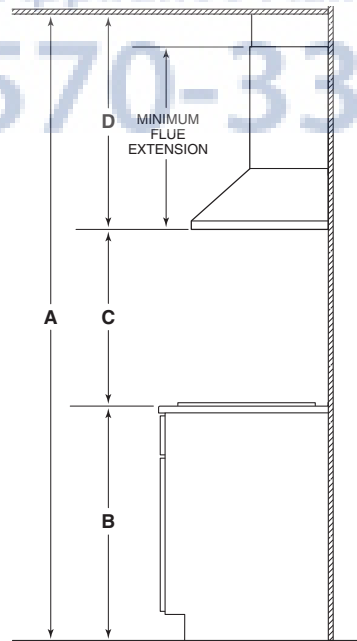
- 1) First measure the total kitchen height from finished floor to finished ceiling height (A). 8' (2.4 m) or 9' (2.7 m) ceilings are standard.
- 2) Next, measure the height from the finished floor to countertop (B). 36" (914) countertop height is standard.
- 3) Determine the desired distance from countertop to bottom of hood (C). This dimension must be between 24" (610) and 30" (762).

IMPORTANT NOTE: 8' (2.4 m) ceilings may not permit installation of the wall or island hood at 30" (762) above the countertop.

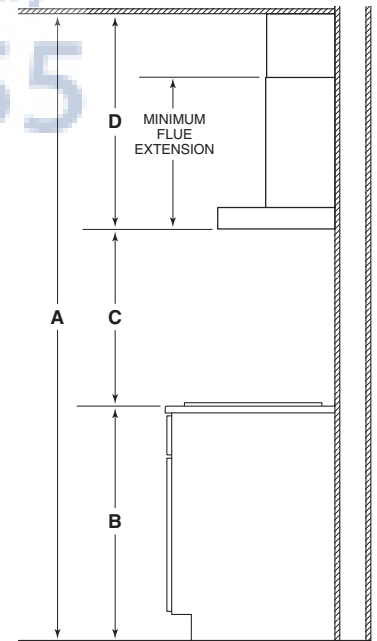
- 4) To calculate the chimney flue height (D): $D = A - (B + C)$. This dimension must be between the minimum and maximum flue extension for your specific hood as shown in the chart.



| COOKTOP HOODS | | |
|----------------|-----------------|-----------------|
| Flue Extension | | |
| Model | Minimum | Maximum |
| CTWH30 | 30 1/2" (775) | 48 1/2" (1232) |
| CTWH36 | 32 11/16" (830) | 50 7/8" (1292) |
| IH4227 | 33 9/16" (853) | 47 1/16" (1195) |
| | | |
| CTEWH30I | 29 1/8" (740) | 41 1/2" (1054) |
| CTEWH36(I) | 29 1/8" (740) | 41 1/2" (1054) |
| CTEWH45(I) | 29 1/8" (740) | 41 1/2" (1054) |
| CTEWH42I | 28 1/4" (718) | 41 1/2" (1054) |



Cooktop Chimney Hoods



Cooktop Low-Profile Hoods

COOKTOP CHIMNEY HOODS

Ducting Considerations

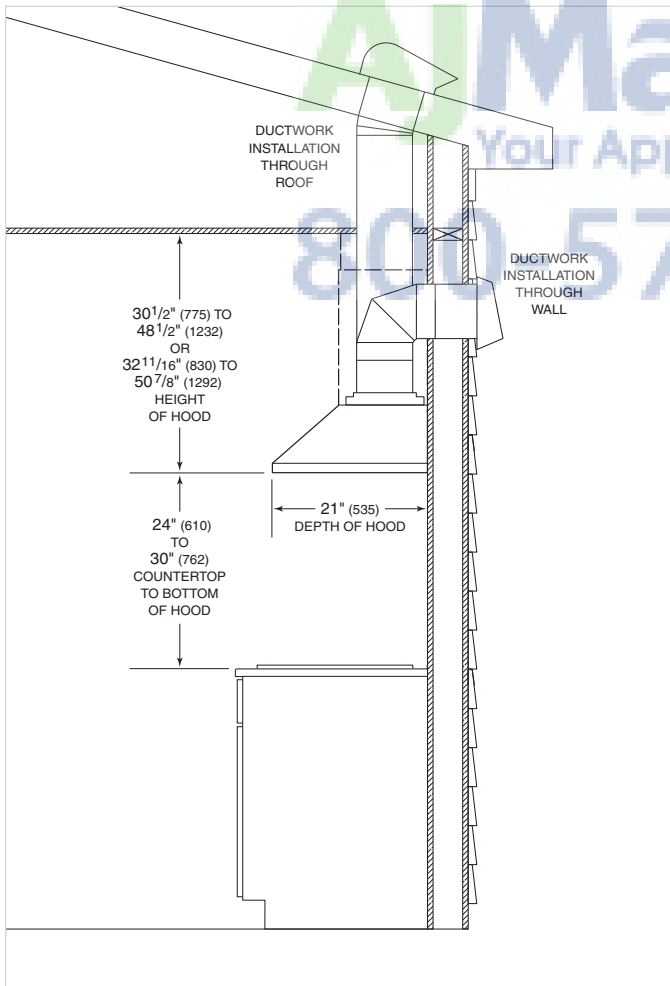
IMPORTANT NOTE: All Wolf cooktop hoods must be vented to the outside. Use only metal ductwork.

Wolf cooktop wall and island hoods have an 8" (203) round vertical discharge. Ducting can run through the roof, external wall or eave. Ducting through an eave requires an internal blower. Refer to the illustrations below for ducting considerations.

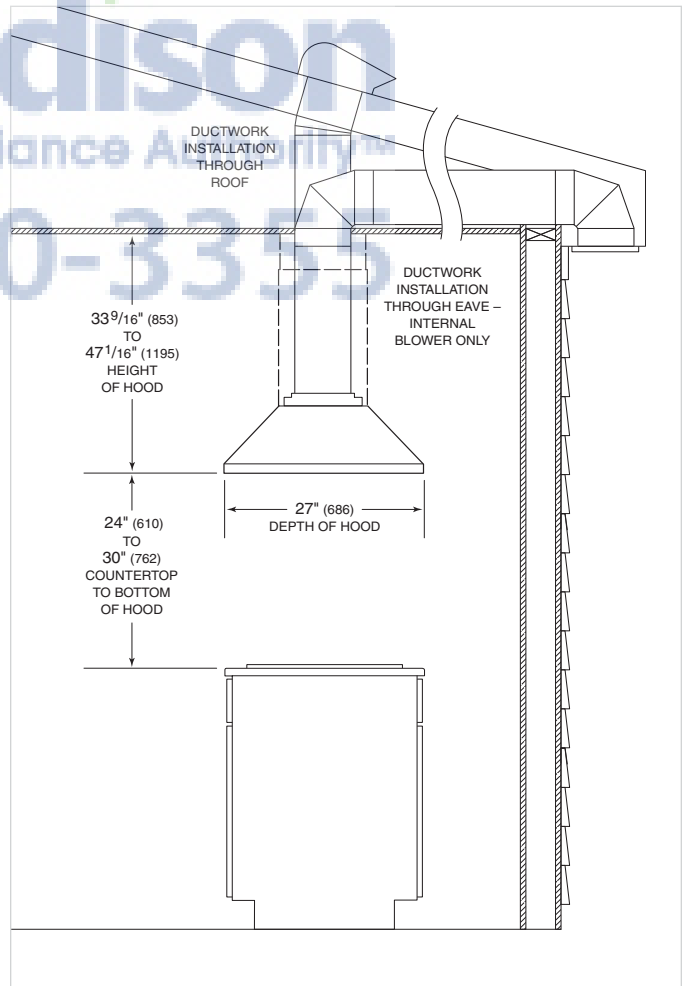
A straight, short duct run with a limited number of elbows and transitions will allow the ventilation hood to perform most efficiently. Wolf cooktop wall and island hoods will operate most efficiently when ductwork does not exceed 50' (15 m) in length. Refer to the chart on page 52 to calculate total duct length.

Refer to the illustrations below for ducting considerations for cooktop wall and island hoods. Consult a qualified HVAC engineer for specific installation and ducting applications.

COOKTOP CHIMNEY WALL HOODS



COOKTOP CHIMNEY ISLAND HOOD



COOKTOP LOW-PROFILE HOODS

Ducting Considerations

IMPORTANT NOTE: Except in recirculating installations, cooktop low-profile hoods must be vented to the outside. Use only metal ductwork.

Wolf cooktop low-profile hoods have a 6" (152) round vertical discharge. Ducting can run through the roof, external wall or eave. Ducting through an eave requires an internal blower. Refer to the illustrations below.

Ventilation hoods will operate most efficiently when ductwork does not exceed 50' (15 m) in length. Refer to the chart on page 52 to calculate total duct length.

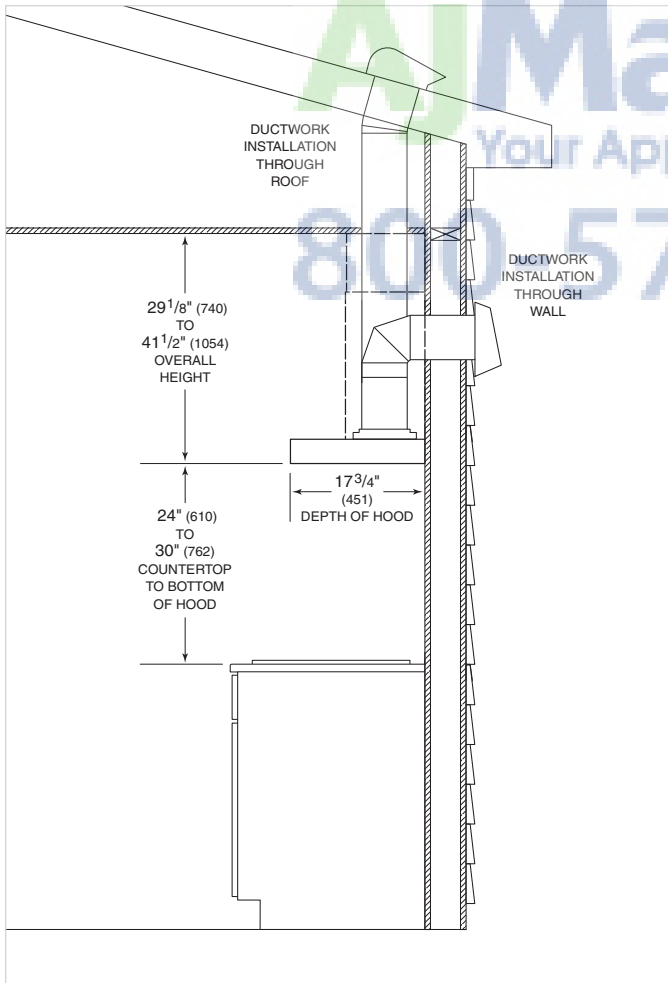
Local building codes may require the use of make-up air. Consult your local HVAC professional for specific requirements in your area.

Refer to the Cooktop Ventilation chart on page 55 for blower options.

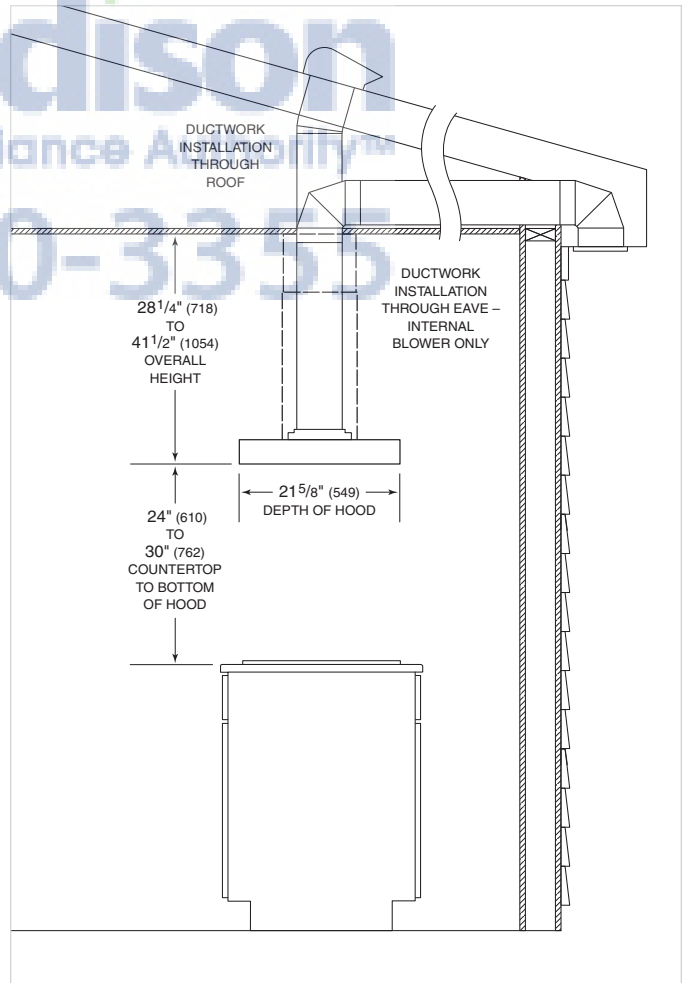
Refer to the illustrations below for ducting considerations for cooktop low-profile wall and island hoods. Consult a qualified HVAC engineer for specific installation and ducting applications.



COOKTOP LOW-PROFILE WALL HOODS



COOKTOP LOW-PROFILE ISLAND HOOD



ACCESSORIES

COOKTOP WALL AND ISLAND HOODS

Flue Extension for 10' (3 m) Ceiling Height

| Description | Number | Models |
|----------------|--------|-----------------|
| Flue Extension | 801635 | CTWH30 / CTWH36 |
| Flue Extension | 801639 | IH4227 |

ACCESSORIES

Optional accessories are available through your Wolf dealer. To obtain local dealer information, visit the Showroom Locator section of our website, wolfappliance.com.

Classic Stainless Steel Wall Shields

| Description | Number | Models |
|-----------------------------------|--------|---------------------|
| 30" (762) x 30" (762) Wall Shield | 801633 | CTWH30 / CTEWH30I |
| 36" (914) x 30" (762) Wall Shield | 801634 | CTWH36 / CTEWH36(I) |

Recirculating Kit

| Description | Number | Models |
|--|--------|---------------------------------|
| Recirculating Kit with Charcoal Filter | 812446 | CTEWH30I / CTEWH36I CTEWH45I |
| Recirculating Kit with Charcoal Filter | 812447 | CTEIH42I |

Transitions

| Description | Number | Models |
|-----------------------------|--------|--------------------------|
| 8" (203) to 10" (254) Round | 804708 | CTWH30 / CTWH36 / IH4227 |

AjMadison
Your Appliance Authority™
800-570-3355

Dimensions in parentheses are in millimeters unless otherwise specified.

DOWNDRAFT VENTILATION SYSTEMS

Wolf downdraft ventilation systems are available in 30" (762), 36" (914) and 45" (1143) widths. The downdraft should be at least as wide as the cooking surface. Classic, platinum and carbon stainless steel finishes are available on the control module and top cover for Models DD30 and DD36. Model DD45 is available in the classic stainless steel finish only.

Wolf downdraft systems are recommended for use with Wolf framed induction, electric and gas cooktops and some integrated modules.

A downdraft can be used with sealed burner rangetop Models SRT304 and SRT366. An accessory trim kit (810215) is required for this installation. Contact your dealer for details.

IMPORTANT NOTE: Wolf downdraft ventilation systems cannot be used with unframed induction and electric cooktops and steamer and fryer modules. They are not recommended for use with the electric grill module.

Downdraft Models DD30I, DD36I and DD45I include a 500 CFM internal blower. Internal, in-line and remote blowers are available for Models DD30R, DD36R and DD45R.

IMPORTANT NOTE: Install these downdrafts only with a Wolf blower.

Refer to the Cooktop Ventilation chart on page 55 for blower options for each downdraft.

Control Module

IMPORTANT NOTE: This appliance must be used with a Wolf-approved control module and top cover.

The downdraft control kit (includes control module, top cover, mounting brackets, RJ45 connector and mounting hardware) is available as a sales accessory for Models DD30 and DD36 and is included with Model DD45. Installation of the remote-mounted control module must be within 10' (3 m) of the downdraft assembly and a minimum of 3" (76) from the outer edge of cooktop cut-out.

Downdraft Features

Remote-Mounted Control Module. Control module with LED indicator lights can be mounted in any location within 10' (3 m) of the downdraft.

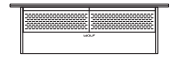
Three-Speed Blower Control. Low, medium and high blower-speed control.

Filter Clean Timer. Timer lets you know when the filter needs cleaning. The filter LED will illuminate after approximately 30 hours of operation.

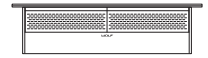
Delay-Off Feature. This feature will allow the blower to continue running at the selected speed for five minutes. The chimney will remain up.

Aluminum Mesh Filters. Stainless steel filter covers with dishwasher-safe, aluminum mesh filters.

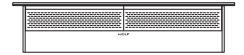
UL Listed. Listed to US and Canadian safety standards.



Model DD30



Model DD36



Model DD45



MODEL OPTIONS

Downdraft with 500 CFM Internal Blower

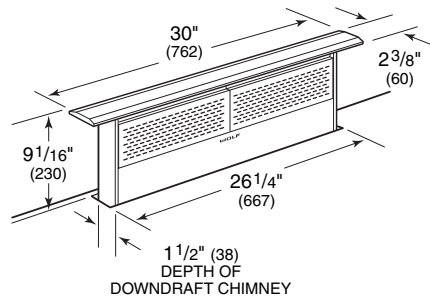
| | |
|------------------|-------|
| 30" (762) Width | DD30I |
| 36" (914) Width | DD36I |
| 45" (1143) Width | DD45I |

Downdraft Only

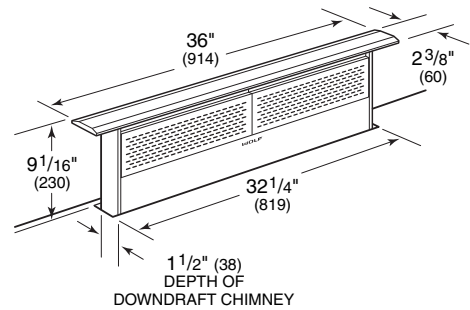
| | |
|------------------|--------|
| 30" (762) Width | DD30R* |
| 36" (914) Width | DD36R* |
| 45" (1143) Width | DD45R* |

*Requires in-line or remote blower.

Model DD30I / DD30R



Model DD36I / DD36R



30" (762) DOWNDRAFT SYSTEM

Model DD30I / DD30R

| | |
|-------------------------------|--|
| Installation Type | Downdraft |
| Trim Finishes | Classic Stainless Steel Platinum Stainless Steel Carbon Stainless Steel |
| Overall Width | 30" (762) |
| Overall Height | 9 1/16" (230) above countertop |
| Overall Depth | 2 3/8" (60) |
| Blower (DD30I) | 500 CFM Internal blower included |
| Blower Options (DD30R) | 1100 CFM In-Line 900, 1200 or 1500 CFM Remote |
| Duct Size | DD30I 3 1/4" (83) x 10" (254) DD30R 3 1/4" (83) x 14" (356) |
| Discharge | Adjustable |
| Electrical Supply | 110/120 V AC, 60 Hz 15 amp dedicated circuit |
| Power Cord | 2 1/2' (.8 m) 3-prong |
| Features | Remote-mounted control module Three-speed blower control Filter clean timer Delay-Off feature Heat Sentry feature Dishwasher-safe, aluminum mesh filters |
| Accessories | Classic, platinum or carbon stainless steel control module with trim kit Bracket support for installation with modules SRT/downdraft trim kit (810215) Transitions for in-line and remote blowers |
| Shipping Weight | 75 lbs (34 kg) |

36" (914) DOWNDRAFT SYSTEM

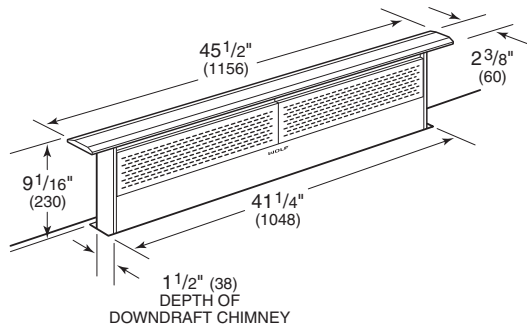
Model DD36I / DD36R

| | |
|-------------------------------|---|
| Installation Type | Downdraft |
| Trim Finishes | Classic Stainless Steel Platinum Stainless Steel Carbon Stainless Steel |
| Overall Width | 36" (914) |
| Overall Height | 9 1/16" (230) above countertop |
| Overall Depth | 2 3/8" (60) |
| Blower (DD36I) | 500 CFM Internal blower included |
| Blower Options (DD36R) | 1100 CFM In-Line 900, 1200 or 1500 CFM Remote |
| Duct Size | DD36I 3 1/4" (83) x 10" (254) DD36R 3 1/4" (83) x 14" (356) |
| Discharge | Adjustable |
| Electrical Supply | 110/120 V AC, 60 Hz 15 amp dedicated circuit |
| Power Cord | 2 1/2' (.8 m) 3-prong |
| Features | Remote-mounted control module Three-speed blower control Filter clean timer Delay-Off feature Heat Sentry feature Dishwasher-safe, aluminum mesh filters |
| Accessories | Classic, platinum or carbon stainless steel control module with trim kit SRT/downdraft trim kit (810215) Transitions for in-line and remote blowers |
| Shipping Weight | 80 lbs (36 kg) |

Dimensions in parentheses are in millimeters unless otherwise specified.



Model DD45I / DD45R



45" (1143) DOWNDRAFT SYSTEM

Model DD45I / DD45R

| | |
|-------------------------------|---|
| Installation Type | Downdraft |
| Trim Finish | Classic Stainless Steel |
| Overall Width | 45 1/2" (1156) |
| Overall Height | 9 1/16" (230) above countertop |
| Overall Depth | 2 3/8" (60) |
| Blower (DD45I) | 500 CFM Internal blower included |
| Blower Options (DD45R) | 1100 CFM In-Line 900, 1200 or 1500 CFM Remote |
| Duct Size | DD45I 3 1/4" (83) x 10" (254) DD45R 3 1/4" (83) x 14" (356) |
| Discharge | Adjustable |
| Electrical Supply | 110/120 V AC, 60 Hz 15 amp dedicated circuit |
| Power Cord | 2 1/2' (.8 m) 3-prong |
| Features | Remote-mounted control module Three-speed blower control Filter clean timer Delay-Off feature Heat Sentry feature Dishwasher-safe, aluminum mesh filters |
| Accessories | Transitions for in-line and remote blowers |
| Shipping Weight | 85 lbs (39 kg) |

DOWNDRAFT SYSTEMS

Downdrafts come complete with filters. (I) models include a 500 CFM internal blower. In-line and remote blowers are available for (R) models. Control module and trim kit are sold as accessories for DD30 and DD36. DD45 comes with a classic stainless steel control module and trim. Optional accessories are available through your Wolf dealer.

Refer to page 29 for additional information on accessories.



DOWNDRAFT VENTILATION SYSTEMS

Installation Specifications

Downdraft Model DD30 will fit most 30" (762) wide cabinets, Model DD36 will fit most 36" (914) wide cabinets and Model DD45 will fit most 45 1/2" (1156) wide cabinets. Oversized cabinets are recommended for easier installation. Cabinet backs may need to be removed.

IMPORTANT NOTE: To install a downdraft system and a Wolf cooktop, you must allow for a minimum 25 1/8" (638) flat counter space from front to back. A countertop with a raised lip and/or backsplash may not allow enough space for proper installation. 2 3/8" (60) of flat countertop is required behind the cooktop and 1 3/4" (44) is necessary between the back edge of the cooktop and inside of cabinet back.

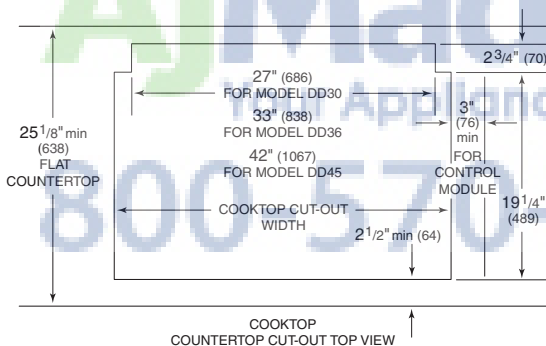
If a downdraft system is installed in combination with two integrated modules, an integrated module support for downdraft ventilation is required for Model DD30 (803386). The integrated module support is available as a sales accessory through your Wolf dealer.

A downdraft can be used with sealed burner rangetop Models SRT304 and SRT366. An accessory trim kit is necessary for this installation.

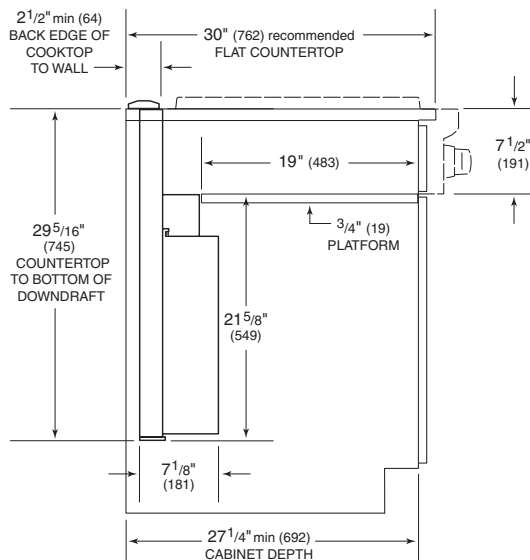
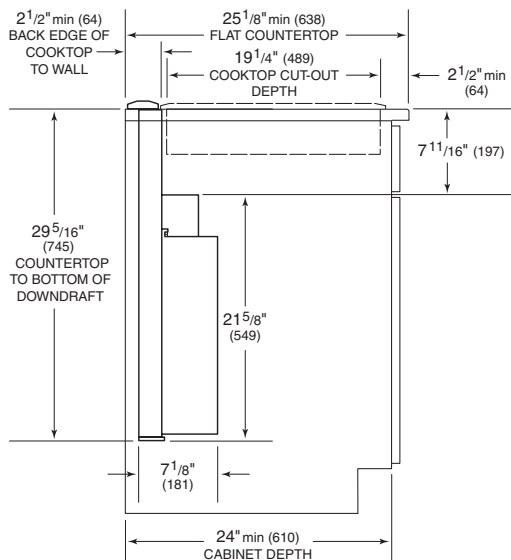
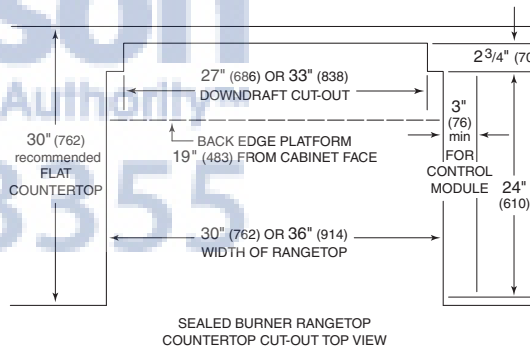
INSTALLATION

Refer to the installation instructions shipped with each Wolf ventilation product for detailed specifications. These instructions can also be found on our website, wolfappliance.com.

INSTALLATION WITH COOKTOP



INSTALLATION WITH SEALED RANGETOP



Dimensions in parentheses are in millimeters unless otherwise specified.



DOWNDRAFT VENTILATION SYSTEMS

Electrical Requirements

Wolf downdraft ventilation systems require a separate, grounded 120 V AC, 60 Hz power supply. The service should have its own 15 amp circuit breaker, and a grounded, 3-prong receptacle should be located within the reach of the 2¹/₂' (.8 m) power cord. The location of the outlet is not critical as long as it is within reach of the power cord that is located midway, top and bottom, on the right side of the downdraft.

IMPORTANT NOTE: If Model DD30 is to be installed in a 30" (762) wide cabinet, Model DD36 in a 36" (914) wide cabinet or Model DD45 in a 45¹/₂" (1156) wide cabinet, the electrical outlet cannot be located on the back wall of the cabinet. The outlet may be placed in adjacent cabinetry.

IMPORTANT NOTE: A ground fault circuit interrupter (GFCI) is not recommended and may cause interruption of operation.

You must follow all National Electrical Code regulations. In addition, be aware of local codes and ordinances when installing your service.

Blower Considerations

Except for Models DD30I, DD36I and DD45I, which include a 500 CFM internal blower, Wolf downdrafts are shipped without the blower assembly. In-line and remote blower assemblies are available.

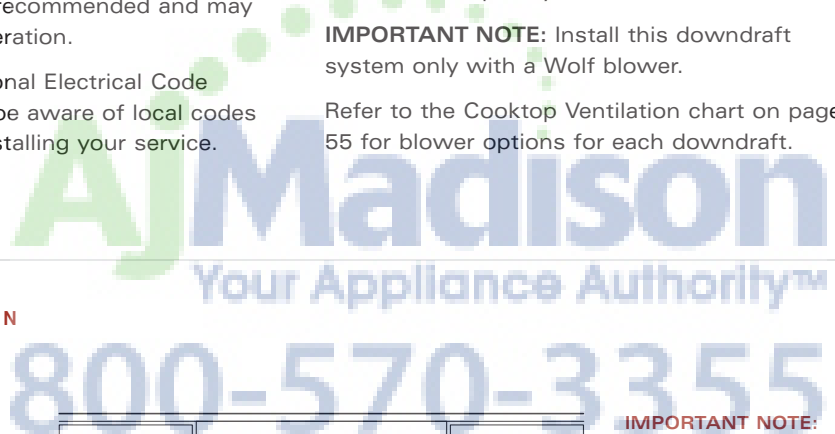
The blower will vary in size, which is dictated by the cooking surface, the volume of air that needs to be moved and the length of the duct run.

Wolf downdraft Models DD30I, DD36I and DD45I are designed for use with 3¹/₄" (83) x 10" (254) ductwork, and Models DD30R, DD36R and DD45R for 3¹/₄" (83) x 14" (356) ductwork. Each can be transitioned to 8" (203) or 10" (254) round ductwork.

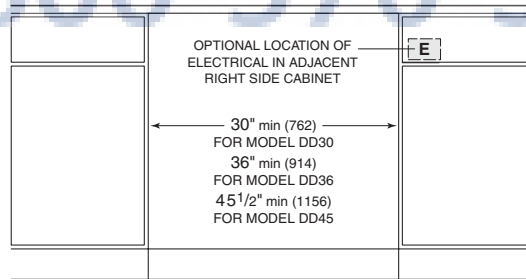
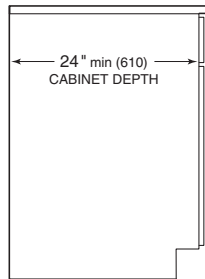
A remote-mounted blower will minimize the amount of blower noise but will not eliminate the noise completely.

IMPORTANT NOTE: Install this downdraft system only with a Wolf blower.

Refer to the Cooktop Ventilation chart on page 55 for blower options for each downdraft.



ELECTRICAL LOCATION



IMPORTANT NOTE: Certain installations may require that the electrical supply be placed in an adjacent cabinet within reach of the power cord.

DOWNDRAFT VENTILATION SYSTEMS

Ducting Considerations

Wolf downdraft systems have an adjustable discharge that will allow you to negotiate ducting around floor joists and other obstacles. Three different discharge locations are available with side-to-side adjustment for accurate alignment of ductwork. Refer to the illustration below for discharge location and adjustment.

IMPORTANT NOTE: Wolf downdraft systems must be vented to the outside. Use only metal ductwork.

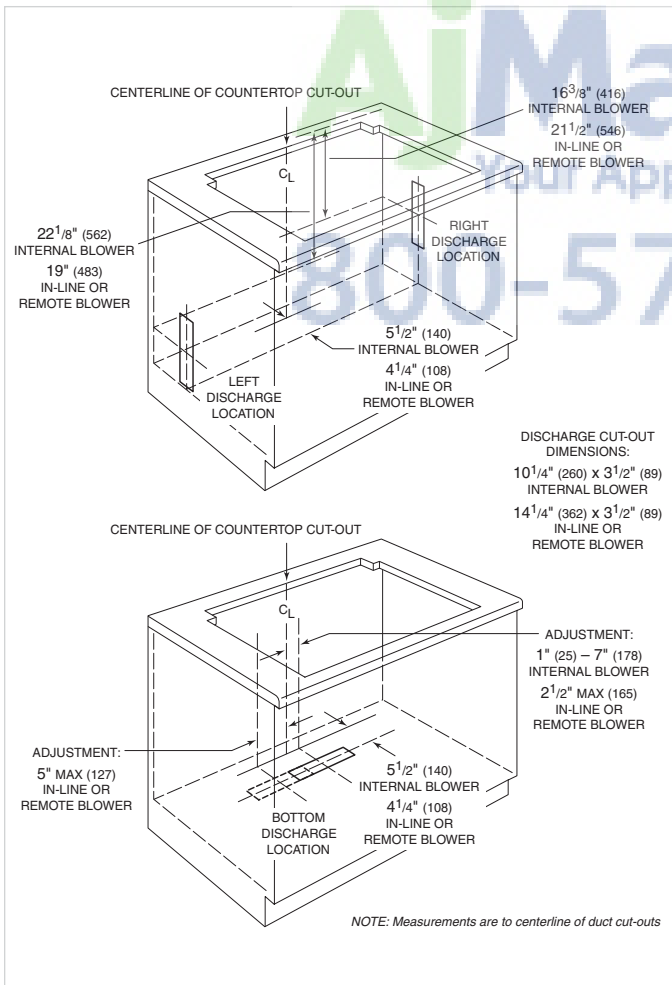
For best performance, 10" (254) round ductwork is recommended. A straight, short duct run with a limited number of elbows and transitions will allow the ventilation hood to perform most efficiently. The downdraft will operate most efficiently when ductwork does not exceed 40' (12 m) in length. Refer to the chart on page 51 to calculate total duct length.

Refer to the illustration below for ducting options for downdraft systems. Choose the ducting option that allows the shortest length of ductwork and a minimum number of elbows and transitions. Consult a qualified HVAC engineer for specific installation and ducting applications.

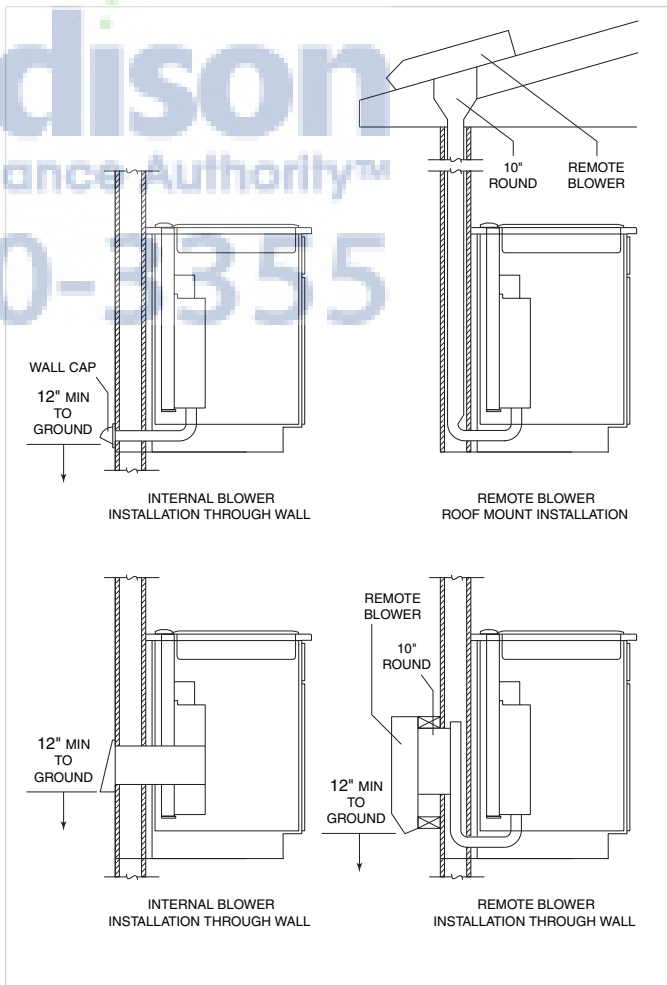
INSTALLATION

Refer to the installation instructions shipped with each Wolf ventilation product for detailed specifications. These instructions can also be found on our website, wolfappliance.com.

DISCHARGE LOCATION



DUCTING OPTIONS



ACCESSORIES



DOWNDRAFT SYSTEMS

Downdraft Control Module with Trim Kit

| Description | Number | Models |
|---------------------------|--------|---------------|
| Classic Stainless Finish | 809629 | DD30I / DD30R |
| Platinum Stainless Finish | 809625 | DD30I / DD30R |
| Carbon Stainless Finish | 809626 | DD30I / DD30R |
| Classic Stainless Finish | 809630 | DD36I / DD36R |
| Platinum Stainless Finish | 809627 | DD36I / DD36R |
| Carbon Stainless Finish | 809628 | DD36I / DD36R |

ACCESSORIES

Optional accessories are available through your Wolf dealer. To obtain local dealer information, visit the Showroom Locator section of our website, wolfappliance.com.

Downdraft Support Bracket for Installation with Two Integrated Modules*

| Description | Number | Models |
|-----------------|--------|---------------|
| Support Bracket | 803386 | DD30I / DD30R |

*Not for use with integrated modules IG15/S, IS15/S and IF15/S.

Trim Kit for Installation with Model SRT304 or SRT366

| Description | Number | Models |
|--------------------------|--------|--------------------------------|
| Classic Stainless Finish | 810215 | DD30I / DD30R DD36I / DD36R |

Transitions

| Description | Number | Models |
|---|--------|-----------------------|
| 8" (203) to 10" (254) Round | 804708 | All Downdrafts |
| 3 ¹ / ₄ " (83) x 10" (254) to 8" (203) Round | 804707 | DD30I / DD36I / DD45I |
| 3 ¹ / ₄ " (83) x 14" (356) to 8" (203) Round | 805085 | DD30R / DD36R / DD45R |
| 3 ¹ / ₄ " (83) x 10" (254) to 10" (254) Round | 804705 | DD30I / DD36I / DD45I |
| 3 ¹ / ₄ " (83) x 14" (356) to 10" (254) Round | 804706 | DD30R / DD36R / DD45R |

Dimensions in parentheses are in millimeters unless otherwise specified.

PRO VENTILATION HOODS

Pro Wall and Island Hoods

Pro low-profile wall hoods are available in 30" (762), 36" (914), 42" (1067) and 48" (1219) widths.

Pro 24" (610) deep wall hoods are available in 30" (762), 36" (914), 42" (1067), 48" (1219), 54" (1372), 60" (1524) and 66" (1676) widths.

Pro 27" (686) deep wall hoods are available in 30" (762), 36" (914), 42" (1067), 48" (1219), 54" (1372), 60" (1524) and 66" (1676) widths. The Pro 27" (686) deep wall hoods feature heat lamps.

Pro wall chimney hoods are available in 36" (914), 42" (1067), 48" (1219) and 54" (1372) widths. Optional duct covers are available to complete the chimney design.

Pro island hoods are available in 36" (914), 42" (1067), 54" (1372) and 66" (1676) widths.

Wolf Pro wall and island ventilation hoods are recommended for use with all Wolf cooking appliances. Pro ventilation hoods are heavy-duty, 16-gauge brushed stainless steel in the classic finish and have a stainless steel enclosed liner.

IMPORTANT NOTE: For optimal performance, a Pro 27" (686) deep wall hood is recommended for use with ranges and rangetops that contain a charbroiler or griddle.

Wolf Pro wall hoods should be at least as wide as the cooking surface; an overlap of 3" (76) on either side is recommended. Island hoods should always be larger than the cooking surface by a minimum of 3" (76) on each side.

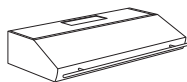
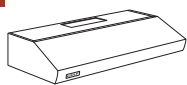
Rail option (R) wall hoods come with a classic stainless steel decorative rail and standoffs. Rail option (R) island hoods come with classic stainless steel decorative rails and standoffs on each side of the hood. Optional platinum and brass rails to match the dual fuel range bezels are available as sales accessories.

Installation of all Pro wall and island hoods should be 30" (762) to 36" (914) from the bottom of the hood to the countertop.

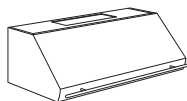
All Wolf Pro ventilation hoods are shipped without the blower assembly. Internal, in-line and remote blower assemblies are available as sales accessories.

IMPORTANT NOTE: Install these ventilation hoods only with a Wolf blower.

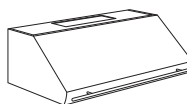
Refer to the Pro Ventilation chart on page 56 for blower options for Pro wall and island hoods.



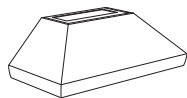
Low-Profile Wall Hoods



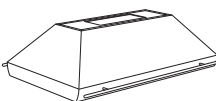
24" (610) Wall Hoods



27" (686) Wall Hoods



Wall Chimney Hoods



Island Hoods

Dimensions in parentheses are in millimeters unless otherwise specified.

PRO VENTILATION HOODS

Pro Wall and Island Hood Features

Decorative Rail. Rail option (R) wall and island hoods come with classic stainless steel decorative rail(s) and standoffs. Optional platinum or brass rail available to match dual fuel range bezels is available as a sales accessory.

Hand-Finished Craftsmanship. Pro hoods feature continually welded seams and hemmed edges and sides.

Easy-Access Controls. Recessed controls are up front for easy access.

Infinite-Speed Blower Control. Blower can be adjusted to any speed.

Heat Sentry Feature. This feature automatically turns the unit on when heat is sensed and adjusts blower speed. The Heat Sentry feature is always in wait and is activated when exhaust temperature from hood reaches 200°F (95°C). At this temperature, blower motor speed will automatically adjust to the next highest speed.

Halogen Lighting. Sealed lighting with two settings.

Heat Lamps. 27" (686) deep wall hoods feature heat lamp receptacles (bulbs not included). Two R40 250-watt-maximum bulbs are required.

Stainless Steel Filters. Removable, dishwasher-safe, restaurant-grade stainless steel baffle filters and easy-to-clean grease cups. Pro low-profile wall hoods do not have grease cups.

UL Listed. Listed to US and Canadian safety standards. UL approved for covered outdoor applications.

WOLF
WARRANTY

Wolf products are covered by a two and five year residential warranty (exclusions apply). See warranty details at the end of this guide.

MODEL OPTIONS

Pro Low-Profile Wall Hoods

| | |
|------------------|----------|
| 30" (762) Width | PW302210 |
| 36" (914) Width | PW362210 |
| 42" (1067) Width | PW422210 |
| 48" (1219) Width | PW482210 |

Pro 24" (610) Deep Wall Hoods

| | |
|------------------|----------|
| 30" (762) Width | PW302418 |
| 36" (914) Width | PW362418 |
| 42" (1067) Width | PW422418 |
| 48" (1219) Width | PW482418 |
| 54" (1372) Width | PW542418 |
| 60" (1524) Width | PW602418 |
| 66" (1676) Width | PW662418 |

Pro 27" (686) Deep Wall Hoods

| | |
|------------------|----------|
| 30" (762) Width | PW302718 |
| 36" (914) Width | PW362718 |
| 42" (1067) Width | PW422718 |
| 48" (1219) Width | PW482718 |
| 54" (1372) Width | PW542718 |
| 60" (1524) Width | PW602718 |
| 66" (1676) Width | PW662718 |

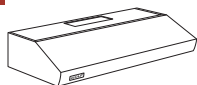
Pro Wall Chimney Hoods

| | |
|------------------|-----------|
| 36" (914) Width | PWC362418 |
| 42" (1067) Width | PWC422418 |
| 48" (1219) Width | PWC482418 |
| 54" (1372) Width | PWC542418 |

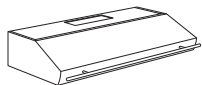
Pro Island Hoods

| | |
|------------------|----------|
| 36" (914) Width | PI363418 |
| 42" (1067) Width | PI423418 |
| 54" (1372) Width | PI543418 |
| 66" (1676) Width | PI663418 |

Models without decorative rail listed; for hoods with rail add (R) to the model number.

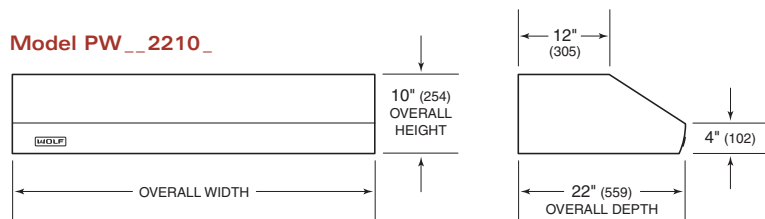


Low-Profile Wall Hood

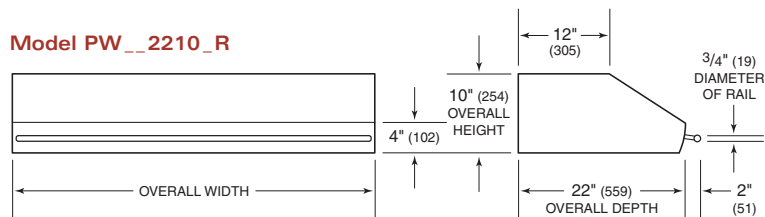


Low-Profile Wall Hood Rail Option (R)

Model PW__2210_



Model PW__2210_R



LOW-PROFILE WALL HOODS

Wall hoods come complete with baffle filters and halogen bulbs. Internal, in-line and remote blowers, as well as optional accessories, are available through your Wolf dealer.

Refer to page 47 for additional information on accessories.

PRO LOW-PROFILE WALL HOODS

Model PW__2210(R)

| | |
|--------------------------------|--|
| Installation Type | Wall |
| Finish | Classic Stainless Steel |
| Overall Width | |
| PW302210(R) | 30" (762) |
| PW362210(R) | 36" (914) |
| PW422210(R) | 42" (1067) |
| PW482210(R) | 48" (1219) |
| Overall Height | 10" (254) |
| Overall Depth | 22" (559) 24" (610) including rail |
| Internal Blower Options | |
| PW302210(R) | 500 CFM |
| PW362210(R) | 500 CFM |
| In-Line Blower Options | |
| All Models | 600 CFM |
| Remote Blower Options | |
| All Models | 600 or 900 CFM |
| Rail Option (R) | Classic stainless steel rail with standoffs included |
| Installation Height | 30"-36" (762-914) bottom of hood to countertop |
| Duct Size | 8" (203) Round |
| Discharge | Vertical or Horizontal |
| Electrical Supply | 110/120 V AC, 60 Hz 15 amp dedicated circuit |
| Halogen Bulbs | Two or three 50 W, 120 V par 20 bulbs included |

Features

- Heavy-duty, 16-gauge brushed stainless steel
- Stainless steel enclosed liner
- Welded seams with hemmed edges and sides
- Recessed, easy-access controls
- Infinite-speed blower control
- Heat Sentry feature
- Dishwasher-safe, stainless steel baffle filters
- Halogen lighting with two settings

Accessories

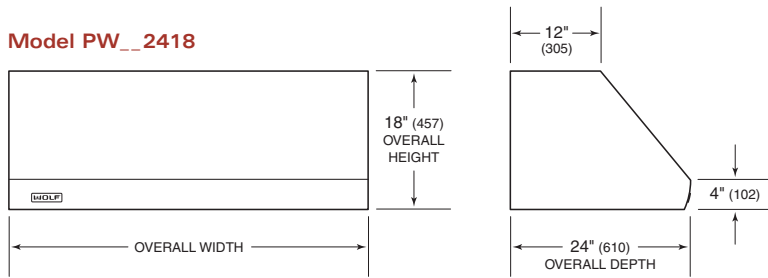
- Platinum or brass decorative rail with standoffs
- 38" (965) high classic stainless steel backsplash with or without warming racks
- 6" (152), 12" (305), 18" (457) and 24" (610) duct covers
- Recirculating kit for PW302210 and PW362210 with internal blower

Shipping Weight (shell only)

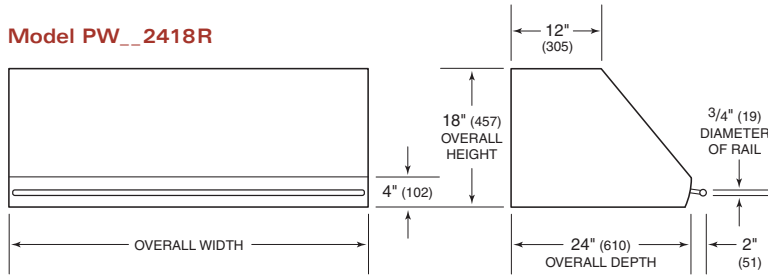
| | |
|-------------|----------------|
| PW302210(R) | 39 lbs (18 kg) |
| PW362210(R) | 44 lbs (20 kg) |
| PW422210(R) | 50 lbs (23 kg) |
| PW482210(R) | 55 lbs (25 kg) |

Dimensions in parentheses are in millimeters unless otherwise specified.

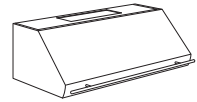
Model PW__2418



Model PW__2418R



24" (610) Wall Hood



24" (610) Wall Hood Rail Option (R)

PRO 24" (610) DEEP WALL HOODS

Model PW__2418(R)

| | | | |
|--------------------------------|--|-------------------------------------|---|
| Installation Type | Wall | Duct Size | 10" (254) Round |
| Finish | Classic Stainless Steel | Discharge | Vertical or Horizontal* |
| Overall Width | | Electrical Supply | 110/120 V AC, 60 Hz 15 amp dedicated circuit |
| PW302418(R) | 30" (762) | Halogen Bulbs | Two or three 50 W, 120 V par 20 bulbs included |
| PW362418(R) | 36" (914) | Features | Heavy-duty, 16-gauge brushed stainless steel Stainless steel enclosed liner Welded seams with hemmed edges and sides Recessed, easy-access controls Infinite-speed blower control Heat Sentry feature Dishwasher-safe, stainless steel baffle filters Halogen lighting with two settings |
| PW422418(R) | 42" (1067) | Accessories | Platinum or brass decorative rail with standoffs 38" (965) high classic stainless steel backsplash with or without warming racks 6" (152), 12" (305), 18" (457) and 24" (610) duct covers Recirculating kit for PW302418 and PW362418 with 600 CFM internal blower |
| PW482418(R) | 48" (1219) | Shipping Weight (shell only) | |
| PW542418(R) | 54" (1372) | PW302418(R) | 67 lbs (30 kg) |
| PW602418(R) | 60" (1524) | PW362418(R) | 78 lbs (35 kg) |
| PW662418(R) | 66" (1676) | PW422418(R) | 86 lbs (39 kg) |
| | | PW482418(R) | 94 lbs (43 kg) |
| Overall Height | 18" (457) | PW542418(R) | 106 lbs (48 kg) |
| Overall Depth | 24" (610) 26" (660) including rail | PW602418(R) | 116 lbs (53 kg) |
| Internal Blower Options | | PW662418(R) | 126 lbs (57 kg) |
| PW302418(R) | 600 or 900 CFM | | |
| PW362418(R) | 600 or 900 CFM | | |
| PW422418(R) | 600 or 900 CFM | | |
| All Other Models | 1200 CFM | | |
| In-Line Blower Options | | | |
| PW302418(R) | 600 or 1100 CFM | | |
| All Other Models | 1100 CFM | | |
| Remote Blower Options | | | |
| PW302418(R) | 600, 900, 1200, 1500 CFM | | |
| PW362418(R) | 900, 1200 or 1500 CFM | | |
| PW422418(R) | 900, 1200 or 1500 CFM | | |
| PW482418(R) | 900, 1200 or 1500 CFM | | |
| PW542418(R) | 900, 1200 or 1500 CFM | | |
| PW602418(R) | 1200 or 1500 CFM | | |
| PW662418(R) | 1200 or 1500 CFM | | |
| Rail Option (R) | Classic stainless steel rail with standoffs included | | |
| Installation Height | 30"-36" (762-914) bottom of hood to countertop | | |
| Transition | Transition with backdraft damper included | | |

PRO 24" (610) WALL HOODS

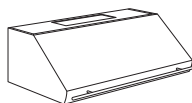
Wall hoods come complete with baffle filters, grease cups, halogen bulbs, transition and backdraft damper. Internal, in-line and remote blowers, as well as optional accessories, are available through your Wolf dealer.

Refer to page 47 for additional information on accessories.

*Requires accessory kit.

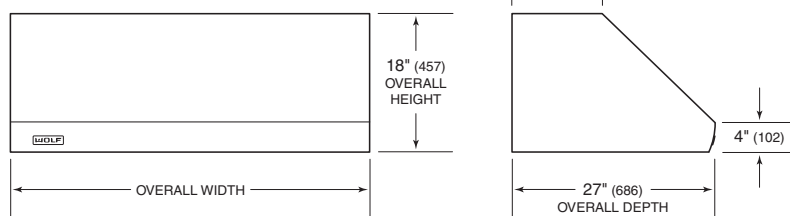


27" (686) Wall Hood

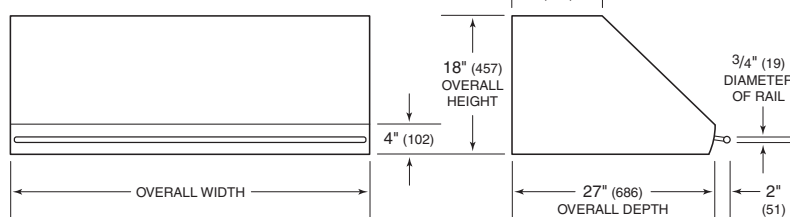


27" (686) Wall Hood Rail Option (R)

Model PW__2718



Model PW__2718R



PRO 27" (686) WALL HOODS

Wall hoods come complete with baffle filters, grease cups, halogen bulbs, transition and backdraft damper. Internal, in-line and remote blowers, as well as optional accessories, are available through your Wolf dealer.

Refer to page 47 for additional information on accessories.

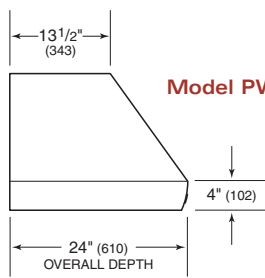
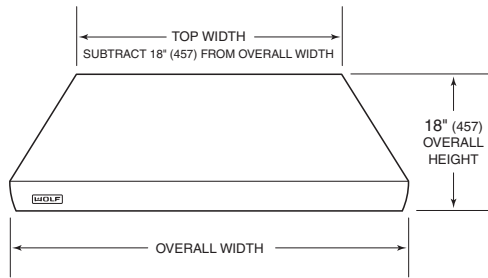
*Requires accessory kit.

PRO 27" (686) DEEP WALL HOODS

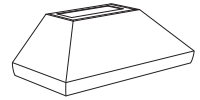
Model PW__2718(R)

| | | | |
|--------------------------------|---|-------------------------------------|--|
| Installation Type | Wall | Duct Size | 10" (254) Round |
| Finish | Classic Stainless Steel | Discharge | Vertical or Horizontal* |
| Overall Width | | Electrical Supply | 110/120 V AC, 60 Hz 15 amp dedicated circuit |
| PW302718(R) | 30" (762) | Halogen Bulbs | Two or three 50 W, 120 V par 20 bulbs included |
| PW362718(R) | 36" (914) | Heat Lamp Bulbs | Two R40 250 W, 120 V 60 Hz infrared bulbs (not included) |
| PW422718(R) | 42" (1067) | Features | Heavy-duty, 16-gauge brushed stainless steel Stainless steel enclosed liner Welded seams with hemmed edges and sides Recessed, easy-access controls Infinite-speed blower control Heat Sentry feature Dishwasher-safe, stainless steel baffle filters Halogen lighting with two settings Heat lamps (bulbs not included) |
| PW482718(R) | 48" (1219) | Accessories | Platinum or brass decorative rail with standoffs 38" (965) high classic stainless steel backsplash with or without warming racks 6" (152), 12" (305), 18" (457) and 24" (610) duct covers Recirculating kit for PW302718 and PW362718 with 600 CFM internal blower |
| PW542718(R) | 54" (1372) | Shipping Weight (shell only) | |
| PW602718(R) | 60" (1524) | PW302718(R) | 69 lbs (31 kg) |
| PW662718(R) | 66" (1676) | PW362718(R) | 80 lbs (36 kg) |
| Overall Height | 18" (457) | PW422718(R) | 88 lbs (40 kg) |
| Overall Depth | 27" (686) 29" (737) including rail | PW482718(R) | 96 lbs (44 kg) |
| Internal Blower Options | | PW542718(R) | 108 lbs (49 kg) |
| PW302718(R) | 600 or 900 CFM | PW602718(R) | 118 lbs (54 kg) |
| PW362718(R) | 600 or 900 CFM | PW662718(R) | 128 lbs (58 kg) |
| PW422718(R) | 600 or 900 CFM | | |
| PW482718(R) | 900, 1200 or 1500 CFM | | |
| PW542718(R) | 900, 1200 or 1500 CFM | | |
| PW602718(R) | 1200 or 1500 CFM | | |
| PW662718(R) | 1200 or 1500 CFM | | |
| In-Line Blower Options | | | |
| PW302718(R) | 600 or 1100 CFM | | |
| All Other Models | 1100 CFM | | |
| Remote Blower Options | | | |
| PW302718(R) | 600, 900, 1200, 1500 CFM | | |
| PW362718(R) | 900, 1200 or 1500 CFM | | |
| PW422718(R) | 900, 1200 or 1500 CFM | | |
| PW482718(R) | 900, 1200 or 1500 CFM | | |
| PW542718(R) | 900, 1200 or 1500 CFM | | |
| PW602718(R) | 1200 or 1500 CFM | | |
| PW662718(R) | 1200 or 1500 CFM | | |
| Rail Option (R) | Classic stainless steel rail with standoffs included | | |
| Installation Height | 30"-36" (762-914) bottom of hood to countertop | | |
| Transition | Transition with backdraft damper included | | |

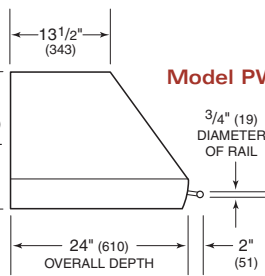
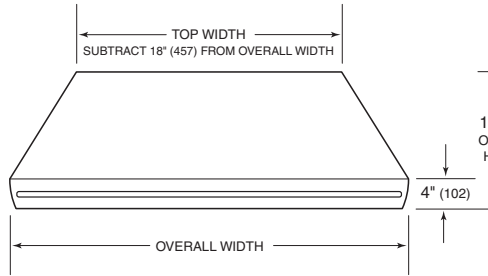
Dimensions in parentheses are in millimeters unless otherwise specified.



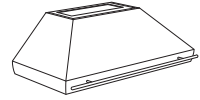
Model PWC__2418



Wall Chimney Hood



Model PWC__2418R



Wall Chimney Hood Rail Option (R)

PRO WALL CHIMNEY HOODS

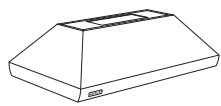
Model PWC__2418(R)

| | | | |
|--------------------------------|---|-------------------------------------|---|
| Installation Type | Wall | Electrical Supply | 110/120 V AC, 60 Hz 15 amp dedicated circuit |
| Finish | Classic Stainless Steel | Halogen Bulbs | Two or three 50 W, 120 V par 20 bulbs included |
| Overall Width | | Features | Heavy-duty, 16-gauge brushed stainless steel Stainless steel enclosed liner Welded seams with hemmed edges and sides Recessed, easy-access controls Infinite-speed blower control Heat Sentry feature Dishwasher-safe, stainless steel baffle filters Halogen lighting with two settings |
| PWC362418(R) | 36" (914) | Accessories | Platinum or brass decorative rail with standoffs 38" (965) high classic stainless steel backsplash with or without warming racks 6" (152), 12" (305), 18" (457) and 24" (610) duct covers |
| PWC422418(R) | 42" (1067) | Shipping Weight (shell only) | PWC362418(R) 78 lbs (35 kg) PWC422418(R) 00 lbs (00 kg) PWC482418(R) 00 lbs (00 kg) PWC542418(R) 106 lbs (48 kg) |
| PWC482418(R) | 48" (1219) | | |
| PWC542418(R) | 54" (1372) | | |
| Overall Height | 18" (457) | | |
| Overall Depth | 24" (610) 28" (711) including rails | | |
| Internal Blower Options | | | |
| PWC362418(R) | 600 or 900 CFM | | |
| PWC422418(R) | 600 or 900 CFM | | |
| PWC482418(R) | 1200 CFM | | |
| PWC542418(R) | 1200 CFM | | |
| In-Line Blower Options | | | |
| All Models | 1100 CFM | | |
| Remote Blower Options | | | |
| All Models | 900, 1200 or 1500 CFM | | |
| Rail Option (R) | Classic stainless steel rail with standoffs included | | |
| Installation Height | 30"-36" (762-914) bottom of hood to countertop | | |
| Transition | Transition with backdraft damper included | | |
| Duct Size | 10" (254) Round | | |
| Discharge | Vertical | | |

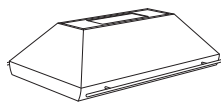
PRO WALL CHIMNEY HOODS

Wall chimney hoods come complete with baffle filters, grease cups, halogen bulbs, transition and backdraft damper. Internal, in-line and remote blowers, as well as optional accessories, are available through your Wolf dealer.

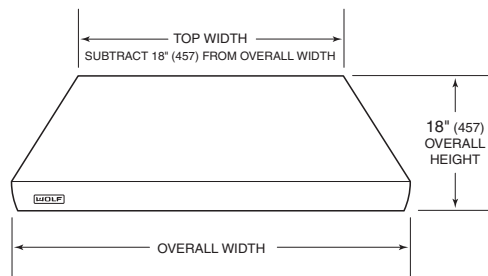
Refer to page 47 for additional information on accessories.



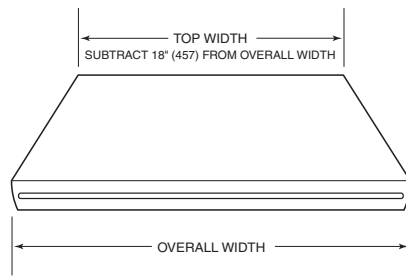
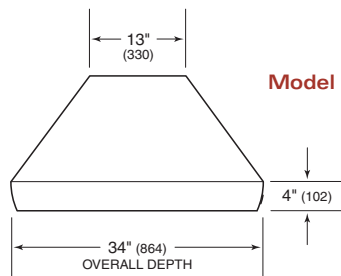
Island Hood



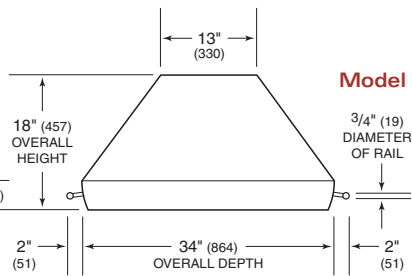
Island Hood Rail Option (R)



Model PI_3418



Model PI_3418R



PRO ISLAND HOODS

Island hoods come complete with baffle filters, grease cups, halogen bulbs, transition and backdraft damper. Internal, in-line and remote blowers, as well as optional accessories, are available through your Wolf dealer.

Refer to page 47 for additional information on accessories.

PRO ISLAND HOODS

Model PI_3418(R)

| | |
|--------------------------------|---|
| Installation Type | Island |
| Finish | Classic Stainless Steel |
| Overall Width | PI363418(R) 36" (914) PI423418(R) 42" (1067) PI543418(R) 54" (1372) PI663418(R) 66" (1676) |
| Overall Height | 18" (457) |
| Overall Depth | 34" (864) 38" (965) including rails |
| Internal Blower Options | All Models 1200 CFM |
| In-Line Blower Options | All Models 1100 CFM |
| Remote Blower Options | PI363418(R) 900, 1200 or 1500 CFM PI423418(R) 900, 1200 or 1500 CFM PI543418(R) 900, 1200 or 1500 CFM PI663418(R) 1200 or 1500 CFM |
| Rail Option (R) | Classic stainless steel rails with standoffs included |
| Installation Height | 30"-36" (762-914) bottom of hood to countertop |
| Transition | Transition with backdraft damper included |
| Duct Size | 10" (254) Round |
| Discharge | Vertical |

| | |
|-------------------------------------|---|
| Electrical Supply | 110/120 V AC, 60 Hz 15 amp dedicated circuit |
| Halogen Bulbs | Two or three 50 W, 120 V par 20 bulbs included |
| Features | Heavy-duty, 16-gauge brushed stainless steel Stainless steel enclosed liner Welded seams with hemmed edges and sides Recessed, easy-access controls Infinite-speed blower control Heat Sentry feature Dishwasher-safe, stainless steel baffle filters Halogen lighting with two settings |
| Accessories | Platinum or brass decorative rails with standoffs 6" (152), 12" (305), 18" (457) and 24" (610) duct covers |
| Shipping Weight (shell only) | PI363418(R) 95 lbs (43 kg) PI423418(R) 103 lbs (47 kg) PI543418(R) 128 lbs (58 kg) PI663418(R) 168 lbs (76 kg) |

Dimensions in parentheses are in millimeters unless otherwise specified.

PRO VENTILATION HOODS

Electrical Requirements

Wolf Pro wall and island hoods require a separate, grounded 120 V AC, 60 Hz power supply. The service should have its own 15 amp circuit breaker. Placement of the electrical supply is not critical as long as you provide a minimum of 2' (.6 m) of 120 V AC power cable for wall hoods and 6' (1.8 m) for island hoods. Refer to the following pages for blower and ducting considerations to determine discharge location.

Locate electrical within the shaded area shown in the installation illustration for your specific model below.

IMPORTANT NOTE: A ground fault circuit interrupter (GFCI) is not recommended and may cause interruption of operation.

You must follow all National Electrical Code regulations. In addition, be aware of local codes and ordinances when installing your service.

Blower Considerations

All Pro wall and island hoods are shipped without the blower assembly. Internal, in-line and remote blower assemblies are available. For wall hoods, the remote blower can be mounted on the roof or an exterior wall. For island hoods, the remote blower will be mounted on the roof.

The blower will vary in size, which is dictated by the cooking surface, the volume of air that needs to be moved and the length of the duct run.

A remote-mounted blower will minimize the amount of blower noise but will not eliminate the noise completely.

IMPORTANT NOTE: Install these ventilation hoods only with a Wolf blower.

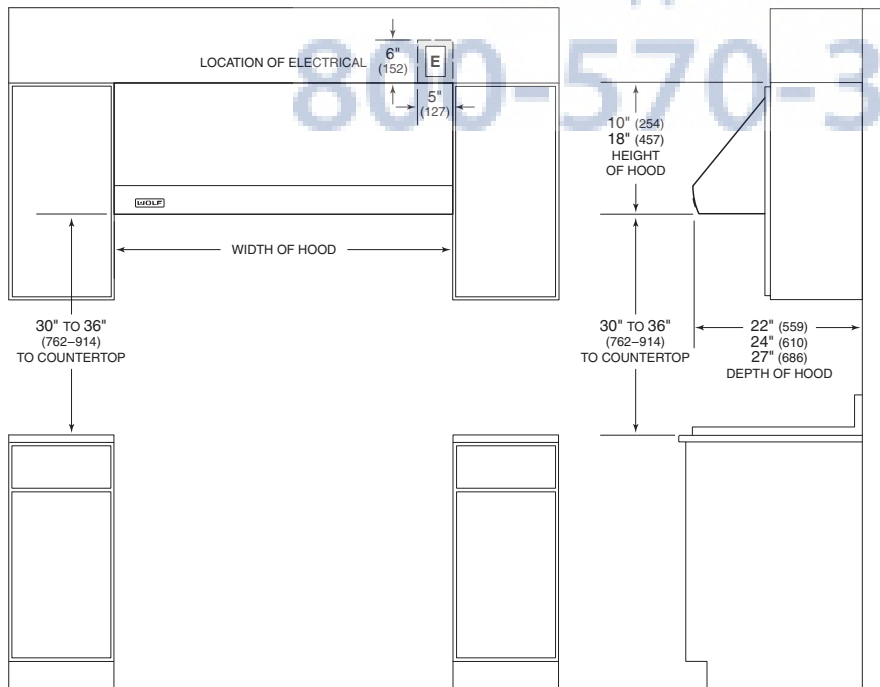
Refer to the Pro Ventilation chart on page 56 for blower options for Pro wall, wall chimney and island hoods.

INSTALLATION

Refer to the installation instructions shipped with each Wolf ventilation product for detailed specifications. These instructions can also be found on our website, wolfappliance.com.



PRO WALL HOOD INSTALLATION



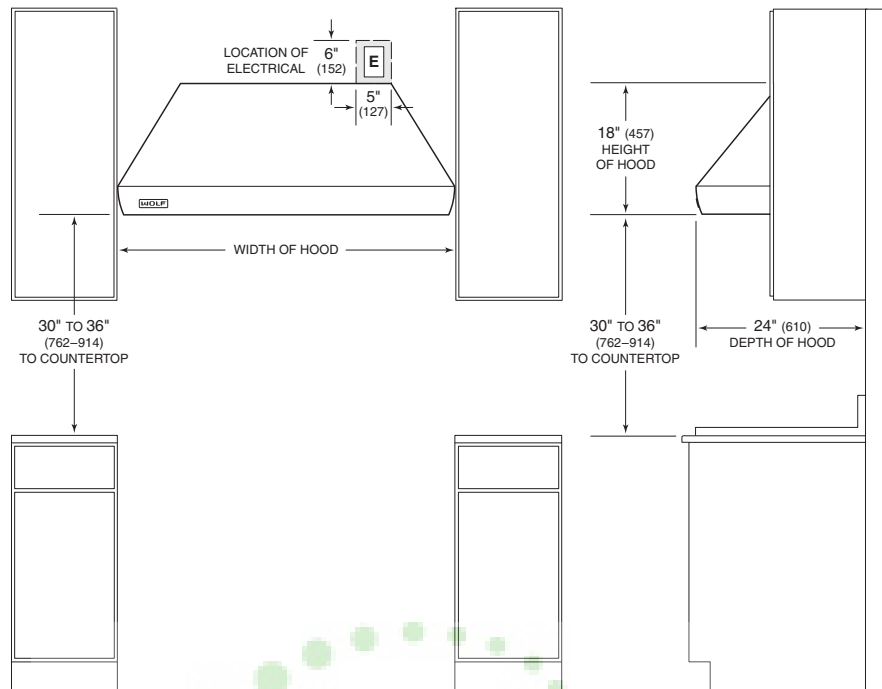
Dimensions in parentheses are in millimeters unless otherwise specified.



PRO WALL CHIMNEY HOOD INSTALLATION

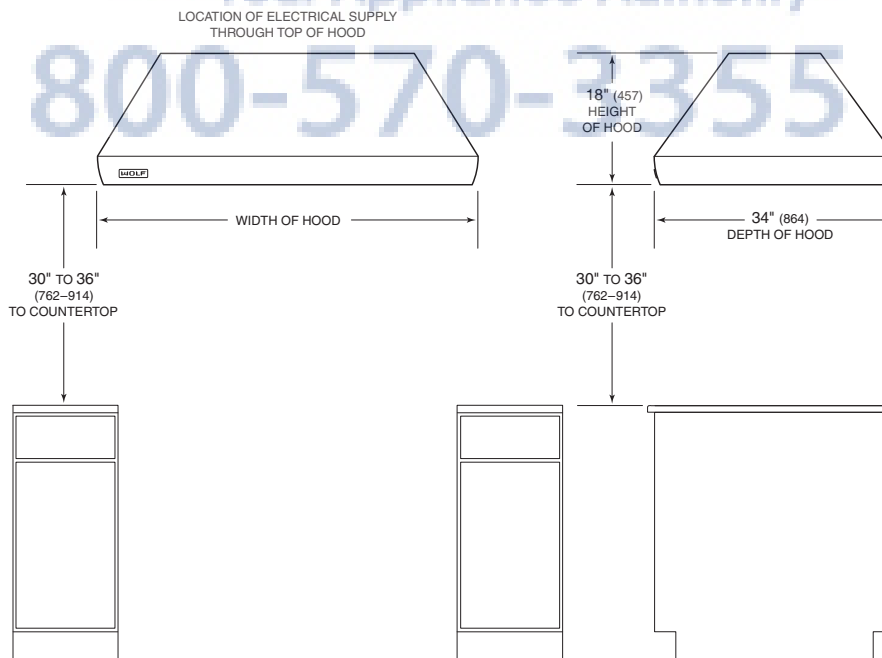
INSTALLATION

Refer to the installation instructions shipped with each Wolf ventilation product for detailed specifications. These instructions can also be found on our website, wolfappliance.com.



NOTE: Pro wall chimney hoods have a vertical discharge.

PRO ISLAND HOOD INSTALLATION



Dimensions in parentheses are in millimeters unless otherwise specified.

PRO VENTILATION HOOD LINERS



Pro ventilation hood liners are available to accommodate 36" (914), 42" (1067), 48" (1219), 54" (1372) and 60" (1524) wide hoods. The stainless steel enclosed liner has seamed construction.

Wolf Pro hood liners are recommended for use with all Wolf cooking appliances.

The ventilation hood should be at least as wide as the cooking surface. It is recommended that the hood overlap the cooking surface by 3" (76) on either side.

Installation of all Pro hood liners should be 30" (762) to 36" (914) from the bottom of the decorative hood to the cooking surface.

Wolf Pro ventilation hood liners are shipped without the blower assembly. Internal, in-line and remote blower assemblies are available.

IMPORTANT NOTE: Install these ventilation hood liners only with a Wolf blower.

Refer to the Pro Ventilation chart on page 56 for blower options for Pro hood liners.

Pro Ventilation Hood Liner Features

Easy-Access Controls. Recessed controls are up front for easy access.

Infinite-Speed Blower Control. Blower can be adjusted to any speed.

Heat Sentry Feature. This feature automatically turns the unit on when heat is sensed and adjusts blower speed. The Heat Sentry feature is always in wait and is activated when exhaust temperature from hood reaches 200°F (95°C). At this temperature, blower motor speed will automatically adjust to the next highest speed.

Halogen Lighting. Sealed lighting with two settings.

Stainless Steel Filters. Removable, easy-to-clean restaurant-grade stainless steel baffle filters and grease cups.

WOLF WARRANTY

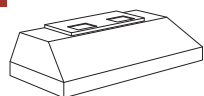
Wolf products are covered by a two and five year residential warranty (exclusions apply). See warranty details at the end of this guide.



MODEL OPTIONS

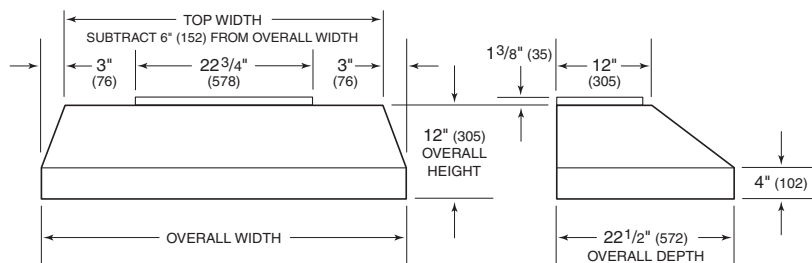
Pro Hood Liners

| | |
|---------------------|----------|
| For 36" (914) Hood | PL342212 |
| For 42" (1067) Hood | PL402212 |
| For 48" (1219) Hood | PL462212 |
| For 54" (1372) Hood | PL522212 |
| For 60" (1524) Hood | PL582212 |



Pro Hood Liners

Model PL__2212



PRO HOOD LINERS

The stainless steel enclosed hood liners come complete with baffle filters, grease cups, halogen bulbs, transition and backdraft damper. Internal, in-line and remote blowers are available through your Wolf dealer.

PRO HOOD LINERS

Model PL__2212

| | | | |
|------------------------------|---|---|----------------|
| Installation Type | Wall Hood Liner | Features | |
| Overall Width | | Recessed, easy-access controls | |
| PL342212 | 34 3/8" (873) | Variable-speed blower control | |
| PL402212 | 40 3/8" (1026) | Heat Sentry feature | |
| PL462212 | 46 3/8" (1178) | Dishwasher-safe, stainless steel baffle filters | |
| PL522212 | 52 3/8" (1330) | Halogen lighting with two settings | |
| PL582212 | 58 3/8" (1483) | | |
| Overall Height | 12" (305) | Shipping Weight | |
| Overall Depth | 22 1/2" (572) | PL342212 | 44 lbs (20 kg) |
| Blower Options | | PL402212 | 50 lbs (23 kg) |
| 1200 CFM Internal | | PL462212 | 55 lbs (25 kg) |
| 1100 CFM In-Line | | PL522212 | 60 lbs (27 kg) |
| 900, 1200 or 1500 CFM Remote | | PL582212 | 65 lbs (29 kg) |
| Transition | Transition with backdraft damper included | | |
| Duct Size | 10" (254) Round | | |
| Discharge | Vertical | | |
| Electrical Supply | 110/120 V AC, 60 Hz 15 amp dedicated circuit | | |
| Halogen Bulbs | Two 20 W, 120 V bulbs included | | |

Dimensions in parentheses are in millimeters unless otherwise specified.



PRO VENTILATION HOOD LINERS

Decorative Hood

A decorative hood can be created out of wood, plaster, tile or metal. The shape of the decorative hood is not critical. The only place where the liner and outside cover must meet is at the bottom edge of the metal liner. The decorative hood and liner must fit at the bottom edge in both width and depth.

The height of the liner does not have to be the same as the height of the decorative hood and is generally shorter.

The top depth of the liner, which is 12" (305) standard, must be less than the interior depth of the decorative hood. Measure the interior depth of the hood at the top height of the liner to make sure the liner will fit inside the decorative hood.

The hood liner comes standard with a 4" (102) lower reveal. Be sure to include this dimension in your decorative hood selection.

Always use the interior measurements of the decorative hood and measure in multiple places. Use the smallest dimensions to verify hood liner specifications.

Electrical Requirements

Wolf Pro hood liners require a separate, grounded 120 V AC, 60 Hz power supply. The service should have its own 15 amp circuit breaker. Placement of the electrical supply is not critical as long as you provide a minimum of 2' (.6 m) of 120 V AC power cable.

You must follow all National Electrical Code regulations. In addition, be aware of local codes and ordinances when installing your service.

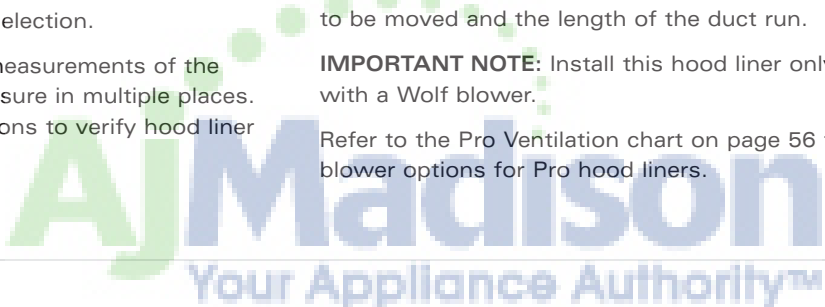
Blower Considerations

Pro hood liners are shipped without the blower assembly. Internal, in-line and remote blower assemblies are available.

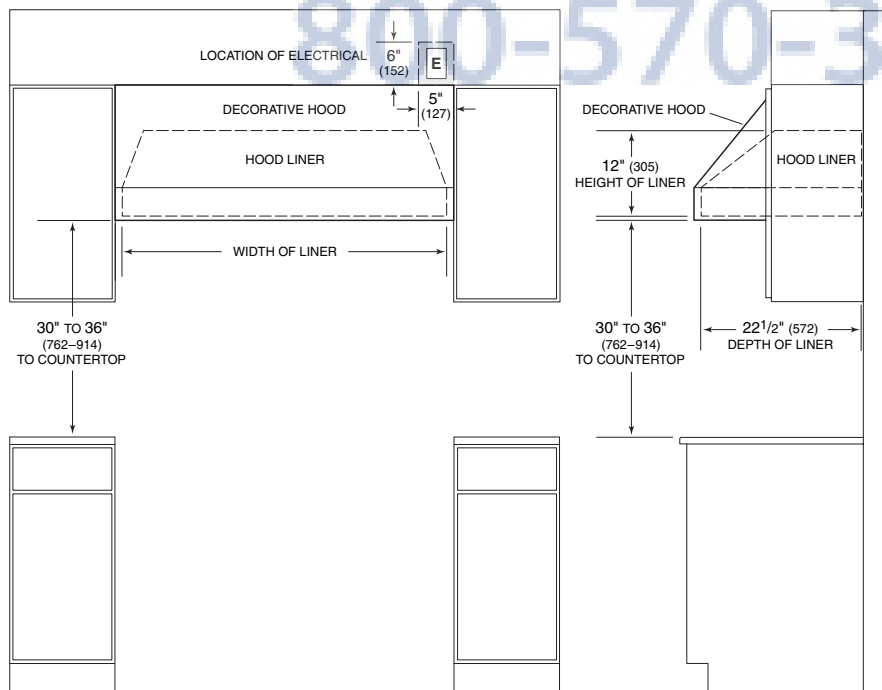
The blower will vary in size, which is dictated by the cooking surface, the volume of air that needs to be moved and the length of the duct run.

IMPORTANT NOTE: Install this hood liner only with a Wolf blower.

Refer to the Pro Ventilation chart on page 56 for blower options for Pro hood liners.



PRO HOOD LINER INSTALLATION



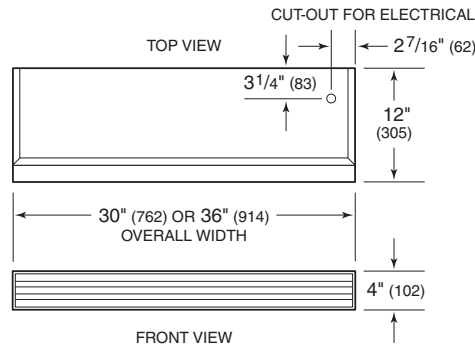
RECIRCULATING VENTILATION



30" (762)



36" (914)



RECIRCULATING VENTILATION

Recirculating ventilation units come complete with charcoal filter, including one replacement filter. 600 CFM internal blower is required. Blower and replacement filters are available through your Wolf dealer.

RECIRCULATING VENTILATION

| | |
|--|---|
| Installation Type | Wall |
| Finish | Classic Stainless Steel |
| Use with Pro Wall Hoods | PW302210(R), PW362210(R), PW302418(R) PW362418(R), PW302718(R) and PW362718(R) |
| Overall Width | 30" (762) 36" (914) |
| Overall Height | 4" (102) |
| Overall Depth | 12" (305) |
| Internal Blower Options | 500 CFM for low-profile hoods 600 CFM for 24" (610) and 27" (686) deep hoods |
| Installation Height | 30"-36" (762-914) bottom of hood to countertop |
| Ductwork | None required |
| Electrical Supply (for wall hood) | 110/120 V AC, 60 Hz 15 amp dedicated circuit |
| Shipping Weight (shell only) | 30" (762) 20 lbs (9 kg) 36" (914) 23 lbs (10 kg) |

| | |
|--------------------|--|
| Features | Heavy-duty, 20-gauge brushed stainless steel No ductwork required Charcoal filters |
| Accessories | Replacement charcoal filters |

Dimensions in parentheses are in millimeters unless otherwise specified.



RECIRCULATING VENTILATION

Installation Specifications

The low-profile recirculating ventilation unit installs on top of a ventilation hood, similar to a duct cover. Wolf recirculating units are for use with Pro wall hood Models PW302210, PW362210, PW302418, PW362418, PW302718 and PW362718.

IMPORTANT NOTE: Wolf recirculating ventilation units cannot be used with Wolf range or rangetop models with a charbroiler or griddle.

Recirculating units are an alternative option for customers required by code to install make-up air systems or where running ventilation ductwork is an issue. They are also an alternative option to ductwork for high rise buildings and apartments.

No ductwork is required for the recirculating ventilation unit. Refer to the installation illustration below.

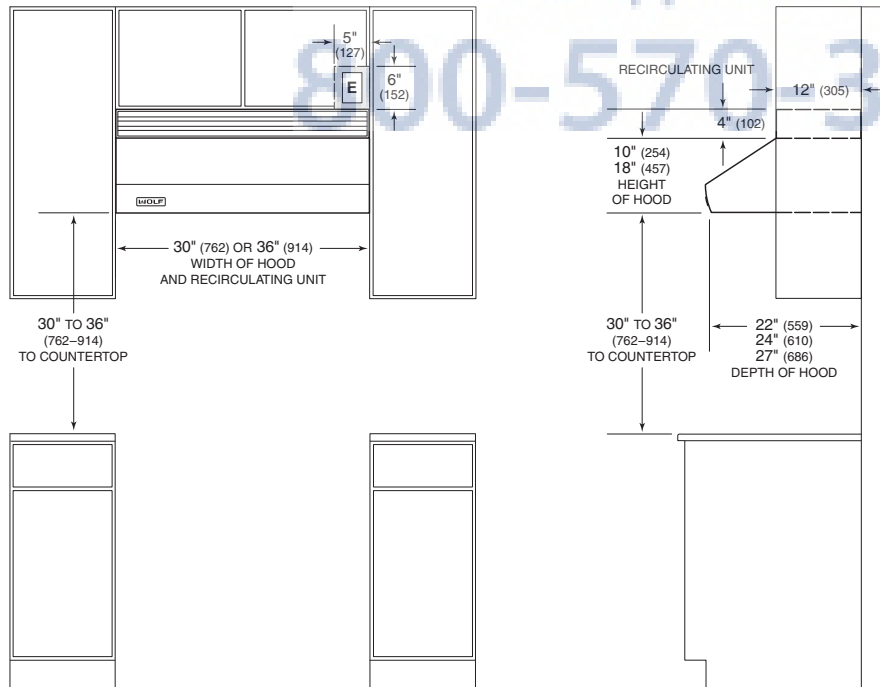
Blower Considerations

A 500 CFM internal blower (810991) for low-profile wall hoods and a 600 CFM internal blower (810559) for 24" (610) and 27" (686) deep wall hoods are available through your Wolf dealer.

IMPORTANT NOTE: Install this recirculating ventilation unit only with a Wolf blower.



RECIRCULATING KIT INSTALLATION



PRO HOODS AND HOOD LINERS

Ducting Considerations

IMPORTANT NOTE: Unless a recirculating kit is being used, all Wolf Pro ventilation hoods and hood liners must be vented to the outside. Use only metal ductwork.

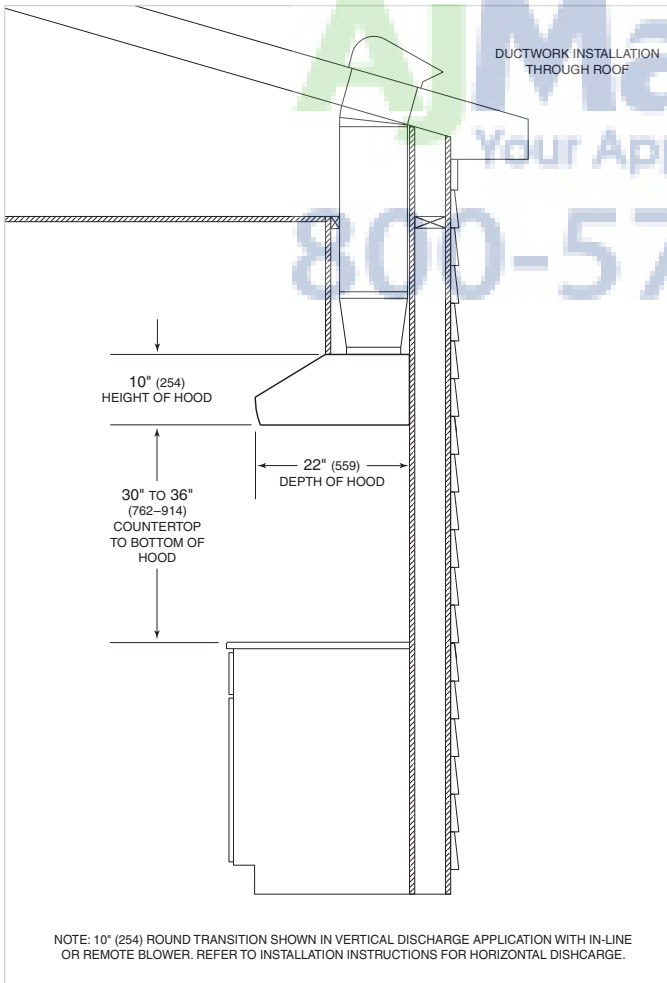
Wolf Pro low-profile wall hoods come standard from the factory with horizontal or vertical discharge.

IMPORTANT NOTE: When using an in-line or external blower with the low-profile hood, use either a 10" (254) round transition or a custom piece. The rectangular cut-out on the hood is 3 1/4" (83) x 14" (356).

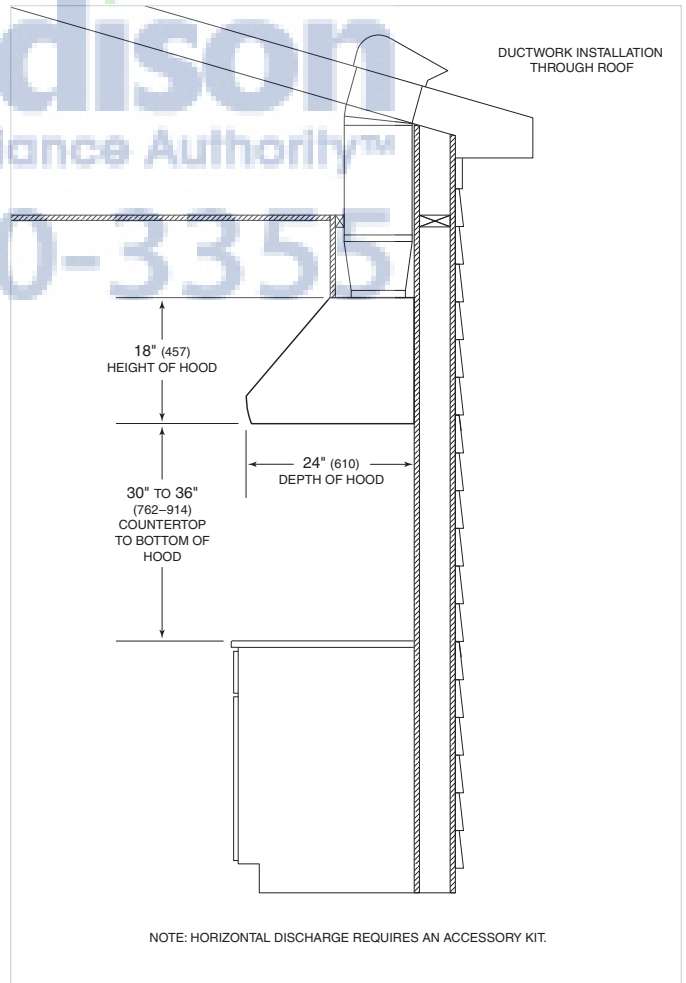
IMPORTANT NOTE: 500 CFM internal blower (810991) comes with a backdraft damper for use with 3 1/4" (83) x 10" (254) ducting attached to the blower.

Refer to illustrations below and on the following page for ducting considerations for Wolf Pro wall hoods.

PRO LOW-PROFILE WALL HOODS



PRO 24" (610) DEEP WALL HOODS



PRO HOODS AND HOOD LINERS

Ducting Considerations

Wolf Pro 24" (610) and 27" (686) deep wall hoods have a vertical discharge. A horizontal discharge kit is available as a sales accessory.

In a horizontal discharge application, additional framework may be needed to accommodate the remote blower. Consult your local HVAC professional for specific requirements in this application.

Wolf Pro wall chimney hoods, island hoods and hood liners have a vertical discharge.

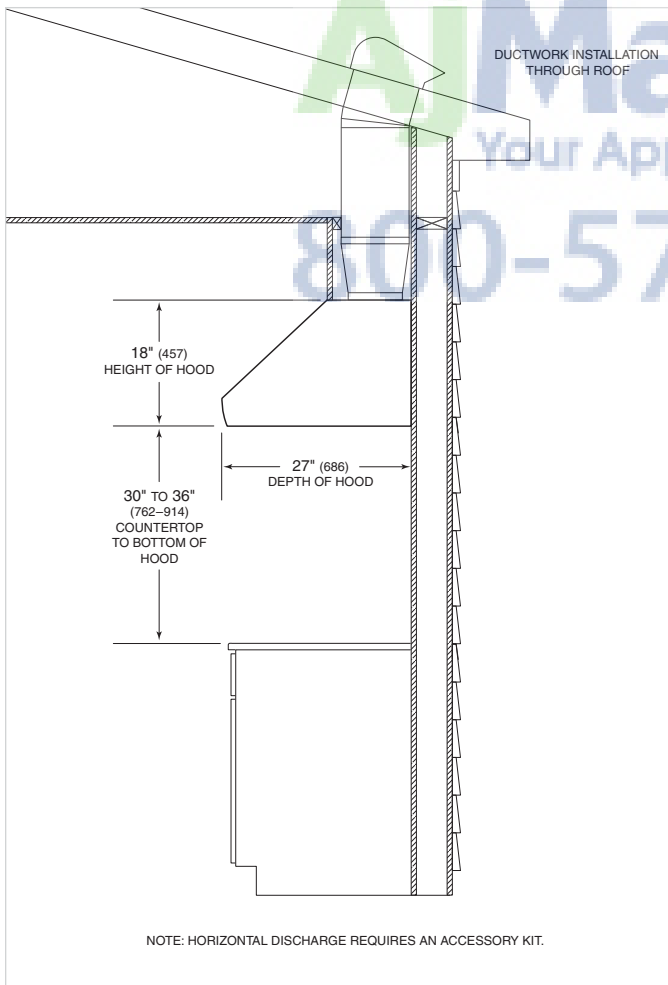
A straight, short duct run with a limited number of elbows and transitions will allow the ventilation hood to perform most efficiently. All Pro ventilation hoods and hood liners will operate most efficiently when ductwork does not exceed 50' (15 m) in length. Refer to the chart on page 52 to calculate total duct length.

IMPORTANT NOTE: Consult a qualified HVAC engineer for specific installation and ducting applications.

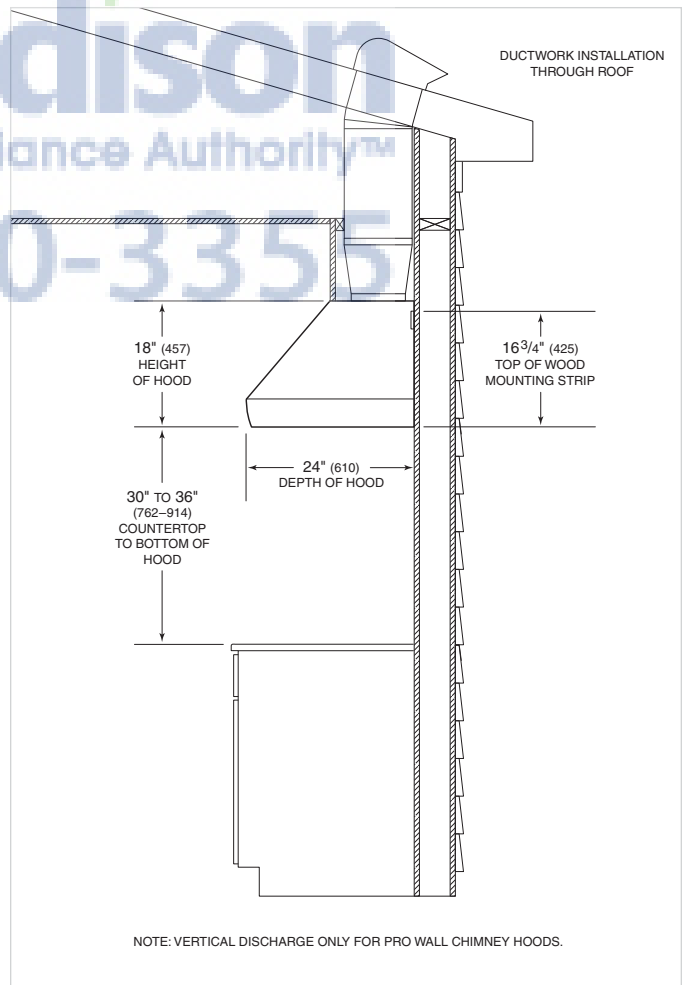
INSTALLATION

Refer to the installation instructions shipped with each Wolf ventilation product for detailed specifications. These instructions can also be found on our website, wolfappliance.com.

PRO 27" (686) DEEP WALL HOODS



PRO WALL CHIMNEY HOODS



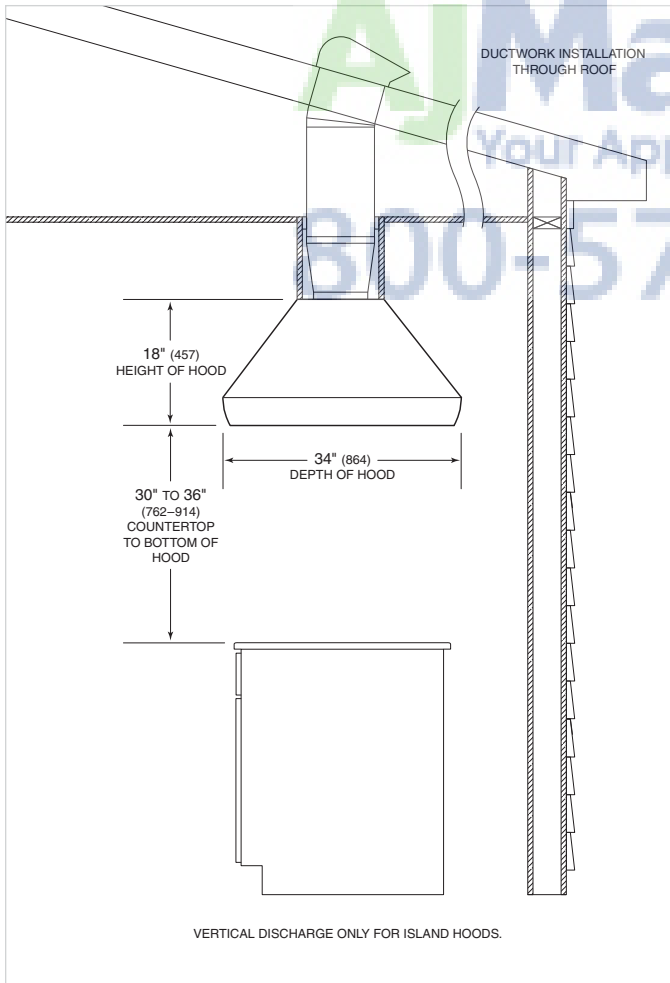
PRO HOODS AND HOOD LINERS

Ducting Considerations

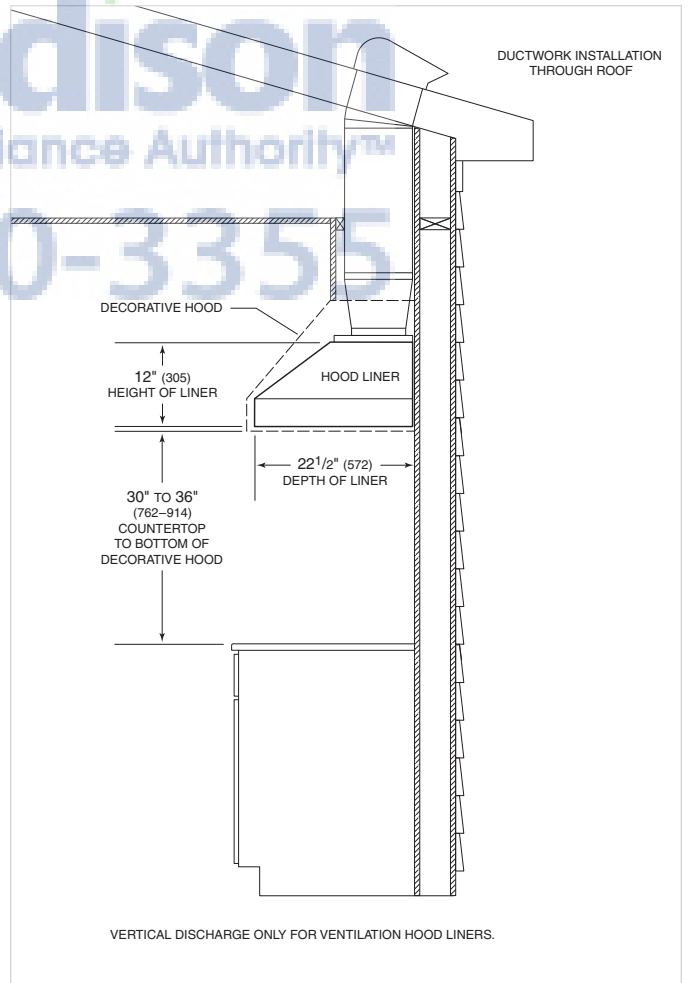
Refer to illustrations below for ducting considerations for Wolf Pro island hoods and Pro hood liners.

Refer to the installation instructions shipped with each Wolf ventilation product for detailed specifications. These instructions can also be found on our website, wolfappliance.com.

PRO ISLAND HOOD



PRO HOOD LINER



ACCESSORIES



PRO WALL AND WALL CHIMNEY HOODS

Classic Stainless Steel Backsplash without Warming Racks

| Description | Number | Models |
|----------------------------|--------|-----------------------|
| 30" (762) W x 38" (965) H | 810425 | 30" (762) Wall Hoods |
| 36" (914) W x 38" (965) H | 810426 | 36" (914) Wall Hoods |
| 42" (1067) W x 38" (965) H | 810427 | 42" (1067) Wall Hoods |
| 48" (1219) W x 38" (965) H | 810428 | 48" (1219) Wall Hoods |
| 54" (1371) W x 38" (965) H | 810429 | 54" (1371) Wall Hoods |
| 60" (1524) W x 38" (965) H | 810430 | 60" (1524) Wall Hoods |
| 66" (1676) W x 38" (965) H | 810431 | 66" (1676) Wall Hoods |

Classic Stainless Steel Backsplash with Two Warming Racks

| Description | Number | Models |
|------------------------|--------|-----------------------|
| 30" (762) x 38" (965) | 810432 | 30" (762) Wall Hoods |
| 36" (914) x 38" (965) | 810433 | 36" (914) Wall Hoods |
| 42" (1067) x 38" (965) | 810434 | 42" (1067) Wall Hoods |
| 48" (1219) x 38" (965) | 810435 | 48" (1219) Wall Hoods |
| 54" (1371) x 38" (965) | 810436 | 54" (1371) Wall Hoods |
| 60" (1524) x 38" (965) | 810437 | 60" (1524) Wall Hoods |
| 66" (1676) x 38" (965) | 810438 | 66" (1676) Wall Hoods |

Brass Decorative Rails for 'R' Models

| Description | Number | Models |
|-----------------------|--------|-----------------------|
| 30" (762) Brass Rail | 804496 | 30" (762) Wall Hoods |
| 36" (914) Brass Rail | 804497 | 36" (914) Wall Hoods |
| 42" (1067) Brass Rail | 804498 | 42" (1067) Wall Hoods |
| 48" (1219) Brass Rail | 804499 | 48" (1219) Wall Hoods |
| 54" (1371) Brass Rail | 804500 | 54" (1371) Wall Hoods |
| 60" (1524) Brass Rail | 804501 | 60" (1524) Wall Hoods |

Platinum Decorative Rails for 'R' Models

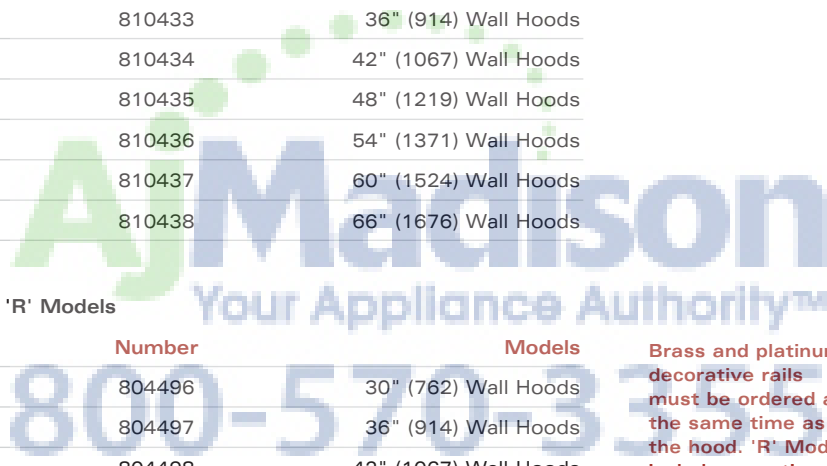
| Description | Number | Models |
|--------------------------|--------|-----------------------|
| 30" (762) Platinum Rail | 804489 | 30" (762) Wall Hoods |
| 36" (914) Platinum Rail | 804490 | 36" (914) Wall Hoods |
| 42" (1067) Platinum Rail | 804491 | 42" (1067) Wall Hoods |
| 48" (1219) Platinum Rail | 804492 | 48" (1219) Wall Hoods |
| 54" (1371) Platinum Rail | 804493 | 54" (1371) Wall Hoods |
| 60" (1524) Platinum Rail | 804494 | 60" (1524) Wall Hoods |
| 66" (1676) Platinum Rail | 804495 | 66" (1676) Wall Hoods |

ACCESSORIES

Optional accessories are available through your Wolf dealer. To obtain local dealer information, visit the Showroom Locator section of our website, wolfappliance.com.

Brass and platinum decorative rails must be ordered at the same time as the hood. 'R' Models include mounting holes for the rail and will be shipped with a classic stainless steel rail and stand-offs.

A brass decorative rail is not available in the 66" (1676) length.



ACCESSORIES

PRO WALL HOODS

Classic Stainless Steel Duct Covers

| Description | Number | Models |
|----------------------------|--------|-----------------------|
| 6" (152) H x 30" (762) W | 810710 | 30" (762) Wall Hoods |
| 12" (305) H x 30" (762) W | 810717 | 30" (762) Wall Hoods |
| 18" (457) H x 30" (762) W | 810724 | 30" (762) Wall Hoods |
| 24" (610) H x 30" (762) W | 810731 | 30" (762) Wall Hoods |
| 6" (152) H x 36" (914) W | 810711 | 36" (914) Wall Hoods |
| 12" (305) H x 36" (914) W | 810718 | 36" (914) Wall Hoods |
| 18" (457) H x 36" (914) W | 810725 | 36" (914) Wall Hoods |
| 24" (610) H x 36" (914) W | 810732 | 36" (914) Wall Hoods |
| 6" (152) H x 42" (1067) W | 810712 | 42" (1067) Wall Hoods |
| 12" (305) H x 42" (1067) W | 810719 | 42" (1067) Wall Hoods |
| 18" (457) H x 42" (1067) W | 810726 | 42" (1067) Wall Hoods |
| 24" (610) H x 42" (1067) W | 810733 | 42" (1067) Wall Hoods |
| 6" (152) H x 48" (1219) W | 810713 | 48" (1219) Wall Hoods |
| 12" (305) H x 48" (1219) W | 810720 | 48" (1219) Wall Hoods |
| 18" (457) H x 48" (1219) W | 810727 | 48" (1219) Wall Hoods |
| 24" (610) H x 48" (1219) W | 810734 | 48" (1219) Wall Hoods |
| 6" (152) H x 54" (1371) W | 810714 | 54" (1371) Wall Hoods |
| 12" (305) H x 54" (1371) W | 810721 | 54" (1371) Wall Hoods |
| 18" (457) H x 54" (1371) W | 810728 | 54" (1371) Wall Hoods |
| 24" (610) H x 54" (1371) W | 810735 | 54" (1371) Wall Hoods |
| 6" (152) H x 60" (1524) W | 810715 | 60" (1524) Wall Hoods |
| 12" (305) H x 60" (1524) W | 810722 | 60" (1524) Wall Hoods |
| 18" (457) H x 60" (1524) W | 810729 | 60" (1524) Wall Hoods |
| 24" (610) H x 60" (1524) W | 810736 | 60" (1524) Wall Hoods |
| 6" (152) H x 66" (1676) W | 810716 | 66" (1676) Wall Hoods |
| 12" (305) H x 66" (1676) W | 810723 | 66" (1676) Wall Hoods |
| 18" (457) H x 66" (1676) W | 810730 | 66" (1676) Wall Hoods |
| 24" (610) H x 66" (1676) W | 810737 | 66" (1676) Wall Hoods |

ACCESSORIES

Optional accessories are available through your Wolf dealer. To obtain local dealer information, visit the Showroom Locator section of our website, wolfappliance.com.

Dimensions in parentheses are in millimeters unless otherwise specified.

ACCESSORIES



PRO WALL CHIMNEY HOODS

Classic Stainless Steel Duct Covers

| Description | Number | Model |
|----------------------|--------|--------------|
| 6" (152) Duct Cover | 811020 | PWC362418(R) |
| 12" (305) Duct Cover | 811024 | PWC362418(R) |
| 18" (457) Duct Cover | 811028 | PWC362418(R) |
| 24" (610) Duct Cover | 811032 | PWC362418(R) |
| 6" (152) Duct Cover | 811021 | PWC422418(R) |
| 12" (305) Duct Cover | 811025 | PWC422418(R) |
| 18" (457) Duct Cover | 811029 | PWC422418(R) |
| 24" (610) Duct Cover | 811033 | PWC422418(R) |
| 6" (152) Duct Cover | 811022 | PWC482418(R) |
| 12" (305) Duct Cover | 811026 | PWC482418(R) |
| 18" (457) Duct Cover | 811030 | PWC482418(R) |
| 24" (610) Duct Cover | 811034 | PWC482418(R) |
| 6" (152) Duct Cover | 811023 | PWC542418(R) |
| 12" (305) Duct Cover | 811027 | PWC542418(R) |
| 18" (457) Duct Cover | 811031 | PWC542418(R) |
| 24" (610) Duct Cover | 811035 | PWC542418(R) |

ACCESSORIES

Optional accessories are available through your Wolf dealer. To obtain local dealer information, visit the Showroom Locator section of our website, wolfappliance.com.

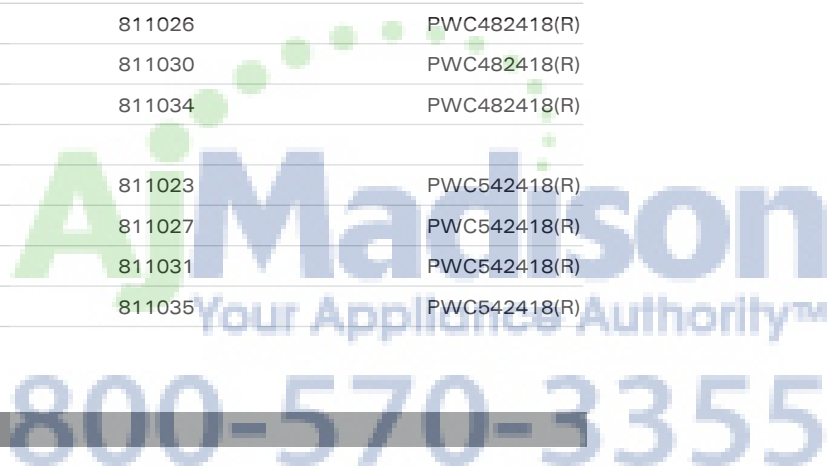
PRO WALL HOODS

Recirculating Kits

| Description | Number | Models |
|-------------------------------|--------|--------------------------------|
| Recirculating Kit | 811838 | PW302210 / PW302418 / PW302718 |
| Recirculating Kit | 811839 | PW362210 / PW362418 / PW362718 |
| Replacement Filter for 811838 | 812336 | PW302210 / PW302418 / PW302718 |
| Replacement Filter for 811839 | 812337 | PW362210 / PW362418 / PW362718 |

Horizontal Discharge Kits

| Description | Number | Models |
|--------------------------|--------|-----------------------|
| Horizontal Discharge Kit | 811088 | 30" (762) Wall Hoods |
| Horizontal Discharge Kit | 811089 | 36" (914) Wall Hoods |
| Horizontal Discharge Kit | 811090 | 42" (1067) Wall Hoods |
| Horizontal Discharge Kit | 811091 | 48" (1219) Wall Hoods |
| Horizontal Discharge Kit | 811092 | 54" (1371) Wall Hoods |
| Horizontal Discharge Kit | 811093 | 60" (1524) Wall Hoods |
| Horizontal Discharge Kit | 811094 | 66" (1676) Wall Hoods |



ACCESSORIES

PRO ISLAND HOODS

Decorative Rails for 'R' Models

| Description | Number | Model |
|-------------------------------|--------|-----------|
| Two 36" (914) Brass Rails | 804497 | PI363418R |
| Two 42" (1067) Brass Rails | 804498 | PI423418R |
| Two 54" (1371) Brass Rails | 804500 | PI543418R |
| Two 36" (914) Platinum Rails | 804490 | PI363418R |
| Two 42" (1067) Platinum Rails | 804491 | PI423418R |
| Two 54" (1371) Platinum Rails | 804493 | PI543418R |
| Two 66" (1676) Platinum Rails | 804495 | PI663418R |

Brass and platinum decorative rails must be ordered at the same time as the hood. 'R' Models include mounting holes for rails and will be shipped with classic stainless steel rails and stand-offs.

Brass decorative rails are not available in the 66" (1676) length.

Classic Stainless Steel Duct Covers

| Description | Number | Model |
|----------------------------|--------|-------------|
| 6" (152) H x 36" (914) W | 811609 | PI363418(R) |
| 12" (305) H x 36" (914) W | 811613 | PI363418(R) |
| 18" (457) H x 36" (914) W | 811617 | PI363418(R) |
| 24" (610) H x 36" (914) W | 811621 | PI363418(R) |
| 6" (152) H x 42" (1067) W | 811610 | PI423418(R) |
| 12" (305) H x 42" (1067) W | 811614 | PI423418(R) |
| 18" (457) H x 42" (1067) W | 811618 | PI423418(R) |
| 24" (610) H x 42" (1067) W | 811622 | PI423418(R) |
| 6" (152) H x 54" (1371) W | 811611 | PI543418(R) |
| 12" (305) H x 54" (1371) W | 811615 | PI543418(R) |
| 18" (457) H x 54" (1371) W | 811619 | PI543418(R) |
| 24" (610) H x 54" (1371) W | 811623 | PI543418(R) |
| 6" (152) H x 66" (1676) W | 811612 | PI663418(R) |
| 12" (305) H x 66" (1676) W | 811616 | PI663418(R) |
| 18" (457) H x 66" (1676) W | 811620 | PI663418(R) |
| 24" (610) H x 66" (1676) W | 811624 | PI663418(R) |

ACCESSORIES

Optional accessories are available through your Wolf dealer. To obtain local dealer information, visit the Showroom Locator section of our website, wolfappliance.com.

Dimensions in parentheses are in millimeters unless otherwise specified.

VENTILATION 101



After choosing your ventilation hood or downdraft, follow this three-step process to determine your blower needs:

Step 1: Determine the Ducting Run

Step 2: Determine the Minimum CFM

Step 3: Select a Blower Assembly

STEP 1: DETERMINE THE DUCT RUN

Ducting Considerations

Check local codes. Consult with an HVAC engineer, qualified service technician and/or installer to ensure that all local codes are followed. Always refer to the specific installation instructions for your Wolf ventilation product.

Minimize duct runs and number of elbows and transitions. The length of the duct run and number of elbows and transitions can have a significant effect on ventilation performance. Keep the duct run as short as possible and limit the number of elbows and transitions.

Do not place elbows and transitions back-to-back. Whenever possible, include a minimum 15" (381) straight ducting between elbows and transitions. Elbows and transitions placed too close to each other will cause a decrease in ventilation performance.

Use recommended duct sizes. Wolf recommends 8" (203) or 10" (254) ducting, depending on the ventilation system used. Smaller duct sizes will significantly reduce ventilation performance. Refer to specifications for each ventilation product.

Do not use metal flex duct. Metal flex duct will increase air resistance and is not recommended by the National Uniform Mechanical Code Standards.

Do not use butt joints. Whenever possible, use male/female connections with the male end pointing in the direction of the air flow. Tightly tape joints to maximize ventilation performance.

Cold weather installations. Cold weather installations may require an additional backdraft damper to minimize backward flow of cold air. It should be placed as close to the roof or wall cap as possible. All Wolf ventilation hoods, except low-profile wall hoods, come with a backdraft damper connected to the transition. Downdrafts do not have a backdraft damper.

High Altitudes. Ventilation systems are less effective at higher altitudes—above 5,000' (1524 m). At these altitudes, you should estimate a 20%–25% reduction in CFM performance. Solutions include using a higher CFM blower and increasing the duct size.

Make-up air may be required. Most newer homes have tightly sealed doors and windows. Make-up air may be needed to replace the air removed by the ventilation system. Many heating and air conditioning systems provide make-up air. Opening a window or door can be an option but may be less effective.

IMPORTANT NOTE: Consult a qualified HVAC engineer for specific applications.

Recirculating ventilation. Recirculating units recycle the air through a filter and return it to the kitchen. This type of ventilation will not remove heat, moisture or combustion gases from the air. It will also be less effective in reducing odors and smoke. Recirculating units should only be used in applications where ducting to the outside is not an option, and only if local codes allow it. Recirculating units should not be used with ranges or rangetops that contain a char-broiler or griddle.

Determining the Equivalent Duct Length.

Determine the equivalent duct length for your installation using the equivalent duct lengths for commonly used transitions. Refer to the chart on the following page. The equivalent duct length is calculated as follows:

- 1) Compute the equivalent duct length of all transitions, caps and dampers.
- 2) Compute the length of all straight ducting.
- 3) Sum equivalent lengths for all sections of the duct run.



STEP 1: DETERMINE THE DUCT RUN

| EQUIVALENT DUCT LENGTHS | | | | |
|--|---|-------------------|--------------|-------|
| Duct Fitting | Size | Equivalent Length | Quantity | Total |
| 1' (.3 m) Straight Ducting | | | | |
| | 6" (152) Round | 4' (1.2 m) | | |
| | 8" (203) Round | 1' (.3 m) | | |
| | 10" (254) Round | .3' (.1 m) | | |
| | 3 1/4" (83) x 10" (152) | 4' (1.2 m) | | |
| 90° Elbow | | | | |
| | 6" (152) Round | 24' (7.3 m) | | |
| | 8" (203) Round | 7' (2.1 m) | | |
| | 10" (254) Round | 3' (.9 m) | | |
| | 3 1/4" (83) x 10" (152) | 12' (3.7 m) | | |
| 45° Elbow | | | | |
| | 6" (152) Round | 12' (3.7 m) | | |
| | 8" (203) Round | 4' (1.2 m) | | |
| | 10" (254) Round | 2' (.6 m) | | |
| | 3 1/4" (83) x 10" (152) | 8' (2.4 m) | | |
| Round to Rectangular Transition | | | | |
| | 6" (152) Round to 3 1/4" (83) x 10" (152) | 5' (1.5 m) | | |
| | 8" (203) Round to 3 1/4" (83) x 10" (152) | 1' (.3 m) | | |
| | 3 1/4" (83) x 10" (152) to 6" (152) Round | 12' (3.7 m) | | |
| | 3 1/4" (83) x 10" (152) to 8" (203) Round | 16' (4.9 m) | | |
| Round to Round Transition | | | | |
| | 6" (152) Round to 8" (203) Round | 4' (1.2 m) | | |
| | 8" (203) Round to 10" (254) Round | 1' (.3 m) | | |
| | 8" (203) Round to 6" (152) Round | 12' (3.7 m) | | |
| | 10" (254) Round to 8" (203) Round | 3' (.9 m) | | |
| Roof Cap or Wall Cap | | | | |
| | 6" (152) Round | 60' (18.3 m) | | |
| | 8" (203) Round | 20' (6.1 m) | | |
| | 10" (254) Round | 9' (2.7 m) | | |
| | 3 1/4" (83) x 10" (152) | 60' (18.3 m) | | |
| | | | Total | |

Dimensions in parentheses are in millimeters unless otherwise specified.



STEP 2: DETERMINE MINIMUM CFM

Minimum CFM Recommendations

The chart below provides the minimum CFM recommendations according to the cooking appliance and ventilation system used. The recommendations are based on total Btu/hr output.

Wolf recommends 1 CFM per 100 Btu/hr (.03 kW). Additional CFM may be needed for installations with charbroilers, griddles or long duct runs. When determining the proper CFM for your installation, take into consideration the equivalent duct length that was calculated following the steps on page 51.

IMPORTANT NOTE: Consult a qualified HVAC engineer for specific applications.

MINIMUM CFM RECOMMENDATIONS FOR WOLF COOKING PRODUCTS

| | COOKTOP HOODS | DOWNDRAFTS | PRO HOODS |
|--|---------------|------------|-----------|
| MODEL | CFM | CFM | CFM |
| COOKTOPS AND INTEGRATED MODULES | | | |
| CT15I, CT15E, CT15G, IG15*, IS15*, IF15* and IM15 | 215 | 150 | 215 |
| CT30I, CT30IU, CT30E, CT30EU and CT30G | 450 | 350 | 500 |
| CT36I, CT36IU, CT36E, CT36EU and CT36G | 600 | 500 | 500 |
| DUAL FUEL RANGES | | | |
| DF304 | | | 500 |
| DF366, DF364C and DF364G | | | 900 |
| DF486C, DF486G, DF484CG, DF484DG and DF484F | | | 1100 |
| DF606DG, DF606F, DF606CG, DF604CF and DF604GF | | | 1500 |
| SEALED BURNER RANGETOPS | | | |
| SRT304 | | 500 | 500 |
| SRT366 | | 500 | 900 |
| SRT364C and SRT364G | | | 900 |
| SRT486C, SRT486G, SRT484CG, SRT484DG and SRT484F | | | 900 |
| GAS RANGES | | | |
| R304 | | | 500 |
| R366, R364C and R364G | | | 900 |
| R488, R486C, R486G, R484CG, R484DG and R484F | | | 1100 |
| R606DG, R606F and R606CG | | | 1500 |
| GAS RANGETOPS | | | |
| RT366, RT364C, RT364G and RT362F | | | 900 |
| RT488, RT486C, RT486G, RT484CG, RT484DG and RT484F | | | 1100 |

*Downdraft systems are not recommended for use with the electric grill, steamer and fryer modules.

STEP 3: SELECT A BLOWER

Wolf Blower Assemblies

A ventilation system must include a blower assembly. Most Wolf ventilation hoods and downdrafts are sold as a shell only. There are a few exceptions where internal blowers are included. An internal, in-line or remote blower assembly must be selected to accommodate the cooking appliance CFM requirements and homeowner preferences. Wolf internal, in-line and remote blowers are available through your Wolf dealer.

IMPORTANT NOTE: Wolf ventilation hoods and downdrafts must be installed only with a Wolf blower.

Cooktop and Pro Ventilation charts on pages 55–56 provide blower options for each specific ventilation hood or downdraft.

Installation instructions shipped with each Wolf blower assembly provide detailed specifications. These instructions can also be found on our website, wolfappliance.com.

Internal Blowers

Internal blowers are mounted inside the hood canopy or downdraft blower box and provide the least disruption to the exterior of the home.

Wolf internal blowers are for use with Wolf cooktop hoods, downdraft systems and Pro ventilation hoods and hood liners. Specifications for internal blowers can be found on pages 57–61.

In-Line Blowers

Wolf in-line blowers are mounted between the hood and the exterior of the home. Ducting runs from the hood and connects to the blower. More ducting is attached to the other side of the blower and runs to the exterior of the home. This is a great option for those who do not want the blower mounted inside the hood but cannot, or prefer not to, mount a remote blower on the exterior of the home.

Wolf in-line blowers are for use with Wolf cooktop hoods, downdraft systems and Pro ventilation hoods and hood liners. Specifications for in-line blowers can be found on pages 62–63 with additional planning information on page 72.

Remote Blowers

Remote blowers can be mounted on the roof or, in some cases, on an exterior wall. A remote-mounted blower will minimize the amount of blower noise but will not eliminate the noise completely.

Wolf remote blowers are for use with Wolf cooktop hoods, downdraft systems and Pro ventilation hoods and hood liners. Specifications for remote blowers can be found on pages 64–70 with additional planning information on pages 73–75.

ACCESSORIES

Optional accessories are available through your Wolf dealer. To obtain local dealer information, visit the Showroom Locator section of our website, wolfappliance.com.

Dimensions in parentheses are in millimeters unless otherwise specified.

MODEL OPTIONS

Internal Blowers

| | |
|----------|------------------------|
| 450 CFM | 801643 |
| 500 CFM | 810991 |
| 600 CFM | 801644, 810559 |
| 900 CFM | 801645, 811131 |
| 1200 CFM | 810316, 804703, 805087 |

In-Line Blowers

| | |
|----------|--------|
| 600 CFM | 808331 |
| 1100 CFM | 808332 |

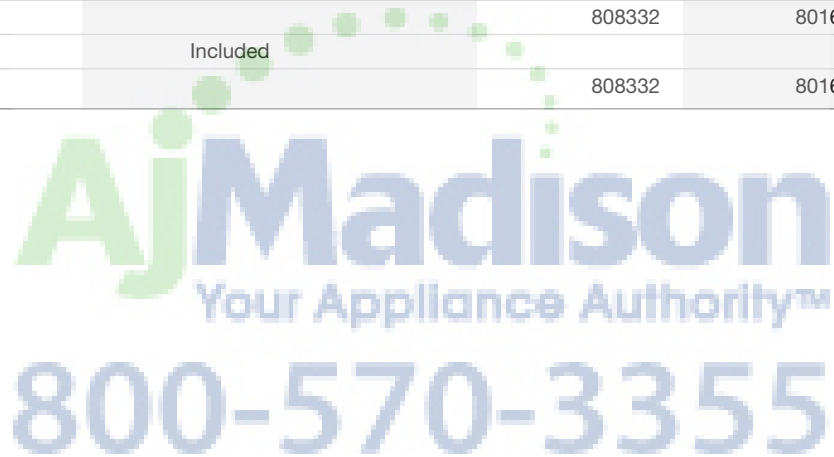
Remote Blowers

| | |
|----------|--------|
| 600 CFM | 801640 |
| 900 CFM | 801641 |
| 1200 CFM | 801642 |
| 1500 CFM | 804701 |

COOKTOP VENTILATION BLOWER OPTIONS



| CFM | INTERNAL BLOWERS | | | | IN-LINE BLOWERS | | REMOTE BLOWERS | | | |
|--------------------------------------|------------------|----------|--------|--------|-----------------|--------|----------------|--------|--------|--------|
| | 450 | 500 | 600 | 900 | 600 | 1100 | 600 | 900 | 1200 | 1500 |
| COOKTOP CHIMNEY HOODS | | | | | | | | | | |
| CTWH30 | 801643 | | | | 808331 | 808332 | 801640 | 801641 | 801642 | 804701 |
| CTWH36 | | | 801644 | 801645 | 808331 | 808332 | 801640 | 801641 | 801642 | 804701 |
| IH4227 | | | 801644 | 801645 | 808331 | 808332 | 801640 | 801641 | 801642 | 804701 |
| COOKTOP LOW-PROFILE HOODS | | | | | | | | | | |
| CTEWH30I | | Included | | | | | | | | |
| CTEWH36I | | Included | | | | | | | | |
| CTEWH36 | | | | | 808331 | 808332 | 801640 | 801641 | 801642 | 804701 |
| CTEWH45I | | Included | | | | | | | | |
| CTEWH45 | | | | | 808331 | 808332 | 801640 | 801641 | 801642 | 804701 |
| CTEIH42I | | Included | | | | | | | | |
| DOWNDRAFT VENTILATION SYSTEMS | | | | | | | | | | |
| DD30I | | Included | | | | | | | | |
| DD30R | | | | | | 808332 | | 801641 | 801642 | 804701 |
| DD36I | | Included | | | | | | | | |
| DD36R | | | | | | 808332 | | 801641 | 801642 | 804701 |
| DD45I | | Included | | | | | | | | |
| DD45R | | | | | | 808332 | | 801641 | 801642 | 804701 |



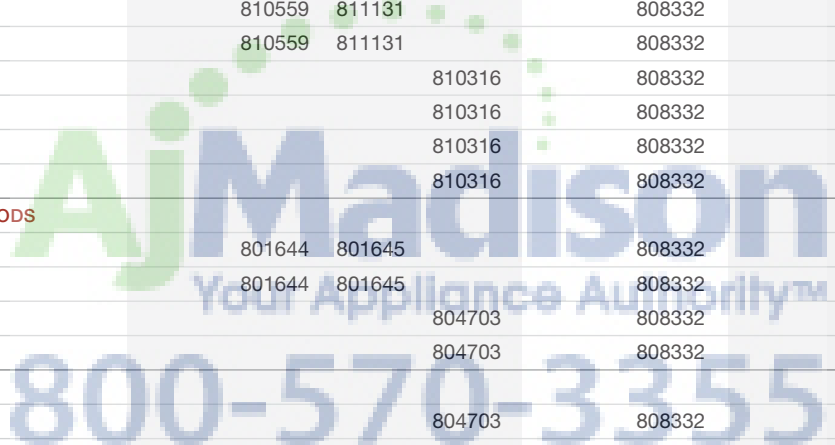
Refer to the chart on page 53 for minimum CFM recommendations for your specific cooking product.

IMPORTANT NOTE: Additional CFM may be required for long duct runs or ranges and rangetops with a charbroiler or griddle.



PRO VENTILATION BLOWER OPTIONS

| CFM | INTERNAL BLOWERS | | | | IN-LINE BLOWERS | | REMOTE BLOWERS | | | |
|--------------------------------------|------------------|--------|--------|--------|-----------------|--------|----------------|--------|--------|--------|
| | 500 | 600 | 900 | 1200 | 600 | 1100 | 600 | 900 | 1200 | 1500 |
| PRO LOW-PROFILE WALL HOODS | | | | | | | | | | |
| PW302210 | 810991 | | | | 808331 | | 801640 | 801641 | | |
| PW362210 | 810991 | | | | 808331 | | 801640 | 801641 | | |
| PW422210 | | | | | 808331 | | 801640 | 801641 | | |
| PW482210 | | | | | 808331 | | 801640 | 801641 | | |
| PRO 24" (610) DEEP WALL HOODS | | | | | | | | | | |
| PW302418 | | 810559 | 811131 | | 808331 | 808332 | 801640 | 801641 | 801642 | 804701 |
| PW362418 | | 810559 | 811131 | | | 808332 | | 801641 | 801642 | 804701 |
| PW422418 | | 810559 | 811131 | | | 808332 | | 801641 | 801642 | 804701 |
| PW482418 | | | | 810316 | | 808332 | | 801641 | 801642 | 804701 |
| PW542418 | | | | 810316 | | 808332 | | 801641 | 801642 | 804701 |
| PW602418 | | | | 810316 | | 808332 | | | 801642 | 804701 |
| PW662418 | | | | 810316 | | 808332 | | | 801642 | 804701 |
| PRO 27" (686) DEEP WALL HOODS | | | | | | | | | | |
| PW302718 | | 810559 | 811131 | | 808331 | 808332 | 801640 | 801641 | 801642 | 804701 |
| PW362718 | | 810559 | 811131 | | | 808332 | | 801641 | 801642 | 804701 |
| PW422718 | | 810559 | 811131 | | | 808332 | | 801641 | 801642 | 804701 |
| PW482718 | | | | 810316 | | 808332 | | 801641 | 801642 | 804701 |
| PW542718 | | | | 810316 | | 808332 | | 801641 | 801642 | 804701 |
| PW602718 | | | | 810316 | | 808332 | | | 801642 | 804701 |
| PW662718 | | | | 810316 | | 808332 | | | 801642 | 804701 |
| PRO WALL CHIMNEY HOODS | | | | | | | | | | |
| PWC362418 | | 801644 | 801645 | | | 808332 | | 801641 | 801642 | 804701 |
| PWC422418 | | 801644 | 801645 | | | 808332 | | 801641 | 801642 | 804701 |
| PWC482418 | | | | 804703 | | 808332 | | 801641 | 801642 | 804701 |
| PWC542418 | | | | 804703 | | 808332 | | 801641 | 801642 | 804701 |
| PRO ISLAND HOODS | | | | | | | | | | |
| PI363418 | | | | 804703 | | 808332 | | 801641 | 801642 | 804701 |
| PI423418 | | | | 804703 | | 808332 | | 801641 | 801642 | 804701 |
| PI543418 | | | | 804703 | | 808332 | | 801641 | 801642 | 804701 |
| PI663418 | | | | 804703 | | 808332 | | | 801642 | 804701 |
| PRO HOOD LINERS | | | | | | | | | | |
| PL342212 | | | | 805087 | | 808332 | | 801641 | 801642 | 804701 |
| PL402212 | | | | 805087 | | 808332 | | 801641 | 801642 | 804701 |
| PL462212 | | | | 805087 | | 808332 | | 801641 | 801642 | 804701 |
| PL522212 | | | | 805087 | | 808332 | | 801641 | 801642 | 804701 |
| PL582212 | | | | 805087 | | 808332 | | 801641 | 801642 | 804701 |



Refer to the chart on page 53 for minimum CFM recommendations for your specific cooking product.

IMPORTANT NOTE: Additional CFM may be required for long duct runs or ranges and rangetops with a charbroiler or griddle.

INTERNAL BLOWERS

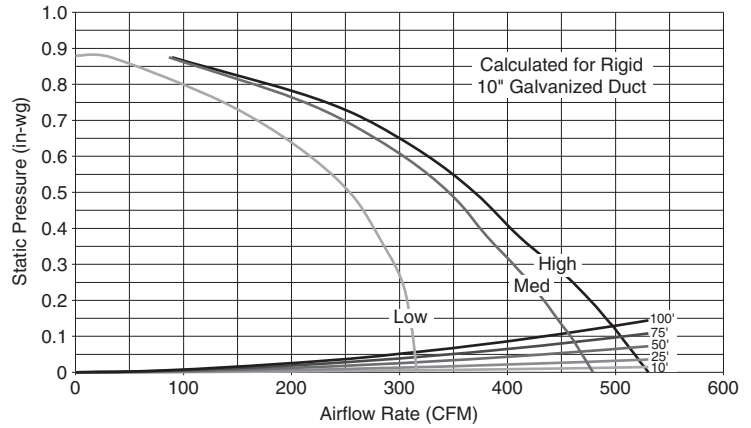


450 CFM INTERNAL BLOWER

801643

| | |
|-----------------------|-----------------------------|
| Blower Type | Internal |
| Maximum CFM | 450 |
| Use with Cooktop Hood | CTWH30 |
| Duct Size | 8" (203) round |
| Discharge | Vertical |
| Electrical Rating | 2.4 amps at 120 V AC, 60 Hz |
| Wall Cap | Required |
| Shipping Weight | 14 lbs (6 kg) |

Airflow Rate for 450 CFM Internal Blower (801643) with Cooktop Hoods

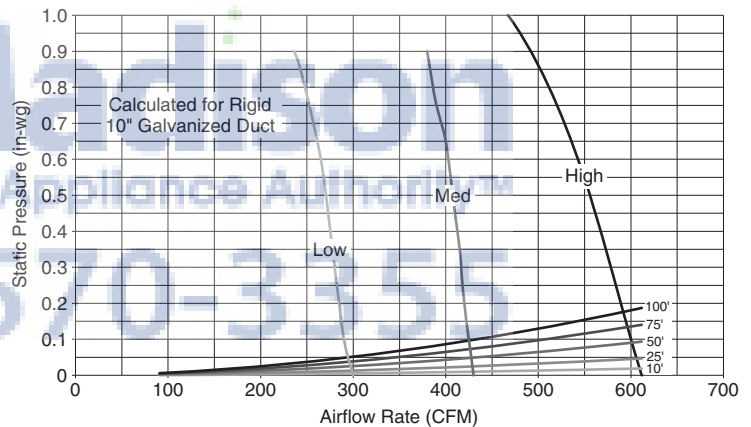


600 CFM INTERNAL BLOWER

801644

| | |
|------------------------|-----------------------------|
| Blower Type | Internal |
| Maximum CFM | 600 |
| Use with Cooktop Hoods | CTWH36 IH4227 |
| Duct Size | 8" (203) round |
| Discharge | Vertical |
| Electrical Rating | 3.0 amps at 120 V AC, 60 Hz |
| Wall Cap | Required |
| Shipping Weight | 15 lbs (7 kg) |

Airflow Rate for 600 CFM Internal Blower (801644) with Cooktop Hoods



900 CFM INTERNAL BLOWER

801645

| | |
|------------------------|-----------------------------|
| Blower Type | Internal |
| Maximum CFM | 900 |
| Use with Cooktop Hoods | CTWH36 IH4227 |
| Duct Size | 8" (203) round |
| Discharge | Vertical |
| Electrical Rating | 4.8 amps at 120 V AC, 60 Hz |
| Wall Cap | Required |
| Shipping Weight | 26 lbs (12 kg) |

NOTE: Air flow rates for blowers are approximate. A qualified HVAC engineer should make actual system calculations.



INTERNAL BLOWERS

500 CFM INTERNAL BLOWER

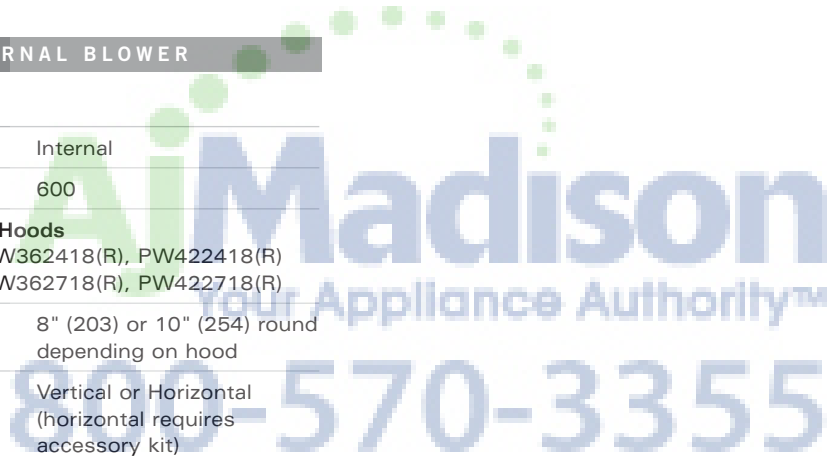
810991

| | |
|--|--|
| Blower Type | Internal |
| Maximum CFM | 500 |
| Use with Pro Wall Hoods PW302210(R), PW362210(R) | |
| Duct Size | 8" (203) or 10" (254) round depending on hood |
| Discharge | Vertical or Horizontal |
| Electrical Rating | 1.8 amps at 120 V AC, 60 Hz |
| Wall Cap | Required |

600 CFM INTERNAL BLOWER

810559

| | |
|--|--|
| Blower Type | Internal |
| Maximum CFM | 600 |
| Use with Pro Wall Hoods PW302418(R), PW362418(R), PW422418(R) PW302718(R), PW362718(R), PW422718(R) | |
| Duct Size | 8" (203) or 10" (254) round depending on hood |
| Discharge | Vertical or Horizontal (horizontal requires accessory kit) |
| Electrical Rating | 3.8 amps at 120 V AC, 60 Hz |
| Wall Cap | Required |
| Shipping Weight | 10 lbs (5 kg) |



Dimensions in
parentheses are in
millimeters unless
otherwise specified.

INTERNAL BLOWERS

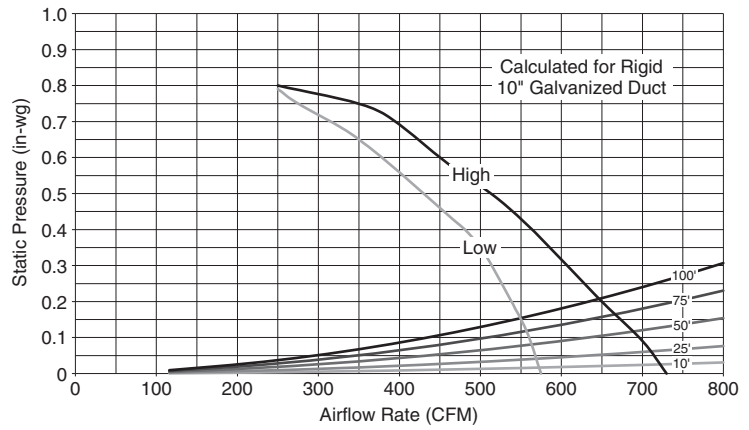


900 CFM INTERNAL BLOWER

811131

| | |
|--------------------------------|--|
| Blower Type | Internal |
| Maximum CFM | 900 |
| Use with Pro Wall Hoods | PW302418(R), PW362418(R), PW422418(R) PW302718(R), PW362718(R), PW422718(R) |
| Duct Size | 10" (254) round |
| Discharge | Vertical or Horizontal (horizontal requires accessory kit) |
| Electrical Rating | 7.6 amps at 120 V AC, 60 Hz |
| Wall Cap | Required |
| Shipping Weight | 30 lbs (14 kg) |

Airflow Rate for 900 CFM Internal Blower (811131) with Pro Wall Hoods



NOTE: Air flow rates for blowers are approximate. A qualified HVAC engineer should make actual system calculations.





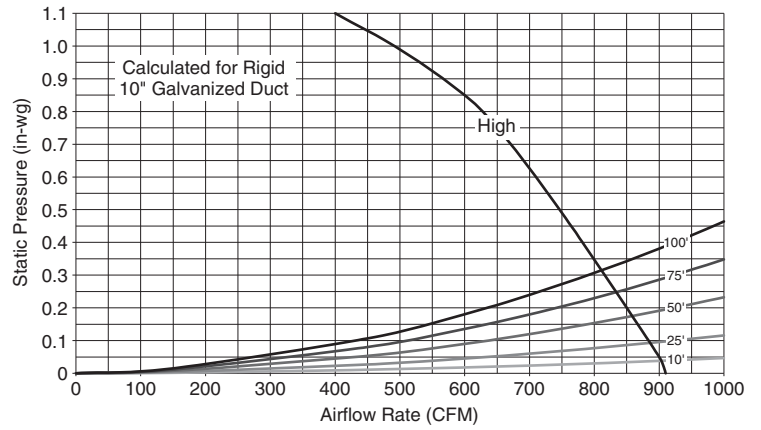
INTERNAL BLOWERS

1200 CFM INTERNAL BLOWER

810316

| | |
|--|--|
| Blower Type | Internal |
| Maximum CFM | 1200 |
| Use with Pro Wall Hoods PW482418(R), PW542418(R), PW602418(R), PW662418(R), PW482718(R), PW542718(R), PW602718(R), PW662718(R) | |
| Duct Size | 10" (254) round |
| Discharge | Vertical or Horizontal (horizontal requires accessory kit) |
| Electrical Rating | 3.4 amps at 120 V AC, 60 Hz |
| Wall Cap | Required |
| Shipping Weight | 34 lbs (15 kg) |

Airflow Rate for 1200 CFM Internal Blower (810316) with Pro Wall Hoods



NOTE: Air flow rates for blowers are approximate. A qualified HVAC engineer should make actual system calculations.



Dimensions in parentheses are in millimeters unless otherwise specified.

INTERNAL BLOWERS

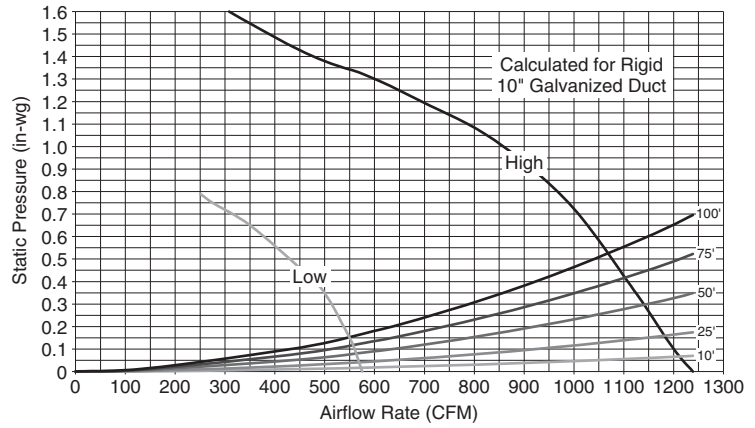


1200 CFM INTERNAL BLOWER

804703

| | |
|--------------------|--|
| Blower Type | Internal |
| Maximum CFM | 1200 |
| Use with Pro Hoods | PWC482418(R), PWC542418(R) All Pro Island Hoods |
| Duct Size | 10" (254) round |
| Discharge | Vertical |
| Electrical Rating | 4.5 amps at 120 V AC, 60 Hz |
| Roof Cap | Required |
| Shipping Weight | 27 lbs (12 kg) |

Airflow Rate for 1200 CFM Internal Blower (804703) with Pro Island Hoods

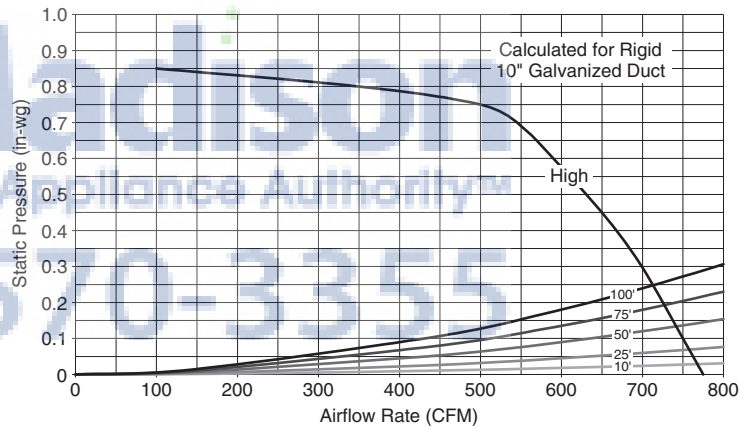


1200 CFM INTERNAL BLOWER

805087

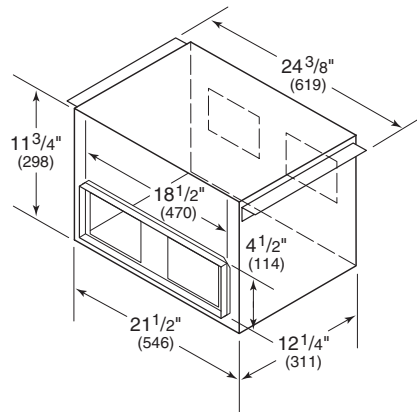
| | |
|--------------------------|---|
| Blower Type | Internal |
| Maximum CFM | 1200 |
| Use with Pro Hood Liners | PL342212, PL402212, PL462212, PL522212, PL582212 |
| Duct Size | 10" (254) round |
| Discharge | Vertical |
| Electrical Rating | 3.4 amps at 120 V AC, 60 Hz |
| Wall Cap | Required |
| Shipping Weight | 34 lbs (15 kg) |

Airflow Rate for 1200 CFM Internal Blower (805087) with Pro Hood Liners



NOTE: Air flow rates for blowers are approximate. A qualified HVAC engineer should make actual system calculations.

IN-LINE BLOWERS



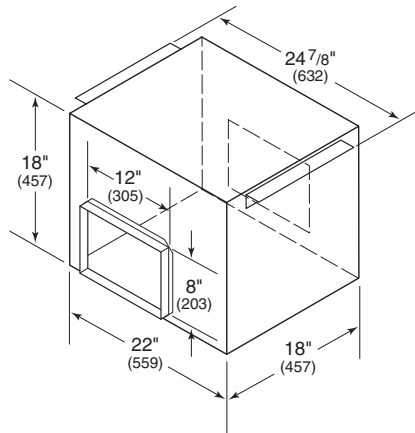
600 CFM IN-LINE BLOWER

808331

| | |
|---|--|
| Blower Type | In-Line |
| Maximum CFM | 600 |
| Overall Dimensions W x H x D | $24\frac{3}{8}$ " x $11\frac{3}{4}$ " x $12\frac{1}{4}$ " (619 x 298 x 311) |
| Use with Cooktop Hoods | CTWH30, CTWH36, IH4227 |
| Use with Pro Wall Hoods | PW302210(R), PW362210(R), PW422210(R) PW482210(R), PW302418(R), PW302718(R) |
| Duct Size | 10" (254) round |
| Discharge | Vertical |
| Transition | $4\frac{1}{2}$ " (114) x $18\frac{1}{2}$ " (470) to 10" (254) round (two transitions included) |
| Electrical Rating | 2.9 amps at 120 V AC, 60 Hz |
| Shipping Weight | 44 lbs (20 kg) |

Dimensions in
parentheses are in
millimeters unless
otherwise specified.

IN-LINE BLOWERS



PLANNING INFORMATION

Planning information for remote blowers can be found on pages 71-72.

1100 CFM IN-LINE BLOWER

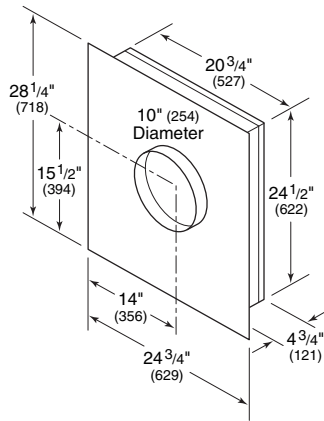
808332

| | |
|---|--|
| Blower Type | In-Line |
| Maximum CFM | 1100 |
| Overall Dimensions W x H x D | 24 ⁷ / ₈ " x 18" x 18" (632 x 457 x 457) |
| Use with Cooktop Hoods | CTWH30, CTWH36, IH4227 |
| Use with Downdrafts | DD30R, DD36R, DD45R |
| Use with Pro Hoods | All 24" (610) Deep Pro Wall Hoods, All 27" (686) Deep Pro Wall Hoods, All Pro Wall Chimney Hoods All Pro Island Hoods |
| Use with Pro Hood Liners | All Pro Hood Liners |
| Duct Size | 10" (254) round |
| Discharge | Vertical |
| Transition | 8 ¹ / ₂ " (216) x 12" (305) to 10" (254) round (two transitions included) |
| Electrical Rating | 5.0 amps at 120 V AC, 60 Hz |
| Shipping Weight | 63 lbs (29 kg) |





REMOTE BLOWERS

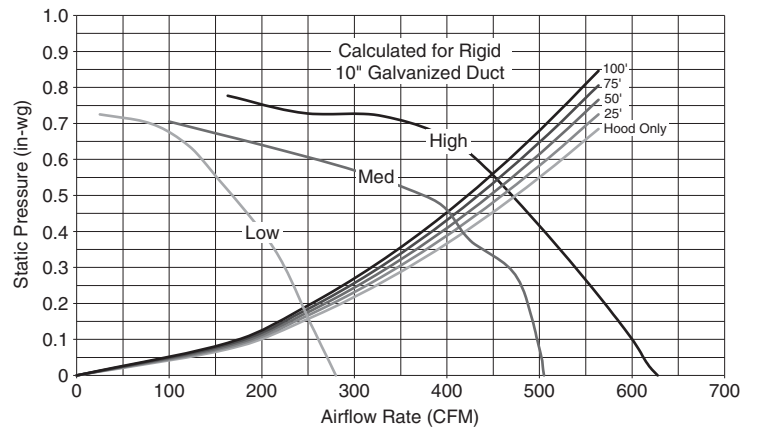


600 CFM REMOTE BLOWER

801640

| | |
|---------------------------------|--|
| Blower Type | Remote |
| Maximum CFM | 600 |
| Overall Dimensions W x H x D | 20 ³ / ₄ " x 24 ¹ / ₂ " x 4 ³ / ₄ " (527 x 622 x 121) |
| Use with Cooktop Hoods | CTWH30, CTWH36, IH4227 |
| Use with Pro Wall Hoods | PW302210(R), PW362210(R), PW422210(R) PW482210(R), PW302418(R), PW302718(R) |
| Duct Size | 10" (254) Round |
| Electrical Rating | 2.4 amps at 120 V AC, 60 Hz |
| Shipping Weight | 32 lbs (15 kg) |

Airflow Rate for 600 CFM Remote Blower (801640) with Cooktop Hoods

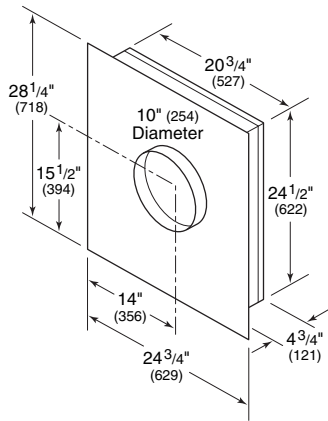


NOTE: Air flow rates for blowers are approximate. A qualified HVAC engineer should make actual system calculations.

800-570-3355

Dimensions in parentheses are in millimeters unless otherwise specified.

REMOTE BLOWERS

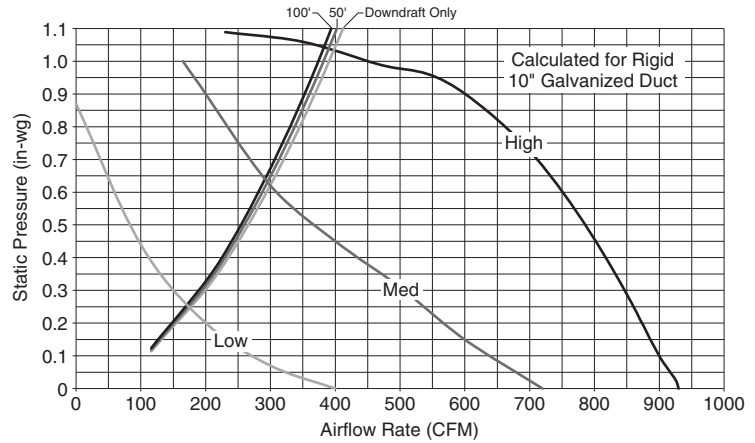


900 CFM REMOTE BLOWER

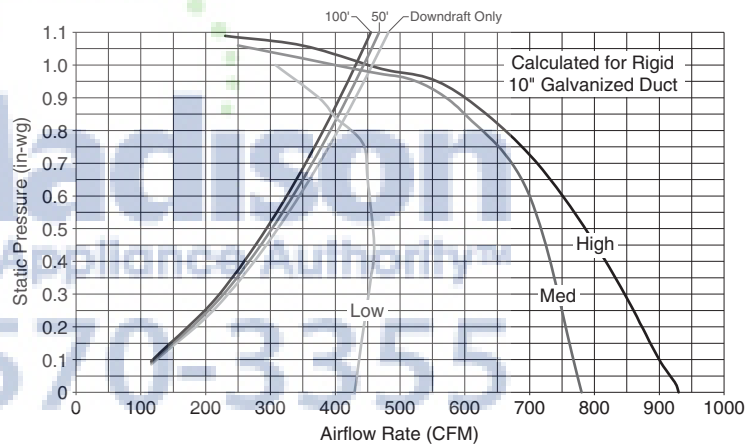
801641

| | |
|---|---|
| Blower Type | Remote |
| Maximum CFM | 900 |
| Overall Dimensions W x H x D | 20 ³ / ₄ " x 24 ¹ / ₂ " x 4 ³ / ₄ " (527 x 622 x 121) |
| Use with Cooktop Hoods | CTWH30, CTWH36, IH4227 |
| Use with Downdrafts | DD30R, DD36R, DD45R |
| Use with Pro Hoods | All Low-Profile Pro Wall Hoods PW302418(R), PW362418(R), PW422418(R), PW482418(R), PW542418(R) PW302718(R), PW362718(R), PW422718(R), PW482718(R), PW542718(R) All Pro Wall Chimney Hoods PI363418(R), PI423418(R), PI543418(R) |
| Use with Pro Hood Liners | All Pro Hood Liners |
| Duct Size | 10" (254) Round |
| Electrical Rating | 5.7 amps at 120 V AC, 60 Hz |
| Shipping Weight | 32 lbs (15 kg) |

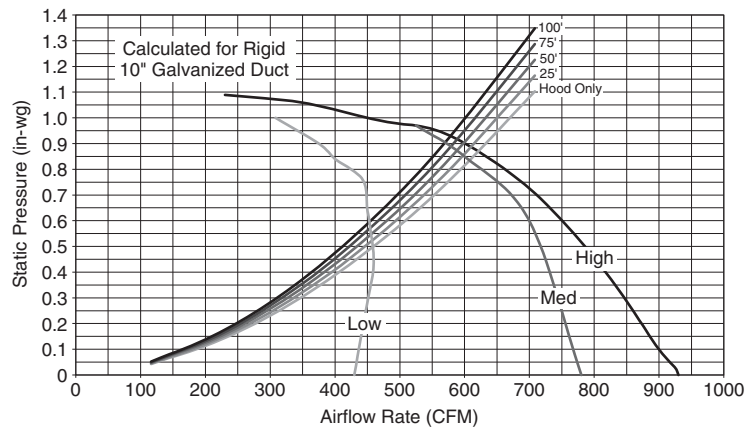
Airflow Rate for 900 CFM Remote Blower (801641) with 30" Downdraft



Airflow Rate for 900 CFM Remote Blower (801641) with 36" Downdraft Hood



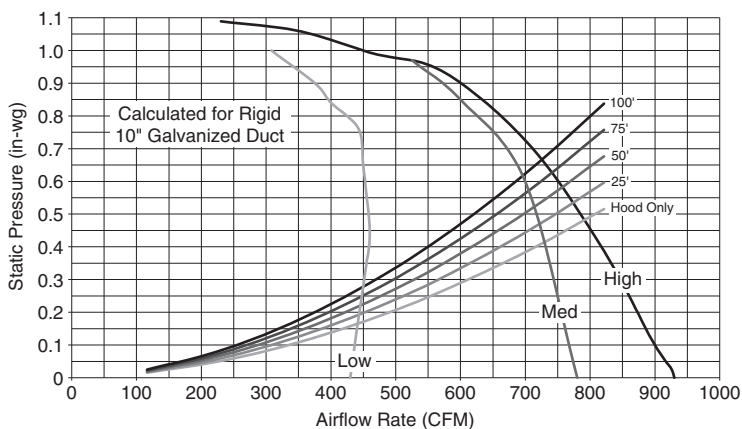
Airflow Rate for 900 CFM Remote Blower (801641) with 30" to 48" Pro Wall Hoods



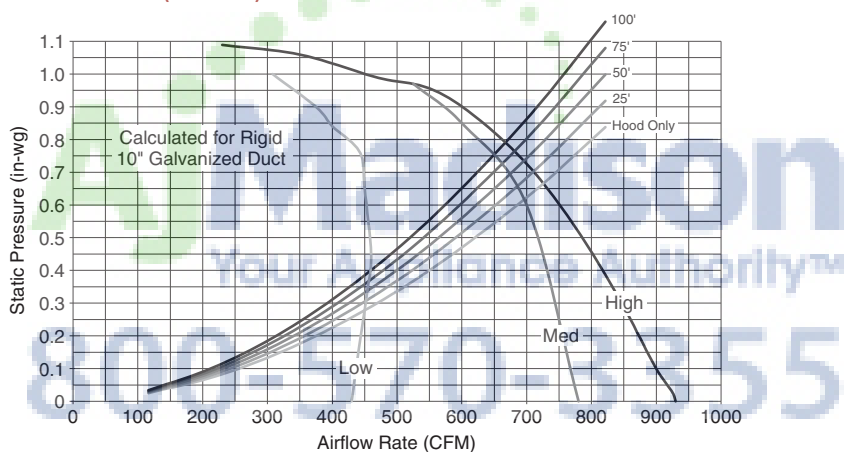
NOTE: Air flow rates for blowers are approximate. A qualified HVAC engineer should make actual system calculations.

REMOTE BLOWERS

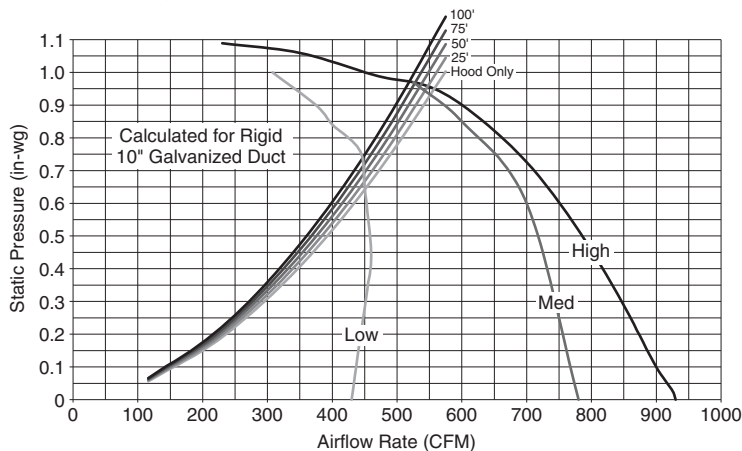
Airflow Rate for 900 CFM Remote Blower (801641) with 48" to 66" Pro Wall Hoods



Airflow Rate for 900 CFM Remote Blower (801641) with 36" to 54" Pro Island Hood



Airflow Rate for 900 CFM Remote Blower (801642) with 34" to 54" Pro Hood Liners



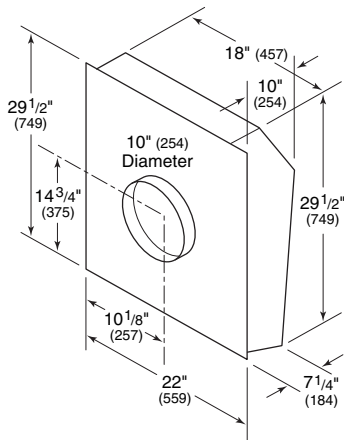
PLANNING INFORMATION

Planning information for remote blowers can be found on pages 73-75.

Dimensions in parentheses are in millimeters unless otherwise specified.

NOTE: Air flow rates for blowers are approximate. A qualified HVAC engineer should make actual system calculations.

REMOTE BLOWERS

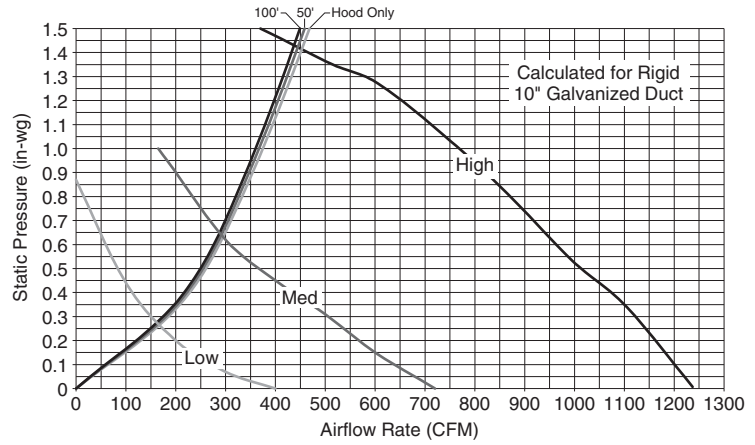


1200 CFM REMOTE BLOWER

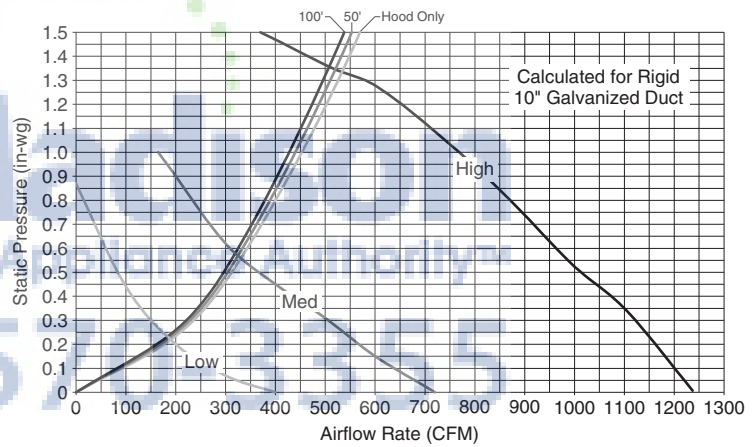
801642

| | |
|---|--|
| Blower Type | Remote |
| Maximum CFM | 1200 |
| Overall Dimensions W x H x D | 18" x 29 1/2" x 10" (457 x 749 x 254) |
| Use with Cooktop Hoods | CTWH30, CTWH36, IH4227 |
| Use with Downdrafts | DD30R, DD36R, DD45R |
| Use with Pro Hoods | All 24" (610) Deep Pro Wall Hoods, All 27" (686) Deep Pro Wall Hoods, All Pro Wall Chimney Hoods All Pro Island Hoods |
| Use with Pro Hood Liners | All Pro Hood Liners |
| Duct Size | 10" (254) Round |
| Electrical Rating | 3.0 amps at 120 V AC, 60 Hz |
| Shipping Weight | 38 lbs (17 kg) |

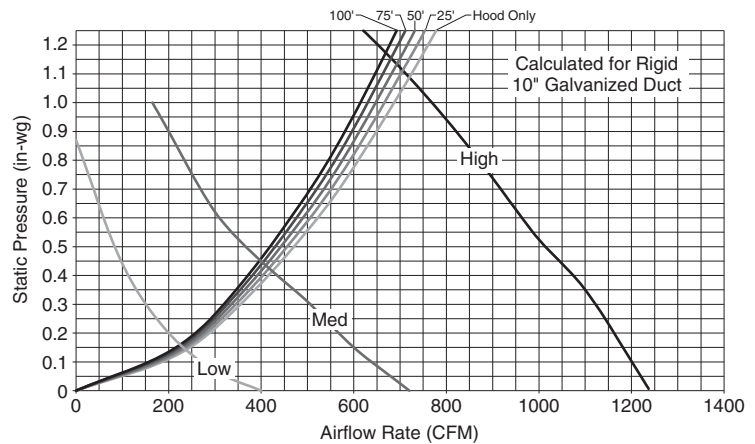
Airflow Rate for 1200 CFM Remote Blower (801642) with 30" Downdraft Hood



Airflow Rate for 1200 CFM Remote Blower (801642) with 36" Downdraft Hood



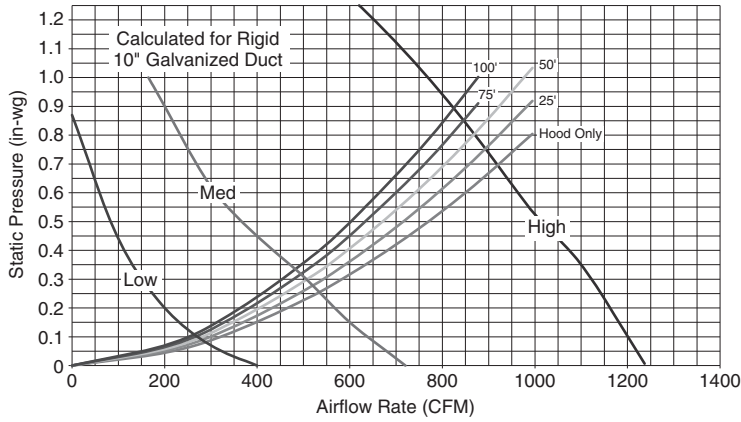
Airflow Rate for 1200 CFM Remote Blower (801642) with 30" to 42" Pro Wall Hoods



NOTE: Air flow rates for blowers are approximate. A qualified HVAC engineer should make actual system calculations.

REMOTE BLOWERS

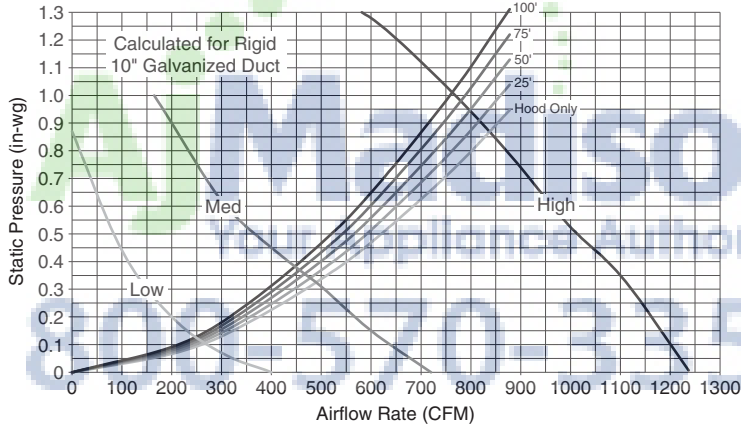
Airflow Rate for 1200 CFM Remote Blower (801642) with 48" to 66" Pro Wall Hoods



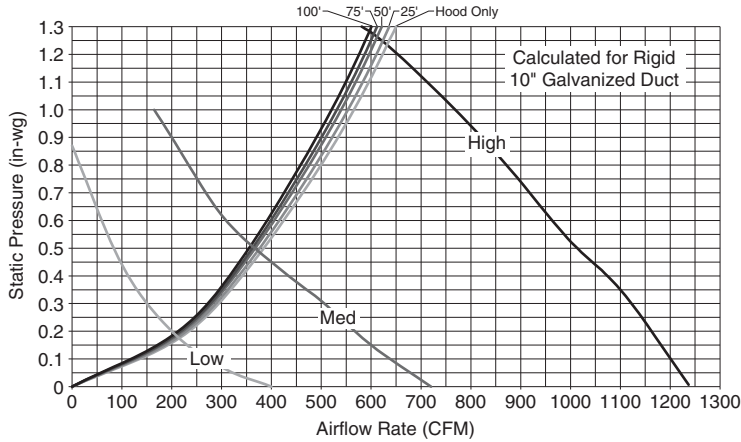
PLANNING INFORMATION

Planning information for remote blowers can be found on pages 73-75.

Airflow Rate for 1200 CFM Remote Blower (801642) with 36" to 66" Pro Island Hoods



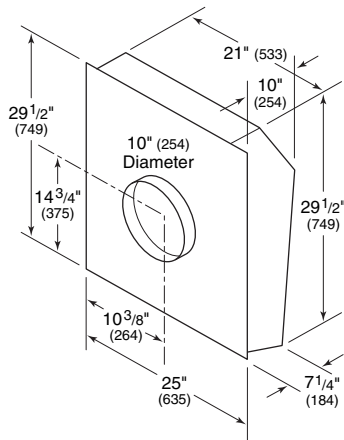
Airflow Rate for 1200 CFM Remote Blower (801642) with 34" to 54" Pro Hood Liners



Dimensions in parentheses are in millimeters unless otherwise specified.

NOTE: Air flow rates for blowers are approximate. A qualified HVAC engineer should make actual system calculations.

REMOTE BLOWERS

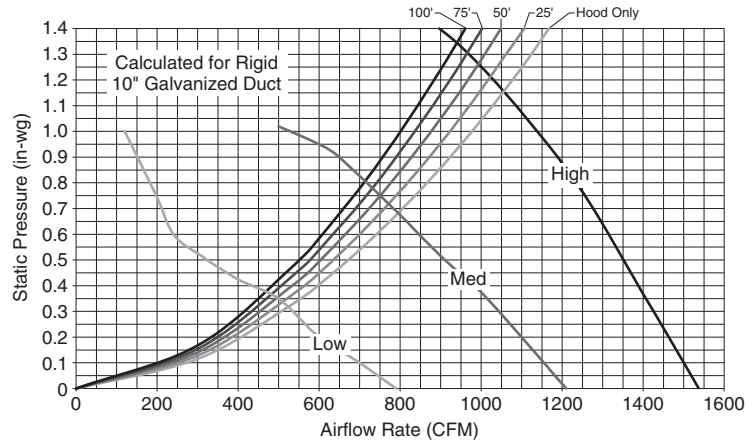


1500 CFM REMOTE BLOWER

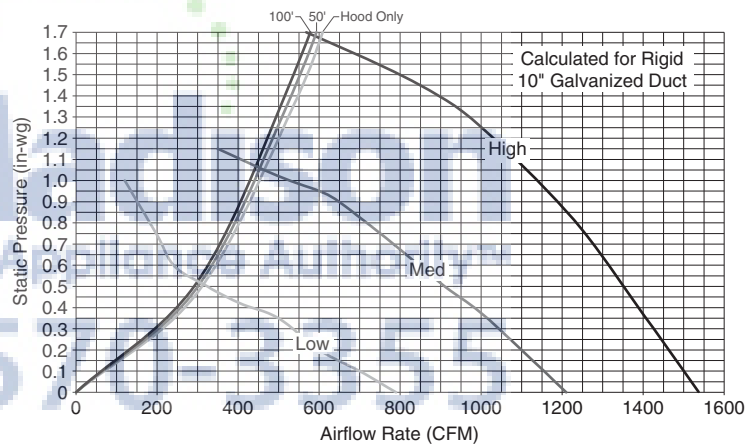
804701

| | |
|---|--|
| Blower Type | Remote |
| Maximum CFM | 1500 |
| Overall Dimensions W x H x D | 21" x 29 1/2" x 10" (533 x 749 x 254) |
| Use with Cooktop Hoods | CTWH30, CTWH36, IH4227 |
| Use with Downdrafts | DD30R, DD36R, DD45R |
| Use with Pro Hoods | All 24" (610) Deep Pro Wall Hoods, All 27" (686) Deep Pro Wall Hoods, All Pro Wall Chimney Hoods All Pro Island Hoods |
| Use with Pro Hood Liners | All Pro Hood Liners |
| Duct Size | 10" (254) Round |
| Electrical Rating | 4.3 amps at 120 V AC, 60 Hz |
| Shipping Weight | 45 lbs (20 kg) |

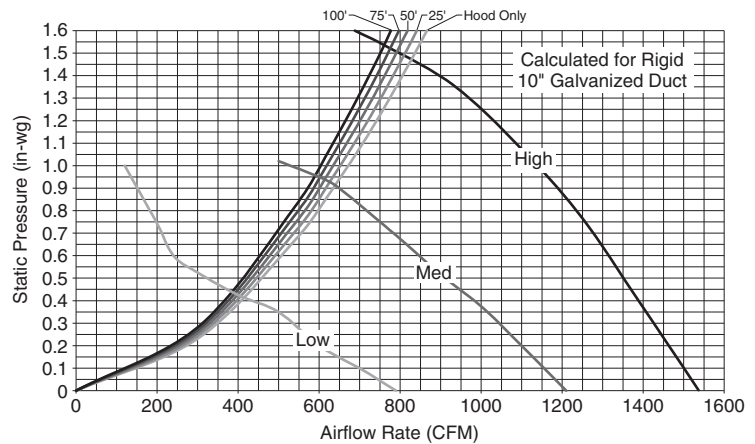
Airflow Rate for 1500 CFM Remote Blower (804701) with Cooktop Hoods



Airflow Rate for 1500 CFM Remote Blower (804701) with 36" Downdraft



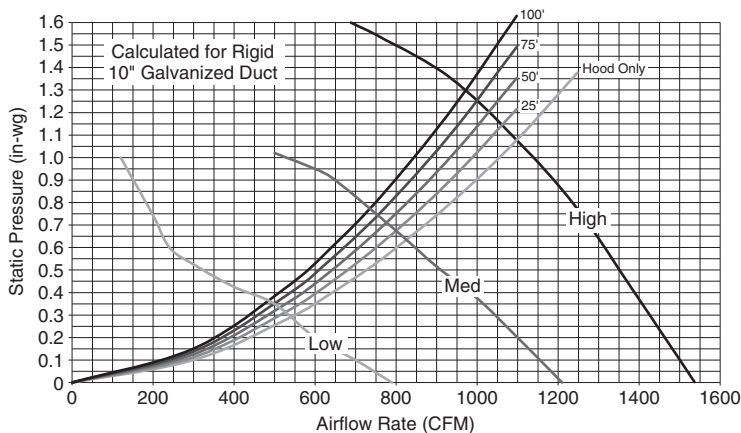
Airflow Rate for 1500 CFM Remote Blower (804701) with 30" to 42" Pro Wall Hoods



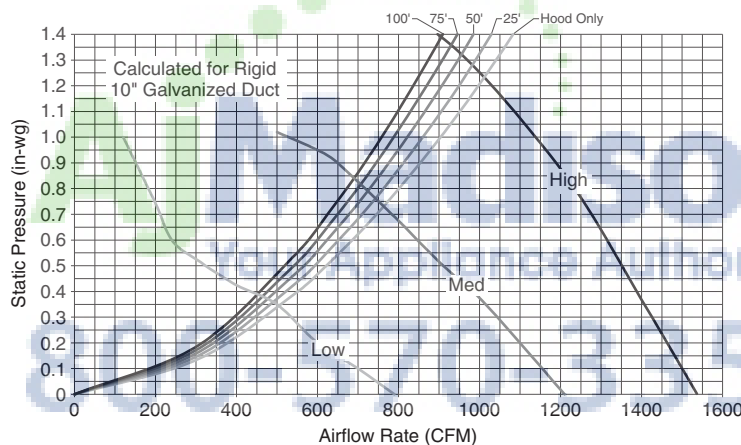
NOTE: Air flow rates for blowers are approximate. A qualified HVAC engineer should make actual system calculations.

REMOTE BLOWERS

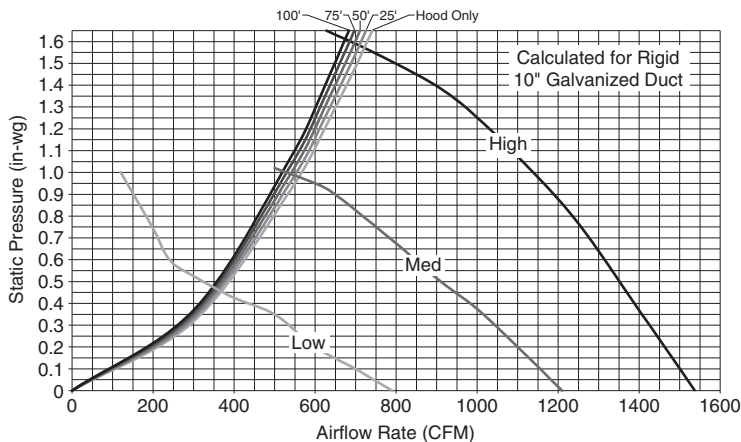
Airflow Rate for 1500 CFM Remote Blower (804701) with 48" to 66" Pro Wall Hoods



Airflow Rate for 1500 CFM Remote Blower (804701) with Pro Island Hoods



Airflow Rate for 1500 CFM Remote Blower (804701) with 34" to 54" Pro Hood Liners



PLANNING INFORMATION

Planning information for remote blowers can be found on pages 73-75.

Dimensions in parentheses are in millimeters unless otherwise specified.

NOTE: Air flow rates for blowers are approximate. A qualified HVAC engineer should make actual system calculations.

IN-LINE BLOWER CONSIDERATIONS

When planning the installation of in-line blower (808331), follow specifications in the illustrations below. Ducting considerations are provided for horizontal or vertical discharge. Choose the mounting option shown in the illustrations below that best suits your installation.

- A)** Mounting brackets in factory-shipped position. Outlet parallel to joists.
- B)** Mounting brackets flipped over and mounted to outlet sides of housing. Outlet parallel to joists.
- C)** Mounting brackets mounted to outlet sides of housing. Outlet perpendicular to joists.

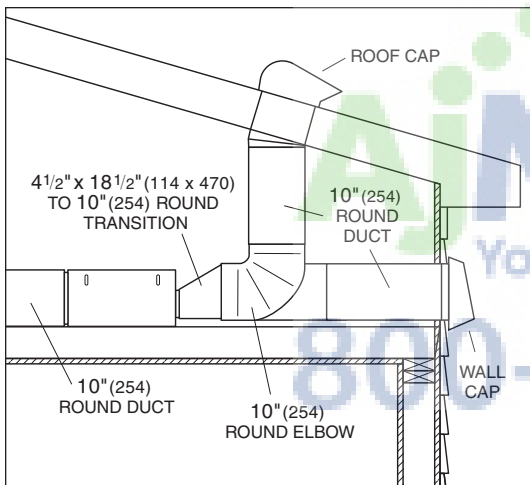
- D)** Mounting brackets flipped over to give approximately 1" (25) more clearance. Outlet parallel to joists.
- E)** Mounting brackets mounted to top of sides of housing. Outlet parallel to joists.
- F)** Mounting brackets flipped over and mounted to top of sides of housing. Outlet parallel to joists.

Installation instructions shipped with each Wolf ventilation product provide detailed specifications. These instructions can also be found on our website, wolfappliance.com.

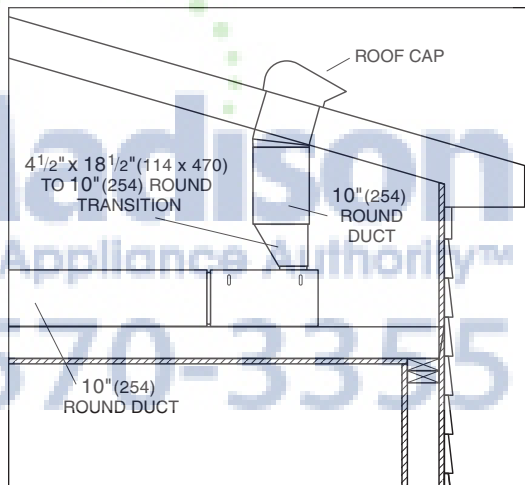
INSTALLATION

Refer to the installation instructions shipped with each Wolf ventilation product for detailed specifications. These instructions can also be found on our website, wolfappliance.com.

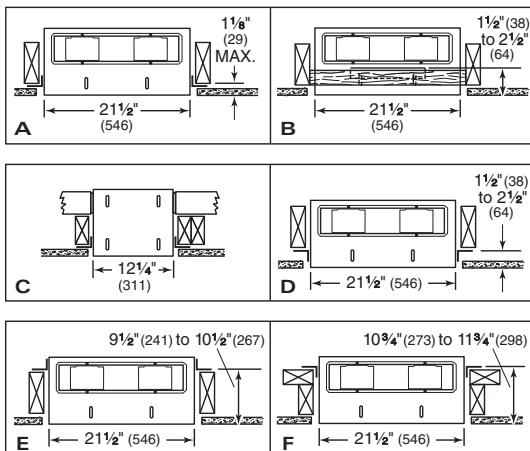
IN-LINE BLOWER 808331



Ducting for horizontal discharge



Ducting for vertical discharge



Mounting options



IN-LINE-BLOWER CONSIDERATIONS

When planning the installation of in-line blower 808332, follow specifications in the illustrations below. Ducting considerations are provided for horizontal or vertical discharge. Choose the mounting option shown in the illustrations below that best suits your installation.

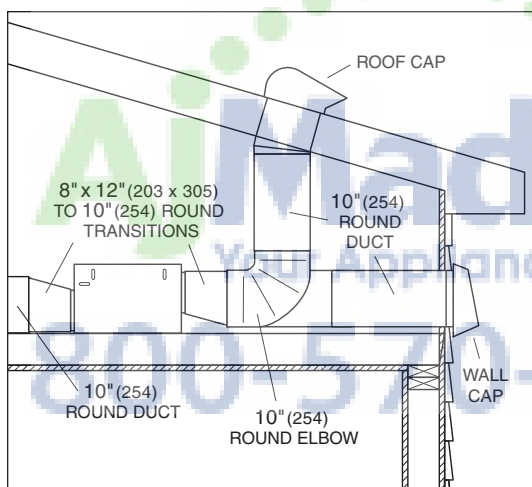
- A)** Mounting brackets in factory-shipped position, mounted directly to joists. Outlet parallel to joists.
- B)** Mounting brackets flipped over and mounted to additional framing. Outlet perpendicular to joists.

C) Mounting brackets flipped over and mounted to additional framing. Outlet vertical.

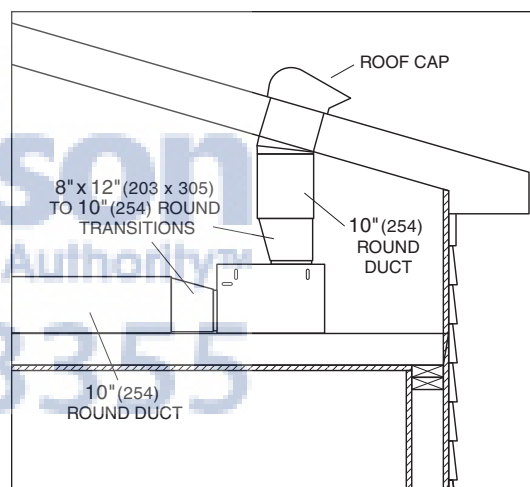
D) Mounting brackets flipped over and mounted to top of housing. Housing secured with cables. Outlet parallel to joists.

Installation instructions shipped with each Wolf ventilation product provide detailed specifications. These instructions can also be found on our website, wolfappliance.com.

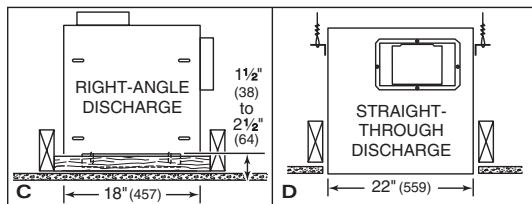
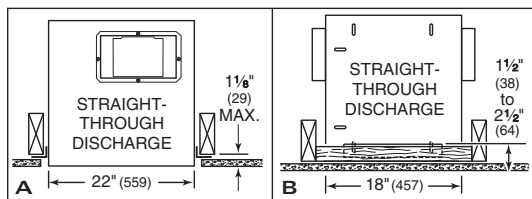
IN-LINE BLOWER 808332



Ducting for horizontal discharge



Ducting for vertical discharge



Mounting options

Dimensions in parentheses are in millimeters unless otherwise specified.

REMOTE BLOWER CONSIDERATIONS

When planning the installation of the 600 CFM (801640) or 900 CFM (801641) remote blowers, follow specifications in the illustrations below. Cut-out dimensions are provided for installation of the blower on the roof or an exterior wall. If the remote blower is to be installed on a flat roof, a curb will have to be constructed for a proper fit. Refer to the illustration below.

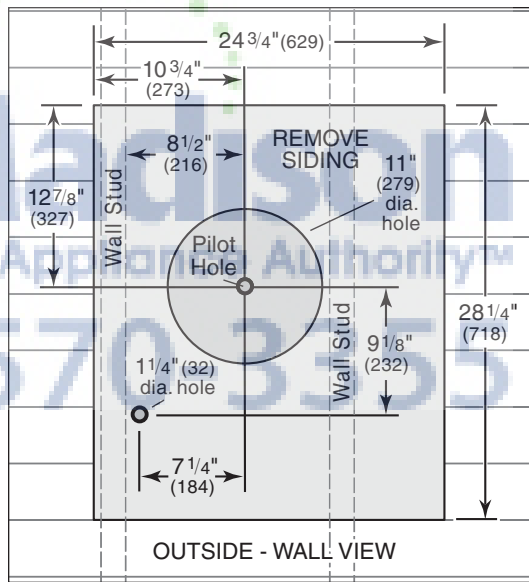
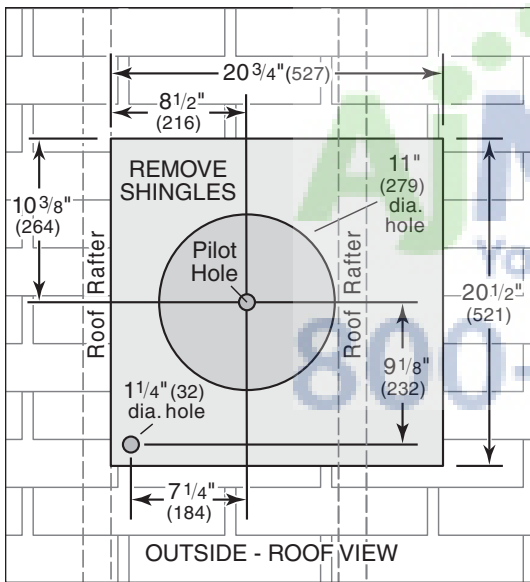
Installation instructions shipped with each Wolf ventilation product provide detailed specifications. These instructions can also be found on our website, wolfappliance.com.



INSTALLATION

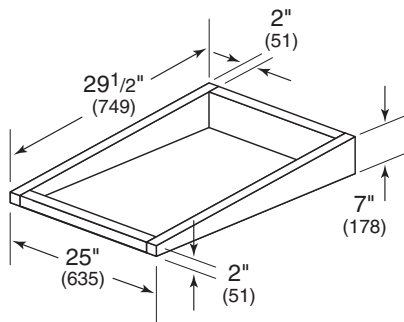
Refer to the installation instructions shipped with each Wolf ventilation product for detailed specifications. These instructions can also be found on our website, wolfappliance.com.

REMOTE BLOWER 801640 OR 801641



Roof mount preparation

Wall mount preparation



Curb for flat roof installation

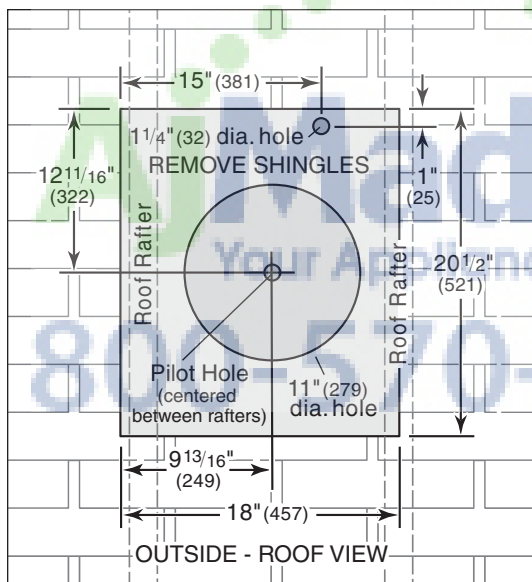


REMOTE BLOWER CONSIDERATIONS

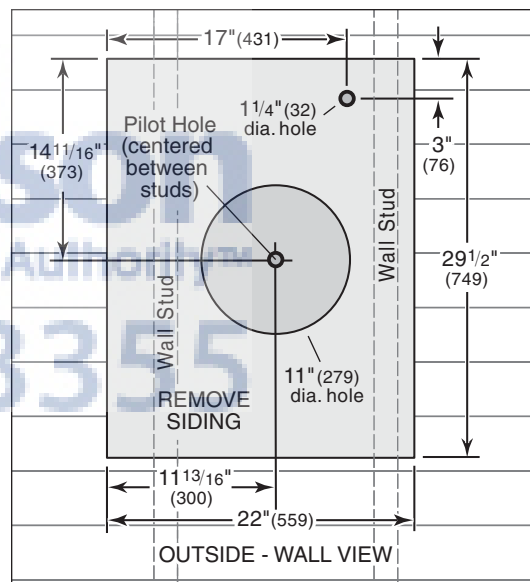
When planning the installation of the 1200 CFM (801642) remote blower, follow specifications in the illustrations below. Cut-out dimensions are provided for installation on the roof or an exterior wall. If the remote blower is to be installed on a flat roof, a curb will have to be constructed for a proper fit. Refer to the illustration below.

Installation instructions shipped with each Wolf ventilation product provide detailed specifications. These instructions can also be found on our website, wolfappliance.com.

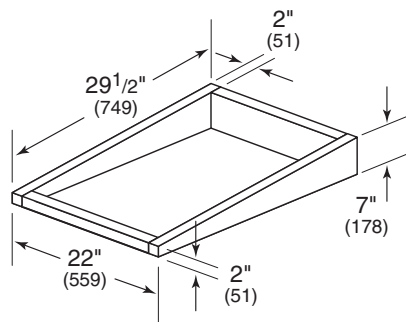
REMOTE BLOWER 801642



Roof mount preparation



Wall mount preparation



Curb for flat roof installation

Dimensions in parentheses are in millimeters unless otherwise specified.

REMOTE BLOWER CONSIDERATIONS

When planning the installation of the 1500 CFM (804701) remote blower, follow specifications in the illustrations below. Cut-out dimensions are provided for installation of the blower on the roof or an exterior wall. If the remote blower is to be installed on a flat roof, a curb will have to be constructed for a proper fit. Refer to the illustration below.

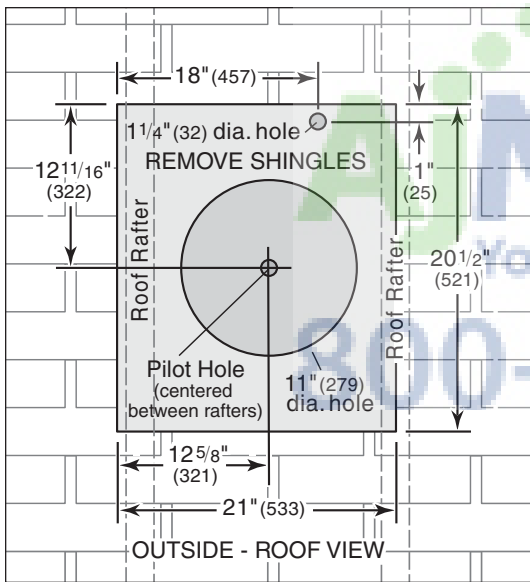
Installation instructions shipped with each Wolf ventilation product provide detailed specifications. These instructions can also be found on our website, wolfappliance.com.



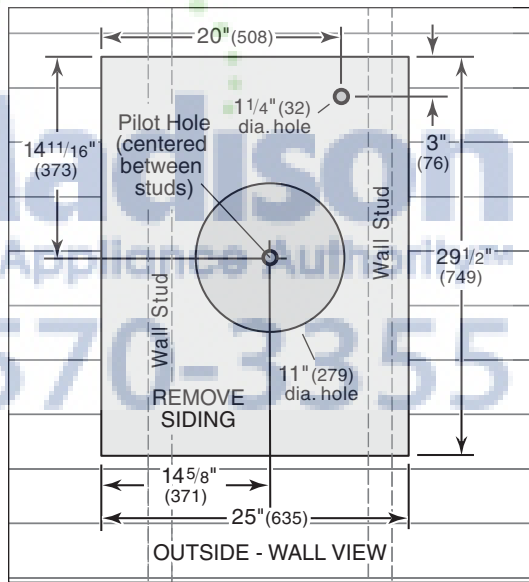
INSTALLATION

Refer to the installation instructions shipped with each Wolf ventilation product for detailed specifications. These instructions can also be found on our website, wolfappliance.com.

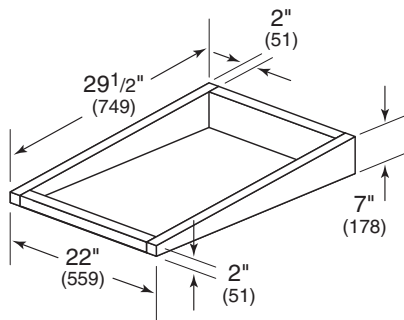
REMOTE BLOWER 804701



Roof mount preparation



Wall mount preparation



Curb for flat roof installation

WOLF APPLIANCE PRODUCTS LIMITED WARRANTY

RESIDENTIAL USE ONLY

FULL TWO YEAR WARRANTY*

For two years from the date of original installation, your Wolf Appliance product warranty covers all parts and labor to repair or replace any part of the product that proves to be defective in materials or workmanship. All service provided by Wolf Appliance under the above warranty must be performed by a Wolf Appliance authorized service center, unless otherwise specified by Wolf Appliance. Service will be provided in the home during normal business hours.

LIMITED THIRD THROUGH FIFTH YEAR WARRANTY

From the third through fifth year from the date of original installation, Wolf Appliance will repair or replace the following parts that prove to be defective in materials or workmanship. Labor to remove and replace defective parts is not covered. Wolf Appliance recommends that you use a Wolf Appliance authorized service center to perform such service.

Gas Burners (excluding appearance), Electric Heating Elements, Blower Motors (vent hoods),
Electronic Control Boards, Magnetron Tubes and Induction Generators

TERMS APPLICABLE TO EACH WARRANTY

The warranty applies only to products installed for normal residential use. The warranty applies only to products installed in any one of the fifty states of the United States, the District of Columbia or the ten provinces of Canada. This warranty does not cover any parts or labor to correct any defect caused by negligence, accident or improper use, maintenance, installation, service or repair.

THE REMEDIES DESCRIBED ABOVE FOR EACH WARRANTY ARE THE ONLY ONES THAT WOLF APPLIANCE, INC. WILL PROVIDE, EITHER UNDER THIS WARRANTY OR UNDER ANY WARRANTY ARISING BY OPERATION OF LAW. WOLF APPLIANCE, INC. WILL NOT BE RESPONSIBLE FOR ANY CONSEQUENTIAL OR INCIDENTAL DAMAGES ARISING FROM THE BREACH OF THIS WARRANTY OR ANY OTHER WARRANTY, WHETHER EXPRESS, IMPLIED OR STATUTORY.

Some states do not allow the exclusion or limitation of incidental or consequential damages, so the above limitation or exclusion may not apply to you. This warranty gives you specific legal rights and you may also have other legal rights that vary from state to state.

To receive parts and/or service and the name of the Wolf Appliance authorized service center nearest you, contact Wolf Appliance, Inc., P.O. Box 44848, Madison, Wisconsin 53744; check the Contact & Support section of our website, wolfappliance.com, or call 800-332-9513.

* Stainless Steel (classic, platinum and carbon) doors, panels and product frames are covered by a limited 60 day parts and labor warranty for cosmetic defects.



WOLF APPLIANCE OUTDOOR PRODUCTS LIMITED WARRANTY

RESIDENTIAL USE ONLY

FULL TWO YEAR WARRANTY* OUTDOOR GAS GRILLS ONLY

For two years from the date of original installation, your Wolf Appliance product warranty covers all parts and labor to repair or replace any part of the product that proves to be defective in materials or workmanship. All service provided by Wolf Appliance under the above warranty must be performed by a Wolf Appliance authorized service center, unless otherwise specified by Wolf Appliance. Service will be provided in the home during normal business hours.

FULL ONE YEAR WARRANTY*

For one year from the date of original installation, your Wolf Appliance product warranty covers all parts and labor to repair or replace any part of the product that proves to be defective in materials or workmanship. All service provided by Wolf Appliance under the above warranty must be performed by a Wolf Appliance authorized service center, unless otherwise specified by Wolf Appliance. Service will be provided in the home during normal business hours.

LIMITED LIFETIME WARRANTY

For the life of the product, Wolf Appliance will repair or replace any outdoor gas grill body or hood that rusts through due to defective material or workmanship. Labor to remove and replace defective parts is not covered. Wolf Appliance recommends that you use a Wolf Appliance authorized service center to perform such service.

TERMS APPLICABLE TO EACH WARRANTY

The warranty applies only to products installed for normal residential use. The warranty applies only to products installed in any one of the fifty states of the United States, the District of Columbia or the ten provinces of Canada. This warranty does not cover any parts or labor to correct any defect caused by negligence, accident or improper use, maintenance, installation, service or repair.

THE REMEDIES DESCRIBED ABOVE FOR EACH WARRANTY ARE THE ONLY ONES THAT WOLF APPLIANCE, INC. WILL PROVIDE, EITHER UNDER THIS WARRANTY OR UNDER ANY WARRANTY ARISING BY OPERATION OF LAW. WOLF APPLIANCE, INC. WILL NOT BE RESPONSIBLE FOR ANY CONSEQUENTIAL OR INCIDENTAL DAMAGES ARISING FROM THE BREACH OF THIS WARRANTY OR ANY OTHER WARRANTY, WHETHER EXPRESS, IMPLIED OR STATUTORY.

Some states do not allow the exclusion or limitation of incidental or consequential damages, so the above limitation or exclusion may not apply to you. This warranty gives you specific legal rights and you may also have other legal rights that vary from state to state.

To receive parts and/or service and the name of the Wolf Appliance authorized service center nearest you, contact Wolf Appliance, Inc., P.O. Box 44848, Madison, Wisconsin 53744; check the Contact & Support section of our website, wolfappliance.com, or call 800-332-9513.

* Stainless Steel (classic, platinum and carbon) doors, panels and product frames are covered by a limited 60 day parts and labor warranty for cosmetic defects.





WOLF APPLIANCE, INC. P.O. BOX 44848 MADISON, WI 53744 800-332-9513 WOLFAPPLIANCE.COM


Aj Madison
Your Appliance Authority™
800-570-3355

**WOLF**®