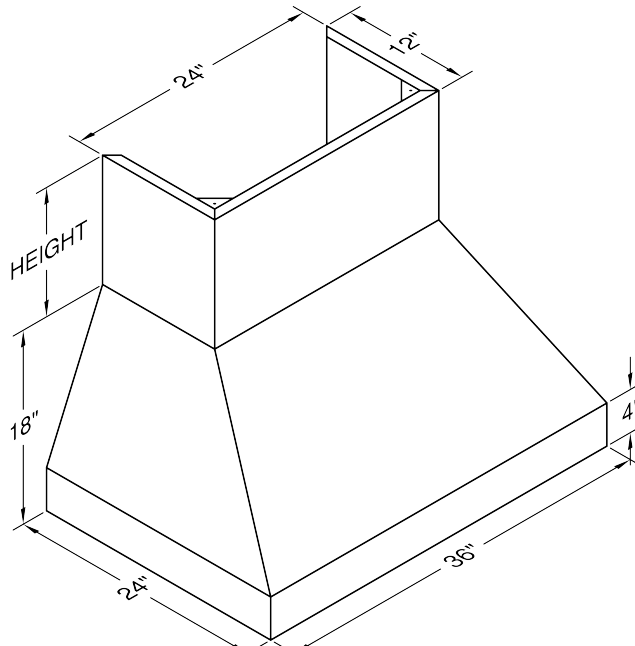


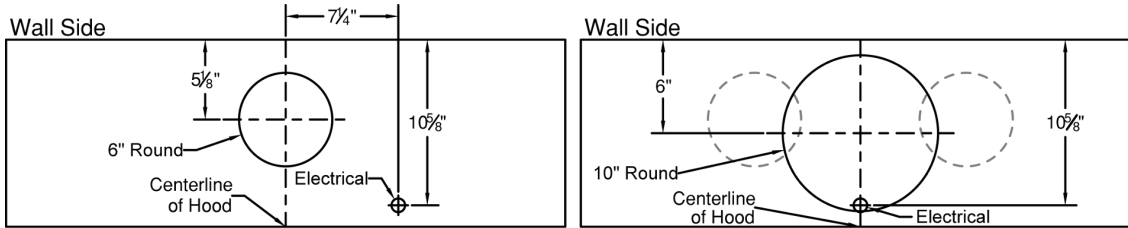
## Model Number: EPH18-M36

Special Notes: LED GU10 lighting. Shown with optional duct cover (sold separately). Optional duct covers are available in standard sizes for 8', 9', and 10' ceilings. M600 and M1200 blowers are sold separately. Features stainless steel baffle filters.

<b>WIDTH:</b>	36"
<b>DEPTH:</b>	24"
<b>HEIGHT:</b>	18"
<b>CFM:</b>	See Chart
<b>SONES:</b>	N/A
<b>AMPS:</b>	See Chart
<b># LIGHTS:</b>	2

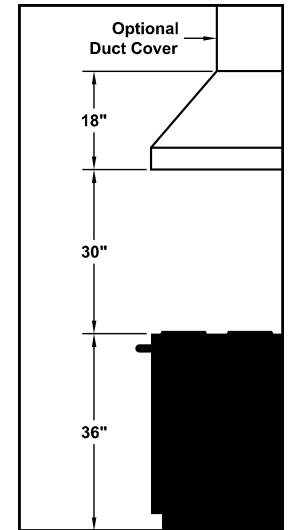


**CONNECTION DIAGRAM**



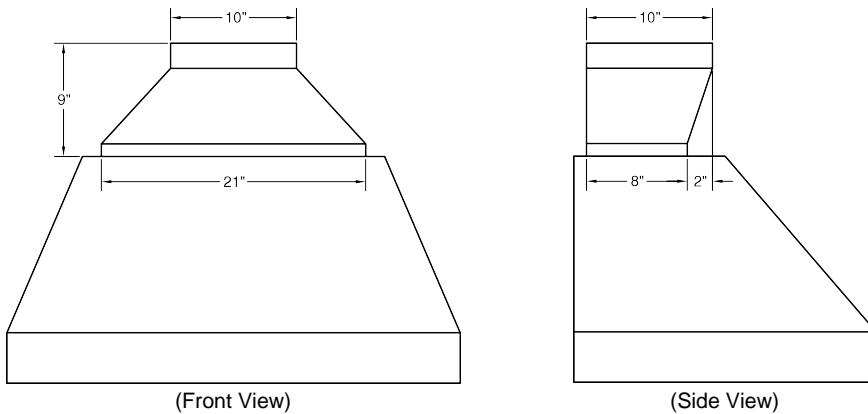
M600 & M1200 Connection Diagrams

**REC. MOUNTING HEIGHT\***



\* Exceeding recommended mounting height may compromise performance.

### VP566 Transition Details (Included with M1200)



(Front View)

(Side View)

**(CHART B)**

SPEED	CFM @ 0.1" S.P.		
	M600	WHM300 *	M1200
1	240	240	420
2	300	300	645
3	500	-	865
4	625	-	1015

\* The WHM300 is a wiring harness that when used with the M600 blower (sold separately) will disable blower speeds exceeding 300 CFM.

**(CHART A) ELECTRICAL/MECHANICAL SPECIFICATIONS FOR BLOWER UNIT**

MODEL	VOLTS	AMPS+	HZ	CFM SP@0.0"	CFM SP@0.1"	CFM SP@0.25"	CFM SP@0.5"	CFM SP@0.75"	MIN. ROUND DUCT SIZE
M600 Single	115	5.0	60	630	625	615	600	580	6" (28in. <sup>^2</sup> )
M600 w/WHM300 Harness	115	5.0	60	302	300	295	288	278	6" (28in. <sup>^2</sup> )
M1200 Dual	115	10.0	60	1035	1015	1000	995	915	10" (79in. <sup>^2</sup> )

+Add 0.5 amp for each halogen light. Hoods are available with halogen lights (2 lights: 30" - 41", 3 lights: 42" - 53", 4 lights: 54" - 66").