

# Velvet

# Integrated Collection

sleek undercabinet glass slide out hood

- glass & stainless slideout rangehood
- slim styling
- microswitch turns motor/lights on when pulled out
- closes flush with cabinets
- easily replaces existing hoods
- 600 cfm PRO motor
- 2 halogen lights + dimmer light
- 4 speed electronic controls
- intensive boost mode
- perimetric suction system
- silent kit sound reduction
- dishwasher safe grease filters
- top or direct rear venting
- convertible to recirculating
- grease filter alarm
- built-in mounting system
- sone range: 3.5 - 6.5
- 6" round duct



**FABER**  
ON AIR. SINCE 1955

For a streamlined look in the kitchen, the Glass and Stainless Steel Velvet is your high end integrated solution. The Velvet has a sleek glass pull-out visor which slides in, flush with your cabinets, neatly tucking the hood away. The rangehood turns on and off automatically when the visor is pulled in and out.



## Size/Color/Model #

30 Glass & Stainless VELV30SS

36 Glass & Stainless VELV36SS



LED Electronic touch controls

## Charcoal Filters FILTER1

For recirculating installations, high quality, heavy duty filters ensure the removal of smoke and odors from the kitchen. Some ductwork is required to exhaust the unit out of the cabinet.

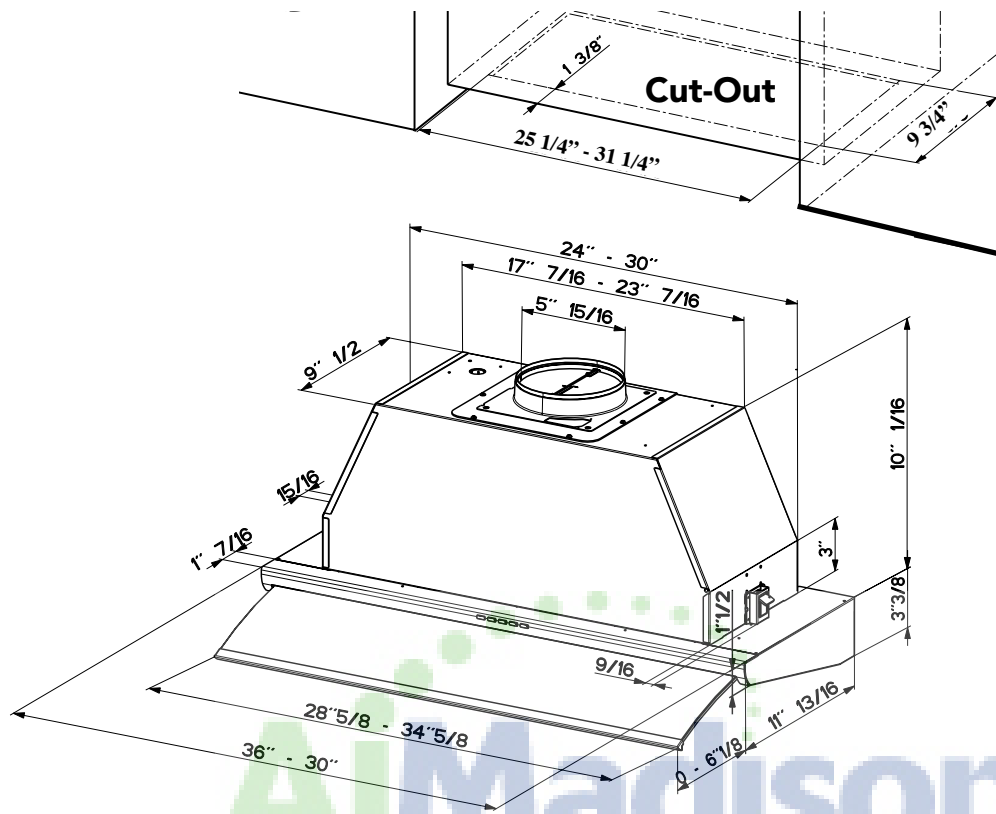


## CFM Reducer Kit CFMRED

For use in make up air environments where an under 300 cfm hood is required. This kit reduces the ducting to 5" round and reduces the cfm to under 300



## Dimensional Diagrams



**Pre-Planning Your Installation** - Important: Consult the installation instructions before you begin installing this rangehood. The recommended height to install this hood off the cooktop is a minimum of 24" and a maximum of 30" for maximum effectiveness. Also consult the cooktop manufacturer's recommendation.

**Pre-Planning Your Ductwork** - Important: Consult the installation instructions before you begin installing this rangehood.

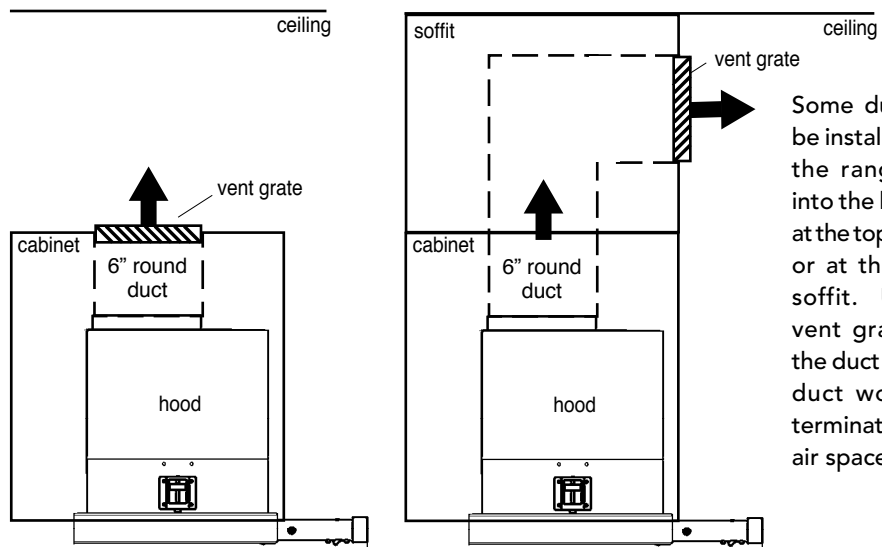
Make your ductrun as straight and short as possible. The ductrun should not exceed 35 equivalent feet if ducted with the required minimum of 6" round duct. Count 45° angles as 3 feet, 90° elbows as 5 feet, and 90° flat elbows as 12 feet.

**For best results, use no more than three 90° elbows. Make sure that there is a minimum of 24" of straight duct between elbows if more than one is used. Do not install two elbows together. If you must elbow right away, do it as far away from the hood's exhaust opening as possible.**

For more efficient airflow when venting to the rear: Rotate the Cristal HC blower housing so that the 6" round exhaust outlet faces the back, rather than running ductwork up and elbowing back.

### Recirculating Installations

For installations where ductwork to the outside of your home is impossible or highly impractical Charcoal Filters, which attach to the blower assembly, absorb smoke and odors.



Some ductwork must be installed to exhaust the rangehood back into the kitchen, either at the top of the cabinet or at the face of the soffit. Use a plastic vent grate to cover the duct opening. This duct work must not terminate into a dead air space.

**WARNING!** Product specifications are subject to change without notification. Consult the installation instructions before you begin installing this rangehood.