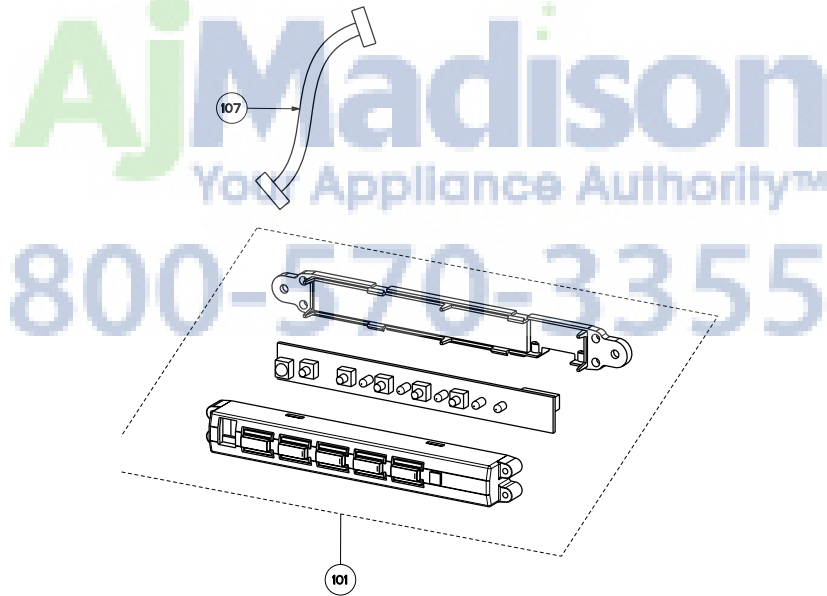
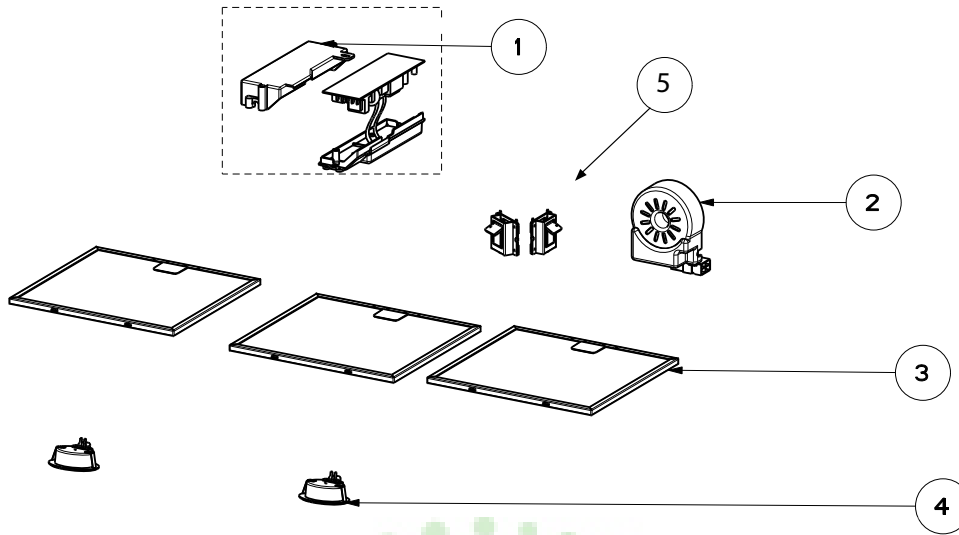


VELVET

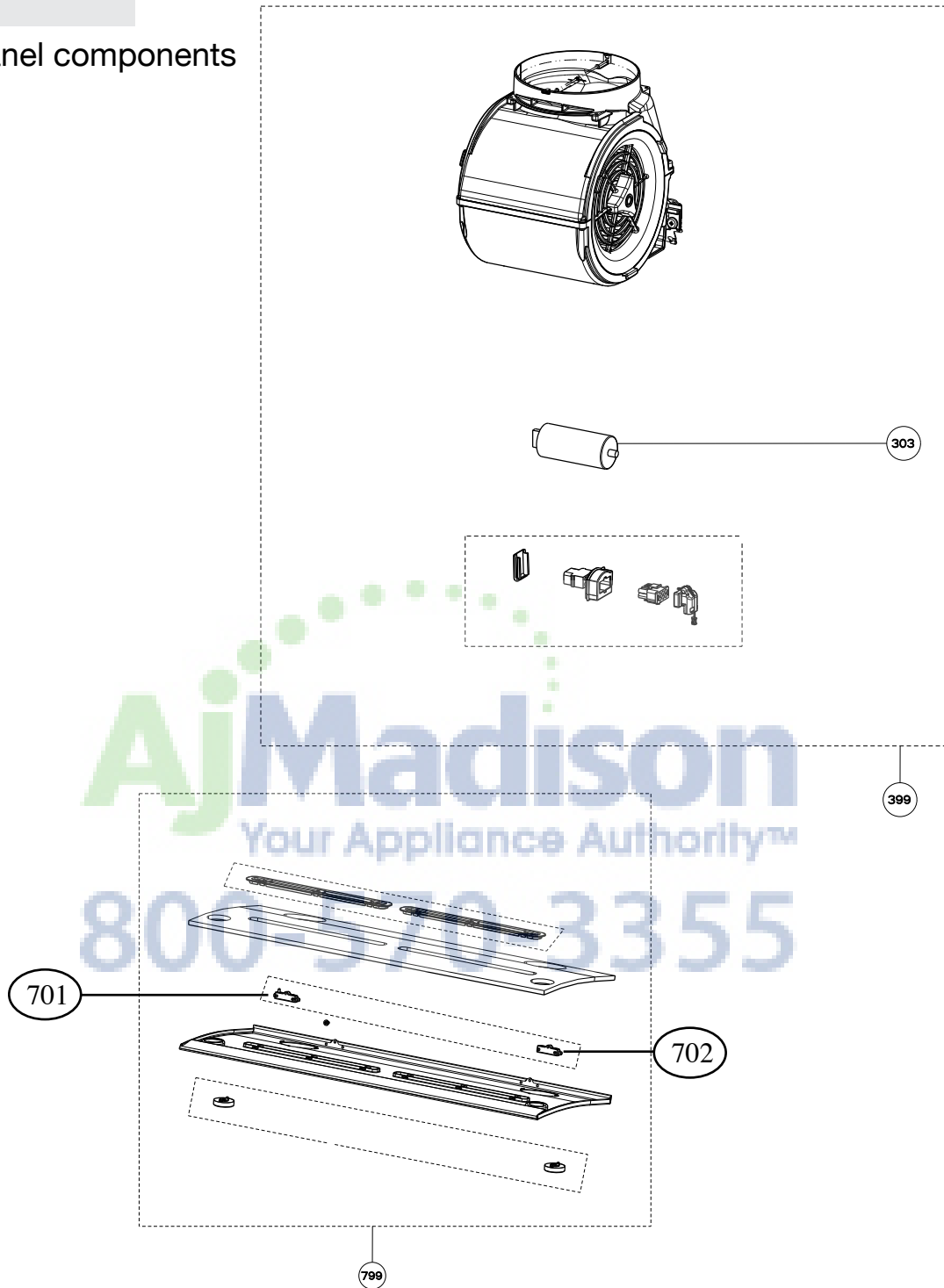
body / switch components



	Model Number	VELV30SS / 630006508	VELV36SS / 630006509	
1	Control Board	133.0056.059	133.0056.059	1
2	Transformer	133.0052.516	133.0052.516	1
3	Grease Filters	133.0056.290	133.0056.291	30 = 2, 36 = 3
4	Halogen Lamp Kit	133.0052.793	133.0052.793	2
4	Halogen Lamp (bulb only)	133.0000.001	133.0000.001	2
5	Hinge Clips Kit	133.0078.993	133.0078.993	1
101	Switchboard Kit	133.0018.523	133.0018.523	1
107	Cable connector	133.0016.846	133.0016.846	1

VELVET

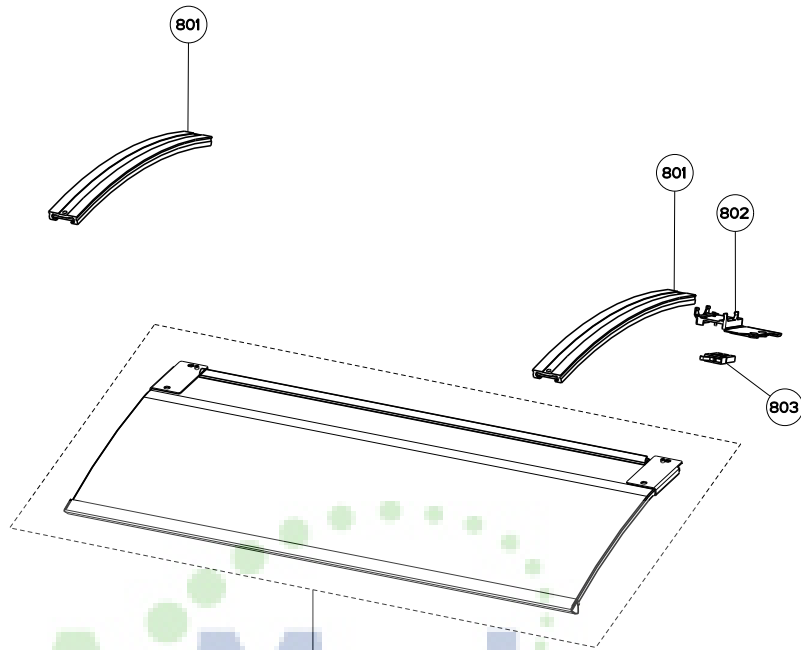
motor / panel components



	Model Number	VELV30SS / 630006508	VELV36SS / 630006509	
Key	Description	30	36	Qty Req.
303	Capacitor	133.0056.183	133.0056.183	1
399	Motor Group	133.0056.182	133.0056.182	1
701	Hinge Pin Left	133.0017.597	133.0017.597	1
702	Hinge Pin Right	133.0057.285	133.0057.285	1
799	Silent Kit Panel	133.0056.376	133.0056.377	1

VELVET

visor components





 Your Appliance Authority™

 800-570-3355

	Model Number	VELV30SS / 630006508	VELV36SS / 630006509	
Key	Description	30	36	Qty Req.
801	Slider Guide Kit (2 in kit)	133.0056.501	133.0056.501	1
802	Microswitch Box	133.0017.651	133.0017.651	1
803	Microswitch	133.0036.581	133.0036.581	1
807	Glass slide out panel kit	133.0056.462	133.0056.463	1