



# Downdraft Vent System

Safety Instructions..... 2

Warranty ..... 4

Assistance / Accessories ..... 5

Using the Vent System  
Downdraft Vent System ..... 6

Care and Cleaning  
Downdraft Vent System ..... 7

Installation Instructions..... 8

Troubleshooting Tips ..... 20

**Owner's Manual and  
Installation Instructions**

UVB30  
UVB36

Write the model and serial numbers here:

Model # \_\_\_\_\_

Serial # \_\_\_\_\_

These numbers are on the Consumer Product Ownership Registration Card packed separately with your downdraft vent system and on a label on the front panel of the unit.

***Español***

*For a Spanish version of this manual, visit our Website at [GEAppliances.com](http://GEAppliances.com).*

*Para consultar una versión en español de este manual de instrucciones, visite nuestro sitio de internet [GEAppliances.com](http://GEAppliances.com).*

# IMPORTANT SAFETY INFORMATION. READ ALL INSTRUCTIONS BEFORE USING.

**!** This is the safety alert symbol. This symbol alerts you to potential hazards that can kill or hurt you and others. All safety messages will follow the safety alert symbol and the word “DANGER”, “WARNING”, or “CAUTION”. These words are defined as:

**! DANGER** Indicates a hazardous situation which, if not avoided, **will** result in death or serious injury.

**! WARNING** Indicates a hazardous situation which, if not avoided, **could** result in death or serious injury.

**! CAUTION** Indicates a hazardous situation which, if not avoided, **could** result in minor or moderate injury.

## SAFETY PRECAUTIONS

**! WARNING** **TO REDUCE THE RISK OF FIRE, ELECTRIC SHOCK OR INJURY TO PERSONS, OBSERVE THE FOLLOWING:**

- A. Use this unit only in the manner intended by the manufacturer. If you have questions, contact the manufacturer.
- B. Before servicing or cleaning unit, switch power off at service panel and lock the service disconnecting means to prevent power from being switched on accidentally. When the service disconnecting means cannot be locked, securely fasten a prominent warning device, such as a tag, to the service panel.
- C. Do not use this unit with any solid-state speed control device.
- D. Plug your vent system into a 120-volt grounded outlet only. Do not remove the round grounding prong from the plug. If in doubt about the grounding of the home electrical system, it is your responsibility and obligation to have an ungrounded outlet replaced with a properly grounded, three prong outlet in accordance with the National Electrical Code. Do not use an extension cord with this appliance.

**! CAUTION** **FOR GENERAL VENTILATING USE ONLY. DO NOT USE TO EXHAUST HAZARDOUS OR EXPLOSIVE MATERIALS AND VAPORS.**

**! WARNING** **TO REDUCE THE RISK OF INJURY TO PERSONS IN THE EVENT OF A RANGE TOP GREASE FIRE, OBSERVE THE FOLLOWING\*:**

- A. SMOTHER FLAMES with a close-fitting lid, cookie sheet or metal tray, then turn off the burner. BE CAREFUL TO PREVENT BURNS. If the flames do not go out immediately, EVACUATE AND CALL THE FIRE DEPARTMENT.
- B. NEVER PICK UP A FLAMING PAN— You may be burned.
- C. DO NOT USE WATER, including wet dishcloths or towels—a violent steam explosion will result.
- D. Use an extinguisher ONLY if:
  1. You know you have a Class ABC extinguisher, and you already know how to operate it.
  2. The fire is small and contained in the area where it started.
  3. The fire department is being called.
  4. You can fight the fire with your back to an exit.

\*Based on “Kitchen Fire Safety” published by NFPA.

## READ AND SAVE THESE INSTRUCTIONS

---

## SAFETY PRECAUTIONS

---

**⚠ WARNING** TO REDUCE THE RISK OF A  
**RANGE TOP GREASE FIRE:**

- A. Never leave surface units unattended at high settings. Boilovers cause smoking and greasy spillovers that may ignite. Heat oils slowly on low or medium settings.
- B. Always turn vent system ON when cooking at high heat or when flambéing food (i.e., Crepes Suzette, Cherries Jubilee, Peppercorn Beef Flambé).
- C. Clean ventilating fans frequently. Grease should not be allowed to accumulate on fan or filter.
- D. Use proper pan size. Always use cookware appropriate for the size of the surface element.

### If You Need Service...

Do not attempt to repair or replace any part of the vent system unless it is specifically recommended in this manual. All other servicing should be referred to a qualified technician.

Be sure electrical power is off before servicing the unit. It may be necessary to remove the vent system blower system in order to service components such as the blower motor or air vent mechanism.

Disconnect power to the cooktop and remove it first. Reverse the steps in the Install Downdraft Vent section in the Installation Instructions to remove the blower.

Service parts are available from a GE Service and Parts Center.

Make sure all fingers are away from the top of the vent system when it is lowered.

**READ AND SAVE THESE INSTRUCTIONS**

# Thank You! ... for your purchase of a GE Brand appliance.

**Register Your Appliance:** Register your new appliance on-line at your convenience!

[www.geappliances.com/service\\_and\\_support/register/](http://www.geappliances.com/service_and_support/register/)

Timely product registration will allow for enhanced communication and prompt service under the terms of your warranty, should the need arise. You may also mail in the pre-printed registration card included in the packing material.

## GE Warranty

GEAppliances.com

All warranty service is provided by our Factory Service Centers, or an authorized Customer Care® technician. To schedule service, on-line, visit us at [www.geappliances.com/service\\_and\\_support/](http://www.geappliances.com/service_and_support/), or call 800.GE.CARES (800.432.2737). Please have serial number and model number available when calling for service.

Servicing your appliance may require the use of the onboard data port for diagnostics. This gives a GE factory service technician the ability to quickly diagnose any issues with your appliance and helps GE improve its products by providing GE with information on your appliance. If you do not want your appliance data to be sent to GE, please advise your technician not to submit the data to GE at the time of service.

For the period of one year from the date of the original purchase, GE will provide any part of the vent system which fails due to a defect in materials or workmanship. During this limited one-year warranty, GE will also provide, free of charge, all labor and in-home service to replace the defective part.

### What GE will not cover:

- Service trips to your home to teach you how to use the product.
- Improper installation, delivery or maintenance.
- Failure of the product if it is abused, misused, modified or used for other than the intended purpose or used commercially.
- Replacement of house fuses or resetting of circuit breakers.
- Damage to the product caused by accident, fire, floods or acts of God.
- Incidental or consequential damage caused by possible defects with this appliance.
- Damage caused after delivery.
- Product not accessible to provide required service.
- Service to repair or replace light bulbs, except for LED lamps.

### EXCLUSION OF IMPLIED WARRANTIES

Your sole and exclusive remedy is product repair as provided in this Limited Warranty. Any implied warranties, including the implied warranties of merchantability or fitness for a particular purpose, are limited to one year or the shortest period allowed by law.

This warranty is extended to the original purchaser and any succeeding owner for products purchased for home use within the USA. If the product is located in an area where service by a GE Authorized Servicer is not available, you may be responsible for a trip charge or you may be required to bring the product to an Authorized GE Service location for service. In Alaska, the warranty excludes the cost of shipping or service calls to your home.

Some states do not allow the exclusion or limitation of incidental or consequential damages. This warranty gives you specific legal rights, and you may also have other rights which vary from state to state. To know what your legal rights are, consult your local or state consumer affairs office or your state's Attorney General.

Warrantor: General Electric Company. Louisville, KY 40225

**Extended Warranties:** Purchase a GE extended warranty and learn about special discounts that are available while your warranty is still in effect. You can purchase it on-line anytime

[www.geappliances.com/service\\_and\\_support/shop-for-extended-service-plans.htm](http://www.geappliances.com/service_and_support/shop-for-extended-service-plans.htm)

or call 800.626.2224 during normal business hours. GE Consumer Home Services will still be there after your warranty expires.

### If you received a damaged downdraft vent system

Immediately contact the dealer (or builder) that sold you the downdraft vent system.

Staple your receipt here. Proof of the original purchase date is needed to obtain service under the warranty.

# Have a question or need assistance with your appliance?

Try the GE Appliances Website ([www.geappliances.com/service\\_and\\_support/](http://www.geappliances.com/service_and_support/)) 24 hours a day, any day of the year! For greater convenience and faster service, you can now download Owner's Manuals, order parts or even schedule service on-line.

**Schedule Service:** Expert GE repair service is only one step away from your door. Get on-line and schedule your service at [www.geappliances.com/service\\_and\\_support/](http://www.geappliances.com/service_and_support/) Or call 800.GE.CARES (800.432.2737) during normal business hours.

**Parts and Accessories:** Individuals qualified to service their own appliances can have parts or accessories sent directly to their homes (VISA, MasterCard and Discover cards are accepted). Order on-line today, 24 hours every day or by phone at 800.626.2002 during normal business hours.

Instructions contained in this manual cover procedures to be performed by any user. Other servicing generally should be referred to qualified service personnel. Caution must be exercised, since improper servicing may cause unsafe operation.

**Real Life Design Studio:** GE supports the Universal Design concept of products, services and environments that can be used by people of all ages, sizes and capabilities. We recognize the need to design for a wide range of physical and mental abilities and impairments. For details of GE's Universal Design applications, including kitchen design ideas for people with disabilities, check out our Website today. For the hearing impaired, please call 800.TDD.GEAC (800.833.4322).

**Contact Us:** If you are not satisfied with the service you receive from GE, contact us on our Website with all the details including your phone number, or write to:  
**General Manager, Customer Relations**  
**GE Appliances, Appliance Park Louisville, KY 40225**

## Accessories

### Looking For Something More?

GE offers a variety of accessories to improve your cooking and maintenance experiences!

To place an order visit us online at:

[www.GEApplianceParts.com](http://www.GEApplianceParts.com)

or call **800.626.2002**

The following products and more are available:

#### Parts

Filter UVB30	WB02X10932
Filter UVB36	WB02X10940

#### Cleaning Supplies

CitruShine Stainless Steel Wipes	WX10X10007
CERAMA BRYTE® Stainless Steel Appliance Cleaner	PM10X311

## How to Remove Protective Shipping Film and Packaging Tape

Carefully grasp a corner of the protective shipping film with your fingers and slowly peel it from the appliance surface. Do not use any sharp items to remove the film. Remove all of the film before using the appliance for the first time.

To assure no damage is done to the finish of the product, the safest way to remove the adhesive from packaging tape on new appliances is an application of a household liquid dishwashing detergent. Apply with a soft cloth and allow to soak.

**NOTE:** The adhesive must be removed from all parts. It cannot be removed if it is baked on.

# Downdraft Vent System

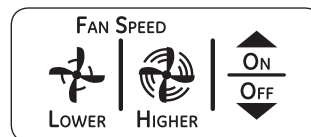
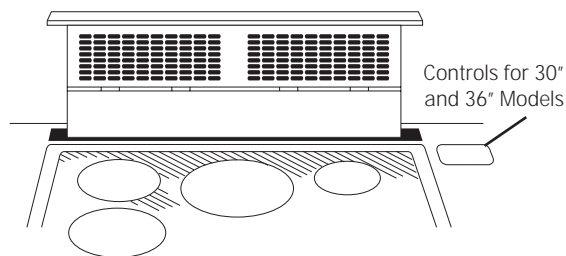
## To Use The Downdraft System

To raise the downdraft vent, press the **ON/OFF** pad on the control. The vent will rise.

Press the Fan Speed **HIGHER** pad to start the blower. Adjust the blower by pressing **HIGHER** or **LOWER**. The blower, if left on, will automatically turn off when the vent is lowered.

**NOTE:** For most convenient operation, set the blower to the speed you use most often. The blower will come on to this speed whenever the unit is raised.

**IMPORTANT:** The vent can be activated by pressing the pads on the switch. Do not use excessive force or sharp objects to activate the switch. Damage could occur and void the warranty.

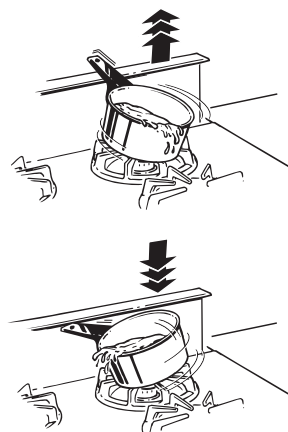


## When Using The Vent System

**⚠ CAUTION:** Be careful when raising or lowering the vent. Be sure pots, pot handles and other objects are clear of the vent and cannot be struck or tipped by the vent being raised.

**NOTE:** There is a slight trim overhang on each side of the vent.

- To avoid injury, be sure fingers are clear of the vent cover when it is being lowered.
- Keep hands and fingers away from all vent parts.



**IMPORTANT:** If the vent is obstructed by an object while it is being raised or lowered, it will stop. Remove the obstruction and press the **ON/OFF** pad again.

## Cooking Tips

The high air movement of this vent system can increase the cooking times for some foods. It may take longer to reach high cooking temperatures if the vent system is turned to high right away. Adjust the fan speed for best cooking results.

For best results when heating oil for deep frying or when boiling water, use the front surface units or wait until the water is boiling or the oil is at frying temperatures before turning on the vent system.

The vent system may not completely capture all the steam from pans on the front burners.

# Downdraft Vent System

---

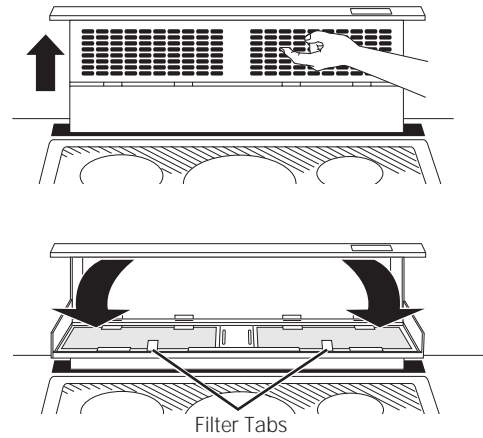
## Grease Filters

The efficiency of your vent system depends on a clean filter. Frequency of cleaning depends on the type of cooking you do. Grease filters should be cleaned at least once a month. Never operate the vent system without the filters in place.

**To remove:** Slip fingers into the vent holes, lift the vent straight up and pull forward. Grasp the filter tabs, push down and out of the retainer.

**To clean:** Soak and then agitate in a hot detergent solution. Light brushing may be used to remove embedded soil. Rinse, shake and remove moisture before replacing. **Do not clean the filters in the dishwasher.**

With careful handling, the filter will last for years. If replacement becomes necessary, order the part from your dealer.



---

## Painted Or Stainless Steel Surfaces

Do not use a steel wool pad; it will scratch the surface.

To clean the stainless steel surface, use warm, sudsy water or a stainless steel cleaner or polish. Always wipe the surface in the direction of the grain. Follow the cleaner instructions for cleaning the stainless steel surface.

For difficult stains on stainless steel, use a cleaner that contains lactic acid or citric acid.

To inquire about purchasing cleaning products including stainless steel appliance cleaner or polish read the Assistance and Accessories sections at the beginning of this manual.



# Installation Instructions

# Downdraft Vent Systems

? "If you have questions, call 800.GE.CARES (800.432.2737) or visit our website at: [GEAppliances.com](http://GEAppliances.com)"

## BEFORE YOU BEGIN

Read these instructions completely and carefully.

- **IMPORTANT** — Save these instructions for local inspector's use.
- **IMPORTANT** — Observe all governing codes and ordinances.
- **Note to Installer** – Be sure to leave these instructions with the Consumer.
- **Note to Consumer** – Keep these instructions for future reference.
- **Skill level** – Installation of this appliance requires a qualified installer or electrician.
- Proper installation is the responsibility of the installer.
- Product failure due to improper installation is not covered under the Warranty.

## GROUNDING INSTRUCTIONS

This appliance must be grounded. In the event of an electrical short circuit, grounding reduces the risk of electric shock by providing an escape wire for the electric current. This appliance is equipped with a cord having a grounding wire with a grounding plug. The plug must be plugged into an outlet that is properly installed and grounded.

### **⚠ WARNING**

Improper grounding can result in a risk of electric shock.

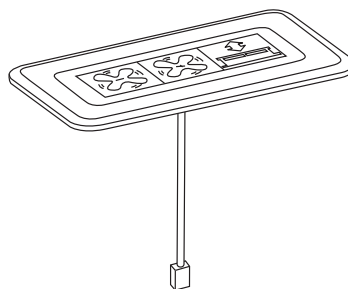
Consult a qualified electrician if the grounding instructions are not completely understood, or if doubt exist as to whether the appliance is properly grounded.

Do not use an extension cord. If the power supply cord is too short, have a qualified electrician install an outlet near the appliance.

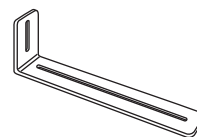
If you received a damaged vent system, you should contact your dealer.

## PARTS SUPPLIED

Open the carton and remove parts package. Check contents to be sure all pieces are present.



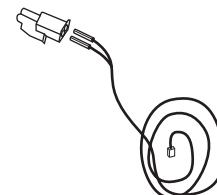
1 Remote Switch



4 Stabilizing Brackets With Screws



2 Filters



1 Wire and White Connector

## TOOLS AND MATERIALS REQUIRED

- Safety glasses
- Large flat-blade screwdriver
- Jigsaw
- Carpenter's square
- Ductwork to suit the installation
- Level

## REMOVE PACKAGING

Remove the shipping materials and the carton; set carton aside. The carton can be used as a pad when changing or adjusting vent direction.



# Safety Information

**⚠ WARNING** TO REDUCE THE RISK OF FIRE, ELECTRIC SHOCK OR INJURY TO PERSONS, OBSERVE THE FOLLOWING:

- Installation work and electrical wiring must be done by a qualified person(s) in accordance with all applicable codes and standards, including fire-rated construction.
- Sufficient air is needed for proper combustion and exhausting of gases through the flue (chimney) of fuel burning equipment to prevent back drafting. Follow the heating equipment manufacturer's guidelines and safety standards such as those published by the National Fire Protection Association (NFPA), and the American Society for Heating, Refrigeration and Air Conditioning Engineers (ASHRAE), and the local code authorities.
- When cutting or drilling into wall or ceiling, do not damage electrical wiring and other hidden utilities.
- Ducted fans must always be vented to the outdoors.

**⚠ CAUTION** TO REDUCE THE RISK OF FIRE AND TO PROPERLY EXHAUST AIR, BE SURE TO DUCT AIR OUTDOORS. DO NOT VENT EXHAUST AIR INTO SPACES WITHIN WALLS OR CEILINGS OR INTO ATTICS, CRAWL SPACES OR GARAGES.

**⚠ WARNING** TO REDUCE THE RISK OF FIRE, USE ONLY METAL DUCTWORK.

- When applicable, install any makeup (replacement) air system in accordance with local building code requirements. Visit [GEAppliances.com](http://GEAppliances.com) for available makeup air solutions.
- PVC sewer pipe can be used as duct under concrete slab if allowed by local code board.

# Installation Preparation

## POWER SUPPLY

This downdraft vent must be supplied with 120V, 60 Hz. and connected to an individual, properly grounded branch circuit, protected by a 15- or 20-ampere circuit breaker or time-delay fuse.

A properly grounded 3-prong receptacle should be located within reach of the vent's two-foot power cord.

- **Gas Cooktops**

If this vent is installed in combination with a GE or Monogram gas cooktop, it may operate from the same duplex outlet.

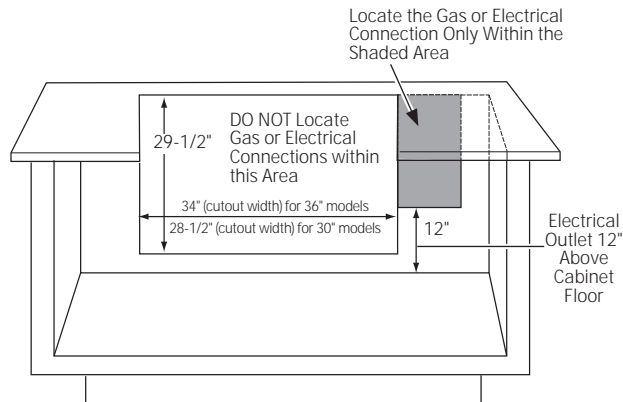
- **Electric Cooktops**

If this vent is installed in combination with a GE or Monogram electric cooktop, the vent must operate from a separate 120V outlet.

Locate the receptacle inside the cabinet on the right side wall (see illustration). The receptacle cannot be placed on the back of the cabinet wall where it may interfere with the downdraft plenum.

The downdraft vent power cord is to be routed beneath the cooktop and routed away from heat generated by the cooktop.

Ensure that the cooktop is installed per manufacturer's installation instructions.



## IMPORTANT

**(Please read carefully)**

The power cord of this appliance is equipped with a three-prong (grounding) plug which mates with a standard three-prong grounding wall receptacle to minimize the possibility of electric shock. The customer should have the wall receptacle and circuit checked by a qualified electrician to make sure the receptacle is properly grounded and has correct polarity.

- Where a standard two-prong wall receptacle is encountered, it is the personal responsibility and obligation of the customer to have it replaced with a properly grounded three-prong wall receptacle.

**Do not, under any circumstances, cut or remove the third (ground) prong from the power cord.**

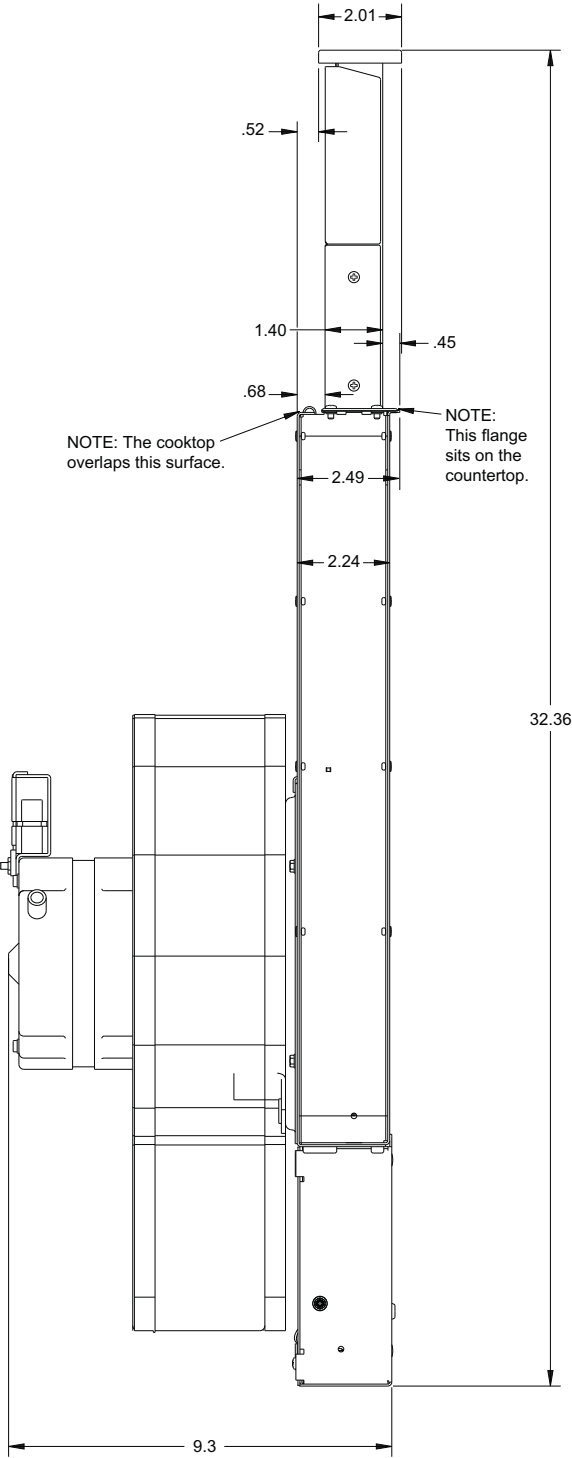
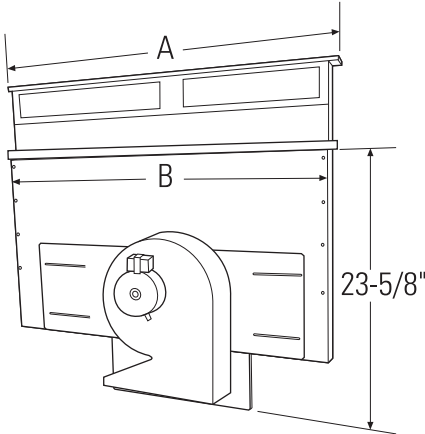
Do not use an extension cord or adapter plug with this appliance. Follow National Electrical Code or prevailing local codes and ordinances.

Location of Rating Label: on front of chassis of vent system.

# Installation Preparation

## PRODUCT DIMENSIONS

	A	B
30" Models	30"	28-5/16"
36" Models	36"	33-15/16"



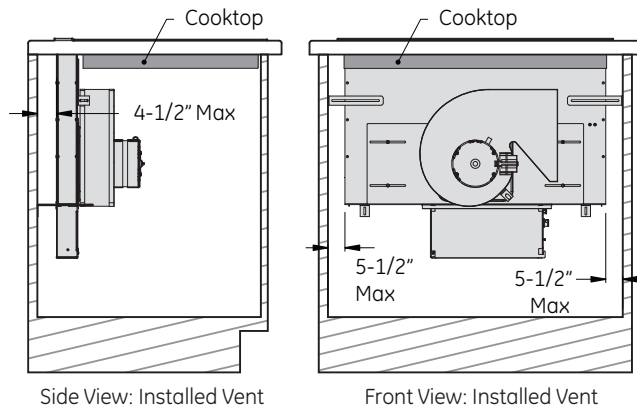
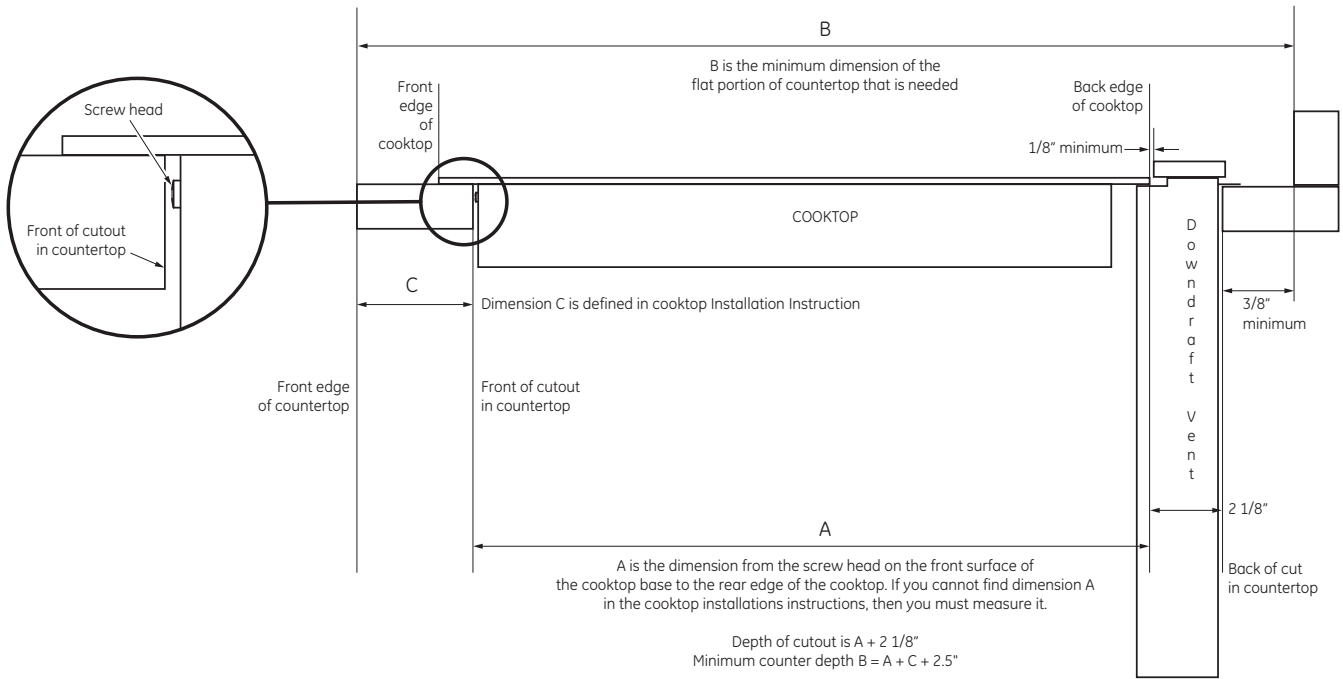
## ACCESSORIES

**JXR67** – Optional accessory for indoor remote location of the blower/motor assembly. Use this kit when the blower and motor assembly will be located outside of the cabinet, such as below the cabinet floor.

# Installation Preparation

## PREPARING FOR INSTALLATION

- Unpack the cooktop and read the Installation Instructions to understand the required countertop cutout dimensions and location in the countertop, the cooktop spacing to the front edge of the countertop, and the required clearances to the cabinets and walls. The vent system required cutout width is shown on page 4. Confirm there is enough side to side counter space to meet the required spacing and clearances for the cooktop.
- Using the illustrations below and taking measurements of the cooktop to establish dimension A, confirm there is enough front to back counter space (dimension B) to fit both the cooktop and the vent system. Note the cooktop rear edge will overlap the vent system front surface (refer to Page 5).
- Refer to the Creative Solutions section on page 8 if more counter space is needed.
- Using the illustrations on pages 5 through 7 and taking measurements of the vent system and its exhaust vent location, confirm the clearances needed within the cabinet, the exhaust vent direction, and the alignment of the exhaust vent with the ducting. If needed for clearance or duct hookup alignment, reposition the location of the cooktop, or modify the cabinetry, or modify the ducting. A remote blower kit JXR867 is available to move the blower assembly out of the cabinet area.
- Confirm the electrical receptacles and gas lines are correctly located, and relocate if needed.



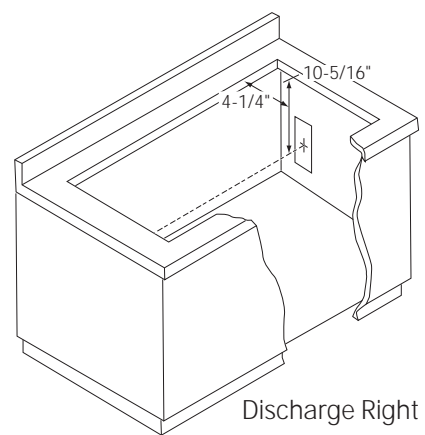
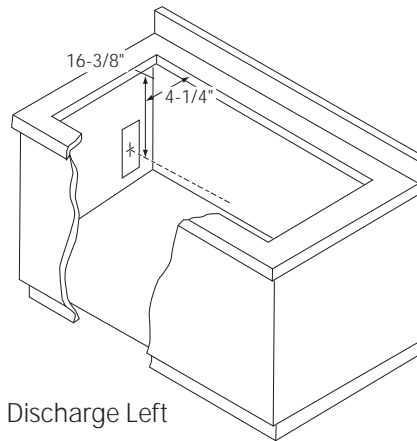
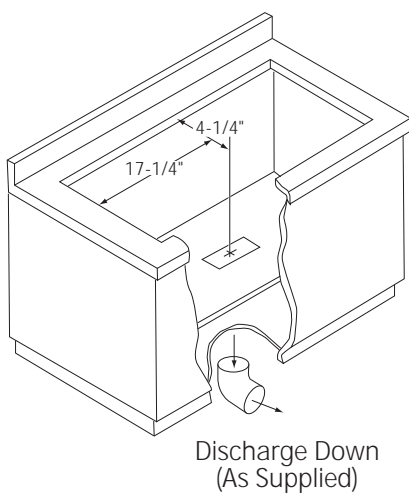
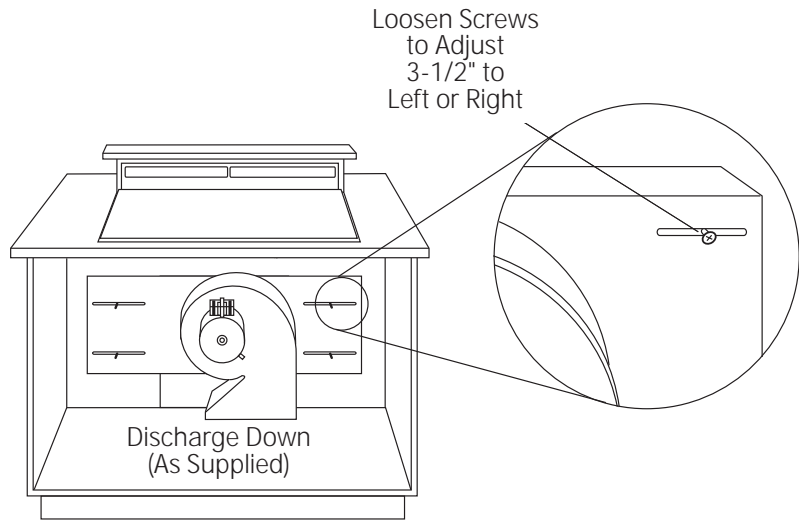
# Installation Preparation

## VENTING OPTIONS

- The downdraft vent is shipped with the discharge outlet pointing straight down and can be changed to the left or right side.
- The blower outlet is sized for 3-1/4" x 10" and can be transitioned to 6" round.

### Side-to-Side Adjustments:

The entire blower mounting plate can be adjusted 3-1/2" to the left or right. This will help to align vent discharge to house ductwork.



### Discharge Direction

The blower assembly may be removed and turned 90° for a left- or right-side discharge.

- A left or right 90° direction adjustment should be performed before dropping into the countertop opening.

### To change to a left or right discharge:

- Remove the 4 screws holding the blower and the mounting plate assembly to the downdraft vent. Retain screws.
- Remove blower assembly; turn it over to access the 4 nuts holding the blower to the mounting plate. Remove the nuts.

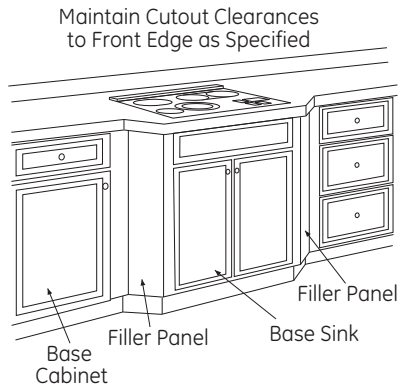
### IMPORTANT: Do not lift motor by the power cable.

- Turn the blower to the left or right discharge direction and reinstall the 4 nuts.
- Reinstall blower and mounting plate with original screws.
- The hood must vent down or to the left when installed with a GE or Monogram gas cooktop to avoid interference with the inlet of the gas cooktop.

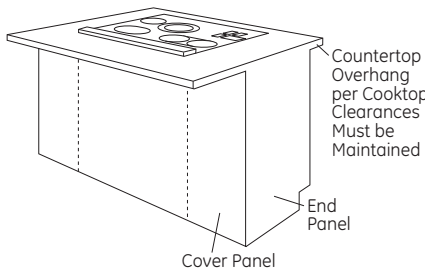
# Design Information

## CREATIVE SOLUTIONS

- When the kitchen design calls for an against-the-wall installation, move the base cabinet forward 3" to 5". Filler panels or complementary moldings can be added to exposed cabinet sides.

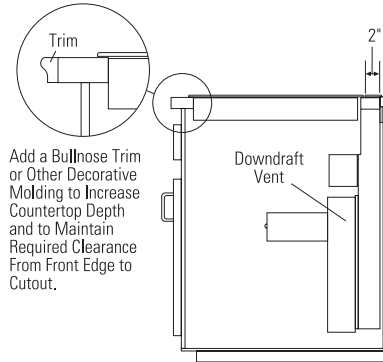


- In an island or peninsula, use an extra-deep countertop. The countertop overhang at the front can be adjusted to meet setback to cutout requirements.



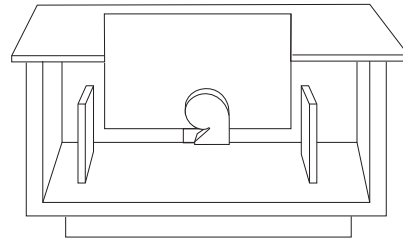
- When the cutout to the front edge of the countertop requirement is more than 2", add a bullnose trim to the front edge of the countertop. Include the trim thickness when measuring the front edge to cutout requirement. By adding the trim, the cooktop can be moved forward,

providing additional countertop depth and interior cabinet space.



Add a Bullnose Trim or Other Decorative Molding to Increase Countertop Depth and to Maintain Required Clearance From Front Edge to Cutout.

- When the distances between the vent and the inside cabinet side walls are more than 5-1/2" and/or the inside cabinet back wall is more than 4-1/2", false walls should be constructed inside the cabinet for securing the vent with the stabilizing brackets (refer to Cutouts and Clearances under Installation Preparation.)



## PREPARING THE COUNTERTOP

Cut out the opening. Measure carefully when cutting the countertop, making sure the sides of the opening are parallel and the front and rear cuts are exactly perpendicular to the sides.

The front of the opening must clear the front support rail on the cabinet, and the rear of the opening must clear the rear support of the cabinet.

Chamfer all exposed edges of decorative laminate to prevent damage from chipping.

**Radius corners of cutout and file to ensure smooth edges and prevent corner cracking.**

Rough edges inside corners which have not been rounded and forced fit can contribute to cracking of the countertop laminate.

# Design Information

## PREPARE FOR DUCTWORK

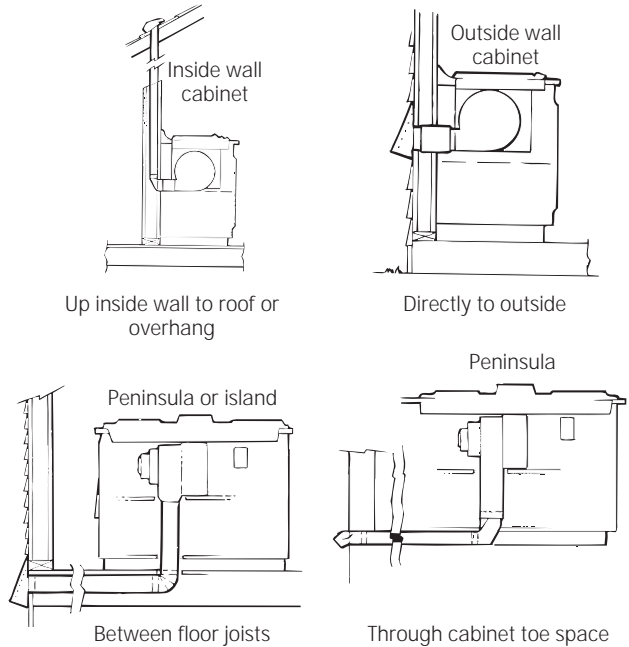
Determine the best route for ductwork; it can be routed in a variety of ways depending on the kitchen layout.

**IMPORTANT:** The downdraft air discharge outlet for this unit is 3 1/4" x 10" rectangular. Plan ducting accordingly.

Typical duct arrangement countertop series.

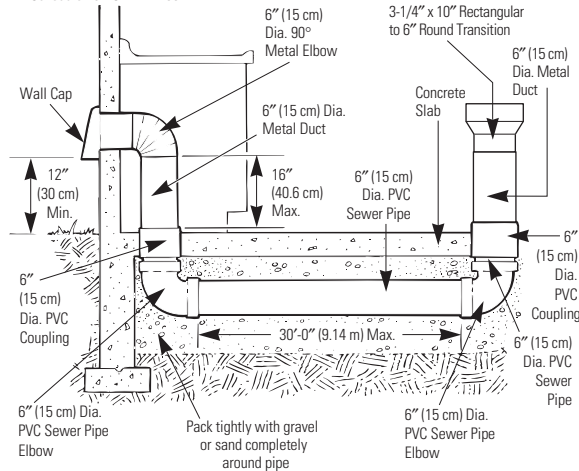
To maximize the ventilation performance of the vent system:

1. Minimize the duct run length and number of transitions and elbows.
2. Maintain a constant duct size.
3. Seal all joints with duct tape to prevent any leaks.
4. Do not use any type of flexible ducting.

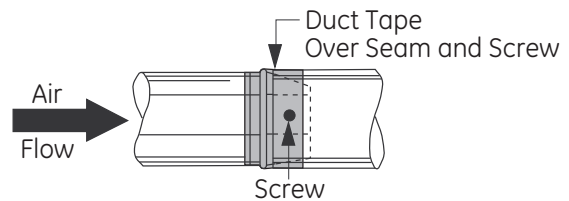


## Optional duct arrangement under concrete slab. PVC duct should be used if installing under a poured concrete slab.

**NOTE:** PVC sewer pipe type PSM 12454-B  
Schedule 40 ASTM D1785.



Install ductwork so the piece of duct nearest the downdraft unit slots INTO the next piece of the duct. Secure the joints with self-tapping screws and apply duct tape around the joints to ensure an airtight seal.

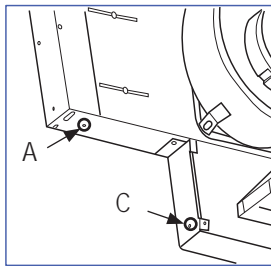
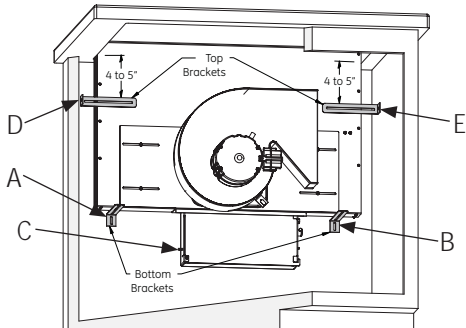




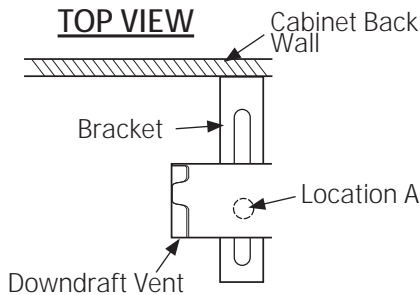
# Installation Instructions

## 1 INSTALL DOWNDRAFT VENT

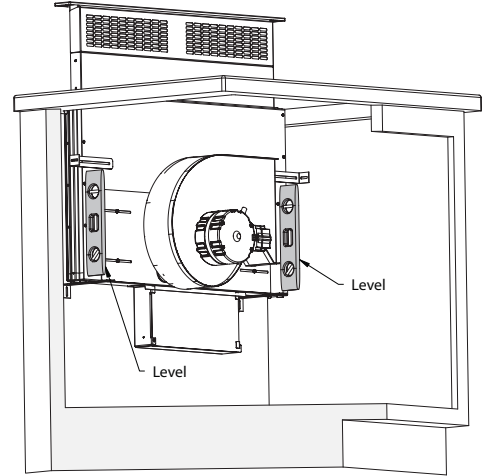
- A** Two stabilizing brackets must be installed on each side of the downdraft vent.
- For **right-side or straight-down blower discharge**, fasten the stabilizing brackets at locations A, B, D and E.
  - For **left-side blower discharge**, fasten the stabilizing brackets at locations B, C, D and E.



- B** Place the downdraft vent into the countertop cutout so that the back flange of the vent is sitting on top of the countertop.
- C** Secure the screws for the stabilizing brackets to the cabinet back and side walls.



- D** Confirm the vent system is plumb and square with the cabinetry.



- E** Place Cooktop into the countertop cutout. There should be a **1/8" minimum gap** between the front of the vent trim and the rear of the cooktop.
- F** Connect duct. Use a roof or wall cap (with damper) that is intended for use with kitchen hoods and vent systems.

# Installation Instructions

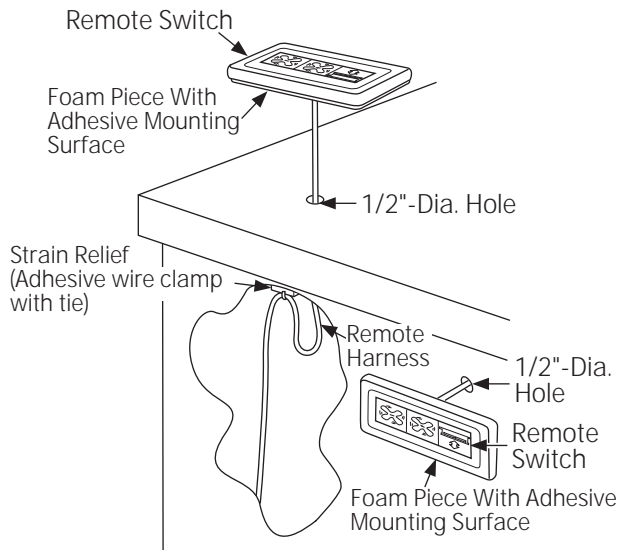
## 2 INSTALL REMOTE SWITCH

### **⚠ WARNING BURN HAZARD**

The remote switch must be located so that it can be operated without reaching over the cooktop. Failure to do so may result in ignition of clothing which could cause serious injury or death.

#### **Determine the location for the remote switch.**

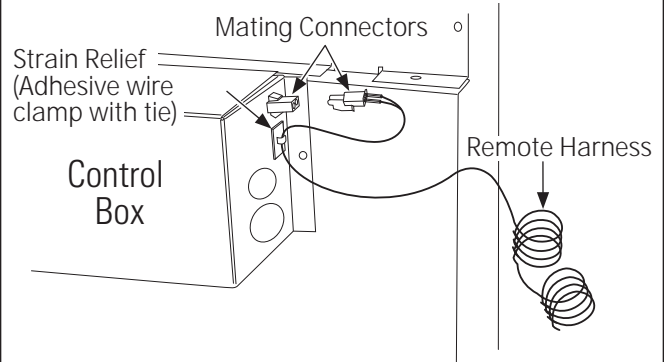
- Disconnect the remote switch from the harness.
- The remote switch should be located so that the vertical distance from the floor to the remote switch is less than 48" and more than 15".
- The remote switch harness is 68" long and should be installed so that it is not pinched and is away from moving parts.



- Use the remote switch to determine the exact center of the hole, confirm there is clearance behind the hole for the connector and wire to pass into, and drill a 1/2" diameter hole.
- If the remote switch is not installed on the countertop, ensure that it is installed in a location that meets local codes and is easily accessible.

### **Connect Remote Switch to Remote Harness**

- Thread the remote harness through the 1/2"-dia. hole and attach the harness connector to the remote connector.
- Remove the paper backing on the remote switch foam piece and mount the remote switch on the countertop such that the switch connectors stay located in the 1/2"-dia. hole.
- Stick adhesive wire clamp near the 1/2"-dia. hole and attach the loose wire with a wire tie.



### **Connect Wire Lead to Control Box**

- Connect the mating wire ends.
- Place the adhesive wire clamps (provided) near the mating connector.
- Keep approximately 3"-long wire and attach the wire to the clamp with a wire tie. This will act as a strain relief.

# Installation Instructions

---

## 3 CONNECT POWER

Plug power cord into properly grounded receptacle.

## 4 INSTALL FILTERS, CHECK OPERATION

- Press the ON/OFF pad on the control to raise the vent.
- Slip fingers into the vent holes. Lift the vent straight up and pull forward.
- Slide filter into the retainers and close the vent.
- Press the Fan Speed HIGHER pad to start the blower. Adjust the blower by pressing HIGHER or LOWER.
- To lower the vent, press the ON/OFF pad.

**NOTE:** It is not necessary to turn the fan OFF before lowering the vent. The fan will automatically turn off when the vent is lowered. When the fan is not turned off before lowering the vent, it will automatically come on at the previously set speed when the vent is fully raised.

**IMPORTANT:** The vent can be activated by pressing the pads on the switch. Do not use excessive force or sharp objects to activate the switch. Damage could occur and void the warranty.

# Notes

---

## Troubleshooting tips ... Before you call for service

Save time and money! Review the charts on the following pages first and you may not need to call for service.

<b>Problem</b>	<b>Possible Cause</b>
Fan does not work	The vent is not fully extended. Press the ON/OFF pad.
Vent does not work	The vent is not plugged into an outlet. Plug the vent into a 120V power outlet.
	The raise/lower pad did not engage the lift motor. Hold down the pad for a couple of seconds to activate the motor.
	The circuit breaker may have tripped. Check the circuit breaker— reset if necessary.
	Sufficient makeup (replacement) air is required for exhausting appliances to operate to rating. Check with local building codes, which may require or strongly advise the use of makeup air. Visit <a href="http://GEAppliances.com">GEAppliances.com</a> for available makeup air solutions.



# Sistema de ventilación de corriente descendente

- Información de Seguridad..... 2
- Garantía ..... 4
- Asistencia / Accesorios..... 5
- Uso del Sistema de Ventilación
- Sistema De Ventilación
- De Corriente Descendente ..... 6
- Cuidado y Limpieza
- Sistema De Ventilación
- De Corriente Descendente ..... 7
- Instrucciones de instalación .... 8
- Consejos Para la
- Solución de Problemas ..... 20

Manual del propietario  
e Instrucciones  
de Instalación

UVB30  
UVB36

Escriba los números de modelo y serie aquí:

Nº de modelo \_\_\_\_\_

Nº de serie \_\_\_\_\_

Estos números también se encuentran en la Tarjeta de Registro de Propiedad de Producto enviada en forma separada con su sistema de ventilación de corriente descendente y en la etiqueta que se encuentra en el panel frontal de la unidad.

# INFORMACIÓN IMPORTANTE DE SEGURIDAD

## LEA TODAS LAS INSTRUCCIONES ANTES DE USAR

**!** Este es el símbolo de alerta de seguridad. El mismo alerta sobre potenciales riesgos que le pueden producir la muerte o lesiones tanto a usted como a otras personas. Todos los mensajes de seguridad estarán a continuación del símbolo de alerta de seguridad y con la palabra “PELIGRO”, “ADVERTENCIA” o “PRECAUCIÓN”. Estas palabras se definen como:

**!** **PELIGRO** Indica una situación de riesgo que, si no se evita, **producirá** la muerte o lesiones graves.

**!** **ADVERTENCIA** Indica una situación de riesgo que, si no se evita, **podría** producir la muerte o lesiones graves.

**!** **PRECAUCIÓN** Indica una situación de riesgo que, si no se evita, **podría** resultar en lesiones menores o moderadas.

## SAFETY PRECAUTIONS

**!** **ADVERTENCIA** **PARA REDUCIR EL RIESGO DE INCENDIO, DESCARGA ELÉCTRICA O LESIONES A PERSONAS, CUMPLA CON LOS SIGUIENTES PUNTOS:**

- Utilice esta unidad sólo de la manera concebida por el fabricante. Si tiene alguna pregunta, comuníquese con el fabricante.
- Antes de realizar reparaciones o limpiar la unidad, desconecte la energía del panel de servicio y bloquee los medios de desconexión para evitar el accionamiento de la energía de manera accidental. Cuando los medios de desconexión de servicio no pueden bloquearse, coloque sobre el panel de servicio un dispositivo de advertencia bien visible, como una etiqueta.
- No utilice esta unidad con ningún dispositivo de control de velocidad de estado sólido.
- Enchufe el sistema de ventilación en un tomacorriente con conexión a tierra de 120 voltios únicamente. No retire la pata redonda de conexión a tierra del enchufe. Si tiene dudas sobre la conexión a tierra del sistema eléctrico para hogar, es su responsabilidad y obligación contar con el reemplazo de un tomacorriente sin conexión a tierra por un tomacorriente de tres patas correctamente conectado a tierra, de acuerdo con el Código Nacional de Electricidad. No use prolongadores con este electrodoméstico.

**!** **PRECAUCIÓN** **SÓLO PARA USO DE VENTILACIÓN GENERAL. NO LO UTILICE PARA ELIMINAR MATERIALES Y VAPORES PELIGROSOS O EXPLOSIVOS.**

**!** **ADVERTENCIA** **PARA REDUCIR EL RIESGO DE LESIONES A PERSONAS EN CASO DE UN INCENDIO DE GRASA SOBRE UNA ESTUFA, CUMPLA CON LOS SIGUIENTES PUNTOS\*:**

- APAGUE LAS LLAMAS con una tapa que ajuste bien, una plancha para galletas o una bandeja de metal, y luego apague el quemador. **TENGA MUCHO CUIDADO A FIN DE EVITAR QUEMADURAS.** Si las llamas no se apagan de inmediato, **SALGA DE LA VIVIENDA Y LLAME AL DEPARTAMENTO DE BOMBEROS.**
- NUNCA LEVANTE UNA SARTÉN EN LLAMAS—** Usted puede quemarse.
- NO UTILICE AGUA,** incluyendo repasadores o toallas húmedos—se provocará una violenta explosión de vapor.
- Utilice un extintor **SÓLO** si:
  - Usted sabe que cuenta con un extintor Clase ABC y ya sabe cómo utilizarlo.
  - El incendio es pequeño y se contuvo en el área donde comenzó.
  - Se está llamando al departamento de bomberos.
  - Usted puede combatir el incendio con su espalda dirigida hacia una salida.

\*Basado en “[Kitchen Fire Safety](#)” publicado por NFPA.

## LEA Y GUARDE ESTAS INSTRUCCIONES



---

## SAFETY PRECAUTIONS

---

**⚠ ADVERTENCIA PARA REDUCIR EL RIESGO DE UN INCENDIO DE GRASA SOBRE UNA ESTUFA:**

- A. Nunca deje unidades de superficie desatendidas en configuraciones de calor elevadas. Los alimentos que hierven y se derraman provocan humo y derrames grasos que pueden prenderse fuego. Caliente los aceites lentamente en configuraciones bajas o medias.
- B. Siempre encienda el sistema de ventilación cuando cocine con configuraciones de calor elevadas o cuando flambee alimentos (por ej., Crepes Suzette, cerezas Jubilee, carne flambeada a la pimienta en grano).
- C. Limpie los ventiladores con frecuencia. No debe permitirse la acumulación de grasa en el ventilador o en el filtro.
- D. Utilice el tamaño de recipiente adecuado. Siempre utilice recipientes de cocción apropiados para el tamaño del elemento de superficie.

### Si necesita servicio técnico...

No intente reparar o cambiar ninguna pieza del sistema de ventilación, a menos que esté específicamente recomendado en este manual. Cualquier otro servicio debe realizarlo un técnico calificado.

Asegúrese de cortar la electricidad antes de efectuar servicio técnico en el aparato.

Puede resultar necesario quitar el sistema de ventilación para realizar servicio técnico en componentes tales como el motor del ventilador o el mecanismo de ventilación de aire.

Desconecte la energía que alimenta la estufa y quítela en primer término. Invierta los pasos de la sección "Cómo instalar la ventilación descendente" en las Instrucciones de instalación para quitar el ventilador.

Las piezas para el servicio técnico se encuentran disponibles en el Centro de Servicio Técnico y Piezas de GE.

Cuando baje la ventilación, mantenga los dedos alejados de la parte superior del sistema de ventilación.

**LEA Y GUARDE ESTAS INSTRUCCIONES**

# ¡Gracias! ... por su compra de un electrodoméstico de la Marca GE

**Registre su Electrodoméstico:** ¡Registre su electrodoméstico nuevo a través de Internet, según su conveniencia!

[www.geappliances.com/service\\_and\\_support/register/](http://www.geappliances.com/service_and_support/register/)

Un registro puntual de su producto permitirá una mejor comunicación y un servicio más puntual de acuerdo con los términos de su garantía, en caso de surgir la necesidad. También puede enviar una carta en la tarjeta de inscripción pre-impresa que se incluye con el material embalado.

## Garantía de la Cocina Eléctrica de GE

### GEAppliances.com

Todo el servicio de garantía es provisto por nuestros Centros de Servicio de Fabricación, o un técnico autorizado de Servicio al Cliente (Customer Care®). Para programar una visita del servicio técnico a través de Internet, visítenos en [www.geappliances.com/service\\_and\\_support/](http://www.geappliances.com/service_and_support/), o llame al 800.GE.CARES (800.432.2737). Cuando llame para solicitar el servicio, tenga los números de serie y de modelo disponibles.

Para realizar el servicio técnico de su electrodoméstico se podrá requerir el uso de datos del puerto de abordaje para su diagnóstico. Esto da al técnico del servicio de fábrica de GE la habilidad de diagnosticar de forma rápida cualquier problema con su electrodoméstico, y de ayudar a GE a mejorar sus productos al brindarle a GE la información sobre su electrodoméstico. Si no desea que los datos de su electrodoméstico sean enviados a GE, solicitamos que le indique a su técnico no entregar los datos a GE en el momento del servicio.

Durante el período de un año desde la fecha original de compra, GE le brindará cualquier parte del sistema de ventilación que falle debido a un defecto en los materiales o la fabricación. Durante esta garantía limitada de un año, GE también proveerá, sin costo, todo el trabajo y el servicio en el hogar relacionado con el reemplazo de la parte que presente defectos.

### Qué no cubrirá GE:

- Viajes del técnico del servicio a su hogar para enseñarle sobre cómo usar el producto.
- Instalación, entrega o mantenimiento inadecuados.
- Fallas del producto en caso de abuso, mal uso, modificación o uso para propósitos diferentes al original o uso comercial.
- Reemplazo de fusibles de la casa o reinicio de disyuntores.
- Daños ocasionados sobre el producto por accidente, incendio, inundaciones o catástrofes naturales.
- Daños incidentales o consecuentes causados por posibles defectos sobre este producto.
- Daño causado después de la entrega.
- Producto no accesible para brindar el servicio requerido.
- Solicite el servicio técnico para reparar o reemplazar las lámparas, excepto las lámparas LED.

### EXCLUSIÓN DE GARANTÍAS IMPLÍCITAS

Su única y exclusiva alternativa es la reparación del producto, como se indica en la Garantía Limitada. Las garantías implícitas, incluyendo garantías implícitas de comerciabilidad o conveniencia sobre un propósito particular, se limitan a un año o al período más corto permitido por la ley.

Esta garantía se extiende al comprador original y a cualquier dueño subsiguiente de productos comprados para uso hogareño dentro de EE.UU. Si el producto está en un área donde no se encuentra disponible un Proveedor Autorizado del Servicio Técnico de GE, usted será responsable por el costo de un viaje o se podrá requerir que traiga el producto a una ubicación del Servicio Técnico de GE Autorizado para recibir el servicio. En Alaska, la garantía excluye el costo de envío o llamadas del servicio a su hogar.

Algunos estados no permiten la exclusión o limitación de daños fortuitos o consecuentes. Esta garantía le da derechos legales específicos y es posible que tenga otros derechos legales que varían entre un estado y otro. Para conocer cuáles son sus derechos legales, consulte a la oficina de asuntos del consumidor local o estatal o al Fiscal de su estado.

Garante: General Electric Company. Louisville, KY 40225

**Garantías Extendidas:** Adquiera una garantía extendida de GE y aprenda sobre descuentos especiales que están disponibles mientras su garantía aún está vigente. La puede adquirir en cualquier momento a través de Internet en

[www.geappliances.com/service\\_and\\_support/shop-for-extended-service-plans.htm](http://www.geappliances.com/service_and_support/shop-for-extended-service-plans.htm)

o llamando al 800.626.2224 durante el horario comercial habitual. Los Servicios para el Consumidor Hogareño de GE aún estarán allí cuando su garantía caduque.

### Si usted recibió un sistema de ventilación de corriente descendente averiado

Comuníquese de inmediato con el vendedor (o constructor) que le vendió el sistema de ventilación de corriente descendente.

## ¿Desea realizar una consulta o necesita ayuda con su electrodoméstico?

¡Consulte el Sitio Web de Electrodomésticos de GE ([www.geappliances.com/service\\_and\\_support/](http://www.geappliances.com/service_and_support/)) durante las 24 horas, cualquier día del año! Para mayor conveniencia y un servicio más rápido, ahora puede descargar el Manual del Propietario, ordenar piezas o incluso programar el servicio técnico a través de Internet.

**Servicio Programado:** El servicio de reparación de expertos de GE está a sólo un paso de su puerta. Entre a Internet y programe su servicio en [www.geappliances.com/service\\_and\\_support/](http://www.geappliances.com/service_and_support/) o llame al 800.GE.CARES (800.432.2737) durante el horario de atención comercial.

**Piezas y Accesorios:** Aquellas personas calificadas para realizar el servicio técnico sobre sus propios electrodomésticos podrán solicitar el envío de piezas o accesorios directamente a sus hogares (se aceptan las tarjetas VISA; MasterCard y Discover). Ordene a través de Internet hoy, durante las 24 horas o en forma telefónica al 800.626.2002 durante el horario de atención comercial.

Las instrucciones que figuran en este manual cubren los procedimientos que serán realizados por cualquier usuario. Otros servicios técnicos generalmente deberían ser derivados a personal calificado del servicio. Se deberá tener cuidado, ya que una reparación indebida podrá hacer que el funcionamiento no sea seguro.

## Accesorios

¿Busca Algo Más?

¡GE ofrece una variedad de accesorios para mejorar sus experiencias de cocción y mantenimiento!

Para realizar una orden, visítenos a través de Internet en:

**[www.GEApplianceParts.com](http://www.GEApplianceParts.com)**

o llame al **800.626.2002**

Estos y otros productos están disponibles:

### Piezas

Filtro UVB30	WB02X10932
Filtro UVB36	WB02X10940

### Suministros de Limpieza

Limpiadores de Acero Inoxidable CitriShine	WX10X10007
Limpiador de Electrodomésticos de Acero Inoxidable CERAMA BRYTE®	PM10X311

### Cómo Retirar la Película Protectora de Envío y la Cinta de Embalaje

Con cuidado tome un extremo de la película protectora de envío con los dedos y lentamente retire la misma de la superficie del electrodoméstico. No utilice ningún producto filoso para retirar la película. Retire toda la película antes de usar el electrodoméstico por primera vez.

Para asegurar que no haya daños sobre el acabado del producto, la forma más segura de retirar el adhesivo de la cinta

de embalaje en electrodomésticos nuevos es aplicando un detergente líquido hogareño para lavar platos. Aplique con una tela suave y deje que se seque.

**NOTA:** El adhesivo deberá ser eliminado de todas las partes. No se puede retirar si se hornea con éste dentro.

# Sistema De Ventilación De Corriente Descendente

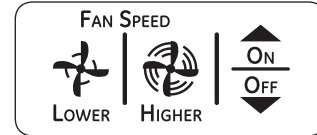
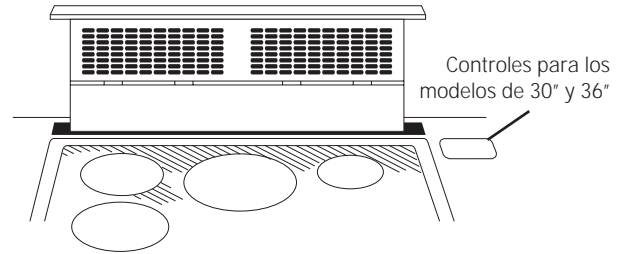
## Sistema De Ventilación De Corriente Descendente

Para levantar la ventilación de corriente descendente, presione el botón **ON/OFF (encendido/apagado)** del control. La ventilación se elevará.

Presione el botón **HIGHER (más alta)** de la velocidad del ventilador para accionarlo. Ajuste la velocidad del ventilador presionando **HIGHER (más alta)** o **LOWER (más baja)**. Si se lo deja encendido, el ventilador se apagará automáticamente cuando se baje la ventilación.

**NOTA:** Para un funcionamiento más conveniente, configure el ventilador a la velocidad que utilice más a menudo. El ventilador se accionará a esta velocidad cuando la unidad se eleve.

**IMPORTANTE:** La ventilación puede activarse presionando los botones del interruptor. No ejerza una fuerza excesiva ni utilice objetos afilados para activar el interruptor. Pueden producirse daños que invalidan la garantía.

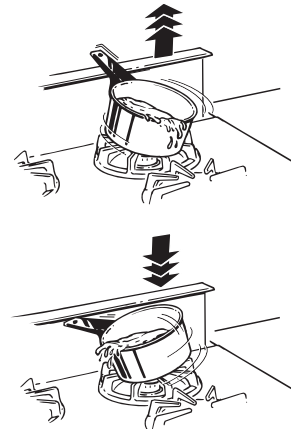


## Cuando Utilice el Sistema de Ventilación

**⚠ PRECAUCIÓN:** Tenga cuidado al levantar o bajar la ventilación. Asegúrese de que las cacerolas, las manijas de las cacerolas y otros objetos se encuentren alejados de la ventilación y que no se golpeen o vuelquen cuando se la eleve.

**NOTA:** Hay una pequeña saliente en cada lado de la ventilación.

- Para evitar lesiones, mantenga los dedos alejados de la tapa de la ventilación cuando se la baje.
- Mantenga las manos y los dedos alejados de todas las piezas de la ventilación.



**IMPORTANTE:** Si la ventilación queda obstruida con un objeto mientras se la sube o baja, ésta se detendrá. Quite la obstrucción y presione de nuevo el botón **ON/OFF (encendido/apagado)**.

## Consejos De Cocción

El elevado movimiento de aire de este sistema de ventilación puede aumentar los tiempos de cocción de algunos alimentos. Puede tomar más tiempo alcanzar temperaturas de cocción elevadas si se acciona la ventilación en la configuración "alta" desde el comienzo. Para mejores resultados de cocción, ajuste la velocidad del ventilador.

Para mejores resultados cuando caliente aceite para freír o cuando hierva agua, utilice las unidades de superficie frontales o espere a que el agua esté hirviendo o a que el aceite se encuentre a temperatura de fritura antes de accionar el sistema de ventilación.

Es posible que el sistema de ventilación no capture por completo todo el vapor proveniente de las ollas de los quemadores frontales.

# Sistema De Ventilación De Corriente Descendente

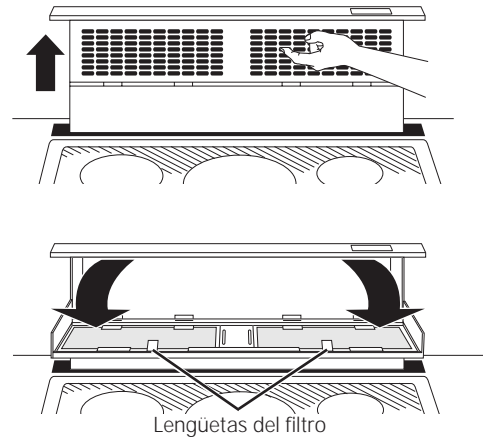
## Filtros De Grasa

La eficiencia del sistema de ventilación depende de la limpieza del filtro. La frecuencia de limpieza depende del tipo de cocción que realice. Los filtros de grasa deben limpiarse por lo menos una vez por mes. Nunca opere el sistema de ventilación si los filtros no están colocados correctamente.

**Para quitar:** Deslice los dedos en los orificios de ventilación y levante la cubierta hacia arriba y empújela hacia adelante. Tome las lengüetas del filtro, presione hacia abajo y quite de la traba.

**Para limpiar:** Sumerja y luego agite en una solución de detergente caliente. Puede utilizarse un cepillo suave para quitar la suciedad muy adherida. Enjuague, agite y quite la humedad antes de volver a colocar. **No lave los filtros en el lavavajillas.**

Con una manipulación cuidadosa, el filtro durará muchos años. Si necesita reemplazarlo, solicite el repuesto a su vendedor.



## Superficies Pintadas O De Acero Inoxidable

No utilice almohadillas de acero porque rayan la superficie.


Para limpiar la superficie de acero inoxidable, utilice agua tibia jabonosa o un limpiador o lustrador para acero inoxidable. Siempre limpie la superficie en dirección de la veta. Siga las instrucciones del producto para limpiar la superficie de acero inoxidable.

En caso de haber manchas difíciles de quitar sobre el acero inoxidable, use un limpiador que contenga ácido láctico o ácido cítrico.

Para realizar consultas sobre la adquisición de productos, incluyendo limpiadores o pulidores para electrodomésticos de acero inoxidable, lea las secciones de Asistencia y Accesorios, en el comienzo de este manual.

# Instrucciones de instalación

# Sistemas de Ventilación de Aire Descendente

 ¿Preguntas? Llame al 800.GE.CARES (800.432.2737) o visite nuestro sitio Web en: [GEAppliances.com](http://GEAppliances.com)

## ANTES DE COMENZAR

Lea estas instrucciones por completo y con detenimiento.

- **IMPORTANTE** — Guarde estas instrucciones para el uso de inspectores locales.
- **IMPORTANTE** — Cumpla con todos los códigos y ordenanzas vigentes.
- **Nota al instalador** – Asegúrese de dejar estas instrucciones con el consumidor.
- **Nota al consumidor** – Conserve estas instrucciones para referencias futuras.
- **Nivel de capacidad** – La Instalación de este electrodoméstico debe ser realizada por un instalador calificado o por un electricista.
- El instalador tiene la responsabilidad de efectuar una instalación adecuada.
- La Garantía no cubre las fallas del producto debido a una instalación incorrecta.

## INSTRUCCIONES PARA DESCARGA A TIERRA

Este electrodoméstico debe estar conectado a tierra. En caso de que se produzca un cortocircuito, la conexión a tierra reduce el riesgo de descarga eléctrica, brindando un cable de escape de la corriente eléctrica. Este electrodoméstico está equipado con un cable de corriente que posee un cable de conexión a tierra con un enchufe a tierra. El enchufe se deberá colocar en un tomacorriente instalado y conectado a tierra de forma adecuada.

### ADVERTENCIA

Una conexión a tierra inadecuada puede producir riesgos de descargas eléctricas.

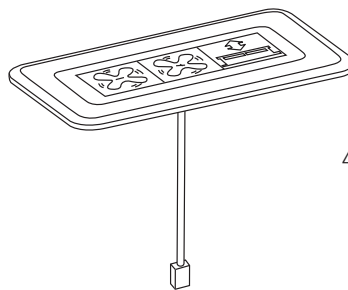
Consulte a un electricista calificado en caso de que las instrucciones de conexión a tierra no se entiendan completamente, o si tiene dudas sobre si el electrodoméstico está conectado a tierra de forma apropiada.

No use un prolongador. Si el cable de corriente es demasiado corto, solicite a un electricista calificado que instale un tomacorriente cerca del electrodoméstico.

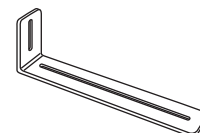
Si el sistema de ventilación que recibió está dañado, se deberá comunicar con su vendedor minorista.

## PIEZAS PROVISTAS

Abra el cartón y retire el paquete de piezas. Controle los contenidos a fin de asegurar que todas las piezas estén presentes.



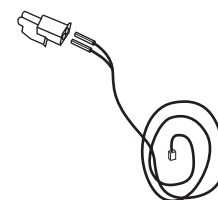
1 Interruptor Remoto



4 Soportes de Estabilización con Tornillos



2 Filtros



1 Cable y un Conector Blanco

## HERRAMIENTAS Y MATERIALES REQUERIDOS

- Gafas de seguridad
- Destornillador con cabeza plana largo
- Sierra de vaivén
- Regla de carpintero
- Tubería adecuada para la instalación
- Nivel

## QUITE EL EMPAQUE

Retire los materiales embalados y el cartón; deje a un lado el cartón. El cartón puede ser usado como base al cambiar o ajustar la dirección de la ventilación.



**⚠ ADVERTENCIA** PARA REDUCIR EL RIESGO DE INCENDIO, DESCARGA ELÉCTRICA O LESIONES A PERSONAS, CUMPLA CON LOS SIGUIENTES PUNTOS:

- El trabajo de instalación y el cableado eléctrico deben ser realizados por una persona(s) calificada de acuerdo con todos los códigos y estándares aplicables, incluyendo construcciones resistentes al fuego.
- Es necesario contar con suficiente cantidad de aire para una combustión y salida de gases adecuadas a través del conducto (chimenea) del equipo de consumo de combustible, a fin de evitar ráfagas de aire. Siga las pautas del fabricante del equipo de calefacción y los estándares de seguridad, tales como aquellos publicados por la Asociación Nacional de Protección contra Incendios (National Fire Protection Association, NFPA), la Sociedad Estadounidense para la Calefacción (American Society for Heating), los Ingenieros de Refrigeración y Acondicionadores de Aire (Refrigeration and Air Conditioning Engineers, ASHRAE) y las autoridades de los códigos locales.
- Al cortar o perforar una pared o un cielorraso, no dañe el cableado eléctrico y de otros servicios ocultos.
- Los ventiladores con conducto siempre deben contar con ventilación hacia el exterior.

**⚠ PRECAUCIÓN** PARA REDUCIR EL RIESGO DE INCENDIO Y PARA ELIMINAR EL AIRE DE ESCAPE CORRECTAMENTE, ASEGÚRESE DE DIRIGIR EL AIRE DEL CONDUCTO HACIA EL EXTERIOR. NO VENTILE EL AIRE DE ESCAPE EN ESPACIOS DENTRO DE PAREDES O CIELORRASOS O EN ÁTICOS, HUECOS SANITARIOS O GARAJES.

**⚠ ADVERTENCIA** A FIN DE REDUCIR EL RIESGO DE INCENDIOS, USE SÓLO CONDUCTOS DE METAL.

- Cuando corresponda, instale un sistema de reposición (reemplazo) de aire de acuerdo con los requisitos del código local de construcción. Para acceder a soluciones relacionadas con la reposición de aire, visite [GEAppliances.com](http://GEAppliances.com).
- La tubería de cloaca de PVC puede ser usada como conducto bajo una losa de concreto, si esto lo permite la junta del código local.



# Preparación para la instalación

## SUMINISTRO DE ENERGÍA

Esta ventilación de aire descendente debe ser provista con 120V, 60 Hz, y estar conectada a un circuito de empalmes individual correctamente conectado a tierra, protegido por un disyuntor o fusible de retardo de 15 o 20 amp.

Un receptáculo de 3 clavijas correctamente conectado a tierra debe estar dentro del alcance del cable de corriente de dos pies de la ventilación.

- **Superficies de Cocción a Gas**

Si esta ventilación es instalada junto con una superficie de cocción a gas de GE o Monogram, puede funcionar desde el mismo tomacorriente doble.

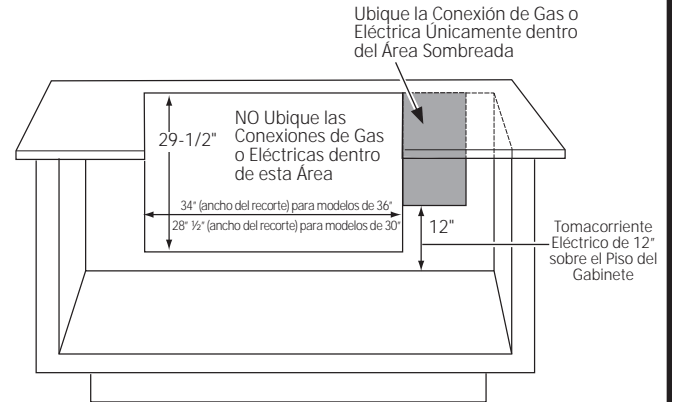
- **Superficies de Cocción Eléctricas**

Si esta ventilación es instalada junto con una superficie de cocción eléctrica de GE o Monogram, la ventilación debe funcionar desde un tomacorriente de 120V aparte.

Ubique el receptáculo dentro del gabinete en la pared lateral derecha (vea la ilustración). El receptáculo no puede ser colocado en la parte trasera de la pared del gabinete, donde puede interferir con el plenum de aire descendente.

El cable de corriente de la ventilación de aire descendente se debe conducir por debajo de la superficie de cocción y alejado del calor generado por esta última.

Asegúrese de que la superficie de cocción sea instalada de acuerdo con las instrucciones de instalación del fabricante.



## IMPORTANTE

### (Tenga a bien leer cuidadosamente)

El cable de corriente de este electrodoméstico cuenta con un enchufe de 3 clavijas (con cable a tierra) que se conecta a un receptáculo de pared con conexión a tierra de tres clavijas para minimizar la posibilidad de descargas eléctricas. El cliente deberá solicitar a un electricista calificado que controle el receptáculo de pared y el circuito, a fin de asegurar que el receptáculo esté adecuadamente conectado a tierra y que cuente con la polaridad correcta.

- En caso de contar con un receptáculo de pared de dos clavijas, es responsabilidad y obligación del cliente reemplazarlo por un tomacorriente de pared de tres clavijas correctamente conectado a tierra.

**Nunca, bajo ninguna circunstancia, corte o elimine el tercer cable (tierra) del cable de corriente.**

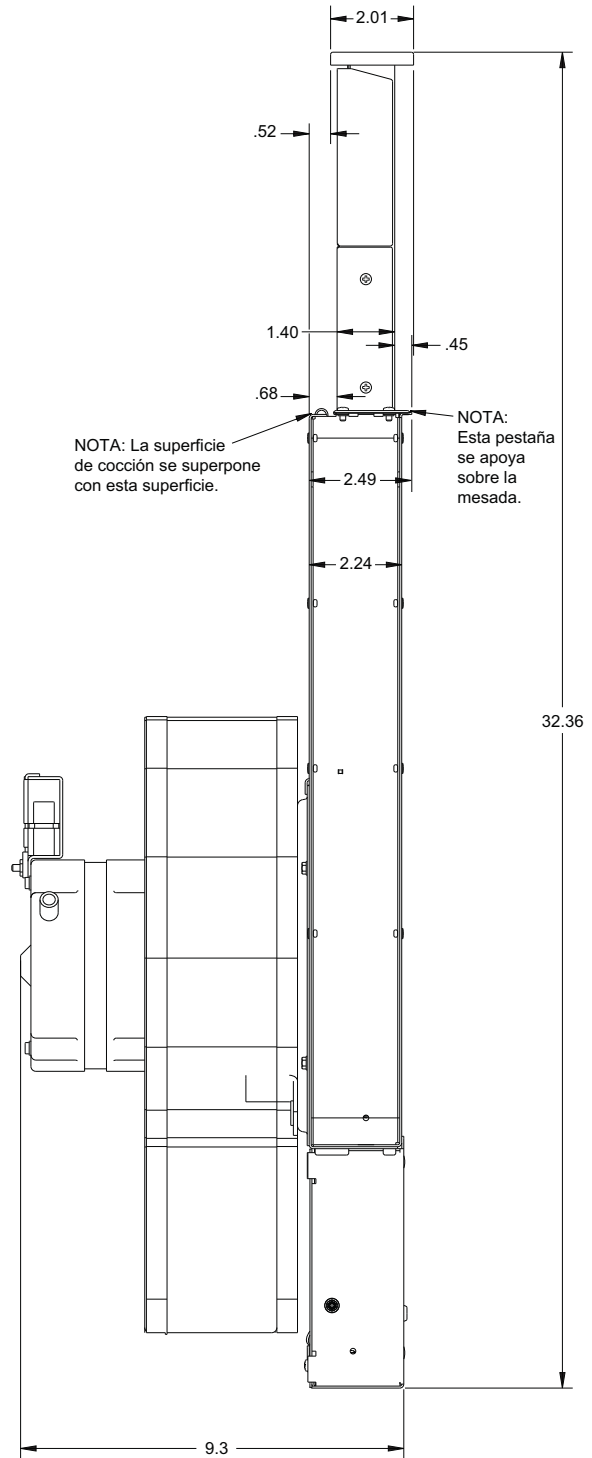
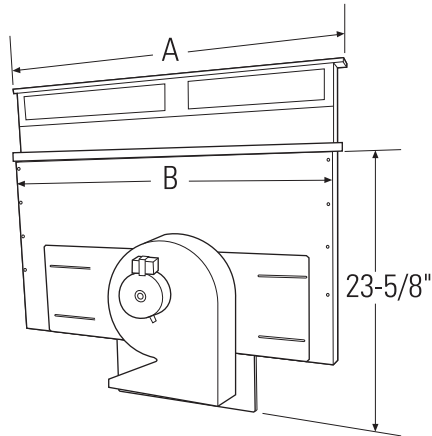
No use prolongadores ni adaptadores con este electrodoméstico. Siga el Código Nacional de Electricidad o los códigos y ordenanzas locales establecidos.

Ubicación de la Etiqueta de Clasificación en el frente del chasis del sistema de ventilación.

# Preparación para la instalación

## DIMENSIONES DEL PRODUCTO

	A	B
30" Modelos	30"	28-5/16"
36" Modelos	36"	33-15/16"



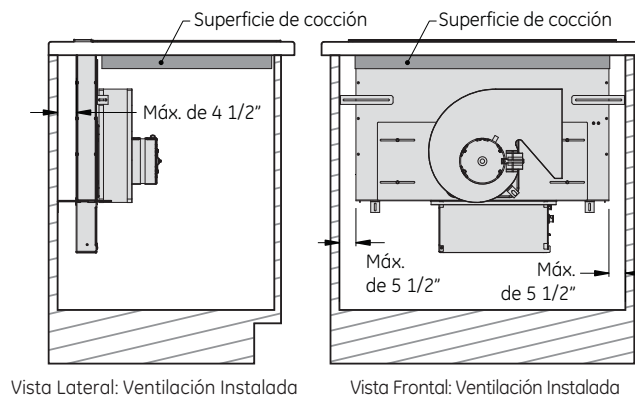
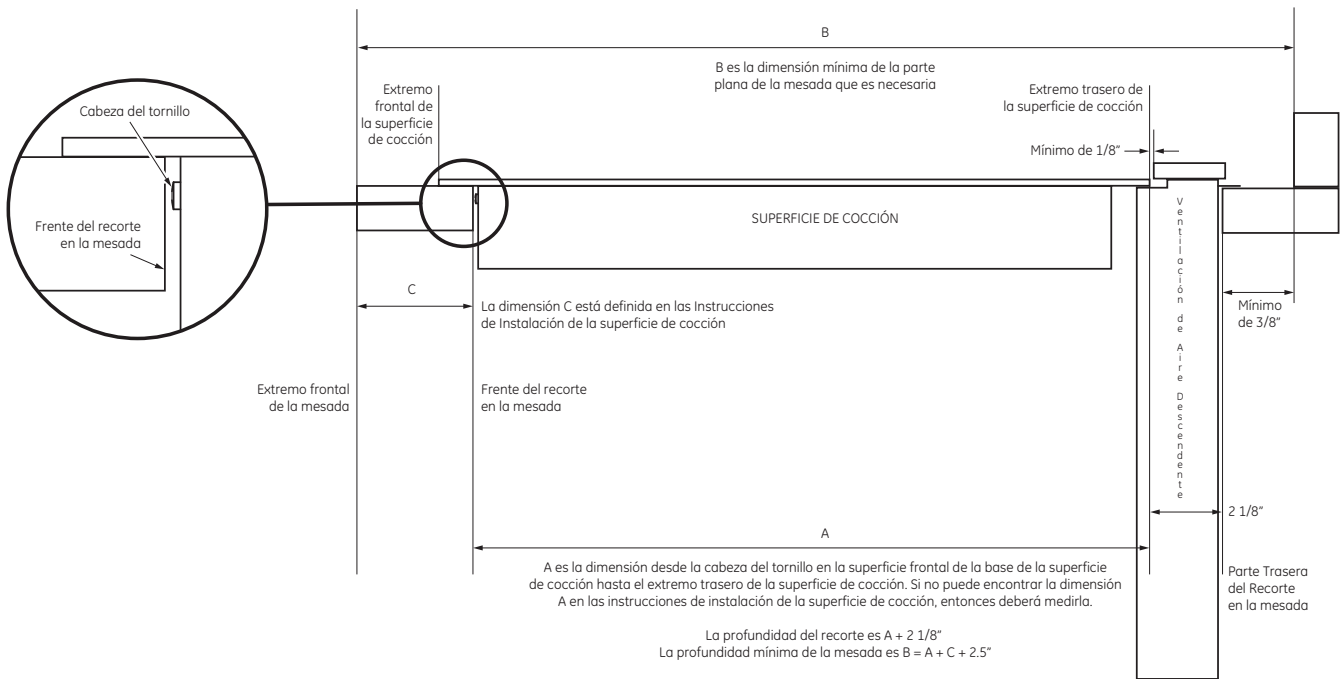
## ACCESORIOS

**JXR67** – Accesorio opcional para una ubicación remota interna del ensamble del motor/ calefactor. Use este kit cuando el ensamble del motor y el calefactor sean ubicados fuera del gabinete; por ejemplo debajo del piso del gabinete.

# Preparación para la instalación

## PREPARÁNDOSE PARA LA INSTALACIÓN

- Desembale la superficie de cocción y lea las Instrucciones de Instalación a fin de entender las dimensiones necesarias requeridas para la mesada y su ubicación, el espacio entre la superficie de cocción y el extremo frontal de la mesada, y los despejes necesarios con los gabinetes y paredes. El ancho del espacio requerido para el sistema de ventilación se muestra en la página 4. Confirme que haya suficiente espacio entre un lado y otro para contar con los espacios y despejes necesarios para la superficie de cocción.
- Utilizando las siguientes ilustraciones y tomando las medidas de la superficie de cocción para establecer la dimensión A, confirme que haya suficiente espacio entre el frente y la parte trasera (dimensión B) para colocar tanto la superficie de cocción como el sistema de ventilación. Observe que el extremo trasero de la superficie de cocción se superpondrá con la superficie frontal del sistema de ventilación (consulte la Página 5).
- De ser necesario más espacio para la mesada, consulte la sección de Soluciones Creativas en la página 8.
- Utilizando las ilustraciones en las páginas 5 y 7 y tomando las medidas del sistema de ventilación y la ubicación de la salida de la ventilación, confirme los espacios necesarios dentro del gabinete, la dirección del escape de la ventilación, y la alineación del escape de la ventilación con el conducto. De ser necesario para el despeje o la alineación del enlace del conducto, repositone la ubicación de la superficie de cocción, o modifique la ubicación de los muebles, o la tubería. Un kit de calefactor remoto JXR867 está disponible para mover el ensamble del calefactor fuera del área de los gabinetes.
- Confirme que los receptáculos eléctricos y las tuberías de gas estén correctamente ubicadas, y vuelva a ubicar las mismas de ser necesario.



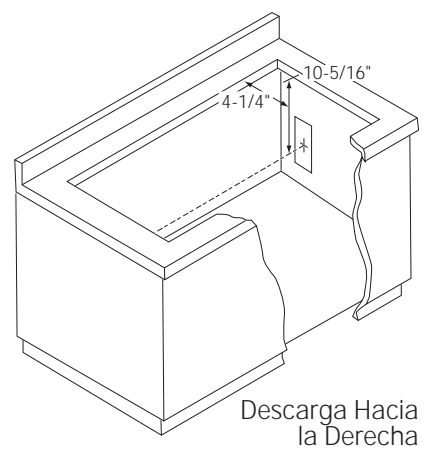
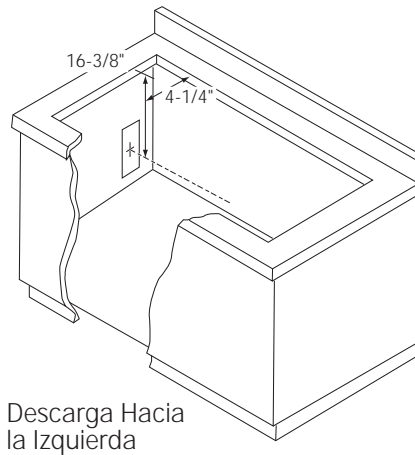
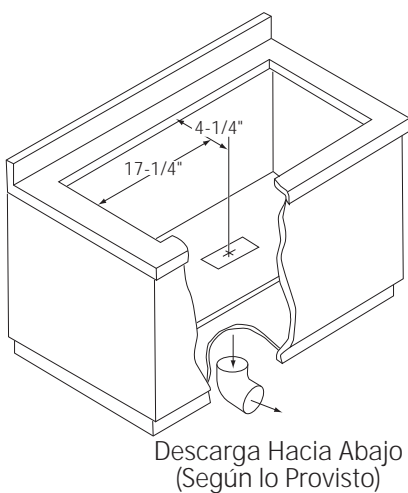
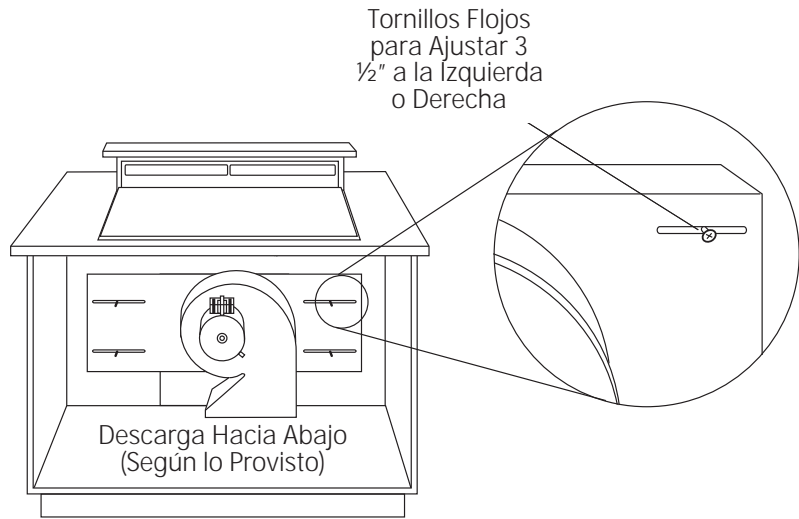
# Preparación para la instalación

## OPCIONES DE VENTILACIÓN

- La ventilación de aire hacia abajo es enviada con el tomacorriente de descarga apuntando hacia abajo y puede ser modificada hacia el lado izquierdo o derecho.
- El tomacorriente del calefactor está ajustado para la medida de 3 1/4" x 10" y puede ser modificado hasta 6".

### Ajustes de Lado a Lado:

Toda la placa de montaje del calefactor puede ser ajustada a 3 1/2" hacia la izquierda o derecha. Esto ayudará a alinear la descarga de la ventilación al conducto del hogar.



### Dirección de la Descarga

El ensamble del calefactor puede ser retirado y girado 90° para una descarga hacia la izquierda o la derecha.

- Un ajuste de 90° hacia la izquierda o derecha debe ser realizado antes de caer en la abertura de la mesada.

### Para cambiar a una descarga hacia la izquierda o derecha:

- Retire los 4 tornillos que sostienen el calefactor y el ensamble de la placa de montaje hasta la ventilación de aire hacia abajo. Tornillos de retención.
- Retire el ensamble del calefactor; dé vuelta el mismo para acceder a las 4 tuercas que sostienen el calefactor sobre la placa de montaje. Retire las tuercas.

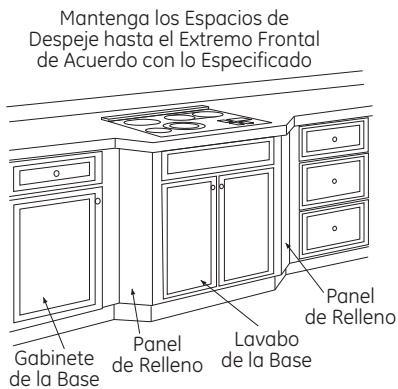
### IMPORTANTE: No levante el motor desde el cable de corriente.

- Gire el calefactor hacia la dirección de descarga izquierda o derecha y vuelva a instalar las 4 tuercas.
- Vuelva a instalar el calefactor y la placa de montaje con los tornillos originales.
- La campana debe ventilar hacia abajo o hacia la izquierda cuando sea instalada con una superficie de cocción a gas de GE o Monogram, a fin de evitar interferencias con la entrada de la superficie de cocción a gas.

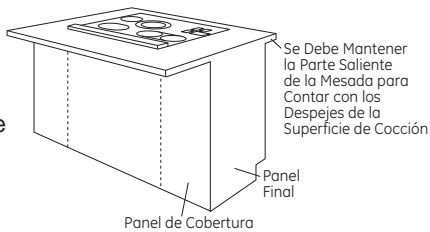
# Información de diseño

## SOLUCIONES CREATIVAS

- Cuando el diseño de la cocina requiera una instalación contra la pared, mueva el gabinete de la base hacia delante entre 3" y 5". Los paneles de relleno o las molduras complementarias pueden ser agregadas a los costados expuestos de los gabinetes.

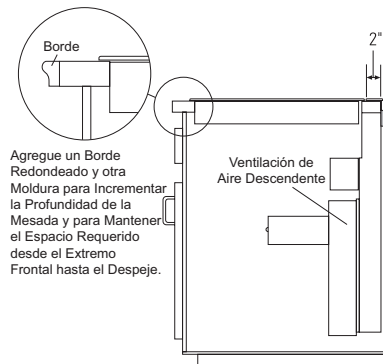


- En una isla o península, use una mesada extra profunda. La parte saliente del frente de la mesada puede ser ajustada para cumplir con los requisitos entre el mueble lindero y el espacio de recorte.

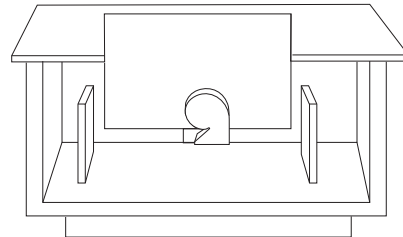


- Cuando el espacio de recorte requerido hasta el extremo frontal de la mesada sea superior a 2", agregue un borde redondeado al extremo frontal de la mesada. Incluya el ancho del borde al medir el espacio requerido desde el extremo frontal hasta el recorte. Al agregar el borde, la superficie de cocción puede ser movida hacia delante,

brindando profundidad adicional a la mesada y al espacio interno de los gabinetes.



- Cuando las distancias entre la ventilación y las paredes laterales internas de los gabinetes sean superiores a 5 1/2" y/o la pared trasera del gabinete interno sea superior a 4 1/2", se deberán construir paredes falsas dentro del gabinete para asegurar la ventilación con los soportes de estabilización (consulte los Recortes y Despejes en Preparación de la Instalación).



## PREPARACIÓN DE LA MESADA

Recorte la abertura. Mida cuidadosamente al recortar la mesada, asegurándose de que los costados de la abertura sean paralelos y que los recortes frontal y trasero sean exactamente perpendiculares a los costados.

El frente de la abertura debe despejar el riel del soporte frontal del gabinete, y la parte trasera de la abertura debe despejar el soporte trasero del gabinete.

Bisele todos los extremos expuestos del laminado decorativo a fin de evitar daños por astillado.

**Haga un radio en las esquinas del recorte y lime para asegurar que los extremos queden parejos y para prevenir la fisura de los bordes.**

Los extremos ásperos dentro de las esquinas que no fueron redondeadas y un ajuste forzado pueden contribuir a la formación de fisuras del laminado de la mesada.

# Información de diseño

## PREPARACIÓN DEL CONDUCTO

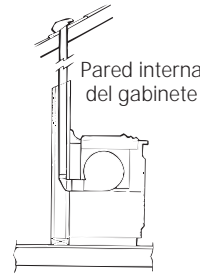
Determine el mejor recorrido para el conducto; el mismo puede ser conducido de diferentes formas dependiendo del esquema de la cocina.

**IMPORTANTE:** La salida de la descarga de aire descendente para esta unidad es rectangular, y con una medida de 3 ¼" x 10". Planifique el recorrido de forma consecuente.

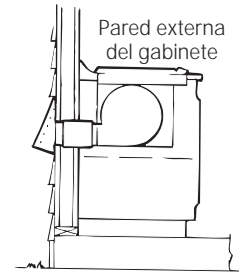
Serie de mesadas con distribución típica de tuberías.

A fin de maximizar el rendimiento de la ventilación del sistema de ventilación:

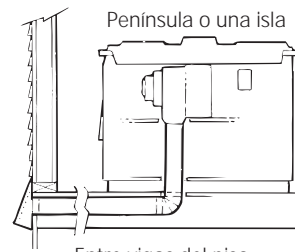
1. Minimice la longitud del conducto y el número de transiciones y codos.
2. Mantenga un tamaño de conducto constante.
3. Selle todas las juntas con cinta para conductos a fin de evitar pérdidas.
4. No utilice conductos flexibles de ningún tipo.



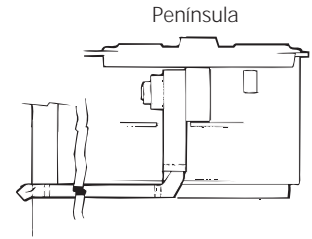
Pared interna del gabinete  
Pared interna hacia arriba hasta el techo o la parte saliente



Pared externa del gabinete  
Directamente hacia el exterior



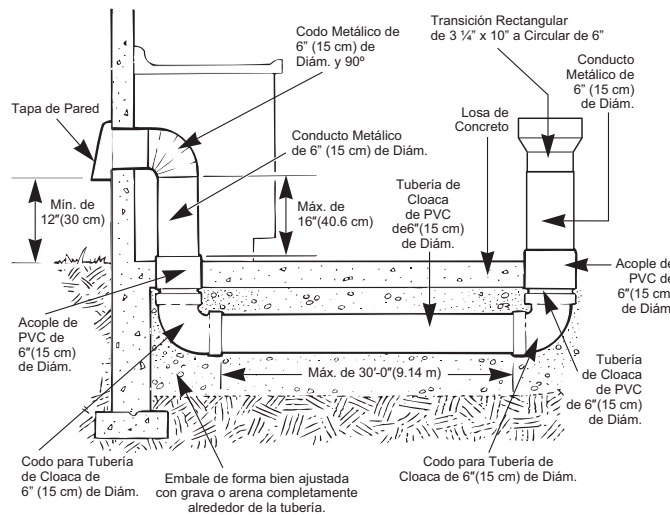
Península o una isla  
Entre vigas del piso



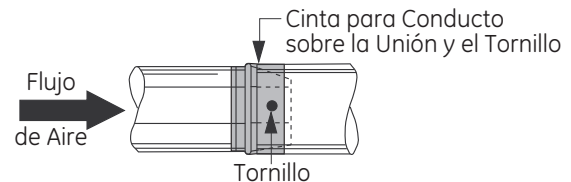
Península  
A través del espacio de las patas del gabinete

Arreglo opcional del conducto bajo una losa de concreto. Se deberá usar un conducto de PVC si se instalará bajo una losa de concreto.

**NOTA:** Tubería de cloaca de PVC tipo PSM 12454-B Norma 40 ASTM D1785.



Instale la tubería de modo que el trozo de conducto más cercano a la unidad de ventilación de aire descendente encaje DENTRO DE la siguiente pieza del conducto. Asegure las uniones con tornillos autorroscantes y coloque cinta para conductos alrededor de las uniones, a fin de sellar la salida de aire.

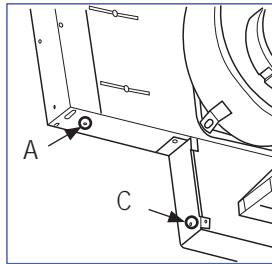
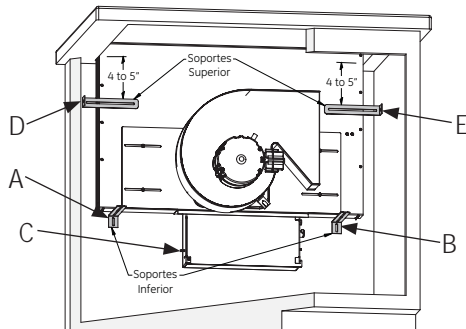


# Instrucciones de Instalación

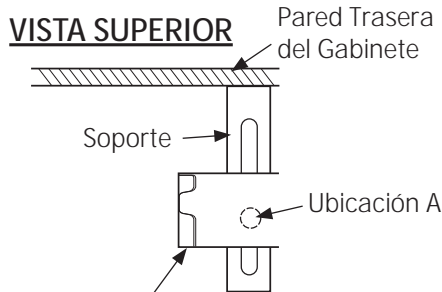
## 1 INSTALE LA VENTILACIÓN DE AIRE DESCENDENTE

**A** Dos soportes de estabilización deben ser instalados sobre cada lado de la ventilación de aire descendente.

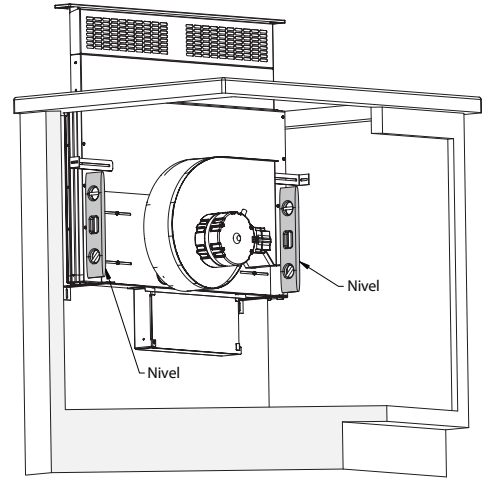
- Para una descarga del calentador hacia el lado derecho o directamente hacia abajo, ajuste los soportes de estabilización en las ubicaciones A, B, D y E.
- Para una descarga del calentador hacia el lado izquierdo, ajuste los soportes de estabilización en las ubicaciones B, C, D y E.



- B** Coloque la ventilación de aire descendente en el recorte de la mesada, de modo que la pestaña trasera de la ventilación se apoye sobre la mesada.
- C** Asegure los tornillos de los soportes de estabilización a las paredes trasera y lateral del gabinete.



- D** Confirme que el sistema de ventilación esté centrado y en escuadra con los gabinetes.



- E** Coloque la superficie de cocción en el recorte de la mesada. Debe haber un espacio mínimo de 1/8" entre el frente del borde de ventilación y la parte trasera de la superficie de cocción.
- F** Conecte el conducto. Use un techo o tapa de pared (con regulador) para uso con campanas de cocina y sistemas de ventilación.



# Instrucciones de Instalación

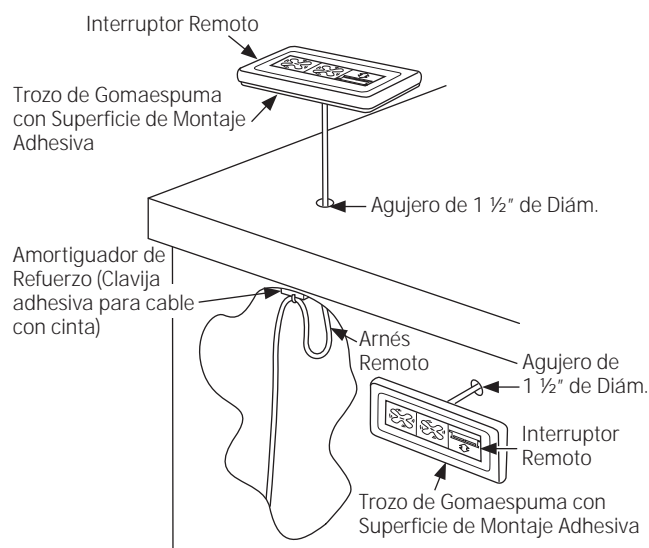
## 2 INSTALE EL INTERRUPTOR REMOTO

### ⚠ ADVERTENCIA RIESGO DE INCENDIO

El interruptor remoto debe estar ubicado de modo que pueda ser utilizado sin llegar a la superficie de cocción. Si esto no se hace, se podrá incendiar la ropa, lo cual puede ocasionar lesiones graves o la muerte.

#### Determine la ubicación del interruptor remoto.

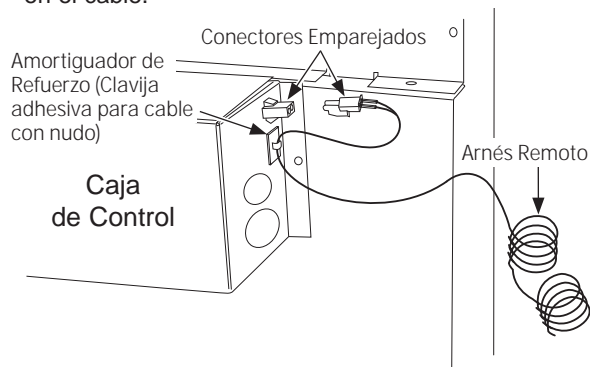
- Desconecte el interruptor remoto del arnés.
- El interruptor remoto debe ser ubicado de modo que la distancia vertical entre el piso y el interruptor remoto sea inferior a 48" y de más de 15".
- El arnés del interruptor remoto posee una longitud de 68" y debe ser instalado de modo que no sufra presión y que esté alejado de las partes móviles.



- Use el interruptor remoto para determinar el centro exacto del agujero, confirme que haya espacio detrás del agujero para que el conector y el cable puedan pasar, y perfora un agujero de 1/2" de diámetro.
- Si el interruptor remoto no es instalado en la mesada, asegúrese de que sea instalado en una ubicación que cumpla con los códigos locales y que sea de fácil acceso.

### Conecte el Interruptor Remoto al Arnés Remoto

- Pase el arnés remoto a través del agujero de 1/2" de diámetro y ajuste el conector del arnés al conector remoto.
- Retire el papel que cubre el trozo de gomaespuma del interruptor remoto y monte el interruptor remoto en la mesada, de modo que los conectores con interruptor permanezcan ubicados en el agujero de 1/2" de diámetro.
- Adhiera la clavija del cable adhesivo cerca del agujero de 1/2" de diámetro y ajuste el cable suelto con un nudo en el cable.



### Conecte el Cable a la Caja de Control

- Conecte los extremos de los cables emparejados.
- Coloque las clavijas de los cables adhesivos (provistos) cerca del conector de emparejamiento.
- Cuenten con aproximadamente un cable de 3" de longitud y adhiera el cable a la clavija con un nudo de cable. Esto actuará como un amortiguador de refuerzo.

# Instrucciones de Instalación

---

## 3 CONECTE LA CORRIENTE

Enchufe el cable de corriente en un receptáculo correctamente conectado a tierra.

## 4 INSTALE LOS FILTROS, CONTROLE EL FUNCIONAMIENTO

- Presione la tecla ON/OFF (Encender/ Apagar) en el control para incrementar la ventilación.
- Deslice los dedos en los agujeros de la ventilación. Levante la ventilación hacia arriba y empuje hacia delante.
- Deslice el filtro sobre los sensores y cierre la ventilación.
- Presione la tecla Fan Speed HIGHER (Velocidad del Ventilador MÁS ALTA) para activar el calefactor. Ajuste el calefactor presionando HIGHER (Más Alto) o LOWER (Más Bajo).
- Para bajar el nivel de ventilación, presione la tecla ON/OFF (Encender/ Apagar).

**NOTA:** No es necesario apagar el ventilador antes de bajar el nivel de ventilación. El ventilador se apagará de forma automática cuando la ventilación se baje. Cuando el ventilador no es apagado antes de bajar el nivel de ventilación, el mismo irá de forma automática a la velocidad configurada previamente cuando la ventilación se incremente hasta el máximo.

**IMPORTANTE:** La ventilación puede ser activada presionando las teclas del interruptor. No use fuerza excesiva ni objetos puntiagudos para activar el interruptor. Se podrán producir daños que anulen la garantía.



## Consejos para la Solución de Problemas... Antes de solicitar el servicio técnico

Ahorre tiempo y dinero! Primero revise los cuadros que aparecen en las siguientes páginas y es posible que no necesite solicitar reparaciones.

<b>Problema</b>	<b>Causa Posible</b>
El ventilador no funciona	El ventilador no está extendido por completo. Presione el botón Encender/Apagar (ON/OFF).
La ventilación no funciona	La ventilación no está enchufada en un tomacorriente. Enchufe la ventilación en un tomacorriente de 120V.
	El botón subir/bajar no accionó el motor de elevación. Sostenga el botón durante unos segundos para activar el motor.
	El interruptor de circuitos puede haber saltado. Verifique el interruptor de circuitos y reconfigúrelo si fuera necesario.
	Se requiere suficiente reposición (reemplazo) de aire para que los artefactos con salida de aire funcionen de acuerdo con sus calificaciones energéticas. Controle los códigos locales de construcción, que podrán requerir o aconsejar enfáticamente el uso de reposición de aire. Para acceder a soluciones de aire disponibles, visite <a href="http://GEAppliances.com">GEAppliances.com</a> .