

DEU2450RO



## FEATURES

Accepts outdoor-rated stainless steel accessory panels and handles to match other Sub-Zero and Wolf outdoor appliances

Ensures grilling essentials and cool drinks are close by and always preserved at the ideal temperature

Flexible storage options with one stationary and two adjustable shelves

Intuitive, on-door touch control panel offers ergonomic, convenient access to settings

Offers precise temperature control within one degree of setpoint, preserving dairy, produce, craft beer, and other perishables at their optimal temperature

Crafted with stainless steel inside and out, it provides the most luxurious, professional aesthetic

Cleanup is simple with nano-coated, spill-proof shelves

Clear storage drawer provides quick access to essential items

Wi-Fi enabled features enable remote temperature control, provide important door-ajar notifications, and assist with remote service diagnostics—all from your mobile device

This model was designed for more than the outdoors—it incorporates beautifully into indoor spaces as well

## ACCESSORIES

Dual Install Kit - Handle-to-Drawer

Dual Install Kit - Handle-to-Handle

Stainless Steel Dual Kickplate

Outdoor Stainless Steel Solid Door Panels

Accessories are available through an authorized dealer.  
For local dealer information, visit [subzero-wolf.com/locator](https://subzero-wolf.com/locator).



## PRODUCT DETAILS

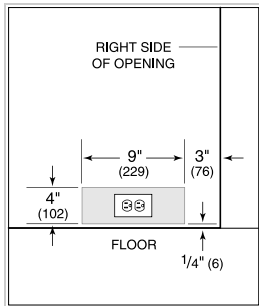
### REFRIGERATOR

- One stationary and two adjustable shelves
- Clear storage drawer

**PRODUCT SPECIFICATIONS**

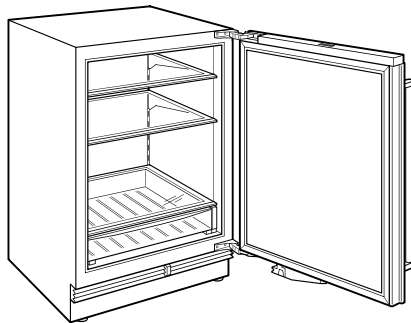
Model	DEU2450RO
Dimensions	24"W x 34 1/2"H x 23 1/8"D
Door Clearance	26 1/2"
Weight	153 lbs
Refrigerator Capacity	5.4 cu. ft.
Electrical Supply	115 VAC, 60 Hz
Electrical Service	15 amp dedicated circuit
Receptacle	3-prong grounding-type, GFCI

**ELECTRICAL**



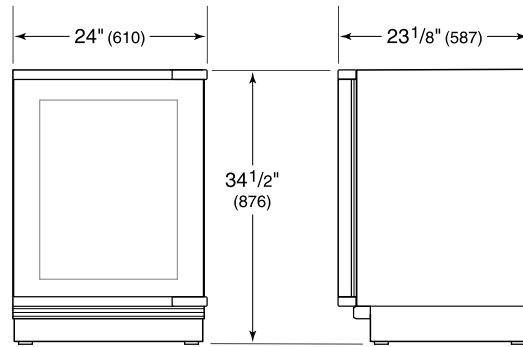
NOTE: Dimensions in parenthesis are in millimeters unless otherwise specified

**INTERIOR VIEW**

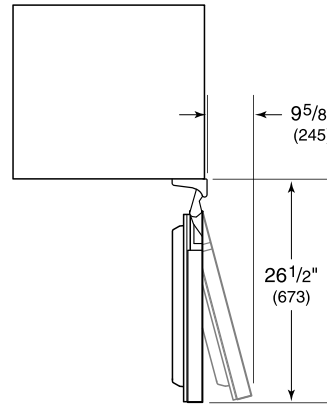


This illustration is intended for interior reference only and may not represent the exterior of the model being specified.

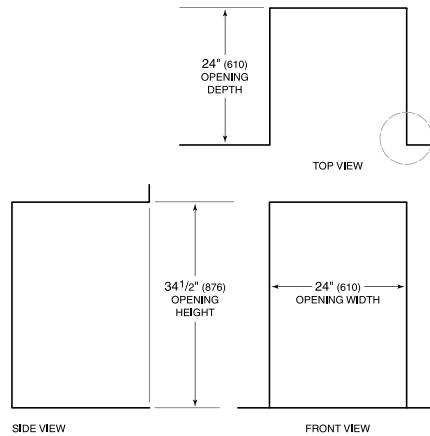
**DIMENSIONS**



HEIGHT DIMENSIONS ± 1/2" (13)



**STANDARD INSTALLATION**



NOTE: 3 1/2" (89) finished returns will be visible and should be finished to match cabinetry.

