



TRADITIONAL C-SPOUT HOT WATER FAUCET

Perrin & Rowe® Hot Water Dispensers

U.1325L-2

FEATURES

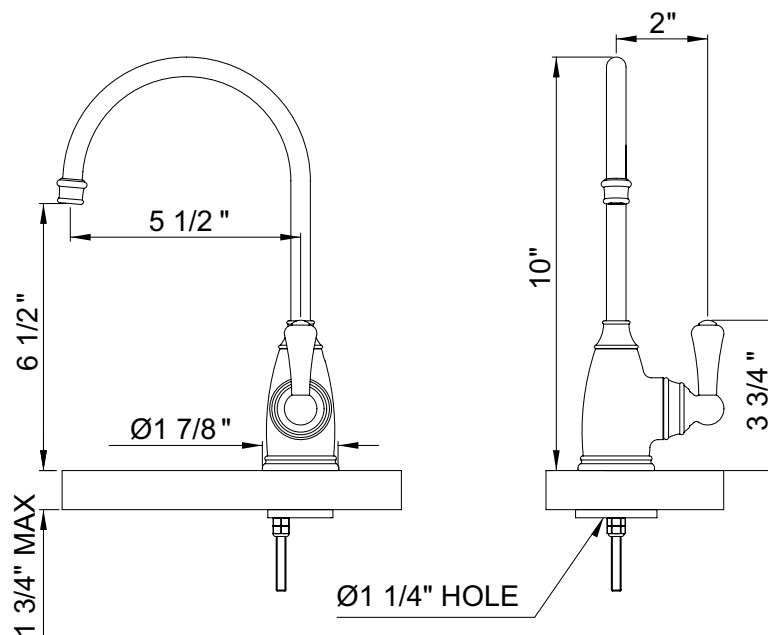
- Hot water faucet only
- Offers enhanced safety with special spring cartridge
- Long lasting brass construction
- Swivel spout for ease of filling containers
- 5 year warranty
- For use with HWD200 ISE high performance hot water tank and HWF1000 filter or any ISE tank system
- Inca Brass available by special order only

COLORS/FINISHES

- Polished Chrome
- Polished Nickel
- Satin Nickel
- English Bronze
- Inca Brass*

WARRANTY

- 5 Year Manufacturer Defect on Faucet
- 5 Year Warranty on Inca Brass Finish





HIGH PERFORMANCE HOT WATER TANK

Filtered Hot Water Dispensers

HWD200

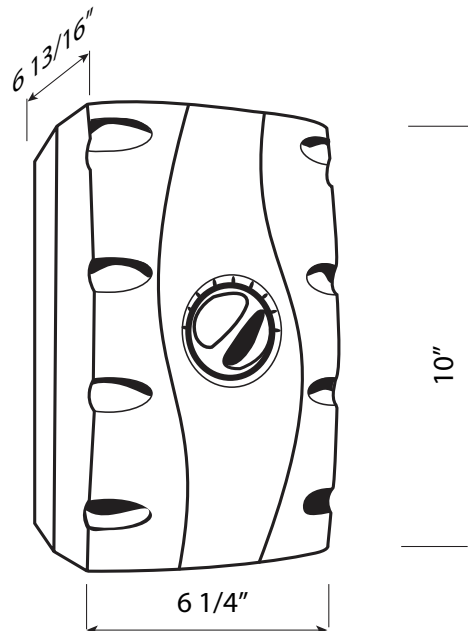
FEATURES

- Up to 100 cups/hour of near boiling water (210°F)
- Rapid recovery supported by 1,300 watt heating element
- Dry start protection for peace of mind
- Long life stainless steel construction, 84 oz. capacity
- Easy to adjust temperature control (190-210°F) and electronic thermostat with tight temperature control ($\pm 2^\circ\text{F}$)
- Tool free connections for easy installation
- 3-Year In-Home limited warranty
- Approvals: IAPMO, UPC and UL
- Tank cannot be ordered separately

COLORS/FINISHES

WARRANTY

- 3 Year Manufacturer Defect on Tank





INLINE FILTER COMPLETE WITH CARTRIDGE

Perrin & Rowe® Filtration featuring "Triflow® Technology"

U.1812-2

FEATURES

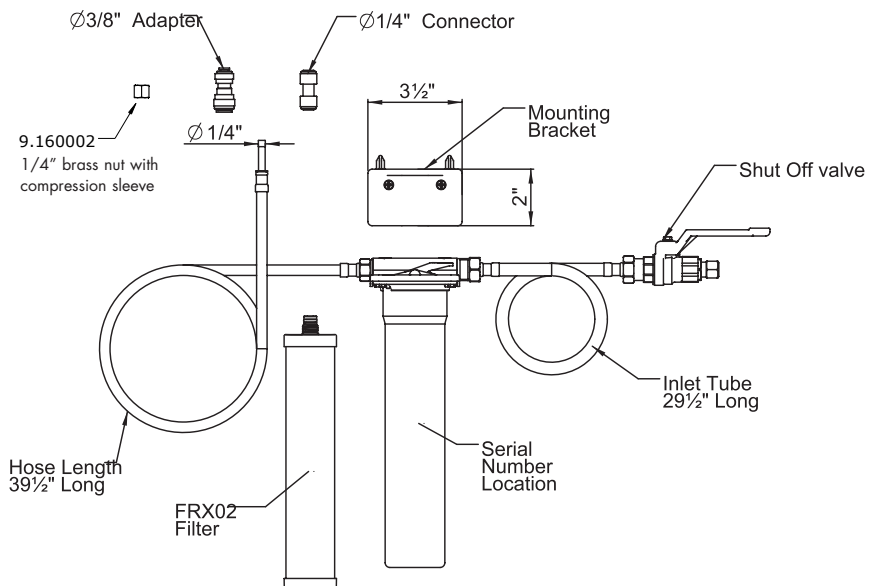
- For use with Triflow faucets
- Complete with stainless steel housing, wall mount bracket, connections and Katadyn filter
- Does not come with faucet
- Package includes:
 - 1/4" tube x 3x8" F hose
 - 1/2" F x 1/2" F hose
 - 1/4" brass nut and compression sleeve
 - 3/4" tube x 1/4" tube John Guest connection
 - 1/4" tube x 1/4" tube John Guest connection
 - Plastic mounting bracket
 - FRX02 filter
 - Stainless Steel housing, 2 part cannister with twist connection
 - 1/2" M x 1/2" M brass shut off valve
- Also for use with Country Kitchen filter faucets A1435 and A1635
- Installed under deck
- We recommend the use of a professional plumber for installation

FINISHES

- N/A

WARRANTY

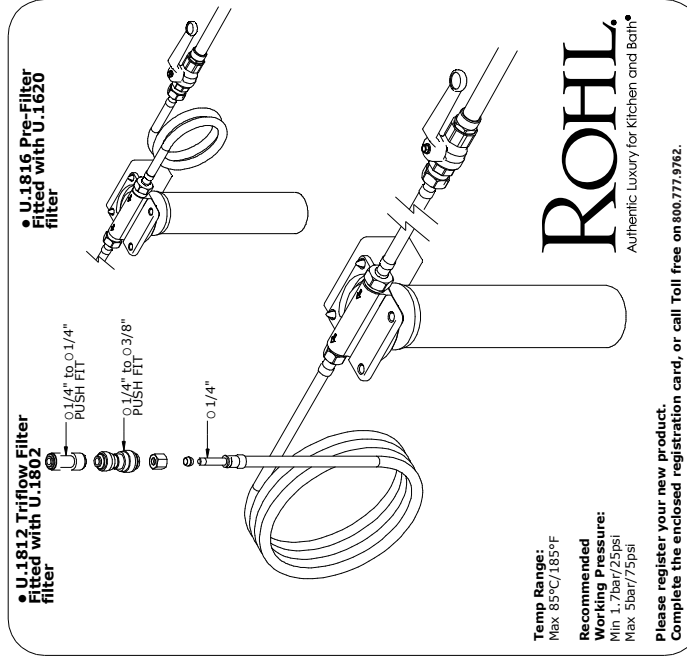
- Limited Lifetime



Installation Instructions

PERRIN & ROWE
MAYFAIR LONDON

The Triflow Kitchen Collection Filter Installation Guide



ROHL WARRANTY POLICY

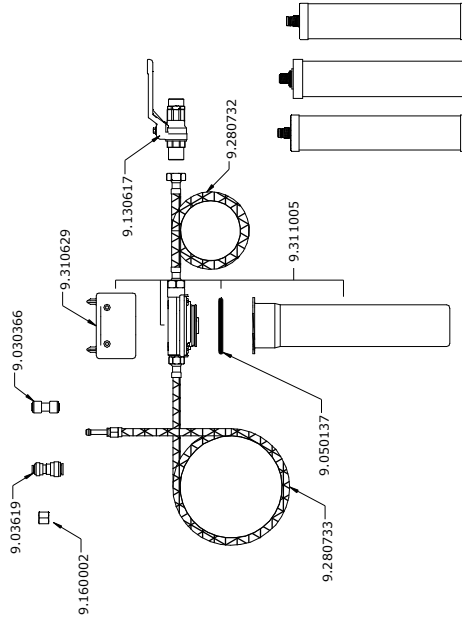
All products supplied by ROHL carry warranties against manufacturing defects.

Triflow products carry a Limited Lifetime Warranty.

ROHL LLC will provide free of charge, as its options, replacement part(s) or product (or a comparable alternative product) to replace those which have proven defective in materials or workmanship.

For full ROHL LLC WARRANTY, please contact: ROHL or visit www.rohlhome.com

SPARES



The U.1812 In-line Filter System has been tested & certified by the Water Quality Association according to NSF/ANSI 42 & 53 for the performance claims as verified and substantiated by the test data.



Katadyn of Switzerland
Exclusive manufacturers of the FRX02 Filter Cartridges for Triflow

Form and flow is a registered trademark of TCL Ltd. 90218100 Issue 6

ROHL
Authentic Luxury for Kitchen and Bath®

Cartridge Service
ROHL
3 Parker
Irvine, CA 92618
800-777-9762
www.rohlhome.com

Installation Instructions

The Perrin and Rowe Collection
Filter Installation Guide

Congratulations on the purchase of your Perrin and Rowe Triflow filtration Product. Correctly installed and with sensible care, this product will give you many years of trouble free service.

IMPORTANT INFORMATION

These are instructions for Triflow filters and the optional add on pre-filter version of the model you are installing. Please read carefully to ensure correct installation.

Before you proceed... We recommend you engage the services of a registered plumber to install this product.

In addition to the guide below it is essential that the written information overleaf is carefully read and understood.

Preparation for Installer

- Flush the plumbing system before installing the Kitchen product.

1 $\phi 3/8"$ Main Cold Feed

Allow room for the filter housing. Base of cabinet.

Position the filter housing leaving room around it for future access and cartridge replacement. Mark the screw holes ready for pilot holes. Leave room for the pre-filter housing if necessary.

Install the supplied stop valve in an easily accessible position. Allow water supply in the future, for servicing and cartridge replacement.

3 Flow direction

To Filtered Tap

Supplied hose

Tighten the hoses from the stop valve to the housings following the flow of the water shown on the cap.

If installing a Pre-filter the system flows from the stop valve to the Pre-filter and on to the filter housing and then up to the filter tap.

INSTALL PRE-FILTER HERE: (steps 7 to 8)

2

Flow direction

Check the hose length for distance

Filter U.1812

Remember to leave room for servicing the cartridge on both housings.

Drill the pilot holes and screw the filter housing bracket in position. Making sure to keep as level as possible.

4 Filter Connection Kit

$\phi 1/4"$ to $\phi 1/4"$ Connector

$\phi 1/4"$ to $\phi 3/8"$ Connector

To Filter Tap

Main cold feed

INSTALL PRE-FILTER HERE: (steps 7 to 8)

With the supplied connector kit connect the hose from the filter to the tap using one of the connectors.

5

Turn on the main supply valve. Flush the filtered water for 30 minutes to flush the system. Check the system is now ready for use.

For optimum filter performance when using the U.1802 filter cartridge use the water at a maximum flow of 0.4gpm to 0.5gpm max.

7 Pre-filter Installation

Flow direction

To Filter Tap

Filter U.1812

From Stop Valve

Pre Filter U.1816

Check the hose length for distance. Remember to leave room for servicing the filter on both housings.

If installing a Pre-filter follow steps 1-3 for the second bracket taking into account the hose length supplied from the Pre-filter to the filter.

6 To Winterize the Unit

Shut off mains supply. A stop valve was supplied with the system for this purpose, and will be located on the adjacent pipe work. If you plan to be away from home for extended periods, carry out the procedures above, to prevent the risk of freezing. Freezing will invalidate the warranty.

Turn the filtered lever on the faucet to the on position. This will confirm the water supply is off, and release the pressure in the system.

8

Flow direction

To Filtered Tap

Supplied hose

From Stop Valve

Filter U.1812

Pre Filter U.1816

Tighten the hoses from the stop valve to the housings following the flow of the water shown on the cap. When installing the Pre-filter the system to flows from the stop valve to the Pre-filter and on to the filter housing and then up to the filter tap.

IMPORTANT NOTES

Do not use with water, that is microbiologically unsafe or of unknown quality without adequate disinfection before it enters the system. Systems certified for cyst reductions may be used on disinfected waters that may contain filterable cysts.

Please ensure that the installation complies with applicable State & local plumbing codes.

System is to be supplied with cold water only.

CARE & MAINTENANCE

Wipe down after use to avoid water spotting and mineral build up.

3 Parker
Irvine, CA 92618
800-777-9762
www.rohlhome.com

ROHL
Authentic Luxury for Kitchen and Bath®