

# USE, CARE AND INSTALLATION GUIDE

Read all instructions before installing and operating this appliance

MODEL: TYPHOON AK2100, AK2136

IMPORTANT SAFETY NO

TICE

---

## WARNING

---

### Installation

The installation instruction in this manual is intended for qualified installers, service technicians or persons with similar qualified background. **DO NOT** attempt to install this appliance yourself. Injury could result from installing the unit due to lack of appropriate electrical and technical background.

All electrical wiring should be properly installed, insulated, and grounded. Overly accumulated grease on old duct work should be cleaned out or duct work should be replaced if necessary to avoid the possibility of grease fire. Check all sections and joints on duct work to insure proper connection and all joints should be properly taped.

### Operations

Read all instructions in this manual before operating the appliance. Save these instructions for future reference.

**ALWAYS** leave safety grills attached in place at all times. Operating blowers could catch on to hair, fingers, and loose clothing.

Keep unit and residue containers clean from grease accumulation from time to time. **NEVER** dispose foreign substances into the blowers. Do not dispose cigarette ashes or ignitable substances into the blowers.

### Cleaning

Use with extreme caution while performing the Self Cleaning Function and safety grills are removed. Beware of fingers, hair, loose clothing from getting in the blowers and **NEVER** leave children unattended.

**NEVER** disassemble parts to clean without proper instructions. Disassembly are recommended to be performed by qualified personnel only. We are not responsible for injury due to negligence and the warranty of the unit automatically expires due to improper maintenance. Call our Service Center for removal instructions.

## Controls Overview



**Zephyr Model AK2100 & AK2136  
Touch Control Module**

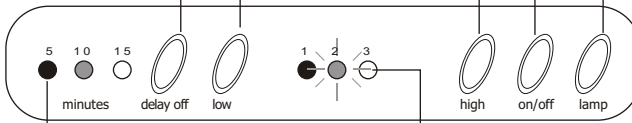
**(A) turns blowers on/ off**

**(B) adjust to higher speed level (1 to 6)**

**(C) adjust to lower speed level (6 to 1)**

**(D) turns lights on/off and dim (night light)**

**(E) shuts off hood in 5, 10 or 15 minutes**



**(F) Indicator: indicates 5, 10, or 15 minutes delay when lit**

**(G) Indicator: indicates level of blower speed from 1 to 6**

Level 1 (low) - Indicator 1 flashing

Level 2 - Indicator 1 lit

Level 3 - Indicator 2 flashing

Level 4 - Indicator 2 lit

Level 5 - Indicator 3 flashing

Level 6 (high) - Indicator 3 lit

## Blower Controls

Turn on the blowers by pressing “on/off” once.

Adjust level of speed (1 to 6) by pressing “high” or “low”.

### Speed Indicator

The speed indicator will show the speed the blowers are operating at as follow:

- Level 1(low) -Indicator 1 flashing
- Level 2 - Indicator 1 lit
- Level 3 - Indicator 2 flashing
- Level 4 - Indicator 2 lit
- Level 5 - Indicator 3 flashing
- Level 6 (high) - Indicator 3 lit

*Note: The control is equipped with a speed setting memory module. When turning on the blowers, the speed level will start at the speed setting last memorized.*

Turn off the blowers by pressing “on/off” again.

## Lights Controls

Turn on halogen lamps by pressing “lamp”.

Press 2nd time will dim to night light.

Press again to turn lamps off.

*Note: Use type HR16 (E27) halogen bulbs only. Max 35W*

**press:**



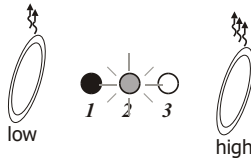
**turns blowers on**

**press:**



**adjust speed from low to high (1 to 6)**

**indicator:**



**press:**



**turns blowers off**

**press:**



**turns lights on**

**press again:**



**turn lights down (night light)**

**press again:**



**turns lights off**

### Timed Delay Off

Press "delay off" once to turn all range hood operation off in 5 minutes.

Indicator "5" will be lit

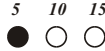
*press once:*



delay off

*turns off in 5 minutes*

**Indicator**



delay off

*indicator "5" will be lit*

Press "delay off" twice to turn all range hood operation off in 10 minutes.

Indicator "5" & "10" will be lit

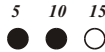
*press twice:*



delay off

*turns off in 10 minutes*

**Indicator**



delay off

*indicator "5" & "10" will be lit*

Press "delay off" the third time to turn all range hood operation off in 15 minutes.

Indicator "5", "10" & "15" will be lit

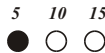
*press again:*



delay off

*turns off in 15 minutes*

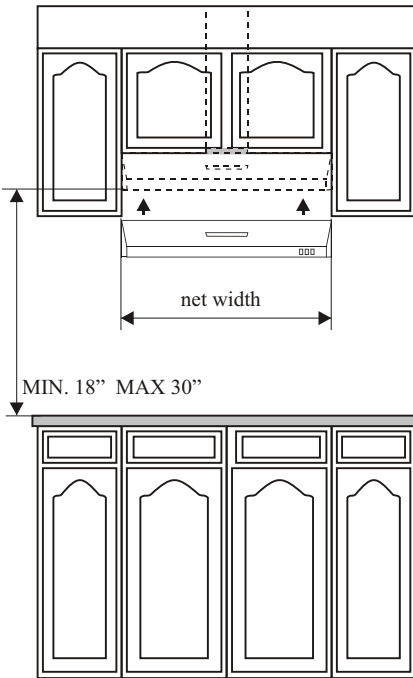
**Indicator**



delay off

*indicator "5", "10" & "15" will be lit*

## CLEARANCES



Minimum clearance above range should be no less than 18" from the range surface to the range hood's base. Maximum height are recommended not to exceed 30" for maximum efficiency.

Net width on all models are call out width less 1/4".

Call Out Size	Net Width
30"	29-3/4"
36"	35-3/4"

*Note: Refer Manufacturers' height clearance requirements on all high btu and professional ranges.*

## DUCT REQUIREMENT

<b>Duct Type</b>	<b>Round</b>
<b>Duct Size</b>	<b>7" Minimum</b>
<b>Duct opening</b>	<b>Vertical</b>

Minimum duct size should be no less than 7". Smaller duct size, long duct run and turns will reduce hood performance and efficiency.

Use single wall rigid type galvanized pipes only, do not use flexible type ducts.

Generally, use minimum duct size recommended (7"). Reduce the number of turns and bends. If long duct run (beyond 20' vertical and 35' horizontal) is required, increase

size of duct to 8 or 9".

If a reducer is required, use a long reducer instead of a short pancake reducer. Install reducers as far away from duct opening as possible.

If turns are required:

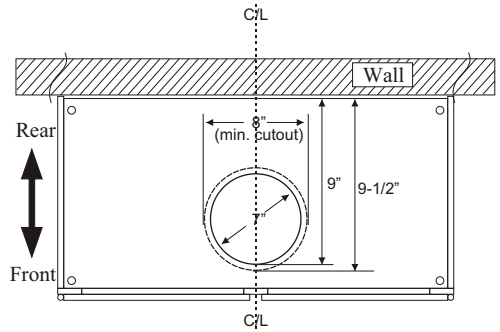
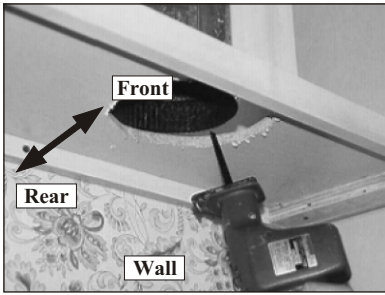
Install first elbow as far away from opening as possible.

Between elbows, install as far as possible.

Use two 45 elbow (installed as far apart as possible), instead of one 90 elbow.

Increase duct size.

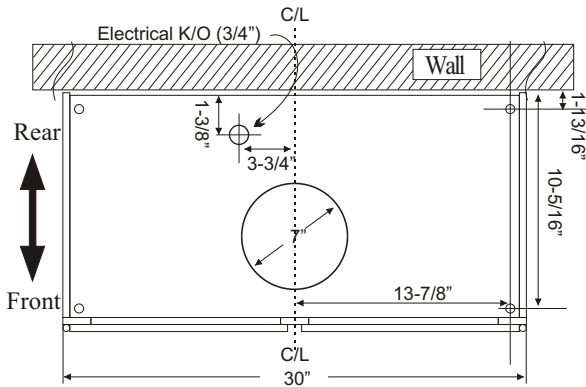
## DUCT OPENING



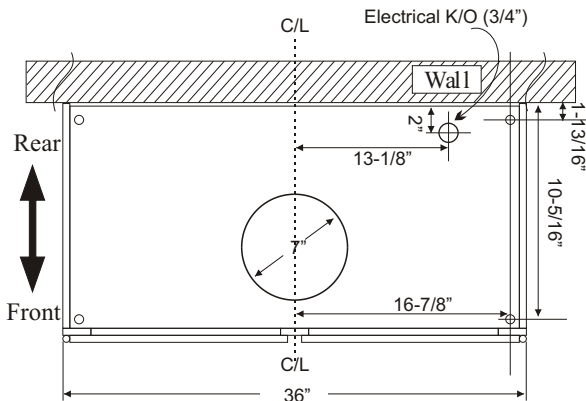
30" &amp; 36" models (AK2100, AK2136)

## ELECTRICAL &amp; DRILL LOCATIONS

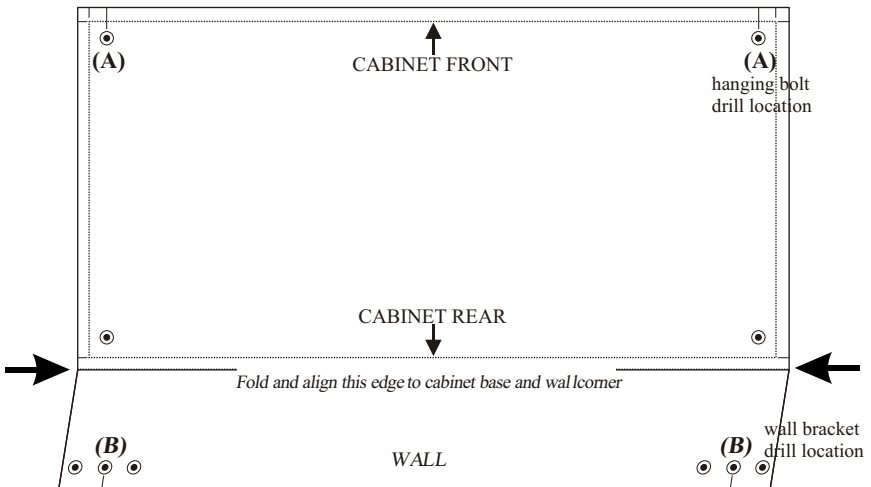
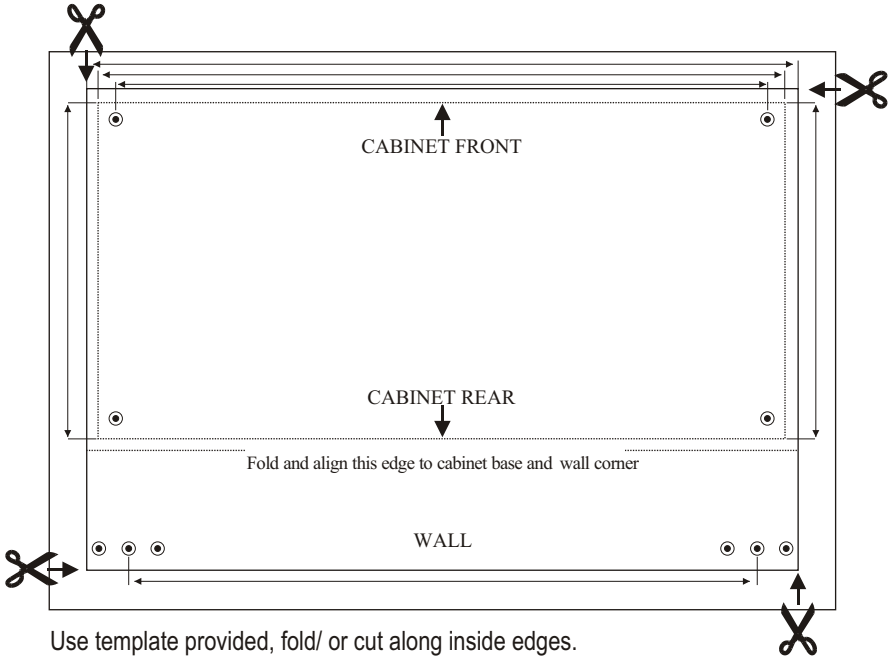
30" models (AK2100)



36" models (AK2136)



## Preparing with Template



Fold along line marked "Fold and align this edge to cabinet base and wall corner".

**\*\*Note: Do not mistake with edge marked "Cabinet Rear".**



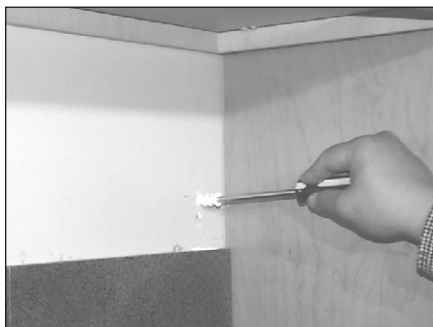
1. Align folded edge to cabinet base and wall corner



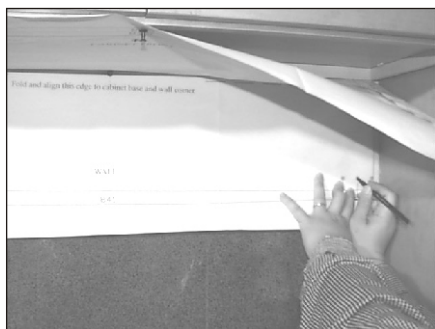
4. Remove template and drill location (A) with 1/4" or 3/8" drill bit.



2. Mark 2 hanging bolt drill locations (A) on cabinet (see template on page 7).



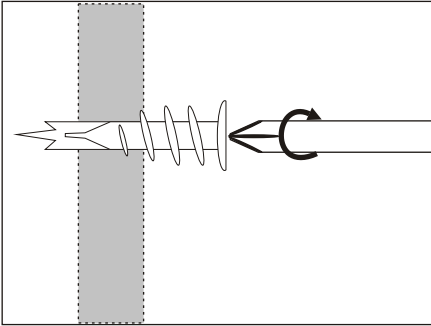
5. Install EZ anchors to (B) as marked. (see next diagram for EZ anchor installation).



3. Mark 2 bracket drill locations (for anchors) (B) on wall.



## EZ Anchors



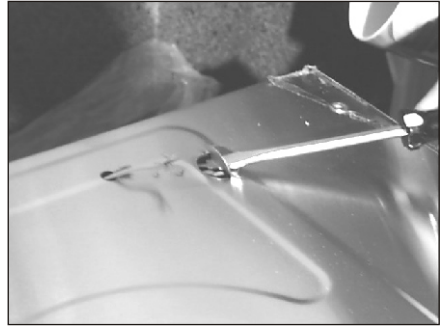
6. Tap EZ anchor tip into marked drywall locations, turn with screwdriver until seated flush.

*Note: use EZ anchors provided only on hollow drywall applications (minimum drywall thickness 1/2"). If a stud or wood surface is present, fasten anchors with screws directly into stud or plywood. For all other wall types (concrete, brick, tiles etc.), use appropriate anchors for mounting.*



7. Fasten 2 wall brackets provided onto anchors

## Electrical Connection



8. Pry open 3/4" electrical knock out



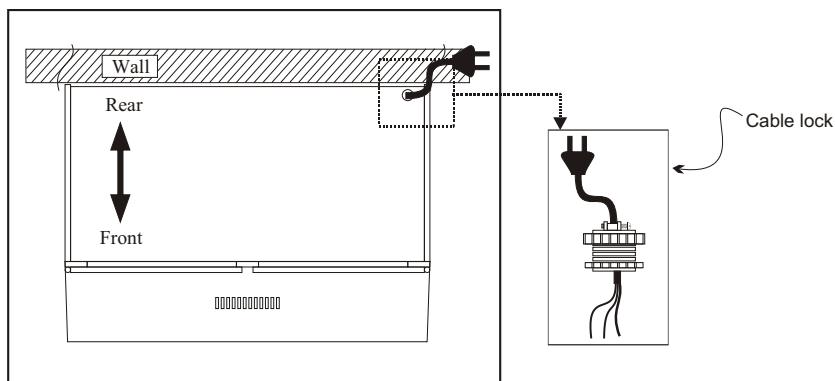
9. Connect power source to hood (make sure power source is turned off).

### **DANGER**

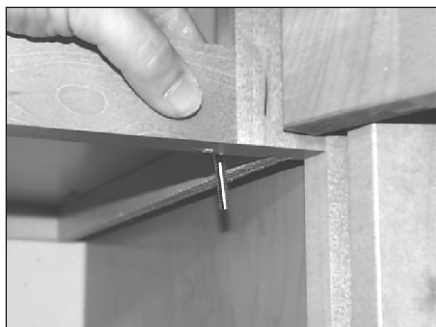
*All electrical work must be performed by qualified electricians only. Do not attempt to wire the appliance if you are inexperienced with and/ or without proper electrical working background and qualifications.*

*All electrical work must meet local codes and requirements for safety.*

## Electrical Connection



A cable locking connector (not supplied) is also required by local codes. Check with local requirements and codes, purchase and install the appropriate connector in order to meet all mandatory codes.



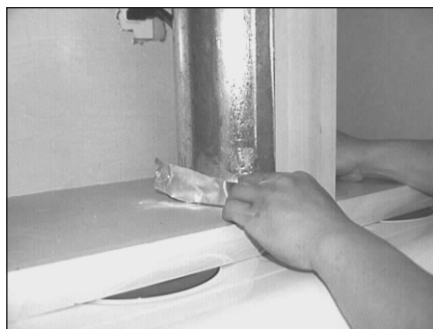
10. Insert bolts w/ washers provided through drill out (A)



12. Tilt hood up and fasten left and right bolts onto hood



11. Lift hood and hook rear opening slots onto 2 rear brackets previously installed on wall



13. Connect duct to hood opening, tape all joints with aluminum duct tape and inspect for leakage

## CONVERTIBLE OPTIONS

### Cyclone series: AK6000, 6036, 6042, 6048

Zephyr's Cyclone series are equipped with the option of a 6" vertical discharge, 3-1/4x10" vertical discharge, or 3-1/4x10" rear discharge. Additional accessories are provided to convert to either of the above discharge methods.

#### Convertible Options

Vertical discharge	7" round
Vertical discharge	3-1/4 x 10"
Horizontal rear discharge	3-1/4 x 10"

#### Convertible Accessories

Round to rectangular transition adaptor
Rectangular to round transition adaptor (pre-mounted)
Gasket (pre-mounted)
Rectangular rear cap (pre-mounted)
3-1/4 x 10" starting collar

## 3-1/4 x 10" Vertical Discharge



1. Remove pre-mounted 7" transition adaptor on duct opening. Leave attached gasket in its original place.



2. Place rectangular transition adaptor as shown over gasket and by first installing 4 screws on half round section.



3. Mount the 3-1/4 x 10" starting collar on top of transition piece with remaining screws.

**3-1/4 x 10" Rear Discharge**

4. At rear of range hood, remove all screws on pre-mounted rear rectangular cap and remove cap with gasket.



5. Remove top pre-mounted transition piece. Leave attached gasket in its original place.



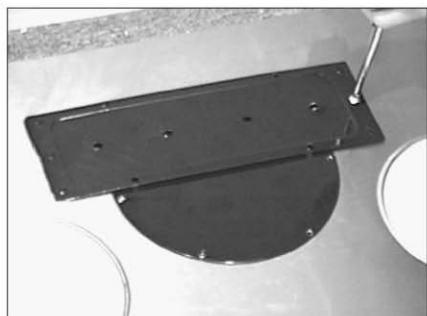
6. Remove 2 arch blocks through top opening.



7. Mount Starting Collar (provided) at rear discharge opening with gasket previously removed.

**3-1/4 x 10" Rear Discharge****Option 2: (for flush cabinet base)**

Mount rectangular transition piece at opening with gasket as shown.



Mount rectangular cap (previously removed) on top of transition adaptor.

### Self Clean Feature

All Zephyr model AK2100 & 2136 hoods are filter-less and are designed with a self clean feature. The centrifugal blower system automatically liquefies cooking residue accumulated in its internal housing. All systems are equipped with dishwasher safe clean cups for its self clean function.

Cooking residue are often automatically liquefied and can accumulate in the clean cups from everyday use. Nevertheless, grease from cooking could also dry and adhered in its internal housing. Running the self clean function periodically will flush out accumulated residue in the range hood's internal housing.

### Cleaning Frequency

Cleaning should be approximately once a month under normal use.

### Detergent

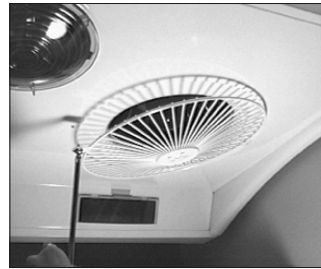
Grease cutting detergent such as '409' or its equivalent are recommended.

## Cleaning

### Safety Grill

Remove both safety grills for cleaning by simply loosening Philips screws. Clean safety grills in dishwasher under normal wash cycle.

**WARNING:** Use with extreme caution as both safety grills are removed. Beware of blowers catching on to hair, loose clothing, and fingers. NEVER leave children unattended.

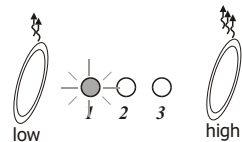


### Self Clean

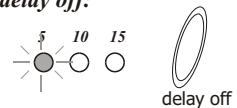
Turn both blowers on lowest speed for cleaning.

Set Timed Delay Off to 5 minutes as indicated.

**set to lowest speed:**

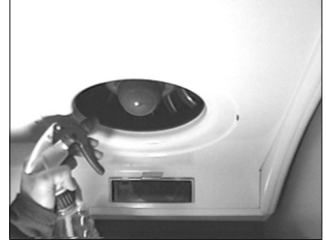


**set to 5 min. delay off:**



With nozzle on 'spray', squirt '409' detergent directly onto blower blades 30-35 times.

Repeat with second blower. Allow self cleaning to complete in 5 minutes. *(If desired, spray water to rinse off detergent after completion of the cleaning cycle and run for another few minutes)*



Remove clean cups. Clean w/ mild detergent or in dishwasher under normal wash cycle.



### **Cleaning Tip:**

*Fill residue containers ¼ full with water before cleaning or during regular use. This will help to prevent residue from drying and tacking on cup surface.*

## Replacing Light Bulbs

Light bulbs (included) are 35W halogen (TYPE HR16 )bulbs.

Remove by unscrewing light bulb counter clockwise, and replace with type HR16-35W halogen bulbs.

## Surface Maintenance

Clean all surface residue with '409' or mild detergent and wipe with cotton cloth.

Stainless steel surface could further be clean and polished with any stainless steel polish or glass cleaners.

1. Upon completion of installation, nothing works.

Check if unit has been plugged in, make sure that all power has been turned back on and all electrical wiring are properly connected.
2. Light is on but blowers are not turning at all or seems to be scraping on something.

Blower blade unit might have been mounted too low and scraping the bottom or jammed. Loosen hex screw on blade unit and adjust to proper height.
3. When blowers are on, something seems to be loose and spinning around inside.

There might have been foreign particles left within the discharge opening or rocks, leaves, branches, etc. that might have fell in from old duct work. Disconnect duct work to inspect and remove any foreign particles.
4. Vibration when blowers are on

Unit might not have been secured properly on cabinet. Or cabinet might need to be further secured into studs on wall.
5. Blowers noise

Our blowers are designed to perform up to 850 cfm. A properly functioning motor itself should be relatively quiet. Nevertheless, due to vacuum created by the suction, noise level up to 6 sones will be generated when both blower unit is turned on at its maximum speed. Employ both blowers at maximum speed only when needed (heavy pan frying, wok cooking etc.) Employing low speeds will suffice moderate cooking such as steaming, broiling etc.
6. Light is not working

Light bulb might need to be replaced. On some instances, the fragile bulb could have been damaged during the shipping process. Replace light bulb.
7. No grease is collected in the clean cups

Grease flow will vary by the amount, methods and types of cooking. If pan-frying is frequent accompanied by steaming, vapor from steam will liquefy accumulated grease in its internal housing and flows in the clean cups. No grease collected in the residue containers is normal until the self clean function is completed. Clean blowers approximately once a month as instructed to avoid clogging.
8. No grease is collected in the residue containers after self cleaning.

Tubes connected to the internal housing might have been clogged due to lack of cleaning. Or hood might not have been leveled when installed. Unclog tubes or re-install hood
9. Safety grill are dirty

The self clean feature cleans only the internal housing within the range hood. Remove safety grill to clean in dishwasher and clean all surface periodically as instructed.
10. Blowers seemed weak

Check duct size used, duct size should be at least 7" . Range hood WILL NOT function properly with the insufficient duct size.  
Check if duct is clogged or if damper unit is not opening properly. A tight mesh on a side wall cap unit might also cause restriction to the air flow.



11. Cooking fumes and smoke dissipates before it reaches the blower.

Use a damper type sidewall cap.  
Reduce the number of elbows and length of duct work or increase duct size (see page 5).  
Check if all joints are properly connected, sealed and taped.

Check if unit is installed at the recommended height (page 5). The range hood should also be able to cover the entire cooking area from left to right and most areas from rear to front.  
Open doors and windows might also distract air flow before it reaches the blowers.  
Make sure blowers are on high speed for heavy cooking.



**For other questions and further assistance please call our service department with  
the product's registered serial number or write to:**

**ZEPHYR CORPORATION  
Service Department**

**1.888.880.VENT (8368) 415.282.1211  
1551 Minnesota Street. San Francisco, CA 94107**

---