

# HydroTap Cube BCS Tap

Product Spec Sheet



## HydroTap Cube Boiling/Chilled/Sparkling (BCS) Tap

Elevate your home hydration with the HydroTap Cube BCS Tap and enjoy instant access to filtered boiling, chilled and sparkling water from the tap.

The HydroTap Cube offers a contemporary twist on a classic with its angular square shape which is softened by its rounded corners.

This tap style can be installed over the sink as a secondary tap or over our optional design range front/drip tray. The HydroTap Cube tap is available in seven different finishes from a classic chrome to a modern gunmetal.

## HydroTap Cube BCS Tap - Available Finishes



Chrome



Brushed  
Chrome



Matte  
Black



Brushed  
Gold



Nickel



Brushed  
Nickel



Gunmetal

## Product Order Codes for HydroTap Cube BCS Taps

HydroTap Cube BCS Tap in Chrome	01034238
HydroTap Cube BCS Tap in Brushed Chrome	01034239
HydroTap Cube BCS Tap in Matte Black	01034240
HydroTap Cube BCS Tap in Brushed Gold	01034242
HydroTap Cube BCS Tap in Nickel	01034243
HydroTap Cube BCS Tap in Brushed Nickel	01034244
HydroTap Cube BCS Tap in Gunmetal	01041863

Please see individual product spec sheets for command center and accessory product specs and order codes.

# HydroTap Cube BCS Tap

Product Spec Sheet



## Installation Requirements

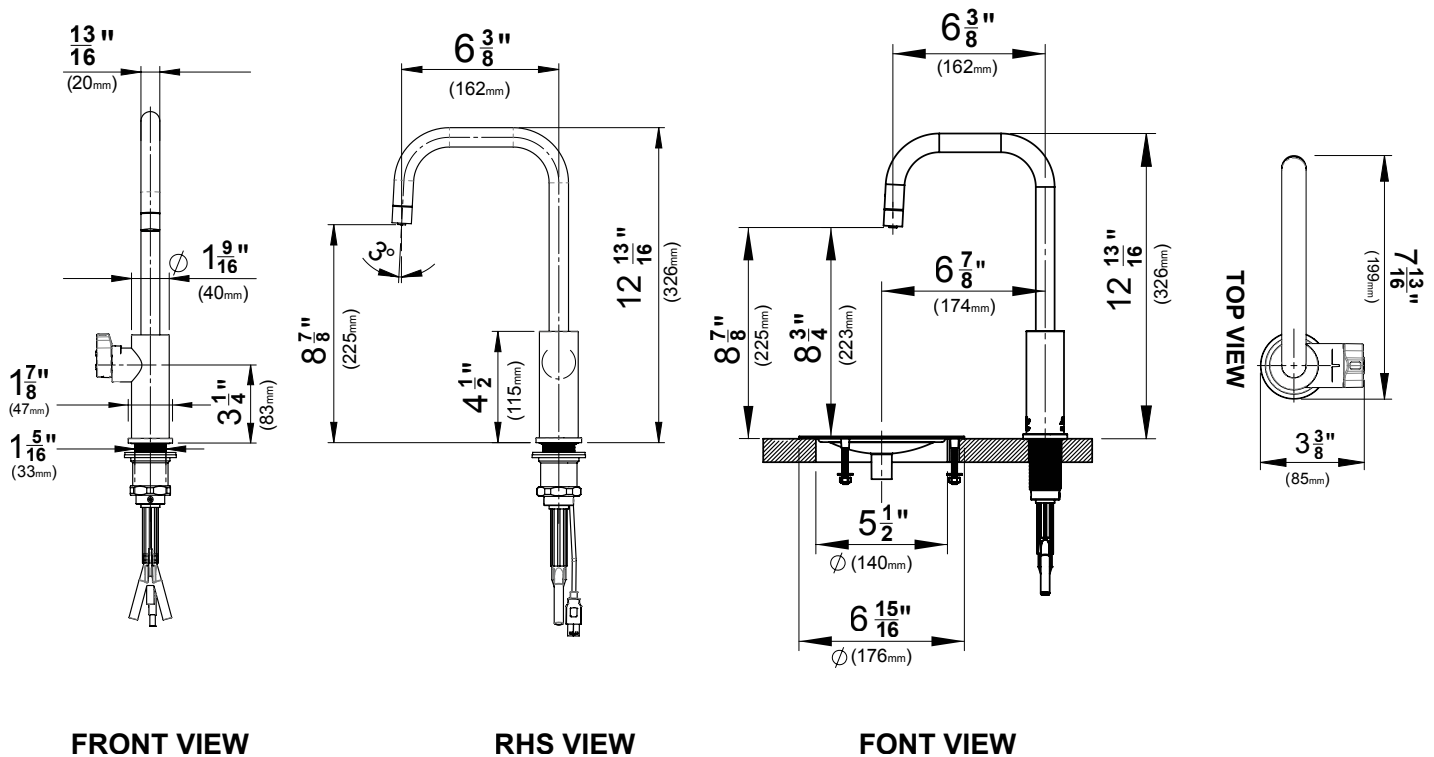
The HydroTap is a pump-driven system so the installation of the Tap must be within 3' (0.9m) of the base command center. Installation on most countertops is straightforward however, some stone countertops may require a specialized cutting service.

If using a drip tray (font) accessory, suitable drainage to a trapped waste is required within 3' (0.9m) of the installation. Sufficient space and clearance to install the HydroTap as detailed in the product installation guidelines is required.

Installation and connection of your HydroTap must be carried out by a qualified person, observing all local, state, & federal regulations.

## HydroTap Cube BCS - Tap Specs

<b>Style:</b>	HydroTap Cube Tap (BCS) - includes boiling water safety lock
<b>Hole Size:</b>	1 - 3/8" / 35mm
<b>Tap Height:</b>	12 13/16" (326mm) fixed height from counter to apex of spout (when installed over a drain font); 10 7/8" (276mm) and 12 13/16" (326mm) adjustable height (when installed over sink)
<b>Installation:</b>	Over sink as a secondary tap or on optional font/drip tray; Handle orientation - left or right side
<b>Flow Rate:</b>	Max 1.8gpm / 6.8lpm
<b>Sparkling Water Flow Rate</b>	0.4 gpm / 1.5lpm
<b>Product Certifications:</b>	IAPMO - NSF/ANSI 372, 42, 53, CSA B438.1, ASSE 1023, ASSE 1087; cUL; CEC
<b>ADA Compliant:</b>	Yes



Installation by Zip Professional Service is available in select metro areas and can be arranged with a phone call to 1-833-233-2358 or by emailing [wecare@na.zipwater.com](mailto:wecare@na.zipwater.com). Technical Installation assistance over phone or video call can be obtained by calling our customer care line at 833-233-2358, Monday through Friday 8am - 5pm Central Time.