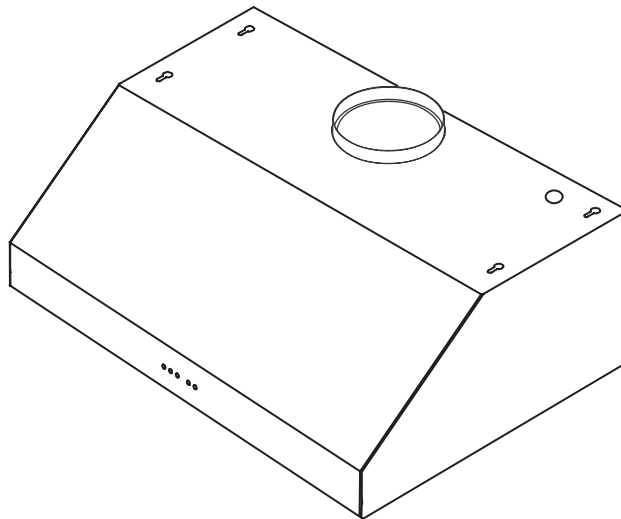


Use, Care, and Installation Guide

Tempest I

AK7000AS
AK7036AS
AK7042AS



Model number: _____
Serial Number: _____
Date of Purchase: _____
Sales Dealer: _____

SEP07.0101 © Zephyr Corporation

READ AND SAVE THESE INSTRUCTIONS

SAFETY NOTICE 2-3

LIST OF MATERIALS 4

INSTALLATION

 Ducting Calculation Sheet 5

 Mounting Height & Clearance 6

 Ducting Options 7

 Specifications 8

 Mounting the Range Hood 9-10

 Horizontal Conversion 11-12

 PBD-1100A Dual Blower 13-14

ACCESSORY INSTALLATION

 Heat Lamp Kit 15

FEATURES & CONTROLS

 Touch Controls & Features 16

MAINTENANCE

 Cleaning and Filter Removal 17

 Lights 18

TROUBLESHOOTING 19

LIST OF PARTS AND ACCESSORIES 20

Important Safety Notice

WARNING

TO REDUCE THE RISK OF FIRE OR ELECTRIC SHOCK, DO NOT USE THIS FAN WITH ANY SOLID-STATE CONTROL DEVICE.

WARNING

TO REDUCE THE RISK OF FIRE ELECTRIC SHOCK, OR INJURY TO PERSONS, OBSERVE THE FOLLOWING:

- a. Use this unit only in the manner intended by the manufacturer, if you have questions, contact the manufacturer.
- b. Before servicing or cleaning unit, switch power off at service panel and lock panel to prevent power from being switched on accidentally. When the service disconnecting means cannot be locked, securely fasten a prominent warning device, such as a tag, to the service panel.

CAUTION

For general ventilating use only. Do not use to exhaust hazardous or explosive materials and vapors. Take care when using cleaning agents or detergents. Suitable for use in household cooking area.

WARNING

TO REDUCE THE RISK OF RANGE TOP GREASE FIRE:

- a. Never leave surface units unattended at high settings. Boilovers cause smoking and greasy spillovers that may ignite. Heat oils slowly on low or medium settings.
- b. Always turn hood ON when cooking at high heat or when frying food
- c. Clean ventilating fans frequently. Grease should not be allowed to accumulate on fan or filter.
- d. Use proper pan size. Always use cookware appropriate for the size of the surface element.
- e. Keep fan, filters and grease laden surfaces clean.
- f. Use high setting on hood only when necessary.
- g. Don't leave hood unattended when cooking.
- h. Always use cookware and utensils appropriate for the type of and amount of food being prepared.

WARNING

TO REDUCE THE RISK OF INJURY TO PERSONS IN THE EVENT OF A RANGE TOP FIRE, OBSERVE THE FOLLOWING:

- a. SMOTHER FLAMES with a close-fitting lid, cookie sheet, or metal tray, then turn off the burner. BE CAREFUL TO PREVENT BURNS. If the flames do not go out immediately, EVACUATE AND CALL THE FIRE DEPARTMENT.
- b. NEVER PICK UP A FLAMING PAN – You may be burned.
- c. DO NOT USE WATER, including wet dishcloths or towels – a violent steam explosion will result.
- d. Use an extinguisher ONLY if:
 - 1. You know you have a Class ABC extinguisher, and you already know how to operate it.
 - 2. The fire is small and contained in the area where it started.
 - 3. The fire department is being called.
 - 4. You can fight the fire with your back to an exit

WARNING

TO REDUCE THE RISK OF FIRE, ELECTRIC SHOCK OR INJURY TO PERSONS, OBSERVE THE FOLLOWING:

- a. Installation work and electrical wiring must be done by qualified person(s) in accordance with all applicable codes and standards. Including re-rated construction.
- b. Sufficient air is needed for power combustion and exhausting of gases through the duct (chimney) of fuel burning equipment to prevent back-drafting. Follow the heating equipment manufacturer's guideline and safety standards such as those published by the National Fire Protection Association (NFPA) and the American Society for Heating, Refrigeration and Air Conditioning Engineers (ASHRAE) and the local code authorities.
- c. When cutting or drilling into wall or ceiling, do not damage electrical wiring and other hidden utilities.
- d. Ducted fans must always vent to the outdoors.
- e. If this unit is to be installed over a tub or shower, it must be marked as appropriate for the application and be connected to a GFI (Ground Fault Interrupter protected branch circuit).
- g. NEVER place a switch where it can be reached from a tub or shower.
- h. Make sure the power is off before installing, wiring or maintaining.

WARNING

TO REDUCE THE RISK OF FIRE, USE ONLY METAL DUCTWORK.

CAUTION

To reduce risk of fire and to properly exhaust air outside - Do not vent exhaust air into spaces within walls, ceilings, attics, crawl spaces or garages.

OPERATION

Always leave safety grilles and filters in place. Without these components, operating blowers could catch onto hair, fingers and loose clothing.

The manufacturer declines all responsibility in the event of failure to observe the instructions given here for installation, maintenance and suitable use of the product. The manufacturer further declines all responsibility for injury due to negligence and the warranty of the unit automatically expires due to improper maintenance.

***NOTE: Please check www.zephyronline.com for revisions before doing any custom work.**

ELECTRICAL REQUIREMENTS

Important:

Observe all governing codes and ordinances.

It is the customer's responsibility:

- To contact a qualified electrical installer.
- To assure that the electrical installation is adequate and in conformance with National Electrical Code, ANSI/NFPA 70 latest edition* or CSA standards C22.1-94, Canadian Electrical Code, Part 1 and C22.2 No.0-M91 - latest edition** and all local codes and ordinances.

If codes permit and a separate ground wire is used, it is recommended that a qualified electrician determine that the ground path is adequate.

Do not ground to a gas pipe.

Check with a qualified electrician if you are not sure the range hood is properly grounded.

Do not have a fuse in the neutral or ground circuit.

*National Fire Protection Association Batterymarch Park, Quincy, Massachusetts 02269

** CSA International 8501 East Pleasant Valley Road, Cleveland, Ohio 44131-5575

This appliance requires a 120V 60Hz electrical supply and connected to an individual properly grounded branch circuit protected by a 15 or 20 ampere circuit breaker or time delay fuse. Wiring must be 2 wire with ground. Please also refer to Electrical Diagram on product.

A cable locking connector (not supplied) might also be required by local codes. Check with local requirements, purchase and install appropriate connector if necessary.

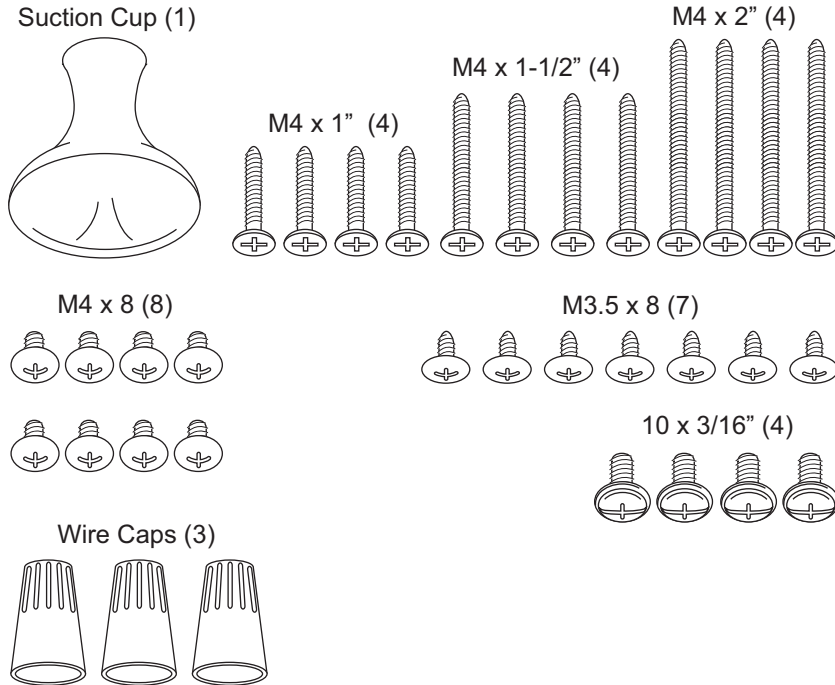
List of Materials

MODELS: AK7000AS, AK7036AS, AK7042AS

PARTS SUPPLIED

- 1 - Hood
- 2 - Baffle Filters (3 - AK7036AS and AK7042AS)
- 2 - Halogen light bulbs (pre-installed)
- 1 - Single internal blower and blower plate w/damper (pre-installed)
- 1 - Rectangular starting collar (for single blower horizontal ducting)
- 1 - 6" round to rectangular transition (for single blower horizontal ducting)
- 1 - 6" round metal cap (for single blower horizontal ducting)
- 2 - Blower brackets (for single blower horizontal ducting)
- 1 - Hardware package



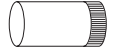
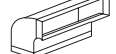







HARDWARE PACKAGE CONTENTS













PARTS NOT SUPPLIED

- Ducting, conduit and all installation tools
 - Cable connector (if required by local codes)
 - Heat lamp kit
 - Dual blower kit (*PBD-1100A)
- * requires single blower from Tempest I to complete installation.

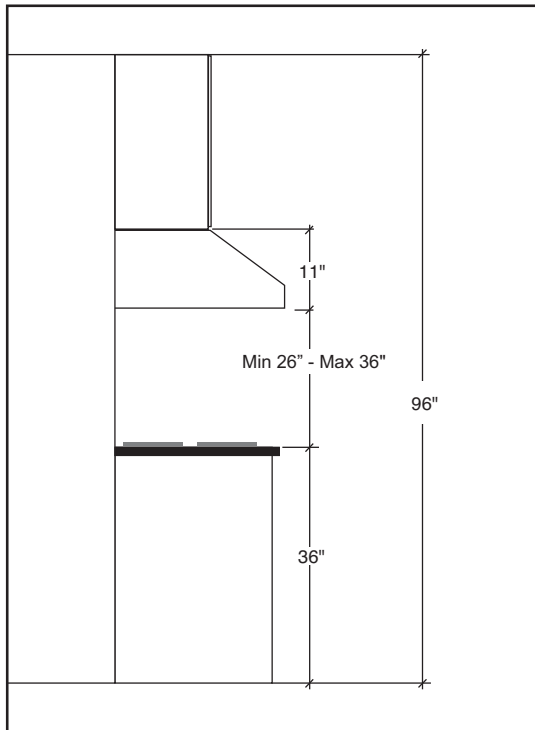
Installation – Ducting Calculation Sheet

Duct pieces		Equivalent number length x used =	Total
	3-1/4" x 10" Rect., straight	1 Ft. x () =	Ft.
	6" Round, straight	1 Ft. x () =	Ft.
	7"-10" Round, straight	1 Ft. x () =	Ft.
	3-1/4" x 10" Rect. 90° elbow	15 Ft. x () =	Ft.
	3-1/4" x 10" Rect. 45° elbow	9 Ft. x () =	Ft.
	3-1/4" x 10" Rect. 90° flat elbow	24 Ft. x () =	Ft.
	3-1/4" x 10" Rect. wall cap with damper	30 Ft. x () =	Ft.
	3-1/4" x 10" Rect. to 6" round transition	5 Ft. x () =	Ft.
	3-1/4" x 10" Rect. to 6" round transition 90° elbow	20 Ft. x () =	Ft.
	6" Round, 90° elbow	15 Ft. x () =	Ft.
	6" Round, 45° elbow	9 Ft. x () =	Ft.
Subtotal column 1 =			Ft.

Duct pieces		Equivalent number length x used =	Total
	6" Round wall cap with damper	30 Ft. x () =	Ft.
	6" Round, roof cap	30 Ft. x () =	Ft.
	6" round to 3-1/4" x 10" rect. transition	1 Ft. x () =	Ft.
	6" round to 3-1/4" x 10" rect. transition 90° elbow	16 Ft. x () =	Ft.
	7" - 10" Round, 90° elbow	15 Ft. x () =	Ft.
	7" - 10" Round, 45° elbow	9 Ft. x () =	Ft.
	7" - 10" Round wall cap with damper	30 Ft. x () =	Ft.
	7" - 10" Round, roof cap	30 Ft. x () =	Ft.
	7" round to 3 1/4" x 10" rect. transition	8 Ft. x () =	Ft.
	7" round to 3-1/4" x 10" rect. transition 90° elbow	23 Ft. x () =	Ft.
		Subtotal column 2 =	Ft.
		Subtotal column 1 =	Ft.
		Total ductwork =	Ft.

Maximum Duct Length: For satisfactory air movement, the total duct length should not exceed 100 equivalent feet.

Installation – Mounting Height & Clearance



Minimum mount height between range top to hood bottom should be no less than 26".

Maximum mount height should be no higher than 36".

It is important to install the hood at the proper mounting height. Hoods mounted too low could result in heat damage and fire hazard; while hoods mounted too high will be hard to reach and will lose its performance and efficiency.

If available, also refer range manufacturer's height clearance requirements and recommended hood mounting height above range.

Vertical Ducting:

- 6" round minimum (single blower)
- 10" round minimum (dual blower)

Horizontal Ducting:

- 3-1/4"x10" minimum (single blower)
- No horizontal option available for dual blower

DUCTING

A minimum of 6" round or 3-1/4" x 10" rectangular duct must be used to maintain maximum air flow efficiency for single blower and 10" round duct for dual blower.

Always use rigid type metal ducts only. Flexible ducts could restrict air flow by up to 50%.

Also use calculation (on page 5) to compute total available duct run when using elbows, transitions and caps.

ALWAYS, when possible, reduce the number or transitions and turns. If long duct run is required, increase duct size from 6" to 7" or 8".

If turns or transitions are required; install as far away from hood duct output and as far apart, between the two as possible.

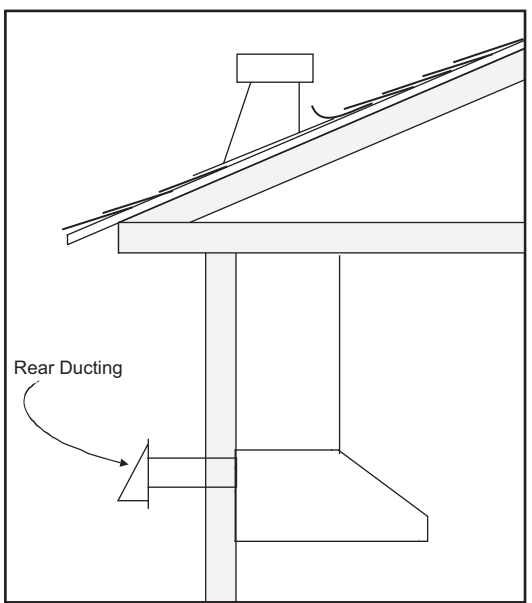
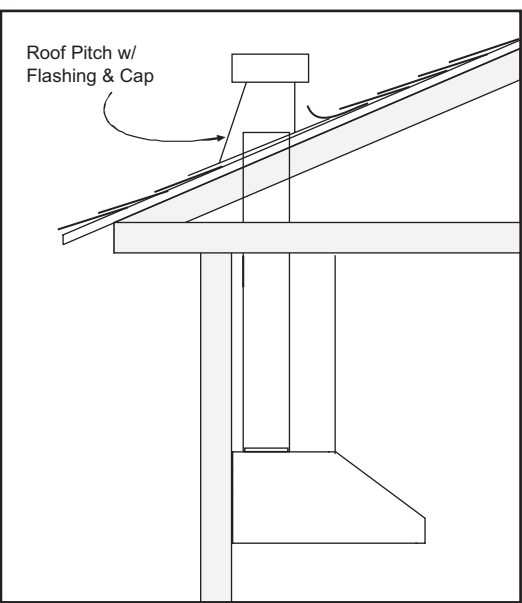
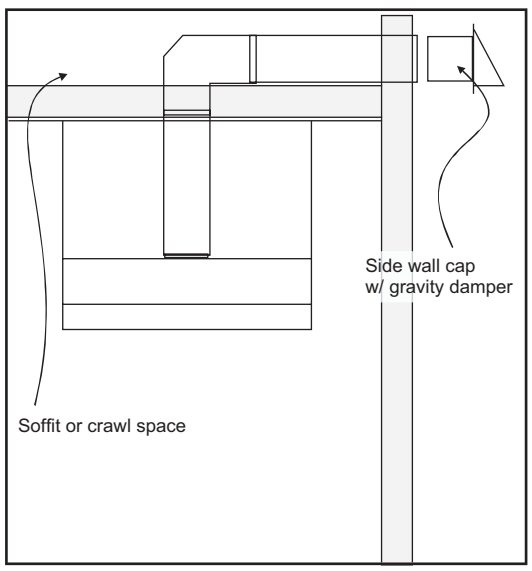
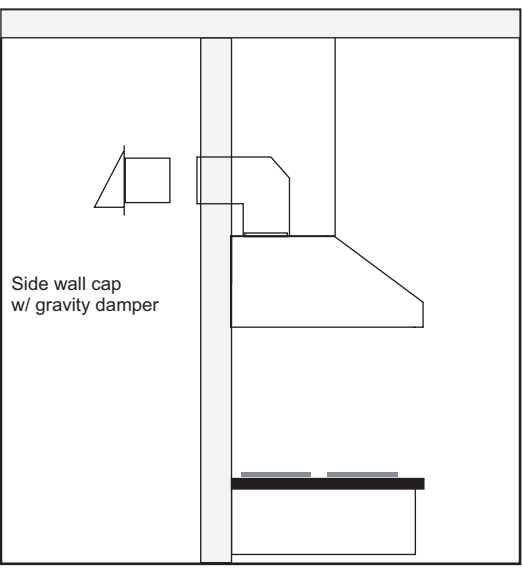
WARNING FIRE HAZARD

NEVER exhaust air or terminate duct work into spaces between walls, crawl spaces, ceiling, attics or garages. All exhaust must be ducted to the outside.

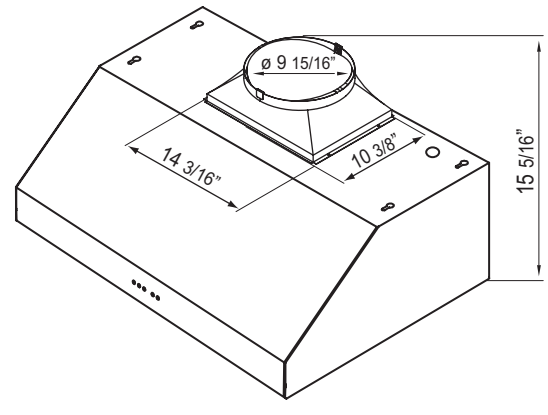
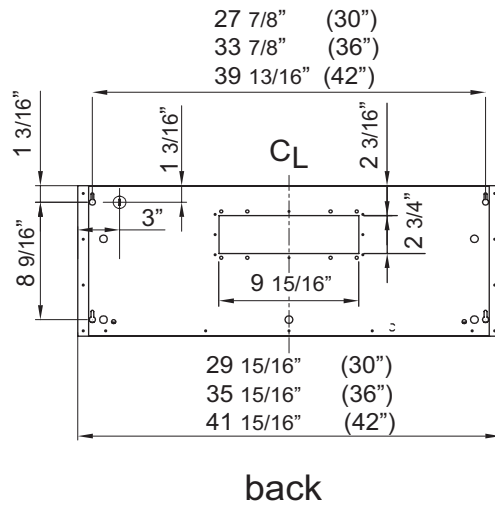
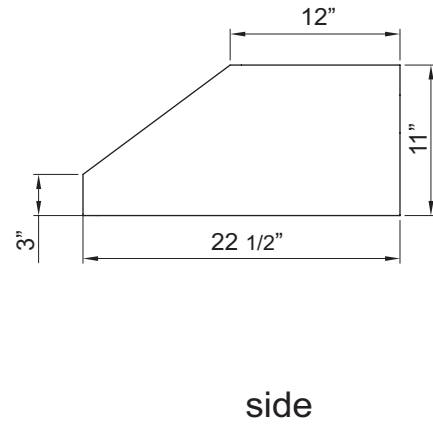
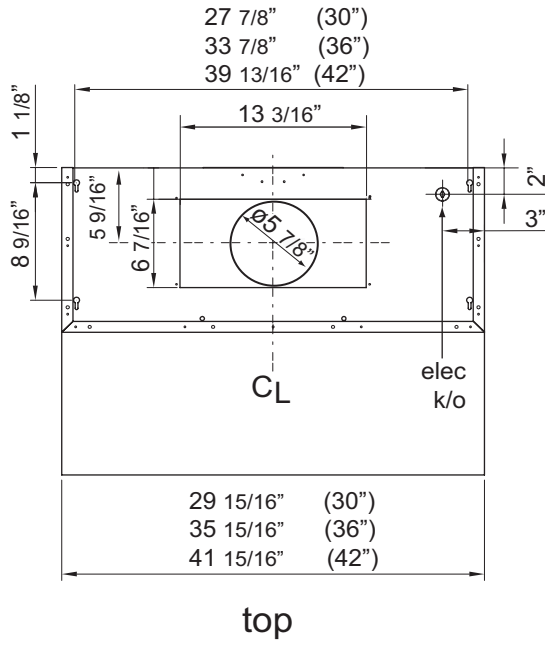
Use metal ductwork only.

Fasten all connections with sheet metal screws and tape all joints with certified Silver Tape or Duct Tape.

Some Ducting Options



Installation – Specifications



with 10" dual blower transition

**ELECTRICAL
WARNING**

All Electrical work must be performed by qualified electrician or person with similar technical know how and background.

For personal safety, remove house fuse or open circuit breaker before beginning installation. Do not use extension cord or adapter plug with this appliance.

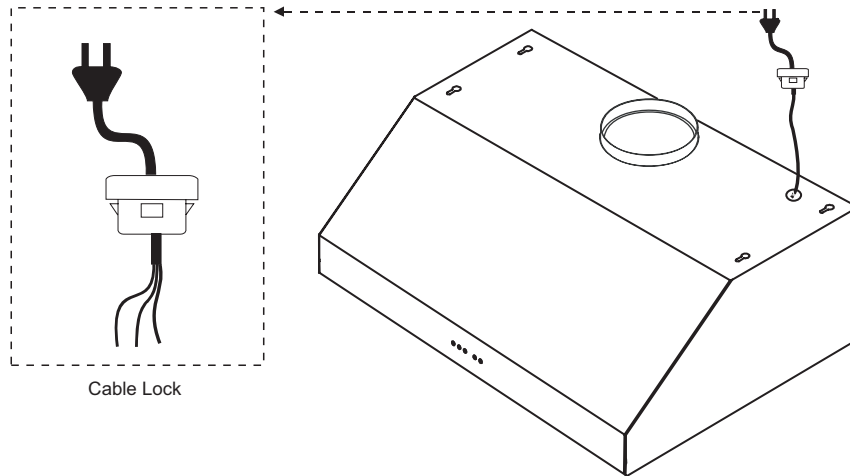
Follow national electrical codes or prevailing local codes and ordinances.

Electrical Supply:

This appliance requires a 120V 60Hz electrical supply, and connected to an individual, properly grounded branch circuit, protected by a 15 or 20 ampere circuit breaker or time delay fuse. Wiring must be 2 wire w/ ground. Please also refer Electrical Diagram labeled on product.

Cable Lock:

A cable locking connector (not supplied) might also be required by local codes. Check with local requirements and codes, purchase and install appropriate connector if necessary.

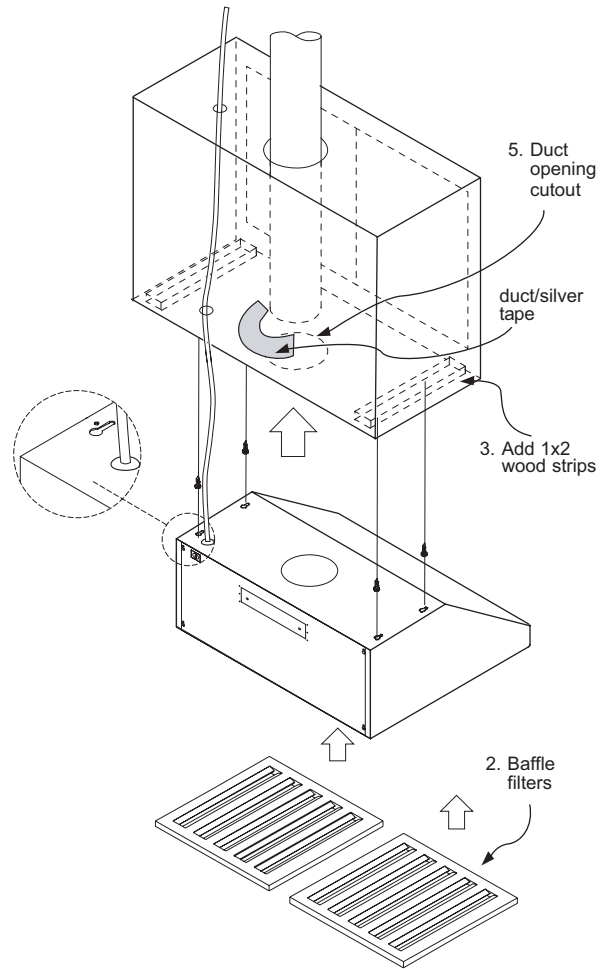


Installation – Mounting the Range Hood

For dual blower installation instructions please refer to page 13.

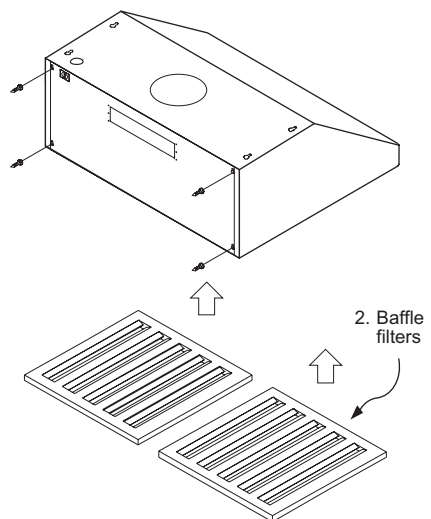
For Mounting Under a Kitchen Cabinet

1. Select preferred duct location (vertical or horizontal).
2. Begin installation by removing the baffle filters.
3. Reinforce cabinet with 1"x2" wood strips if additional strengthening is required or if cabinets are framed.
4. Temporarily position the range hood in the desired mounting location. Measure and mark the mounting holes, duct and electrical locations with a pencil.
NOTE: If using single internal blower a 6" round duct opening is necessary. If using a dual internal blower, please refer to page 14 for cut-out dimensions.
5. Drill/cut out the required openings for duct and electrical access; make sure the duct opening is large enough to apply duct tape.
6. Fasten hood onto cabinet with (4) M4 wood screws provided.
7. Install electrical.
8. Install duct work and duct tape.
9. Reinstall baffle filters.
10. Power up hood and check for leaks around duct tape.



For Mounting to a Wall

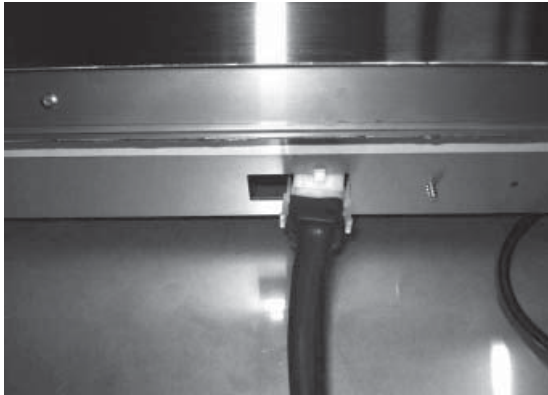
1. Select preferred duct location (vertical or horizontal).
2. Begin installation by removing the baffle filters.
3. Temporarily position the range hood in the desired mounting location. Measure and mark the mounting holes, duct and electrical locations with a pencil.
4. Drill/cut out required openings.
5. Fasten hood onto wall with screws provided.
6. Install electrical.
7. Install duct work and duct tape.
8. Reinstall baffle filters.
9. Power up hood and check for leaks around duct tape.



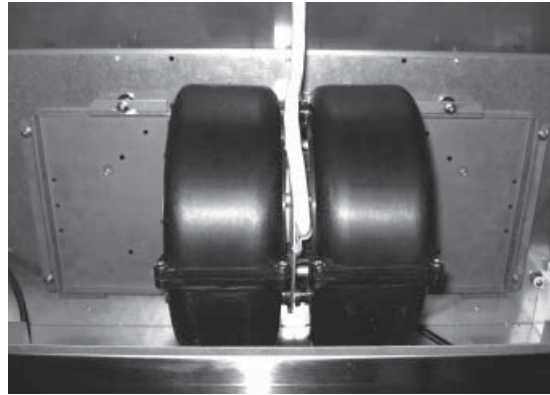
This range hood is equipped standard with a 6" round vertical duct option. To convert from 6" round vertical to 3-1/4" x 10" horizontal ducting please following the instructions below.

NOTE: Horizontal ducting is only available for the single internal blower.

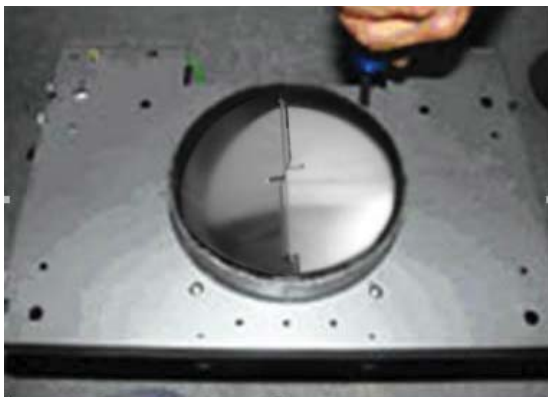
VERTICAL TO HORIZONTAL DUCTING CONVERSION



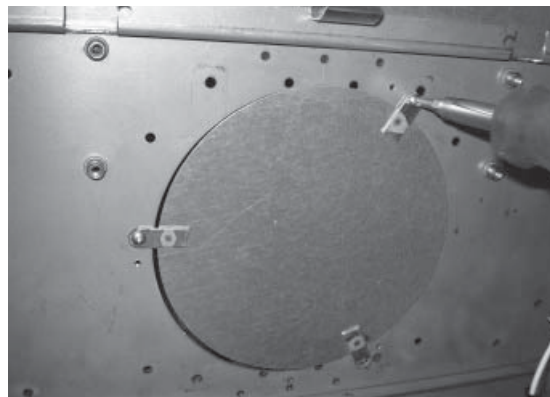
1. Disconnect blower wire.



2. Remove support screw from top of hood near the back. Remove 2 screws holding blower plate to hood and pull blower towards front of hood to release from internal bracket.



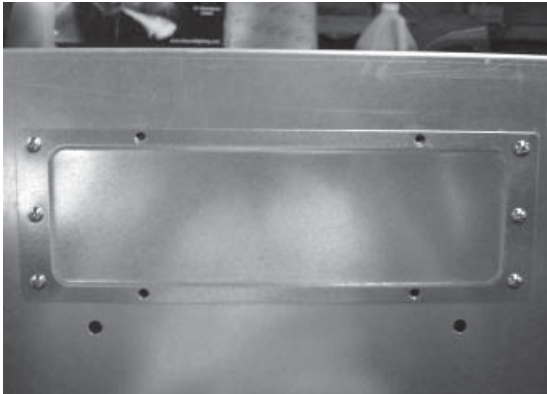
3. Unscrew (4) screws holding blower to blower plate and remove blower.



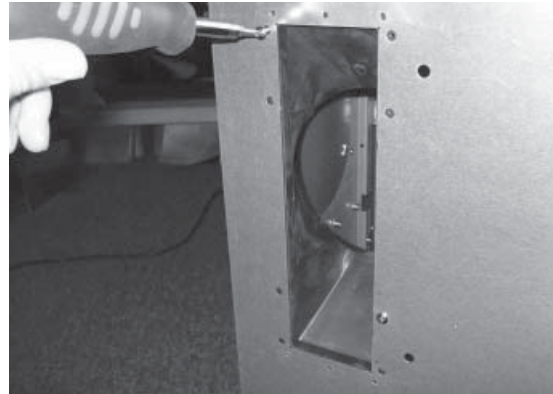
4. Cover round blower opening on blower plate with 6" round metal cap. Attach with (3) 3.5x8 screws.

5. Re-attach blower plate to hood by following removal instructions in reverse.

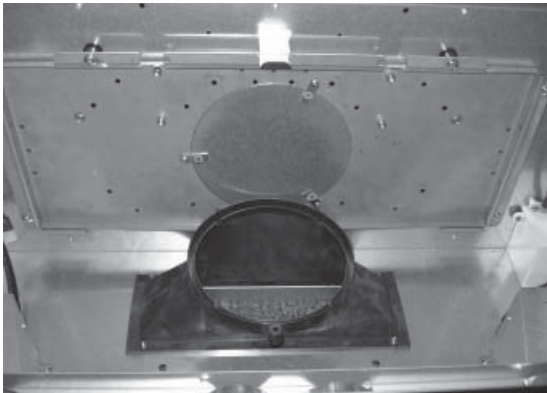
Installation – Horizontal Conversion



6. On the back of the hood, remove the (6) screws holding the rectangular cap.



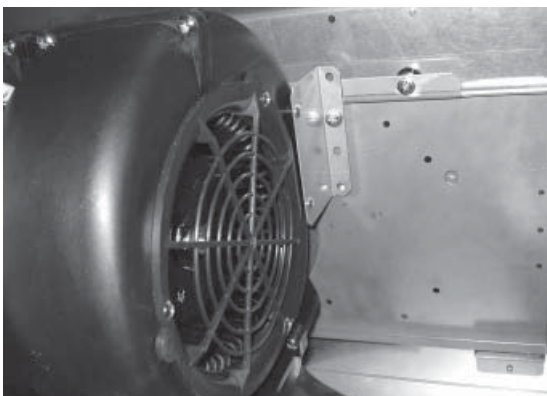
7. Place round to rectangular transition adapter inside hood and line it up with the rectangular opening. Attach with (4) M4x8 screws from the outside.



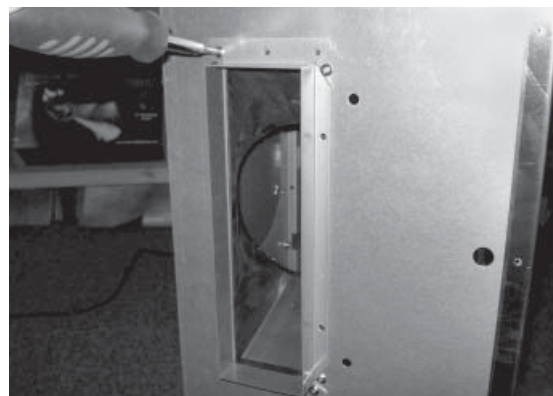
8. Picture of round to rectangular transition adapter installed in hood.



9. Attach blower brackets to blower using (2) 10x3/16" screws on each bracket.



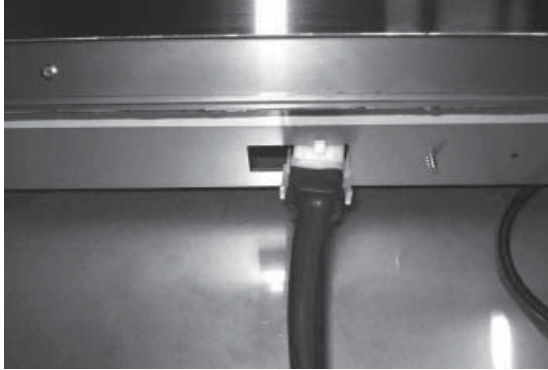
10. Place blower inside round end of round to rectangular transition adapter. Attach blower with brackets to blower plate using (2) 3.5x8 screws on each bracket.



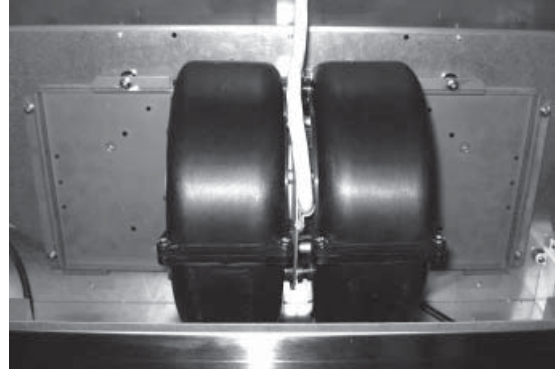
11. Attach rectangular starting collar using the (6) screws removed from rear rectangular cap in step 6.

DUAL BLOWER INSTALLATION*

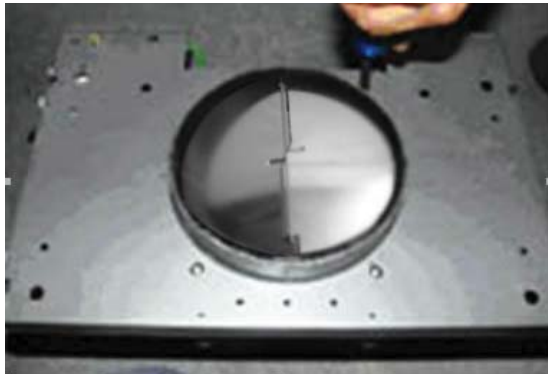
***IMPORTANT:** Dual blower and heat lamps may only be used together in 36" and 42" models. 30" models will only accommodate one or the other, not both at the same time.



1. Disconnect single blower wire.



2. Remove support screw from top of hood near the back. Remove 2 screws holding blower plate to hood and pull blower towards front of hood to release from internal bracket.



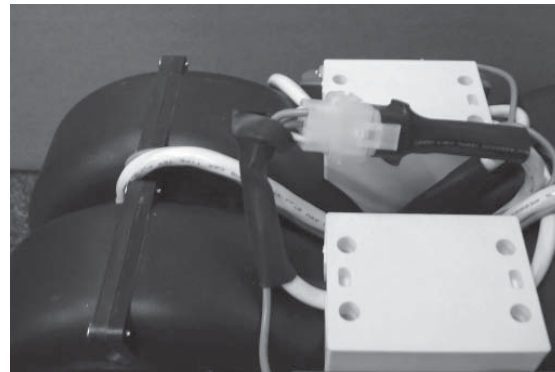
3. Unscrew (4) screws holding blower to blower plate and remove blower. Remove metal damper. Discard single blower plate.



4. Picture of PBD-1100A dual blower kit.



5. Use the blower removed from the single blower plate and install it into the dual blower plate.

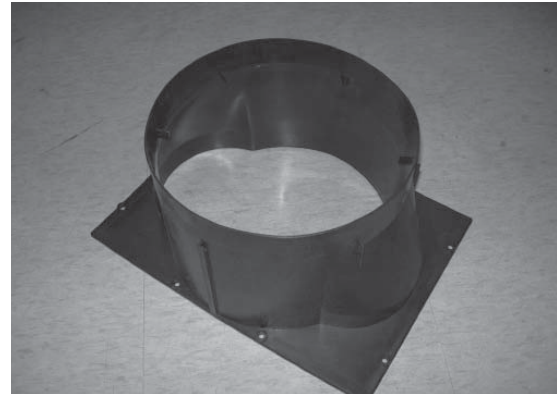


6. Connect 9 pin male moxex connector from blower to 9 pin female moxex connector on dual blower capacitor box.

Installation – PBD-1100A Dual Blower



7. Secure dual blower plate to hood by following removal instructions in reverse. Attach blower wire to hood.



8. Place 10" round adapter (included with PBD-1100A) on top of hood and secure with (4) M4x8 screws. Connect 10" duct work.

The 10" round adapter is fitted with a metal damper to prevent outside airflow from entering the kitchen.

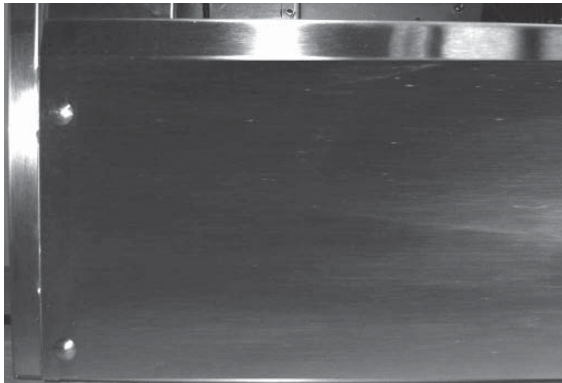
The 6" round single blower is also fitted with a metal damper. If using the PBD-1100A dual blower kit, the metal damper from the 6" round single blower must be removed prior to installing the 10" round adapter. See installation step 3 on page 13.

NOTE: To secure the 10" transition adapter to top of hood a cut out of 14 1/4" width x 10 1/4" depth will need to be made in the cabinet bottom.

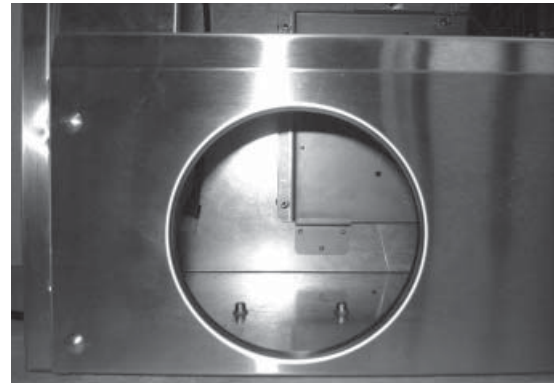
If internal cabinet dimensions prevent this size of a cut out then the 10" transition adapter may be mounted to the cabinet bottom rather than the top of the hood. Cut out dimensions for this type of installation are 13 1/4" width x 6 1/4" depth.

HEAT LAMP KIT INSTALLATION*

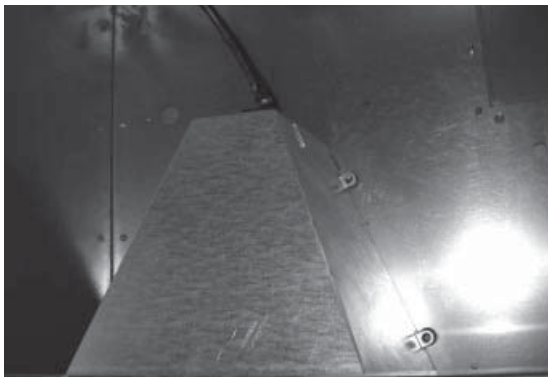
***IMPORTANT:** Dual blower and heat lamps may only be used together in 36" and 42" models. 30" models will only accommodate one or the other, not both at the same time.



1. Remove nuts from each of the (4) screws around the bottom panel. Remove bottom panel.



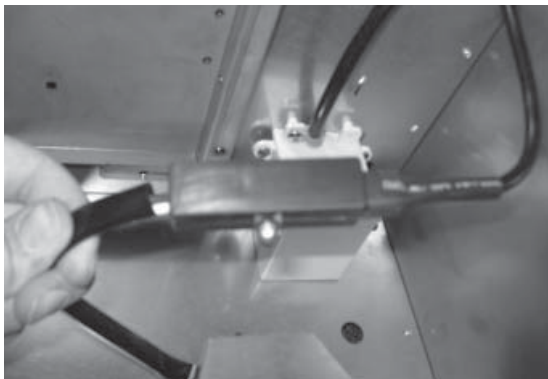
2. Replace bottom panel with heat lamp bottom panel. Re-attach screws and nuts.



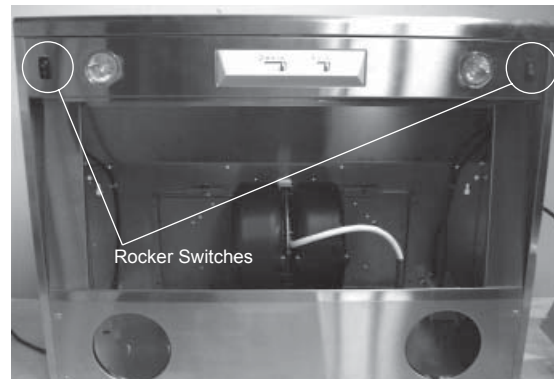
3. Place heat lamp housings over the (4) pre-threaded screw posts inside the hood. Attach with screws provided.



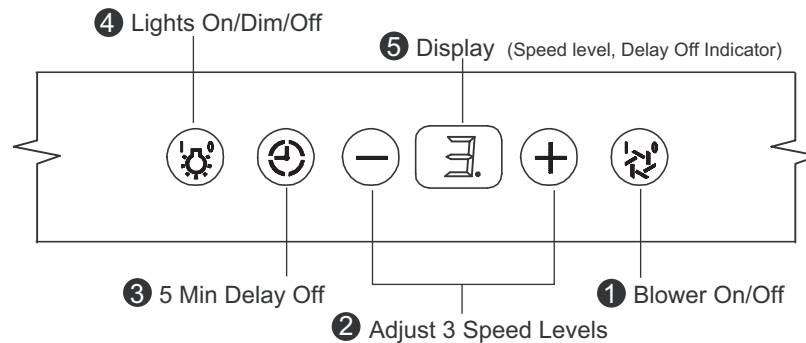
4. Install heat lamp wire cover over wire from heat lamp housing and screw shut. Repeat for each heat lamp housing.



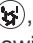
5. Plug heat lamp wire from hood into wire from heat lamp housing.






6. Install heat lamp bulbs and operate heat lamps using rocker switches located in each corner behind the halogen bulbs.





1 Blower On/Off

By pressing , the blower is switched On and Off. When switched on, the blower turns on at the same speed it was switched off at. When switched off the entire hood powers off, including the lights.


2 Speed Selection

The 3 speed levels are selected by pressing  to decrease and  to increase speed level. The display indicates speed level selected. Pressing  when the hood is off will also turn it on.

3 Delay Off

This is used for programmed shut down of blower and lights 5 minutes after the function is activated. Press  once, a dot displays in the lower right hand side of display  indicating the function is on. The hood will change to speed 1 and shut down after 5 minutes.

4 Lights On/Dim/Off

Switch lights On by pressing , again to dim and again to switch Off.

5 Display

Displays blower speed level and delay off status.

Manual On/Off

Located behind the right side light panel is a manual power on/off toggle switch. This switch is used to manually cut power to the hood to perform a hard reset for troubleshooting purposes. Toggle between I (on) or 0 (off).

Heat Lamps On/Off

Located on the right and left side light panel are manual power on/off toggle switches. These switches are used to turn the heat lamps on/off. Toggle between I (on) or 0 (off).

SURFACE MAINTENANCE:

Clean periodically with hot soapy water and clean cotton cloth. Do not use corrosive or abrasive detergent, or steel wool/scouring pads which will scratch and damage surface. Do not use products containing chlorine bleach or orange cleaners.

For heavier soil use liquid degreaser.

After cleaning, you may use non-abrasive stainless steel polish/ cleaners, to polish and buff out the stainless luster and grain. Always scrub lightly using a micro fiber or clean cotton cloth and with grain.

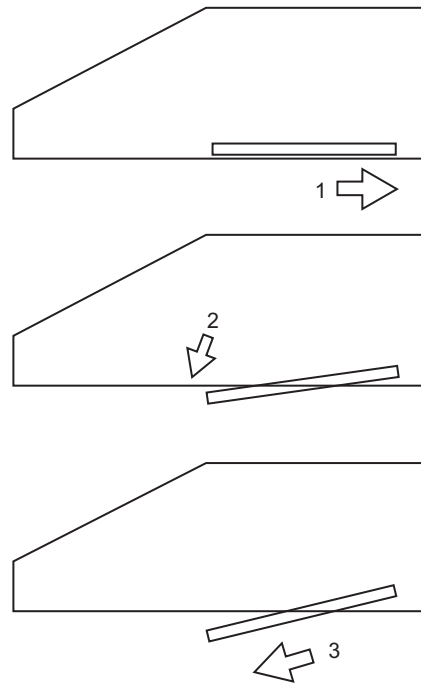
Stainless Steel Baffle Filters

The stainless steel baffle filters are intended to trap residue and grease from cooking. Although the filters should never need replacing, they are required to be cleaned every 30 days or more often depending on cooking habits.

Filters may be placed in dishwasher at low heat or soaked in hot soapy water. Dry filters and re-install before using hood.

Removing Baffle Filters

1. Push filter toward back of range hood using handles.
2. Pivot front of filter downward.
3. Remove filter by pulling away from hood.



Replacing Baffle Filters

Hood Model:	Part No.	Qty. to Order.
AK7000AS	50210004	2
AK7036AS	50210004	3
AK7042AS	50210004	3

REPLACING LIGHT BULBS

CAUTION: Light bulb becomes extremely hot when turned on.

DO NOT touch bulb until switched off and cooled. Touching hot bulbs could cause serious burns.

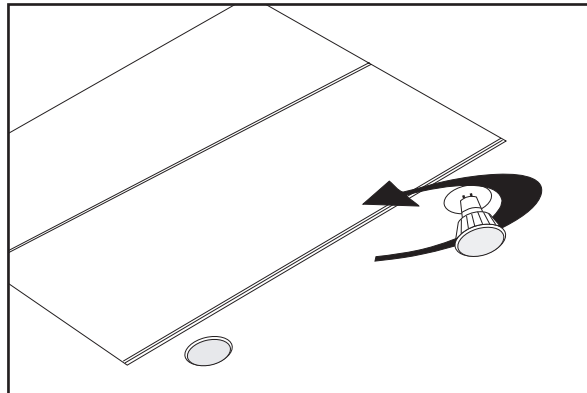
Make sure all power is turned off and bulbs are not hot.

Remove by turning bulb counter clockwise. **Note:** Bulb does not unscrew; it turns 60 degrees, stops and falls out.

If bulbs are difficult to turn due to prolonged use, firmly attach a glass suction cup approximately the diameter of the bulb or use a rubber/latex glove and turn counter clockwise.

Replacement bulbs are available at specialty lighting stores. Purchase type MR16 (GU-10) 35W halogen.

For Zephyr part numbers please turn to page 20 of the manual.



TROUBLESHOOTING PROCEDURES FOR TEMPEST I AND TEMPEST II

Issue	Cause	What to do
After installation, the unit doesn't work.	1. The power source is not turned ON.	1. Make sure the circuit breaker and the unit's power is ON.
	2. The power line and the cable locking connector is not connecting properly.	2. Check the power connection with the unit is connected properly.
	3. The switch board and control board wirings are disconnected.	3. Make sure the wirings between the switch board and control board are connected properly.
	4. The wires on control board are loose.	4. Make sure the wires on the control board are connected properly.
	5. The switch board or control board is defective.	5. Change the switch board or control board.
Light works, but motor is not turning.	1. The motor is defective, possible seized.	1. Change the motor.
	2. The thermally protected system detects if the motor is too hot to operate and shuts the motor down.	2. The motor will function properly after the thermally protected system cool down.
	3. Damaged capacitor.	3. Change the capacitor.
	4. The motor wire is not connected.	4. Make sure the motor wire is plugged into the molex connector.
The unit is vibrating.	1. The motor is not secure in place.	1. Tighten the motor in place.
	2. Damaged blower wheel.	2. Change the blower.
	3. The hood is not secured in place.	3. Check the installation of the hood.
The motor is working, but the lights are not.	1. Defective halogen bulb.	1. Change the halogen bulb.
	2. The light bulb is loose.	2. Tighten the light bulb.
	3. The wires on the control board are loose.	3. Make sure the wires on control board are connected properly.
The hood is not venting out properly.	1. The hood might be hanging to high from the cook top.	1. Adjust the distance between the cook top and the bottom of the hood within 26" and 36" range.
	2. The wind from the opened windows or opened doors in the surrounding area are affecting the ventilation of the hood.	2. Close all the windows and doors to eliminate the outside wind ow.
	3. Blockage in the duct opening or duct work.	3. Remove all the blocking from the duct work or duct opening.
	4. The direction of duct opening is against the wind.	4. Adjust the duct opening direction.
	5. Using the wrong size of ducting.	5. Change the ducting to correct size.
Heat lamp is not working.	1. Toggle switch is not in the on position.	1. Make sure the heat lamp power is ON.
	2. Heat lamp bulb is defective.	2. Change the heat lamp bulb.
	3. Heat lamp bulb is loose.	3. Tighten the heat lamp bulb.
Metal lter is vibrating.	1. Metal lter is loose.	1. Change the metal lter.
	2. Spring clip is broken.	2. Change the spring clip.

List of Parts and Accessories

DESCRIPTION	PART #
Replacement Parts	
Light Bulb MR16 (GU10) 35W (each)	Z0B-0023
Balance Filter (each)	50210004
Optional Accessories	
*Dual Internal Blower (w/ 1 blower)	PBD-1100A
Heat Lamp Kit (30")	AK0700AS
Heat Lamp Kit (36")	AK0706AS
Heat Lamp Kit (42")	AK0702AS
Back Splash (30")	AK0710
Back Splash (36")	AK0716
Back Splash (42")	AK0712

To order parts, visit us online at <http://store.zephyronline.com> or call us at 1.888.880.8368

***IMPORTANT: Dual blower and heat lamp kits may only be used together in 36" and 42" models. 30" models will only accommodate one of the other, not both at the same time.**

TO OBTAIN SERVICE UNDER WARRANTY:
or any Service Related Questions, please call:
1-888-880-8368

Staple your receipt here.
Proof of the original purchase date is needed
to obtain service under the warranty.

TO OBTAIN SERVICE UNDER WARRANTY: You must present proof of original purchase date.
Please keep a copy of your dated proof of purchase (sales slip) in order to obtain service under warranty.

One Year Service Repair Warranty:
For one year from date of original purchase, we will provide free of charge, service labor to repair any failed parts or components due to manufacturing defects.

Ten Years Parts Warranty:
For ten years from date of original purchase, we will provide free of charge, nonconsumable replacement parts or components that failed due to manufacturing defects. Consumable parts not covered by this warranty include: Light Bulbs, Metal and Carbon Filters.

Who is Covered:
This warranty is extended to the original purchaser for products purchased for ordinary home use in the 48 mainland states, Hawaii and Washington D.C. In Canada and Alaska, this warranty is Limited. There might be costs associated with shipping the products to our designated service locations or you might need to pay service technician's travel costs, to have the appliance repaired in-home.

This Warranty will be Voided When:
Product damaged through negligence, misuse, abuse, accident. Improper installation and failure to follow installation instructions. When product is used commercially or other than its intended purpose. Damaged because of improper connection with equipment of other manufacturers. Repaired or modified by anyone other than Zephyr's Authorized Agents.

What is Not Covered:
Consumable parts such as light bulbs, filters, and fuses. Services outside of service area and the labor cost incurred in connection with the removal, shipping and reinstallation cost, nor does it cover any other contingent expenses. The natural wear of finish, and wear due to improper maintenance, use of corrosive and abrasive cleaning products, pads, and oven cleaner products. Chips, dents or cracks due to abuse, misuse, freight damage, or improper installation. Service trips to your home to teach you how to use the product. Damage of product caused by accident, fire, floods or act of God.

This warranty is valid in the United States and Canada. It is non-transferable and applies only to the original purchaser and does not extend to subsequent owners of this product. Any applicable implied warranties, including the warranty of merchantability, are limited in duration to a period of express warranty as provided herein beginning with the date of original purchase at retail and, no warranties, whether express or implied, shall apply to this product thereafter.

Have your product proof of purchase with date ready for warranty issues.
Or write to:

Zephyr Corporation
Service and Warranty Department
395 Mendell Street
San Francisco, CA 94124