



# TEM721BKW



34.5" x 24" x 24" (H x W x D)

Stainless steel 220V electric wall oven with digital clock/timer and oven window; for cutouts 22 3/8" wide by 34 1/8" high

### Highlights:

Made in the U.S.A.

34 1/8" H x 22 3/8" W x 23" D cutout dimensions fit many pre-existing kitchen spaces

Extend the height to 39" with optional trim kit in black (TKW700) or stainless steel (TKW700SS)

Stainless steel doors with towel bar handles offer a professional look with lasting durability

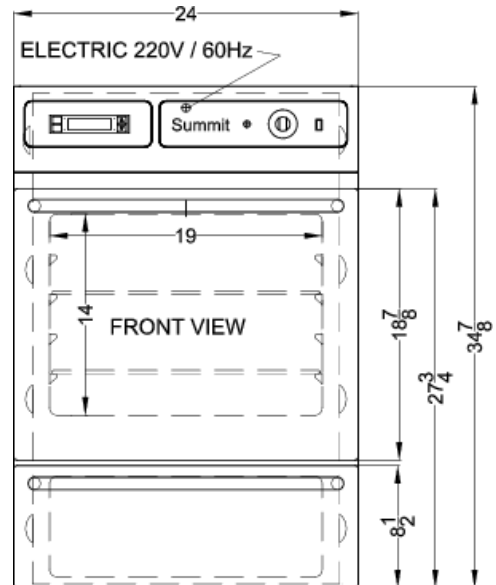
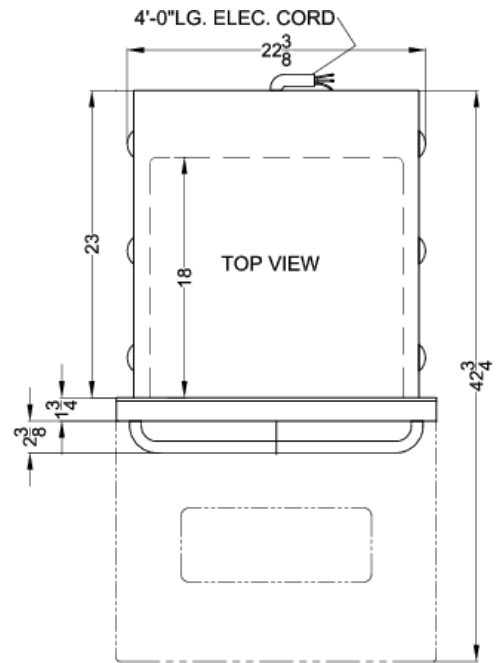
### Product Features:

220V electric wall oven	Sized to fit 22 3/8" W x 34 1/8" H cutouts
Stainless steel doors	Professional style with lasting durability
Professional towel bar handles	Curved handles in brushed stainless steel offer a modern look and easy grip
Digital clock and timer	Added convenience for easier cooking
Oven window and light	Keep track of your cooking with the convenient window with interior oven light
Broiler pan included	Two-piece porcelain broiler tray with grease well
Storage compartment	Drop-down porcelain drawer for storing pots and pans
Porcelain construction	Interior oven is constructed from long-lasting porcelain that is easy to clean



## TEM721BKW Specifications:

Overview	
Height	34.5"
Width	24.0"
Depth	24.0"
Depth with Handle	25.38"
Depth with door at 90°	42.75"
Capacity	2.92 cu.ft.
Door	Stainless Steel
Cabinet	-
US Electrical Safety	UL
Amps	10.0
Weight	170.0 lbs.
Shipping Weight	190.0 lbs.
Parts & Labor Warranty	1 Year
Electric Walloven	
Controls	Dial
Oven Light	Yes
Cooking Timer	Yes
Digital Clock	Yes
Cleaning Type	Manual
Oven Rack Qty	2
Oven Window	Yes
Interior Height	14.0"
Interior Width	19.0"
Interior Depth	18.0"
Cutout Height	34.18"
Cutout Width	22.38"
Cutout Depth	23.0"



SUMMIT APPLIANCE DIVISION FELIX STORCH, INC.

770 Garrison Avenue, Bronx, NY 10474 USA TEL 718-893-3900 FAX 844-478-8799

info@summitappliance.com



www.summitappliance.com