

## MOVE

### Version

FDMOV36W5SB / Built-in – 36"  
(90 cm) Black – 500 CFM

### Collection

Design

### EAN code

8034122356327

## FEATURES

- Sliding door
- Electronic control
- Metallic grease filter, removable and washable
- Optional combined regenerable Carbon.Zeo filter
- Possible to duct wall mounted from rear
- Optional Chimney
- Optional glass shelf
- Dynamic LED Light (2700K - 5600K)

## OPTIONAL ACCESSORIES

### KACL.798#21F

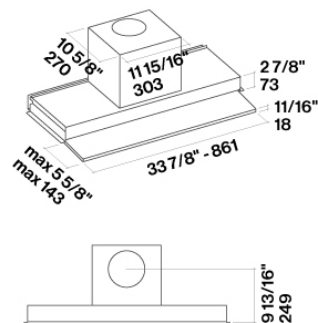
Motor 600 CFM

### KACL.815

Protective cleaning cloths for stainless steel (box 10 pcs)

### KACL.934

Carbon.Zeo filters



## TECHNICAL FEATURES

### Installation type

Built-in

### Dimensions

36 / 90 cm

### Finish

Scotch brite stainless steel (AISI 304)

Lower part in black tempered glass

### Motor

500 CFM

### Type of control

Electronic control

### Speed settings

4

### Lighting

Led 3x1,2 W - 3200 K

### Filter

Metallic filter "Base" - 198x161 mm

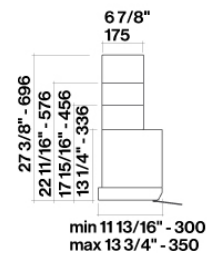
### Charcoal filter

Carbon.Zeo filters (optional)

### Minimum distance

Gas hob: 21 in

Electric hob: 21 in



Optional chimney



Photograph is for information purposes only  
May not correspond to the selected version

## PACKAGING:WEIGHTS AND VOLUMES

### Gross weight

45 lbs

### Net weight

38 lbs

### Volumes

7 ft<sup>3</sup>

### Packaging size

Length

40 in

Height

17 in

Depth

19 in

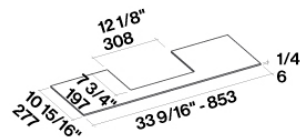
## CONSUMPTION AND CONNECTION FEATURES

### Maximum consumption

280 W

### Plug type

Hood comes standard with Nema 5-15P power cord



Optional shelf