

## NUVOLA 90

### Version

FDNUVMTR600 - Motor 600  
CFM

### Collection

Design+

### EAN code

8034122362342

## FEATURES

**Perimeter suction**  
**Electronic control**  
**LED lighting**  
**Metallic grease filter, removable and washable**  
**Remote control included**  
**Dynamic LED Light (2700K - 5600K)**  
**Motor sold separately**  
**SRS Speed reduction system**

Recommended mounting maximum distance from cooking surface to hood bottom: 150cm (59")

## OPTIONAL ACCESSORIES

### FDNUVMTR600

FDNUVMTR600 - Motor 600  
CFM

### KACL.396

Ø200 - Flange

### KACL.398

Ø150 - Flange

### KACL.928

Filters spare

### KACL.931

Filters Carbon.Zeo - Spare

### KACL.939#BF

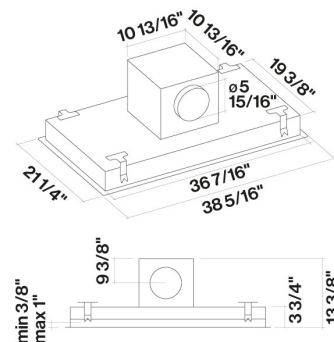
Ceiling re-circulation filtering kit

### KACL.953#BF

Carbon.Zeo vertical outlet ceiling filter unit kit

### 105080053

Remote control



## TECHNICAL FEATURES

### Installation type

Ceiling

### Dimensions

36 / 90 cm

### Finish

Painted white steel

### Motor

600 CFM

### Type of control

Electronic control

### Speed settings

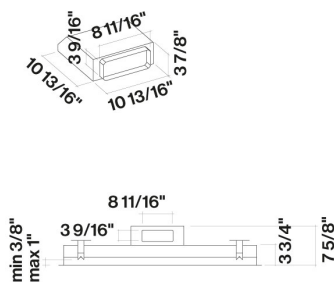
4

### Lighting

Led

### Filter

3 x Metallic filter "Base" - 290x267 mm



Photograph is for information purposes only  
May not correspond to the selected version

## PACKAGING:WEIGHTS AND VOLUMES

### NUVOLA 90 Gross weight

58 lbs

### Net weight

52 lbs

### Volumes

5 ft<sup>3</sup>

### Packaging size

Length

45 in

Height

8 in

Depth

27 in

### REMOTE MOTOR

FDNUVMTR600 - Motor 600

### CFM Gross weight

23 lbs

### Net weight

20 lbs

### Volumes

3 ft<sup>3</sup>

### Packaging size

Length

18 in

Height

14 in

Depth

16 in

## CONSUMPTION AND CONNECTION FEATURES

### Maximum consumption

450 W

### Plug type

Hood comes standard with Nema 5-15P power cord

### ENERGY CLASS

0