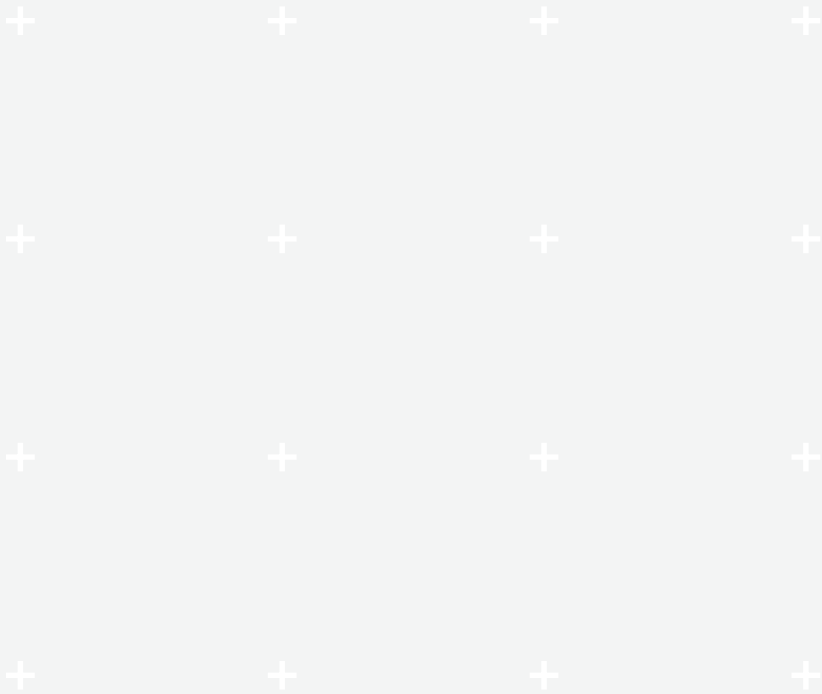
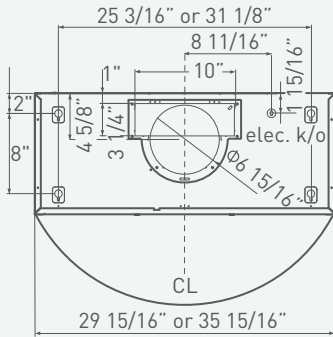


# TAMBURO

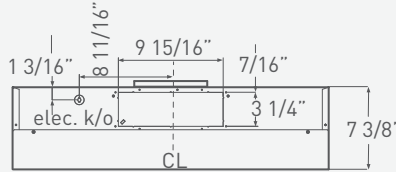
With Tamburo, we've thrown a major curve to the typical under-cabinet configuration, with a fresh approach that's designed to fit your life. This true original also offers halogen lighting, three speeds and an adjustable utensil bar to keep all of your larger cooking utensils right where you want them—above the cooking surface. New control configuration and 12" depth ensure simple operation and a true fit with popular cabinet styles.



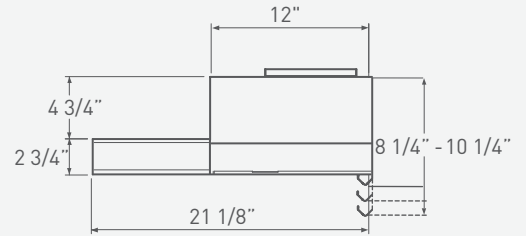
# ESSENTIALS



Top



Back



Side

Adjustable Utensil Bar Heights

## TAMBURO

UNDER CABINET

MODEL	ZTA-E30AS290 / ZTA-E36AS290	ZTA-E30AS / ZTA-E30AS
<b>SIZE</b>	30" / 36"	30" / 36"
<b>NET WIDTH</b>	29 15/16" / 35 15/16"	29 15/16" / 35 15/16"
<b>PERFORMANCE</b>		
Internal Blower	290 CFM	400 CFM
Internal Blower Sones	3.2	5
<b>COLOR</b>		
Stainless Steel	S	S
<b>FEATURES</b>		
Controls	Mechanical Slide	Mechanical Slide
Speed Levels	3	3
Auto Delay-Off	No	No
Lighting	Halogen, 50W x 2	Halogen, 50W x 2
Dual-Level Lighting	Yes	Yes
Filters	Metal Mesh x 2	Metal Mesh x 2
Recirculating	Yes	Yes
Duct Cover Extension	NA	NA
Adjustable Utensil Bar	Yes, Up to 3"	Yes, Up to 3"
<b>DUCT SPECIFICATIONS</b>		
Internal Blower - Vertical	7" or 3 1/4" x 10"	7" or 3 1/4" x 10"
Internal Blower - Horizontal	3 1/4" x 10"	3 1/4" x 10"
<b>AC INPUT</b>	120V - 60Hz	120V - 60Hz
<b>AC POWER</b>	Max. 358W, 3.3 Amps	Max. 358W, 3.3 Amps
<b>OPTIONAL ACCESSORIES</b>		
Recirculating Kit	ZRC-0200	ZRC-0200

Mounting Heights Min. height 24" from cooking surface.

Max. height 32" from cooking surface.

