



Performance

- Dual Refrigeration System with 2 compressors and 2 evaporators for best humidity / temperature and no odor transfer
- Electronic sensors help to keep temperatures consistent. Food stays fresh no matter where it is stored
- Special mode to cool down refrigerator compartment to balance temperatures between cool items and new warm items
- Special mode to reduce freezer temperatures to balance temperatures between frozen goods and newly placed goods

Convenience

- Pre-assembled with stainless steel panels and handles for quick installation
- Luminous™ Bright Halogen Light Towers - Provide even light distribution and brightens entire cavity for a clearer look
- The Liberty™ Shelf allows you to adjust a fully loaded shelf with a simple touch of a button
- Internal filtered ice maker to accommodate your family's need for fresh ice
- Water Filter

Craftmanship

- Stainless steel frame for classic built-in design
- Freedom® Hinge - Opens out and away from the cabinetry, allows true integrated installation and opens 115 degrees
- Freedom® Pro handle
- Chiseled stainless steel panels

Safety

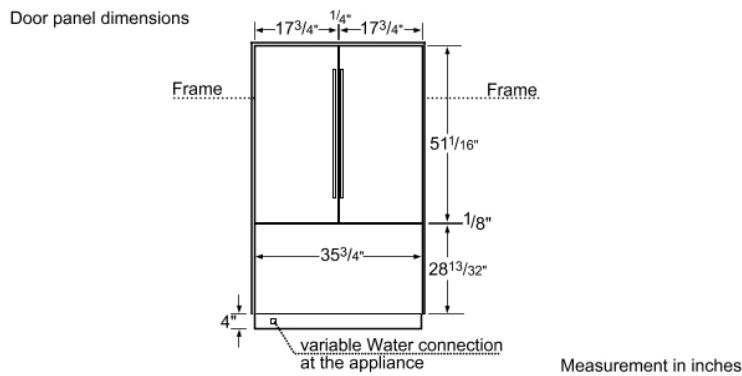
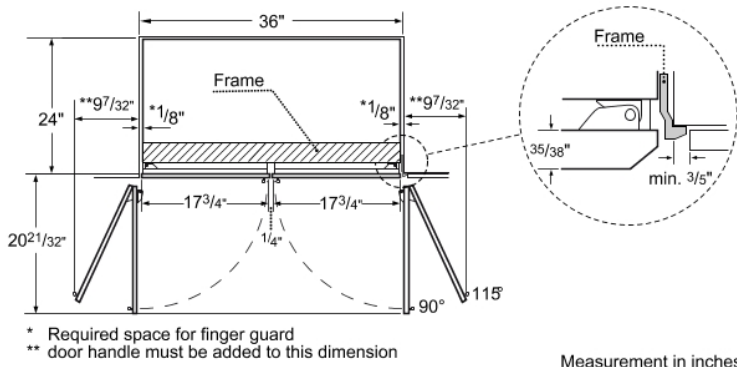
- Door Open Alarm - This alarm gently notifies you when the door is left ajar for over a minute

Efficiency

- Economy Mode - Energy savings mode for

everyday usage

- Vacation Mode - Ideal setting to conserve energy while away for a prolonged period
- Sabbath Mode - Special holiday mode complies with certain religious holiday observances
- ENERGY STAR® Qualified



Amps (A)	15
Frequency (Hz)	60
Approval certificates	ETL, ETL C
Net weight (lbs)	477
Gross weight (lbs)	529
Refrigerator gross capacity (cu.ft.)	14
Freezer gross capacity (cu.ft.)	6
Humidity control drawers	Yes
Number of door bins - refrigerator	2
Water filter replacement indicator	No
Reversible door hinge	No