

# SUTC 92

## SUTC92



### SUTC92

- Motor: **600 cfm**  
Aluminium die-cast motor housing
- Pressure: **480 Pa**
- Noise level: **63 dBA/4.9 sones**



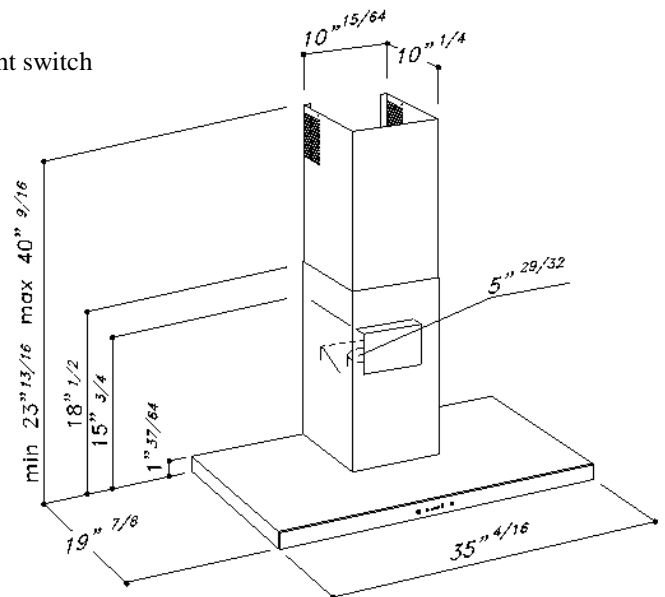
- Lighting: 2x6,5W LED LAMPS



- Control panel: Touch control 4 speeds + delay off timer + light switch



- Grease filter: anodized aluminium (5+1 layers)
- Stainless steel: AISI 430



**Sirius**