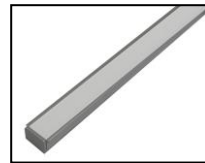


SUT958

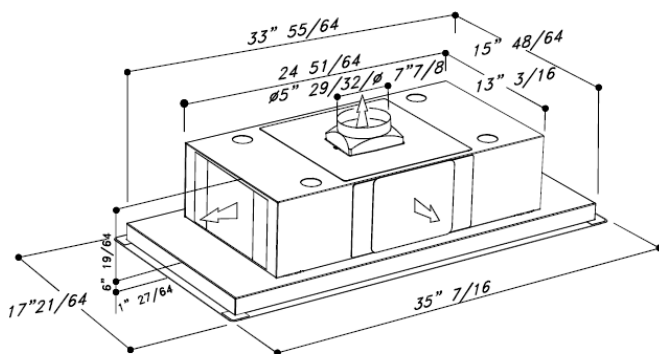


SUT 958

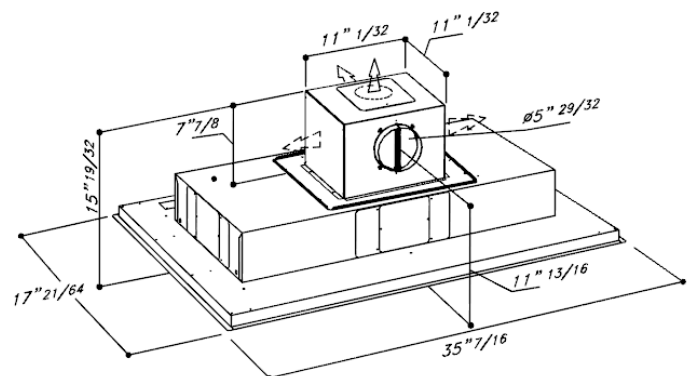
- External motor or motor on board (purchased separately)
- Lighting: 2x6.5W Led Strip
- Remote control 4 speed + delay of timer + light switch
- Stainless steel: AISI 430



EXTERNAL MOTOR VERSION



MOTOR ON BOARD VERSION



Sirius