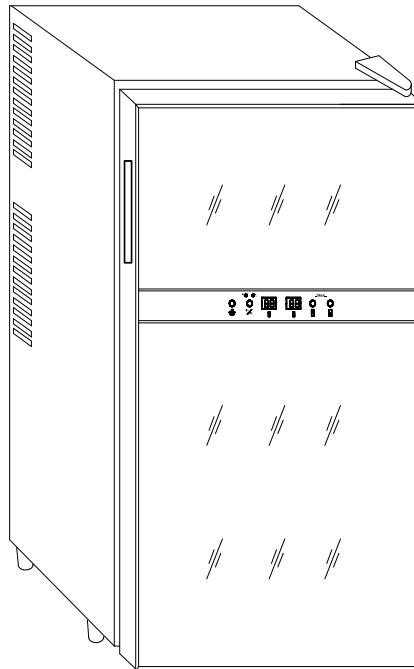


Thermal Electric Wine & Beverage Chiller

Model: WC-2462M



Instruction Manual

***READ AND SAVE THESE IMPORTANT SAFETY
INSTRUCTIONS BEFORE USING THIS APPLIANCE***

IMPORTANT SAFETY INSTRUCTIONS

READ ALL INSTRUCTIONS BEFORE USING THIS WINE COOLER

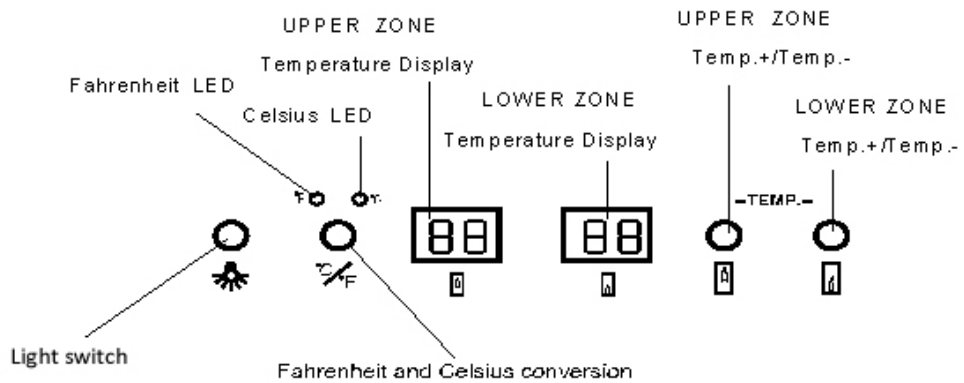
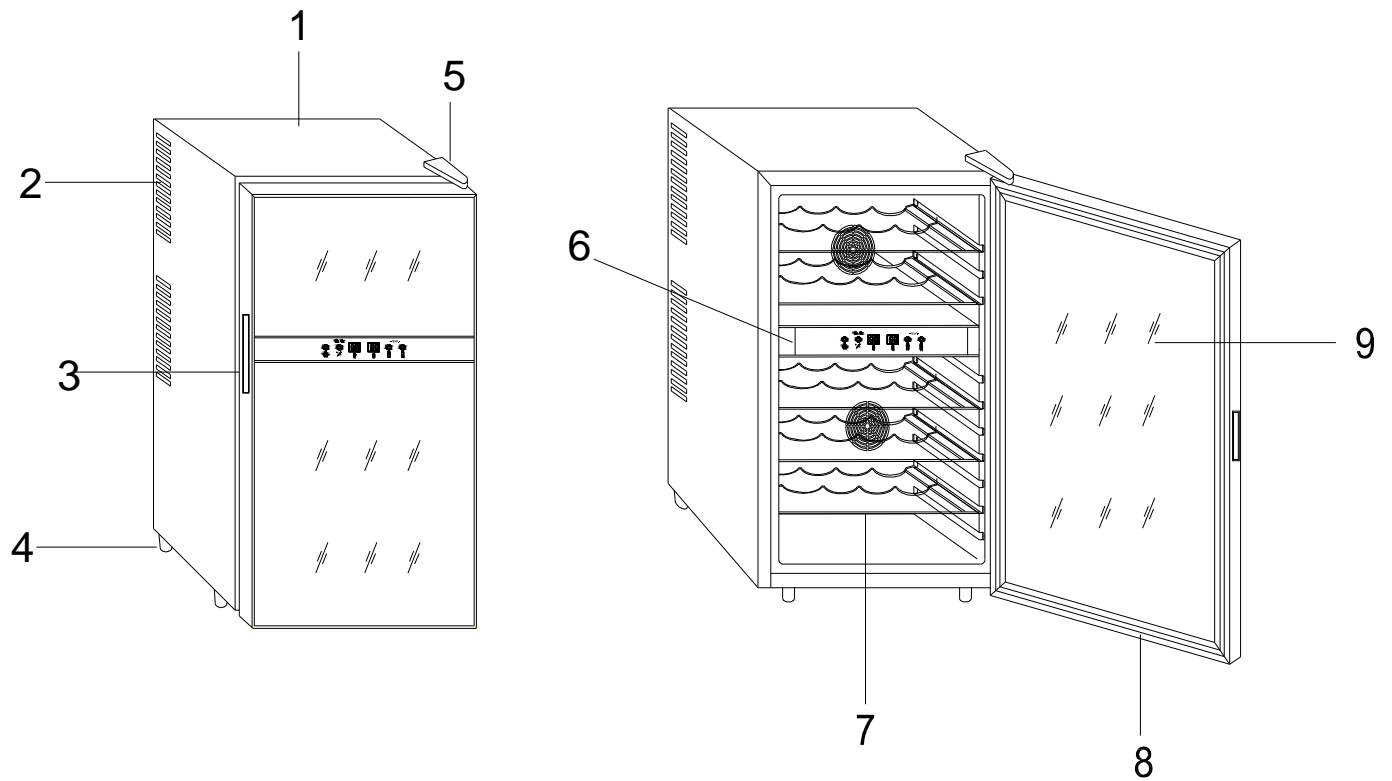
When using an electrical appliance, basic precautions should always be followed, including the following:

- Use this appliance only as described in this manual. Other uses not recommended may cause fire, electric shock or personal injury.
- To protect against electric shock, do not immerse unit, plug or cord in water or spray with liquids.
- Do not operate the appliance in the presence of explosive and/or flammable fumes.
- Do not place the appliance or any of its parts near an open flame, cooking or other heating appliance.
- The use of attachments not recommended by the manufacturer may be hazardous.
- Do not operate if the housing is removed or damaged.
- Close supervision is necessary when any appliance is used by or near children.
- Unplug the appliance from the outlet when not in use, when moving from one location to another and before cleaning.
- Locate the unit away from direct sunlight and sources of heat (stove, heater, radiator, etc.). Direct sunlight will affect / alter the housing of the appliance.
- The appliance must be placed on a flat and solid surface.
- Do not place any other appliances on top of the wine cooler.
- This product is for household use ONLY and not for commercial, industrial or outdoor use.
- To disconnect the appliance, grip the plug and pull from the wall outlet. Never pull by the cord.
- Never pull or lift the Wine Cooler by the cord.
- Keep the cord away from heated surfaces.
- Do not plug into the power socket before set up is completed.
- **Before you dispose the wine cooler.** remove the door and leave the shelves in place to prevent children from climbing inside and become entrapped; or take other action to ensure the cooler is harmless.
- Do not operate the appliance with a damaged cord or plug, if the product malfunctions, or if it is dropped or damaged in any manner. If the supply cord is damaged, contact the manufacturer or qualified electrician.
- Do not open – do not attempt to repair, disassemble or modify this appliance.
- Before connecting, check that the voltage indicated on the appliance (bottom of the appliance) corresponds with the main voltage in your home. If this is not the case, consult an electrician before use.
- This unit must be grounded. This equipment must be disconnected from the mains when not in use. Do not allow this unit to be exposed to rain or moisture.
- A loose fit between the AC outlet (receptacle) and plug may cause overheating and a distortion of the plug. Contact a qualified electrician to replace loose or worn outlet.
- Never allow children to operate, play with or crawl inside the appliance.
- Do not store or use gasoline and other flammable vapors/liquids inside this or any appliance.
- It is not recommended to use this wine cooler with an extension cord. Please ensure that the appliance is plugged directly into the electrical outlet.
- Do not place hot food or drink inside the wine cooler, as this may increase the inside temperature.
- Close the door immediately after putting in bottles so the inside temperature will not rise dramatically.
- Do not store food in this wine cooler as the interior temperature may not get cool enough to prevent spoilage.
- Use only mild detergents or glass cleaning products to clean. Never use harsh detergents or solvents.
- This appliance is designed to be free standing only, and should not be recessed or built-in (fully recessed). Clearance of 5 inches is required at the rear and both sides.

WARNING: To reduce the risk of fire, electric shock or personal injury, unplug or disconnect the appliance from the power supply before servicing.

SAVE THESE INSTRUCTIONS FOR FUTURE USE

Parts Identification:



- | | |
|-------------------|------------------|
| 1. Cabinet | 6. Control panel |
| 2. Air vent | 7. Rack |
| 3. Handle | 8. Door gasket |
| 4. Adjustable leg | 9. Glass door |
| 5. Cover | |

Locating your wine cellar:

It is recommended that the unit be placed where the ambient temperature is between 52-89°F. If the ambient temperature is above or below the recommended temperatures, the performance of the unit may be affected. For example, placing in extreme cold or hot conditions may cause interior temperature to fluctuate and the set temperature (range of 45-65°F) may not be reached.

Note: Unit performs best when ambient temperature is around 77°F.

- After transportation, allow the unit to stand upright for approximately 2 hrs before connecting power.
- Place your wine cellar on a flat surface that is strong enough to support it when fully loaded.
- Allow 5" of space at the rear and both sides of the wine cellar to allow proper ventilation.
- This wine cellar is designed as a freestanding unit and should not be recessed or built-in.
- Do not place heavy objects on top of the unit.
- Do not locate the unit in a moist place.
- Do not locate the wine cellar in direct sunlight.
- To level the appliance, adjust any of the four leveling legs (0.75" max).
- Keep ventilation opening clear of foreign objects.

ALWAYS REMOVE ALL BOTTLES BEFORE MOVING THE WINE CELLAR

Installation and Operating Instructions:

1. After removing the wine cooler from its packaging, check to confirm unit is in good condition with no visible damages. When in doubt, do not use and contact Sunpentown customer service.
2. Clean the inside with a soft cloth before use.
3. Gently place/slide the racks inside the wine cellar.
4. During initial use or when unit has not been used in a while, set temperature to the lowest setting and let unit run for 2 hours with an empty cabinet.
5. Place wine inside and set to desired temperature.
6. Cooling system begins to work immediately once power is connected.
7. To set/change temperature setting, press the [Temp+] or [Temp-] button to increase or decrease accordingly.
8. Unit will stop cooling when the inside temperature has reached the set temperature. When the inside temperature rises above the set point, unit will begin to cool again.
9. Press the [C/F] button to switch temperature display between Celsius and Fahrenheit.
10. Press the [Lamp] button to turn on/off the interior light.
(The interior temperature may fluctuate depending on whether the interior light is on or off. Keep the light turned off when not in use.)

Note: After setting the temperature, the LED display will return to show the actual temperature inside the cabinet.

Recommended temperature setting:

For wine to last as long as the wine maker suggests it needs to be stored in the correct conditions. Badly stored wines may age prematurely, oxidize and become undrinkable in a very short period of time. Wine experts recommend a constant temperature of 53.6-57.2°F as ideal for storing reds, whites and sparkling wine.

Recommended temperatures for chilling wine:

	<u>Degrees</u>
Red Wines:	54-64° F
Port / Sherry	50-57° F
White / Rose Wines	46-54° F

Interior Light Information:

The interior light source of the wine cellar consist of LED lighting which is long lasting and very energy efficient. LED lights will usually last for many years. If for any reason the LED lights stop burning and you have determined that they do not longer work. Please contact our customer service department (626-336-2299 or service@sunpentown.com).

Cleaning instructions:

ALWAYS UNPLUG THE UNIT FROM THE WALL PRIOR TO CLEANING THE FAN

- Never use harsh chemicals to clean the housing as it may damage the finish. Best to use a clean and damp cloth.
- Do not spray liquid of any type onto the unit.
- If the interior is extremely dirty, wash the inside surface with a warm water and baking soda solution. The solution should be about 2 tablespoons of baking soda to a quart (1 liter) of water.
- Wash the racks with a mild detergent solution.
- The outside of the wine cellar should be cleaned only with a mild detergent solution.
- Always dry all parts with a clean dry cloth before plugging the wine cellar back into the receptacle.
- During normal operation, condensation may collect inside the wine cellar. It is best to wipe away the water condensation with a dry cloth.

AVOID ABRASIVE PRODUCTS SUCH AS SCOURING PADS AND POWDERS. THEY WILL PERMANATELY DAMAGE THE FINISH OF YOUR WINE CELLAR

In addition to the cleaning tips listed above, it is recommended to clean the external fan of your wine cellar every 6 months. Build up of dirt, dust and hair can decrease the efficiency of he cooling system.

There are 2 effective methods to clean the external fan of your wine cellar:

- Use a vacuum cleaner.
- Alternatively compressed air in a container can be used to clean the fan. Ensure to follow the directions of the compressed air container to avoid damage or personal injury.

Technical Specifications:

Volume (liter)	65L / 24-bottles
Rated Voltage	110 – 120V
Rated Frequency	60HZ
Current	1.8A
Power Consumption	1.2 kWh/24 hrs (@ 59°F)
Input power	130W
Working Temperature Range	52-89°F
Maximum Temperature Variance	25°F
Temperature Control Range	45-65°F
Unit Dimension (W x D x H)	17.7 x 20.7 x 28.7 in.
Net weight	50.4 lbs

Troubleshooting Guide:

Save time and money. Before you call for service, check the Troubleshooting Guide at the back of this manual. It lists causes of minor operating problems that you can correct yourself.

SYMPTOM	POSSIBLE CAUSE
Vibrations	<ul style="list-style-type: none"> • Check to make sure the wine cellar is on a level surface
The door will not close properly	<ul style="list-style-type: none"> • The wine cellar is not on a level surface • The racks are out of position
Fan is always running.	<ul style="list-style-type: none"> • This is the functioning of the cooling system. The lower the setting, the more the fan will run. If ambient temperature is warmer than 77°F, fan will run more frequently. • The unit has been designed to run continuously when operating at lower temperatures
Unit has no power.	<ul style="list-style-type: none"> • Check the wall outlet for power. Make sure the outlet is not controlled by a wall switch
The unit does not operate	<ul style="list-style-type: none"> • It may not be plugged into the wall socket • Make sure the wall socket is functional by testing another electrical appliance in the power socket • Make sure the circuit breaker is not tripped or a fuse is blown
The unit will not cool. Power is On.	<ul style="list-style-type: none"> • Allow unit to stand upright for 2 hours before connecting power. • Check the temperature control setting. • Door is opened too frequently or not closed completely <p>To achieve accurate temperature control, the unit should not be used or operated in any of the following locations:</p> <ul style="list-style-type: none"> • A sunny place or under direct sunlight • Room with poor air circulation such as a garage • Near another heat producing appliance (dishwasher, oven, refrigerator). • With an outlet shared with a refrigerator as it will drain power from the unit. • Built-in a wall recess, niche or cabinet. • Place in a tight space, such as a cabinet or closet. <p>And remember to have at least 5" of space on each side of unit.</p>
The inside temperature does not seem correct	<ul style="list-style-type: none"> • Make sure the cooling vents on each side of the cellar are not obstructed. Have at least 5" of space on each side of unit. • The unit will have difficulty in cooling if the set temperature is 25°F below the ambient temperature. Example: if the ambient temperature is 86°F, the unit will have difficulty cooling down to 60°F. • When using the unit for the first time, it can take up to 24 hrs to reach the desired temperature



Your Guarantee

If this product is found to be faulty as a result of faulty materials or workmanship within one year from date of purchase, it will be repaired free of charge.

This guarantee is subject to the following terms:

- Sunpentown must be notified of the fault.
- Proof of purchase must be presented to Sunpentown's nominated representative.
- The warranty will be void if the product is modified, misused or repaired by an unauthorized person.
- The warranty after repair will not be extended beyond the original one-year period.
- All replacement parts will be new or reconditioned.
- Parts, which are replaced, become the property of Sunpentown.
- The warranty applies for the use of the product in the USA only.

What is NOT COVERED:

- Warranty does not include freight charges.
- Damage due to installation error, product abuse and/or misuse.
- Incidental or consequential damage caused by possible defects with this product.
- Labor cost incurred for the installation and/or removal of a possible defective unit.
- Damage to product caused by improper power supply voltage, accident, fire, floods or acts of nature.
- Failure of product resulting from unauthorized modifications to the product.
- Improper installation or failure to perform the necessary maintenance.
- Normal wear and tear on parts or replacement of parts designed to be replaced.
- Damage to personal property from use of product.
- Replacement or repair of household fuses, circuit breakers, wiring or plumbing.

This GUARANTEE is in addition to your Statutory Rights

SUNPENTOWN INTERNATIONAL INC.
14625 Clark Ave., City of Industry CA 91745
Tel: 626-336-2299 · Fax: 626-336-7118
service@sunpentown.com
www.sunpentown.com