

# 0000055

## 648PRO Kickplate Kit

### CONTAINS:

<u>QTY</u>	<u>DESCRIPTION</u>
1	Kickplate, Front
2	Kickplate Support, Side Bracket
6	Screw, 10-12 x 3/4" 6 lobe PH
4	Fastener, Dual Lock 949979
1	Instructions

### PROCEDURE:

#### **FRONT KICKPLATE INSTALLATION:**

1. Remove existing kickplate, then remove kickplate mounting L-brackets from both unit bases (See Figure 1).
2. Attach side bracket kickplate supports in place of kickplate mounting L-brackets just removed (See Figure 2).
3. Attach new front kickplate to side bracket kickplate supports (See Figure 2).

#### **UNIT BASE SIDE PANEL INSTALLATION:**

**NOTE:** The unit base side panels can be used if the unit is free standing or has at least one side exposed.

1. Use dual lock fasteners (2 per side) to attach side panel to side of unit bases (See Figure 3).

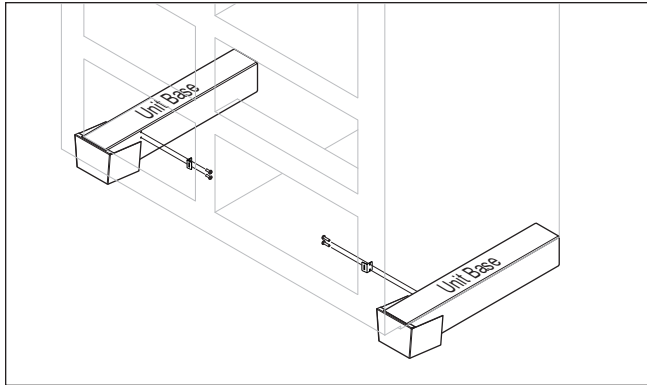


Figure 1. Remove Kickplate L-Brackets

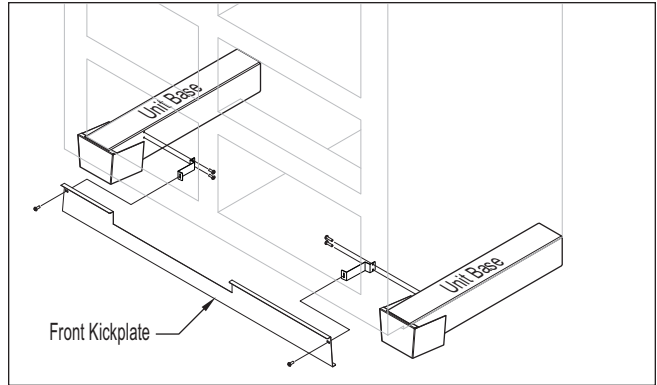


Figure 2. Attach Side Bracket Kickplate Supports and New Front Kickplate

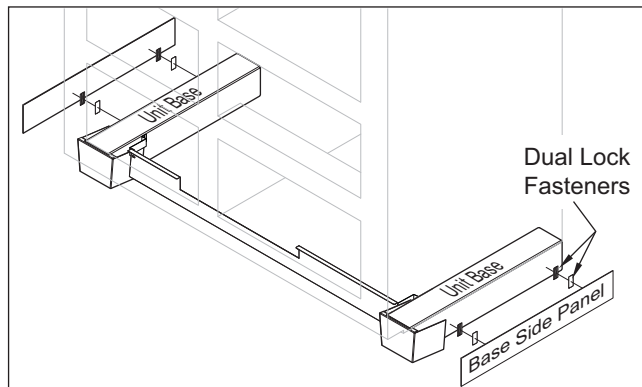


Figure 3. Base Side Panels

