

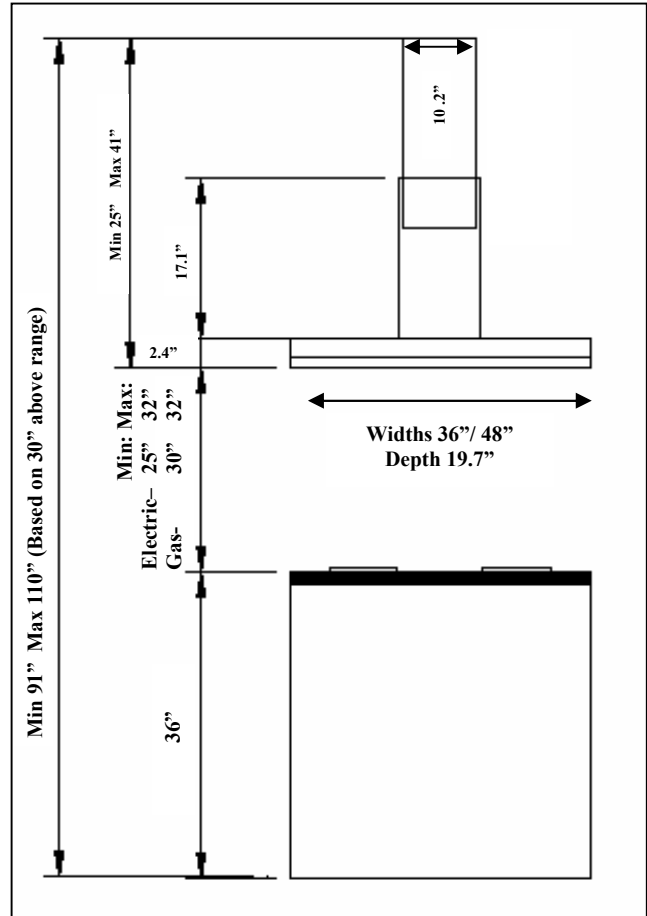
Specification Sheet

Model SU31

Canopy wall mount range hood



Dimensions and installation measurements



Product Features:

- Wall mount hood
- For use over domestic cooking equipment
- 6" round vertical ducting - not supplied
- 600cfm die cast aluminum squirrel cage blower
- Very quiet operation at 61Db/3.9 sones maximum
- Brushed stainless steel
- 4 speed push button settings
- Dishwasher safe aluminum grease filter
- Grease filter is high density with quick release latch
- 2 20W halogen lights
- 10 minute timer
- Heat sensor overload protection
- Separate re-circulating kit available
- Telescopic decorative flue fits variable heights
- Bracket mounting template for ease of installation

Optional Items:

- Ductless re-circulating kit - code KF2D1 (Requires 6" ducting- not supplied)
- Baffle Filter- LBR
- Replacement grease filter - code AF2
- Replacement charcoal filter - code KF2
- Replacement halogen bulbs -Globe H 20w
- Chimney extensions - CE 2



Notes and comments:

Sirius Range Hoods - USA and Canada

Tel: +866 528-4987 Fax: +866 365-9204 email: info@siriushoods.com

Specification Sheet

Model SU31

Canopy wall mount range hood

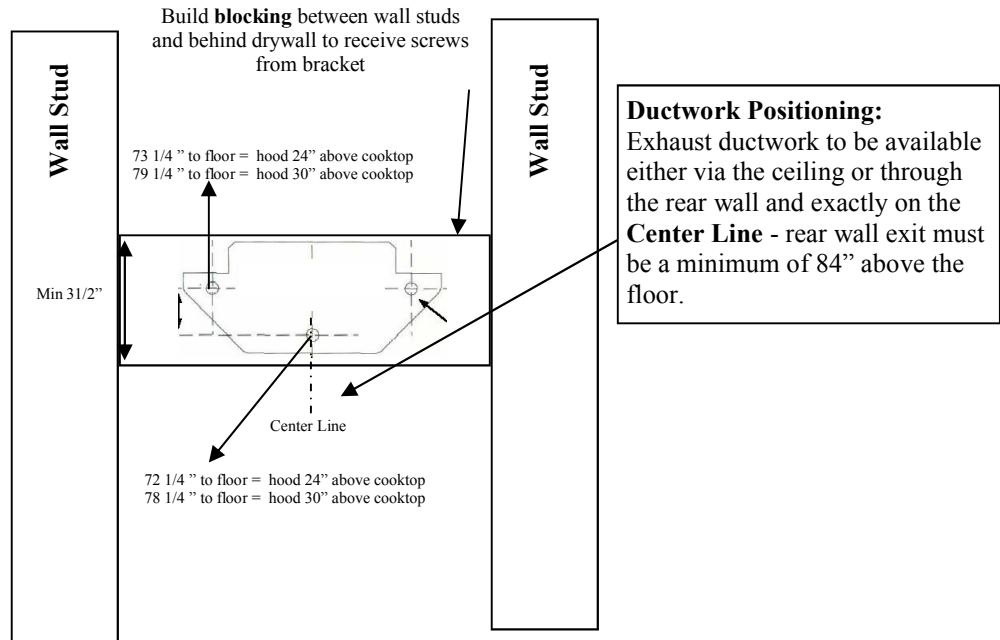


Sirius

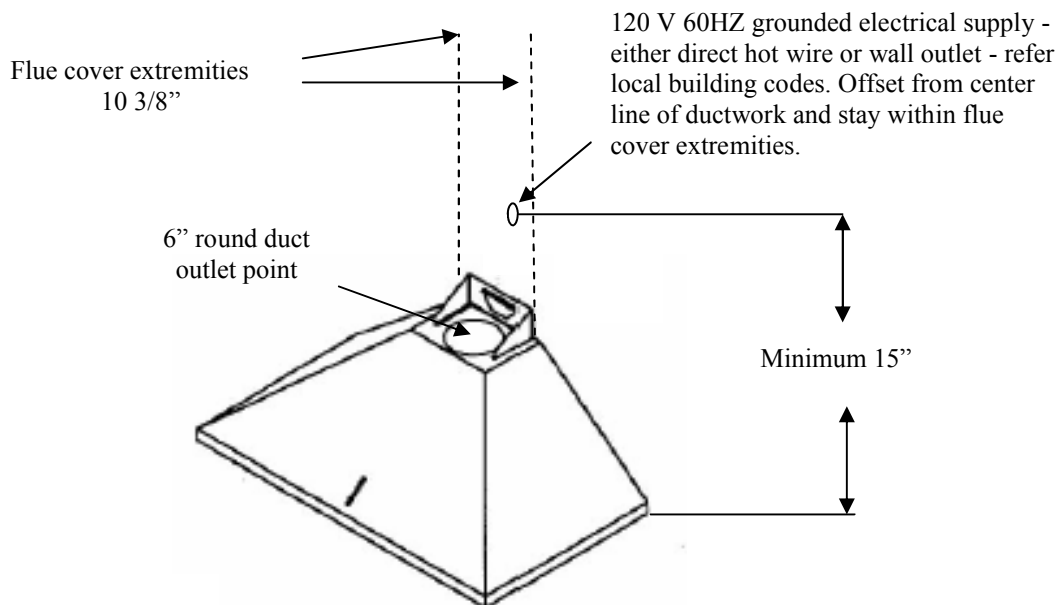
Range Hoods

Sirius Range Hoods Ltd accepts no liability for any errors or omissions in this document and it is provided for guidance only - we reserve the right to change any information presented here in from time to time.

Preparation of wall structure to receive mounting bracket



Preparation of Wiring location



Sirius Range Hoods - USA and Canada

Tel: +866 528-4987 Fax: +866 365-9204 email: info@siriushoods.com