

**NEW CONTROLS**

**Stilo**

**Designer Collection**

a tranquil sculpture

- wall canopy rangehood
- sleek styling
- 600 cfm PRO motor
- Silent Kit noise reduction
- halogen lights with dimmer
- 4 Speed LED display control
- 30 minute auto off timer
- stainless steel baffle filters
- modified pro depth
- convertible to ductless\*
- Easy Cube mounting system
- sone range: 3.5 - 6.5
- 6" round duct
- Uses 25% less energy than previous model



With simple lines and minimal styling, the Stilo exudes modern tranquility.

\* it is highly recommended that professional style cooking always be vented to the outside.



**Size/Color/Model #**

24 Stainless	STIL24SS
30 Stainless	STIL30SS
36 Stainless	STIL36SS
48 Stainless	STIL48SS



NOW WITH A NEW LED DISPLAY WITH ELECTRONIC TOUCH CONTROLS, 2 LEVEL LIGHTING, 30 MINUTE AUTO SHUT OFF, AND 10 MINUTE INTENSIVE SPEED CONTROL

a  
c  
c  
e  
s  
s  
o  
r  
i  
e  
s

**High Ceiling Chimney Kit**

One 40" upper chimney to replace 16 1/8" upper chimney that came with the hood  
Stainless HIGH1

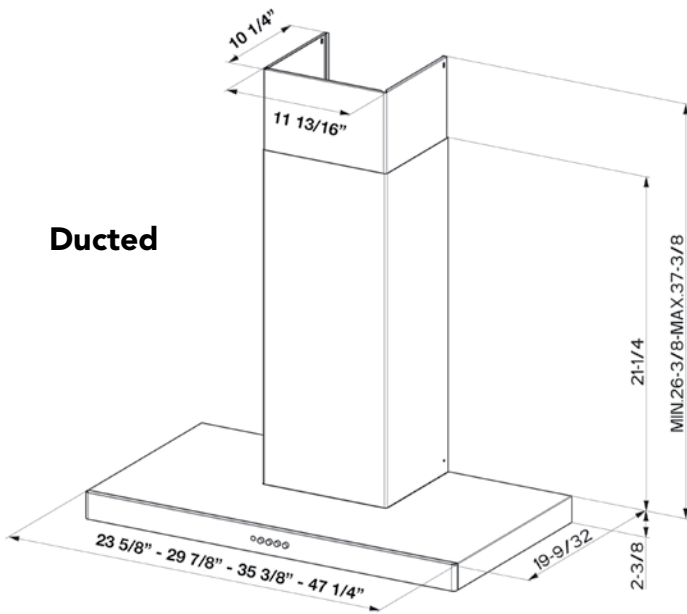
**Ductless Conversion Kit**

Includes: • Lower Chimney with holes for ducting  
• Ductless Diverter Assembly • Vent Grates  
• Charcoal Filter

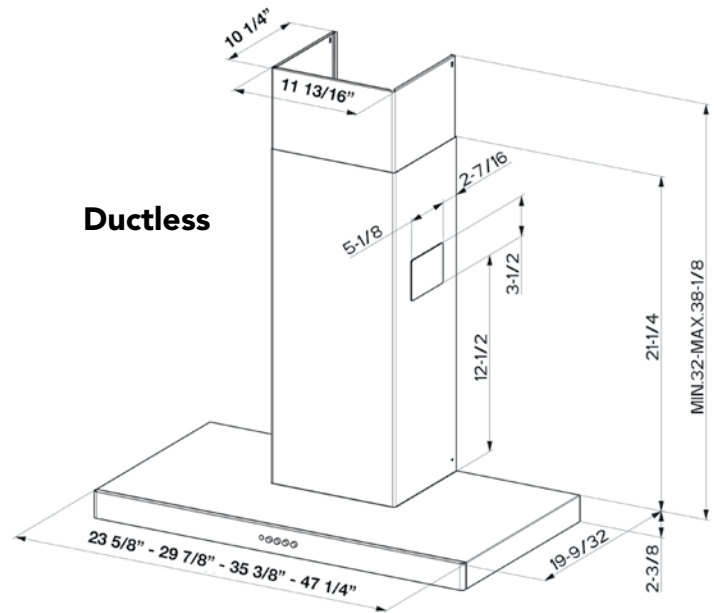
Stainless DUCT1

**Replacement Charcoal Filter** FILTER2

# Dimensional Diagrams

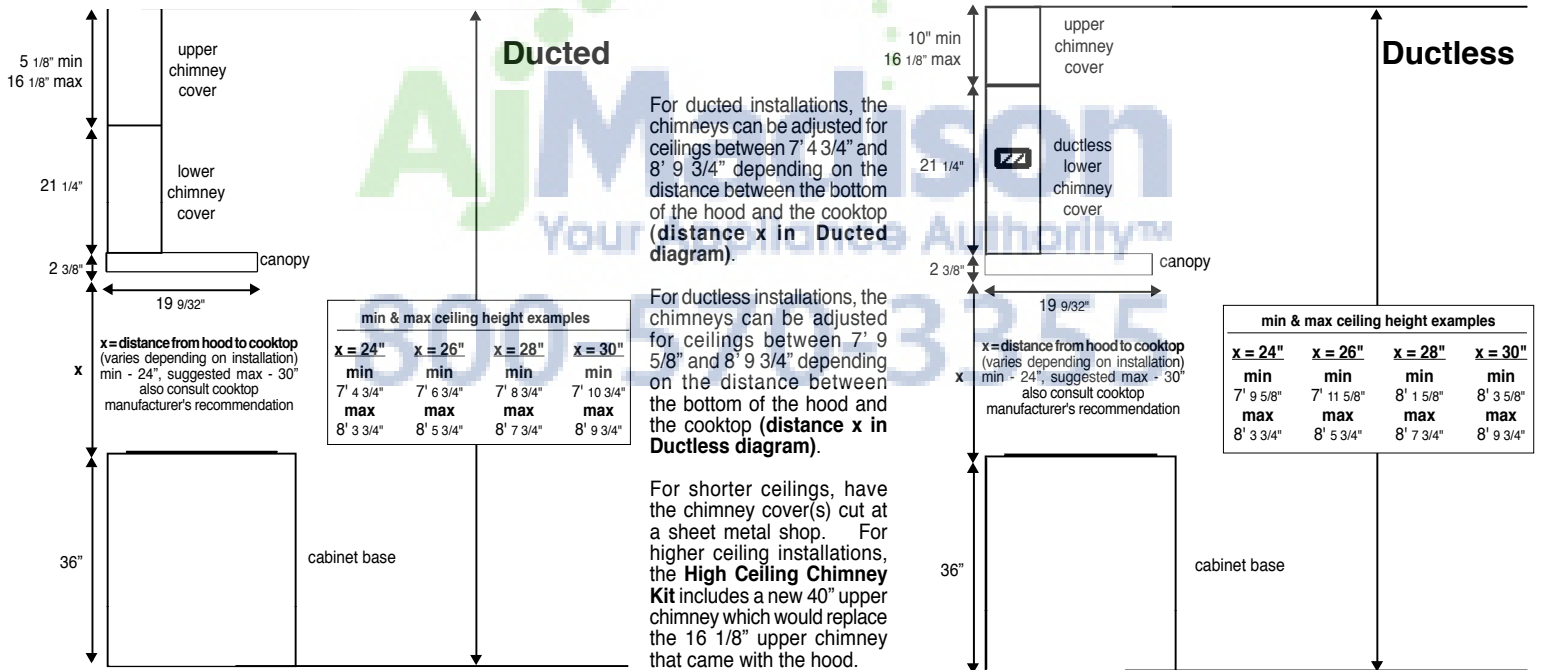


**Ducted**



**Ductless**

**Pre-Planning Your Installation - Important:** Consult the installation instructions before you begin installing this rangehood.

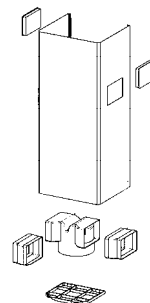


Note: If 24" or 30" High Backsplash is being installed, the distance between the bottom of the hood and the cooktop (**distance x in diagram**) is equal to the height of the Backsplash.

**Pre-Planning Your Installation - Important:** Consult the installation instructions before you begin installing this rangehood.

Make your ductrun as straight and short as possible. The ductrun should not exceed 35 equivalent feet if ducted with the required minimum of 6" round duct. Count 45° angles as 3 feet, 90° elbows as 5 feet, and 90° flat elbows as 12 feet.

**For best results, use no more than three 90° elbows. Make sure that there is a minimum of 24" of straight duct between elbows if more than one is used. Do not install two elbows together. If you must elbow right away, do it as far away from the hood's exhaust opening as possible.**



## Ductless Installations\*

For installations where ductwork is impossible or highly impractical, a **Ductless Conversion Kit** is available. A charcoal filter, which attaches under the blower assembly, absorbs smoke and odors. A ductless diverter assembly directs the air out to a lower chimney with vent grates cut into the sides.

**\* it is highly recommended that professional style cooking always be vented to the outside.**

**WARNING!** Product specifications are subject to change without notification. Consult the installation instructions before you begin installing this rangehood.