



SPFF51OS2D



34" x 23.63" x 23.63" (H x W x D)

Two-drawer outdoor frost-free all-freezer in stainless steel, commercially listed for built-in or freestanding use

Highlights:

Commercially listed to NSF-7 standards

Easy temperature management with a digital thermostat

Deluxe interior comes fully featured for user convenience

Flexible design allows built-in or freestanding use in 24" spaces

Product Features:

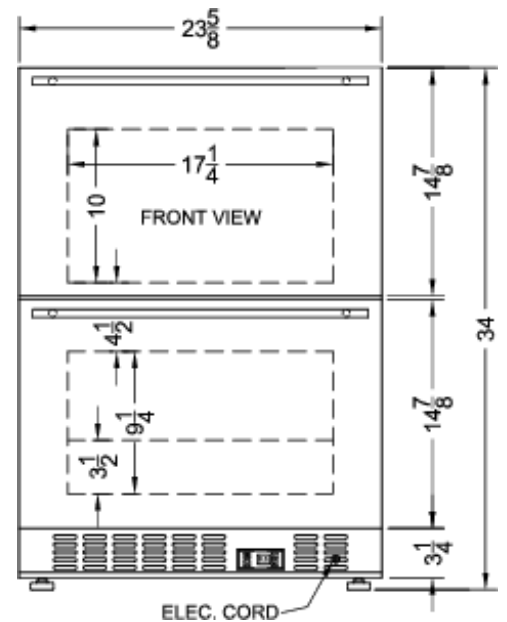
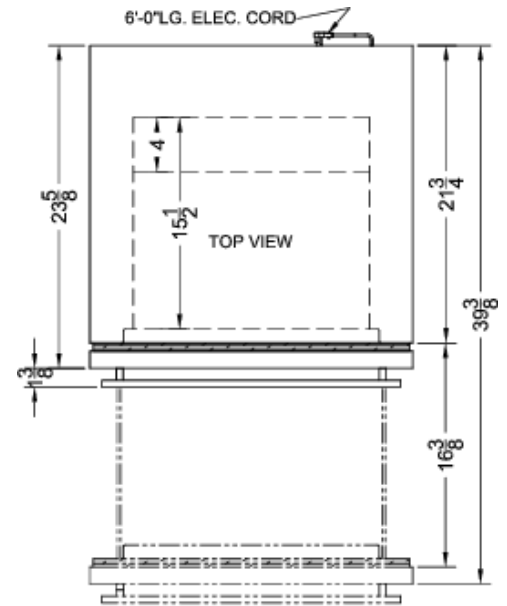
Weatherproof design	Designed and constructed for durable use in the outdoors
Commercially approved	ETL-S listed to NSF-7 Standards for use in commercial establishments
Built-in capable	Make the best use of space by installing your appliance under the counter and flush with other cabinets
Stainless steel exterior	Cabinet and drawers are fully constructed from weatherproof stainless steel
Frost-free operation	No-frost operation for minimum user maintenance
Two sliding drawers	Slide-out drawers offer 3.4 cu.ft. of interior storage
Digital thermostat	Electronic controls ensure easy temperature management, with an external readout in Celsius or Fahrenheit
LED lighting	Elegant and efficient lighting offers a gentle illumination for the drawer interiors
Professional handles	Sleek stainless steel handles add an elegant touch to any setting



SPFF51OS2D Specifications:

Overview	
Height	34.0"
Width	23.63"
Depth	23.63"
Depth with Handle	25.0"
Depth with door at 90°	39.38"
Capacity	3.54 cu.ft.
Defrost Type	Frost-Free
Door	Stainless Steel
Cabinet	Stainless Steel
US Electrical Safety	ETL
Canadian Electrical Safety	ETL-C
Sanitation	ETL-S
Energy Usage/Year	405.0kWh/year
Amps	0.8
Voltage/Frequency	115 V AC/60 Hz
Weight	106.0 lbs.
Shipping Weight	140.0 lbs.
Parts & Labor Warranty	1 Year
Compressor Warranty	5 Years
Freezer	
Door Swing	Drawer
Thermostat Type	Digital
Interior Light	Yes
Fan Type	Interior and Exterior
Refrigerant Type	R600a
Refrigerant Amount	1.24 oz.
High Side PSI	270.0
Low Side PSI	105.0
Interior Drawers	Yes
Drawers Qty	2
Interior Height - Drawer 1	9.25"
Interior Width - Drawer 1	17.25"
Interior Depth - Drawer 1	15.5"
Interior Height - Drawer 2	10.0"

Interior Width - Drawer 2	17.25"
Interior Depth - Drawer 2	15.0"
Compressor Step Height	3.5"
Compressor Step Width	17.25"
Compressor Step Depth	4.0"



SUMMIT APPLIANCE DIVISION FELIX STORCH, INC.

770 Garrison Avenue, Bronx, NY 10474 USA TEL 718-893-3900 FAX 844-478-8799 info@summitappliance.com www.summitappliance.com