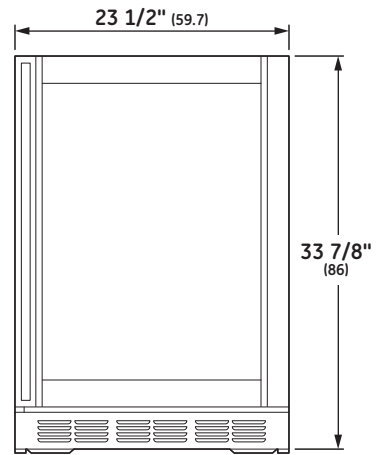
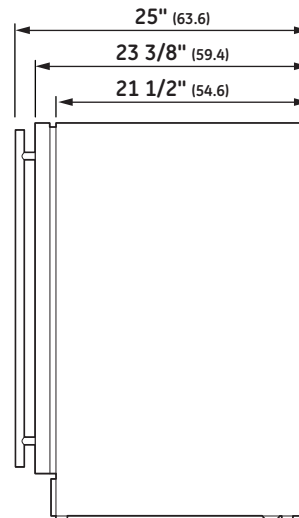




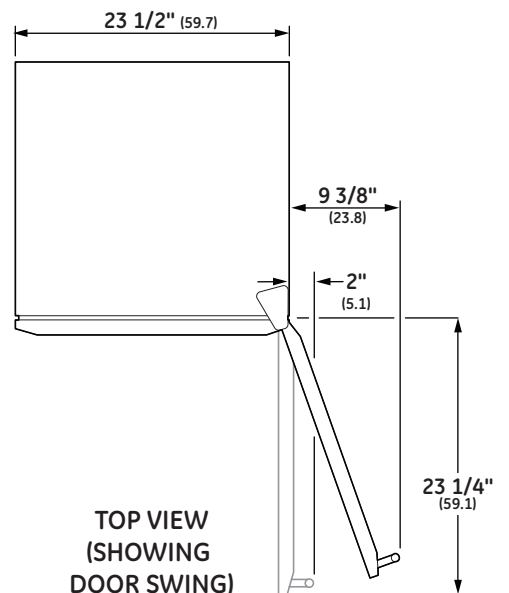
OVERALL DIMENSIONS



FRONT VIEW



SIDE VIEW



TOP VIEW  
(SHOWING  
DOOR SWING)

SPECIFICATIONS

Overall Width	23 1/2" (59.7 cm)
Overall Height	33 7/8" (86 cm)
Overall Depth	23 3/8" (59.4 cm)
Door Clearance	9 3/8" (23.8 cm) @ 110° 2" (5.1 cm) @ 90° 23 1/4" (60.6) door length
Overall Capacity	5.5 cu. ft.
Minimum Cabinet Width	23 3/4" (60.3 cm)
Minimum Cabinet Depth	24" (60.9 cm)
Cutout Width	23 3/4" (60.3 cm)
Cutout Height	34 1/2" (87.7 cm) Min 35" (89 cm) Max
Electrical Requirements	1.2 A
Voltz/Hertz/Amps	120 V, 60 Hz, 15 or 20 amp circuit
Shipping Weight	146 lb (66 kg)

ATTENTION ELECTRICIAN:

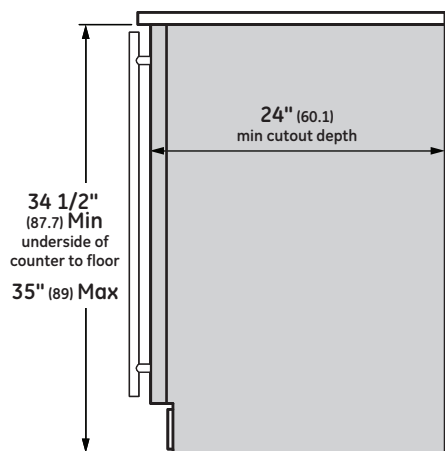
A 115 volt 60Hz., 15 or 20 amp power supply is required. An individual properly grounded branch circuit or circuit breaker is recommended. Install a properly grounded 3-prong electrical receptacle recessed into the back wall.

Dimensions in parentheses are in centimeters unless otherwise noted.

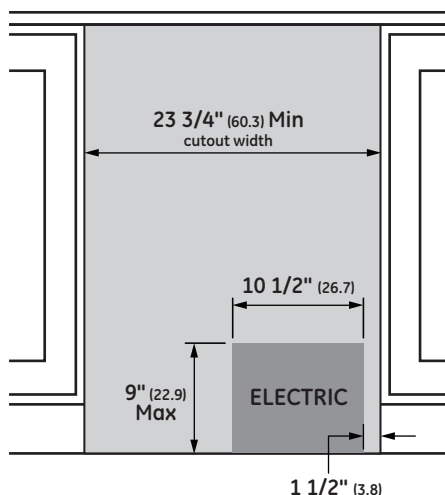
Actual product dimension may vary due to manufacturing tolerances.



INSTALLATION



FLUSH CUTOUT INSTALLATION  
SIDE VIEW



INSTALLATION CUTOUT  
FRONT VIEW

NOTES

The cutout depth must be 24".

The cutout dimensions shown allow for a full door swing and access to the pull-out racks when installed as a built-in.

- The wine reserve can be free-standing.

Note: If installing between frameless cabinets, a 1/2" wide filler strip or side panel may be required. The filler strip will act as a spacer between the door case and adjacent cabinet and will prevent interference with cabinet door swing. The width of the opening must include filler panels.

- Wine reserve is vented at the front toekick to allow built-in undercounter installation.

## FEATURES AND BENEFITS

## ADJUSTABLE TEMPERATURE CONTROL

Maintains a consistent temperature

## RED OR WHITE WINE TEMPERATURE SETTING

Maintain the ideal temperature for aging or serving wine

## LED TEMPERATURE DISPLAY

Allows you to monitor the temperature at a glance

## FULL-EXTENSION SLIDING WINE RACKS

Positions bottles either horizontally or vertically to maximize space

## UNFINISHED HEART-OF-CHERRY WOOD WINE SHELF FRONTS

Can be finished to complement surrounding cabinetry

## UV RESISTANT, TEMPERED GLASS DOOR

Affords a full view of wine reserve contents

## FLUSH INSTALLATION

Allows near-seamless integration with surrounding cabinetry

## REVERSIBLE DOOR SWING

Easily reversed to left or right door swing as needed

## STAINLESS STEEL TUBULAR HANDLE

Designed to coordinate with other Monogram appliances

## SOFT INTERIOR LIGHTING

Automatically illuminates when the door is open, but can be activated by an internal on/off switch



ZDWR240HBS - wine reserve with digital controls

