



18 cu. ft. Top-Freezer Refrigerator

WRT138FZD



Monochromatic Stainless Steel
WRT138FZDM

Also available in:



White

WRT138FZDW



Black

WRT138FZDB

Capacity

Total Capacity	18 cu. ft.
Refrigerator Capacity	13 cu. ft.
Freezer Capacity	5 cu. ft.

General Features & Properties

Electronic Temperature Controls
EZ Connect Icemaker Kit
Freezer Temperature Controls
ADA Compliant
#1 Selling Appliance Brand in the U.S.A.*

Electrical Details

Amps	15 or 20
Volts	115

Certifications

ADA Compliant	Yes
ENERGY STAR® Certified	Yes

Technical Details

Refrigerator Type	Top-Freezer
Number of Doors	2
Number of Interior Refrigerator Shelves	3
Number of Refrigerator Door Bins	5 Fixed
Number of Interior Freezer Shelves	1
Number of Freezer Door Bins	2 Fixed
Lighting Type	Incandescent
Ice Maker	Optional
Ice Maker Location	Freezer
Dispenser Type	N/A

Dimensions

Product Dimensions (H x W x D)	65-7/8" x 29-3/4" x 33-1/2"
Depth with Door Open 90°	59-3/4"
Cutout Dimensions	Allow extra 1/2" on sides and top Allow extra 1" on rear

Reference Material

[Dimension Guide](#)

[Use & Care Guide](#)

[Energy Guide](#)

[Warranty](#)

Key Features & Benefits

Flexi-Slide™ Bin

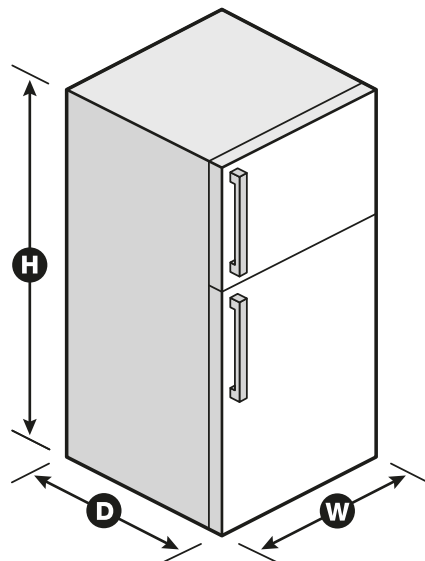
Make space for tall items with the bin that quickly and easily moves side to side.

Quiet Cooling

Keep noise down in the kitchen with quiet cooling.

ENERGY STAR® Certified

ENERGY STAR® certified models help save money on your utility bills.



*Based on 12-month average of unit sales. Refrigeration, Cooking, Dishwashers and Laundry appliances. TraQline 2018. NOTE: Dimensions are for planning purposes only. For complete details, see Installation Instructions packed with product. Specifications subject to change without notice. ©/™ © 2020. All rights reserved. Printed in the U.S.A. D200052XXC. WRT138FZDSPECSHEETV01.