



2.2 cu. ft. Countertop Microwave

UMC5225G



Fingerprint Resistant Stainless Steel
UMC5225GZ

Also available in:

- White **UMC5225GW**
- Black **UMC5225GB**

Capacity

Total	2.2 cu. ft.
-------	-------------

General Features & Properties

Built-In Trim Kit (Optional)

Sensor Cooking

Control Lockout Option

Add 30 Seconds Option

Variable Cooking Power

Popcorn Button

Mesh Grease Filter

ADA Compliant

Electrical Details

Amps	15
------	----

Volts	120
-------	-----

Certifications

ADA Compliant	Yes
---------------	-----

Technical Details

Microwave Type	Countertop
----------------	------------

Lighting Type	Incandescent
---------------	--------------

Dimensions

Product Dimensions (H x W x D)	12-9/16" x 24" x 19-5/8"
-----------------------------------	--------------------------------

Reference Material

[Install Guide](#)

[Use & Care Guide](#)

[Warranty](#)

Key Features & Benefits

Fingerprint Resistant Stainless Steel

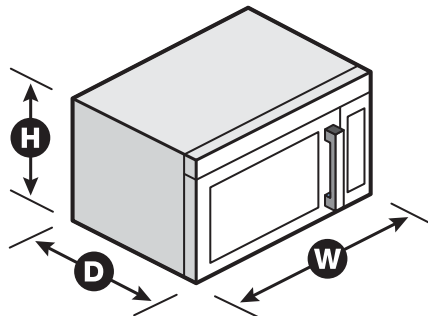
Easy-to-clean, fingerprint resistant stainless steel keeps your microwave looking as good on the outside as it works on the inside.

2.2 cu. ft. Capacity

With 2.2 cu. ft. capacity, you can enjoy the space to heat or cook in your large casserole dishes and pans that are usually left to the oven.

Countertop Design

Built tough to take on your cooking needs, this countertop microwave brings powerful features that are an easy reach away.



NOTE: Dimensions are for planning purposes only. For complete details, see Installation Instructions packed with product. Specifications subject to change without notice.

®/™ © 2020. All rights reserved. Printed in the U.S.A. D200104XXE. UMC5225GSpecSheetV01.