

INSTRUCTION MANUAL
SLOW JUICER

EN

MANUEL D'UTILISATION
EXTRACTEUR DE JUS

FR

MANUAL DE USO
EXTRACTOR DE JUGO

ES



Dear Customer,

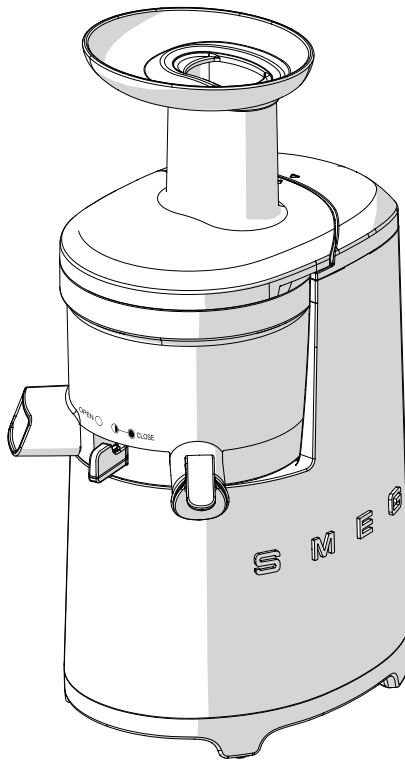
Thank you for choosing our slow juicer.

By choosing one of our products, you have selected an appliance which combines iconic style with innovative technical design and attention to detail.

This appliance coordinates perfectly with other Smeg products, or works equally great as a standalone statement piece in your kitchen.

We hope you enjoy using your new appliance!

For further information about the product please visit: www.smeg50style.com or www.smegusa.com.



Model SJF01
Slow juicer

Contents

1 Instructions	6
1.1 Introduction	6
1.2 User Manual	6
1.3 Intended use	6
1.4 Manufacturer liability	7
1.5 Identification plate	7
1.6 Disposal	7
2 Description	8
2.1 Product description	8
3 Use	9
3.1 Before first use	9
3.2 Assembly	10
3.3 Using the slow juicer	12
4 Cleaning and Care	16
4.1 Instructions	16
4.2 Maintenance	16
4.3 Cleaning the surfaces	16
4.4 Cleaning the slow juicer	16
4.5 Removing the seals and rotating brush for cleaning	16
4.6 What to do if...	18

Important Safeguards

WARNING: If the instructions contained in this manual are not followed precisely, fire or explosion may result causing property damage, personal injury or death.



READ AND SAVE THESE INSTRUCTIONS - Your safety and the safety of others are very important.

We have provided many important safety messages throughout this manual and on the appliance.

Read all the instructions before using the appliance and always obey all safety messages.



Important Safeguards



RECOGNIZE SAFETY INFORMATION

This is a safety alert symbol. This symbol alerts you to potential hazards that can result in severe personal injury or death.

UNDERSTAND SIGNAL WORDS

A signal word - DANGER, WARNING or CAUTION - is used with the safety alert symbol. DANGER denotes the most serious hazards. It means you could be killed or seriously injured if you do not immediately follow the instructions. WARNING means you could be killed or seriously injured if the instructions are not followed. CAUTION indicates a potentially hazardous situation, which, if not avoided, could result in minor to moderate injury.

WARNING



- This appliance is intended for use in the home only.
- Use this appliance only for its intended purpose. The manufacturer cannot be held liable for damage caused by improper use of this appliance.
- This appliance complies with current safety regulations. Improper use of this appliance can result in personal injury and material damage.
- Read all the instructions before installing or using the appliance for the first time.
- Keep these operating instructions in a safe place and pass them on to any future user.

The safety messages will inform you of potential hazards, on how to avoid the risk of injury and what can occur if the instructions are not followed.

IMPORTANT: Observe all codes and ordinances in force.

WARNING: For your safety, the instructions contained in this manual must be followed to minimize the risk of fire or explosion and to prevent property damage, personal injury or death.

Do not store or use gasoline or other flammable vapors, liquids or materials near this or any other appliance.



NOTE: This appliance is NOT designed for installation in manufactured (mobile) homes or in recreational vehicles (RVs).

DO NOT install this appliance outdoors.

Important Safeguards



WARNING



To reduce the risk of fire, electrical shock, personal injury, or damage when using the appliance, follow basic safety precautions, including the following:

The following basic safety precautions apply when using electrical appliances.

- When using electrical appliances, basic safety precautions should always be followed. Read all instructions.
- To protect against risk of electrical shock, do not immerse the main body (motor) in water or any other liquid.
- Close supervision is necessary when any appliance is used near children.
- Unplug from outlet when not in use, before assembling or taking off parts and before cleaning.
- Avoid contact with moving parts.
- Do not operate any appliance with a damaged cord or plug, or after the appliance malfunctions, or is dropped or damaged in any manner. Return appliance to the nearest authorized service facility for examination, repair or electrical or mechanical adjustment.
- The use of attachments not recommended or sold by the manufacturer may cause fire, electric shock or injury.
- Do not let the cord hang over the edge of a table or counter.
- Always make sure that the hopper is securely fastened in place before the motor is turned on. Do not unfasten the hopper while the juicer is in operation.
- Be sure to turn the switch to off position after each use of your juicer. Make sure that the motor stops completely before disassembling.
- Do not put your fingers or other objects into the juicer while it is in operation. If food gets stuck in the outlet, use the pusher provided or another piece of fruit or vegetable to push it down. In case this cannot be done, turn the motor off and disassemble the juicer to remove the remaining food.
- Do not use outdoors.
- Do not place on or near a hot gas or electric burner or in a heated oven.
- Do not use the appliance for other than its intended use.

SAVE THESE INSTRUCTIONS



Important Safeguards

1 Instructions

1.1 Introduction

Important information for the user:

Instructions



General information on this user manual, on safety and final disposal.

Description



Description of the appliance and its accessories.

Use



Information on the use of the appliance and its accessories, advice regarding preparations.

Cleaning and care



Information for correct cleaning and care of the appliance.



Safety instructions



Information



Advice

1.2 User Manual

This user manual is an integral part of the appliance and must therefore be kept in its entirety and in an accessible place for the whole working life of the appliance.

1.3 Intended use

- The appliance is designed exclusively for home use.
- Do not use the appliance for anything other than the intended use.
- Use the appliance indoors.
- The appliance can be used to extract fruit and vegetable juices for various preparations.
- The appliance is not designed to operate with external timers or with remote-control systems.
- This appliance must not be used by people (including children) of reduced physical, sensory or mental capacity, or lacking in experience in the use of electrical appliances, provided that they are supervised or instructed by adults who are responsible for their safety.



The California Safe Drinking Water and Toxic Enforcement Act requires the Governor of California to publish a list of substances known to the State of California to cause cancer, birth defects or other reproductive harm, and requires businesses to warn customers of potential exposure to such substances.

Important Safeguards



Warning

- This product contains a chemical known by the State of California to cause cancer, birth defects or other reproductive harm.
- This appliance can cause low-level exposure to some of the substances listed, including benzene, formaldehyde, carbon monoxide, toluene, and soot.

1.4 Manufacturer liability

The manufacturer shall not be held responsible for personal injuries or property damage caused by:

- Any use of the appliance other than the one it was designed for.
- Not having read the user manual.
- Tampering with any part of the appliance.
- The use of non-original spare parts.
- Not following the safety instructions.

1.5 Identification plate

The identification plate bears the technical data, serial number and brand name of the appliance.

Do not remove the identification plate for any reason.

1.6 Disposal



Power voltage

Danger of electrocution

- Disconnect the main power supply.
- Unplug the cord from the wall outlet.

Old appliances should not be disposed of together with household waste!

To comply with applicable legislation, old appliances, on reaching the end of their useful lives, should be taken to a disposal facility where they can be sorted. In this way, any valuable material contained in the old appliances can be recycled, helping to protect the environment. The relevant local authorities or their waste disposal operators can provide further information.

The slow juicer is packed in non-polluting and recyclable materials.

- Dispose of the packaging materials at an appropriate disposal facility.



Plastic packaging

Danger of suffocation

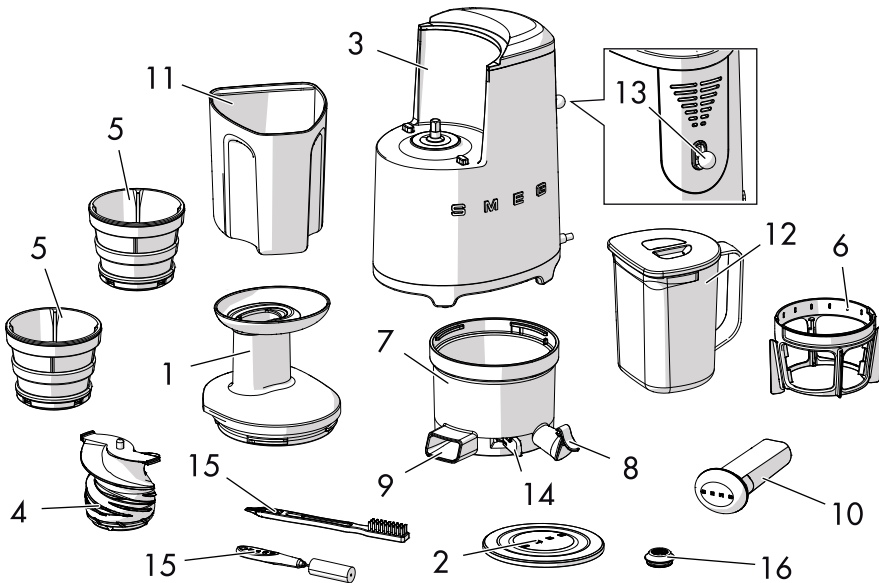
- Do not leave the packaging or any part of it unattended.
- Do not let children play with the plastic bags.



Description

2 Description

2.1 Product description



Slow juicer - model SJF01

- | | |
|-------------------------------|---|
| 1 Hopper | 11 Pulp container |
| 2 Hopper lid | 12 Juice jug with lid |
| 3 Motor body | 13 Lever switch/Reverse function lever switch |
| 4 Auger | 14 Juice density regulation lever |
| 5 Strainers (fine and coarse) | 15 Cleaning brushes |
| 6 Rotating brush | 16 Seal |
| 7 Juice collector bowl | |
| 8 Juice outlet | |
| 9 Pulp outlet | |
| 10 Pusher | |

i The utensils and accessories intended to come into contact with food are made of materials that comply with the provisions of current legislation.



3 Use



Electrical Shock Hazard

- Plug into a grounded 3-prong outlet.
- Do not remove the ground prong.
- Do not use an adapter.
- Do not use an extension cord.
- Failure to follow these instructions can result in death, fire, or electrical shock.

Volts: 120 Volts AC only.

Hertz: 60 Hz



Your appliance has a 3-prong grounded plug. To reduce the risk of electrical shock, this plug will fit into an outlet only one way. If the plug does not fit in the outlet, contact a qualified electrician. Do not modify the plug in any way.

- Do not use an extension cord. If the power supply cord is too short, have a qualified electrician or service technician install an outlet near the appliance.
- A short power supply cord (or detachable power supply cord) should be used to reduce the risk resulting from becoming entangled in or tripping over a longer cord.
- Longer detachable power supply cords or extension cords are available and may be used if care is taken when using them.

If a longer detachable power supply cord or extension cord is used:

- The marked electrical rating of the power supply cord or extension cord should be at least as great as the electrical rating of the appliance.
- The cord should be arranged so that it will not hang over the countertop or tabletop where it can be pulled on by children or tripped over unintentionally.
- If the appliance is of the grounded type, the extension cord should be a grounded, 3-prong cord.

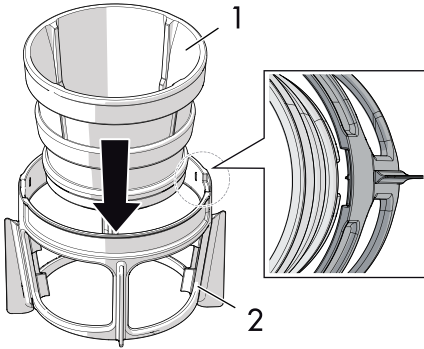
3.1 Before first use

1. Remove any protective packaging from the outside or inside of the appliance, and its accessories.
2. Remove any labels (apart from the technical data plate) from the appliance, its parts and components.
3. Clean the parts and components of the appliance (see "4 Cleaning and Care").
4. Clean the body of the appliance using a damp cloth.
5. Dry the components thoroughly and install them.

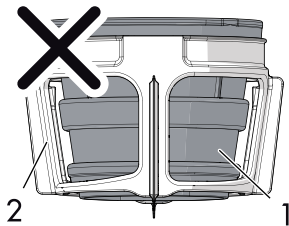
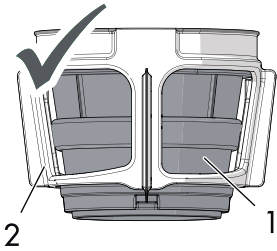


3.2 Assembly

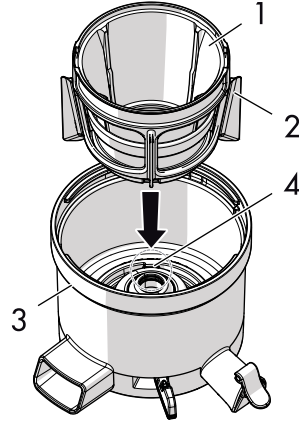
1. Insert the strainer (1) into the slots on the rotating brush (2) until it locks into position.



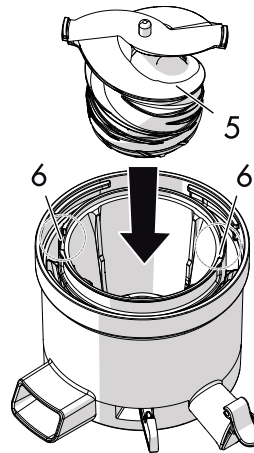
2. Check that the strainer (1) is correctly positioned inside the rotating brush (2).



3. Position the strainer unit (1) and rotating brush (2) inside the juice collector bowl (3) so as to insert the unit into the slots (4) on the bottom of the bowl.

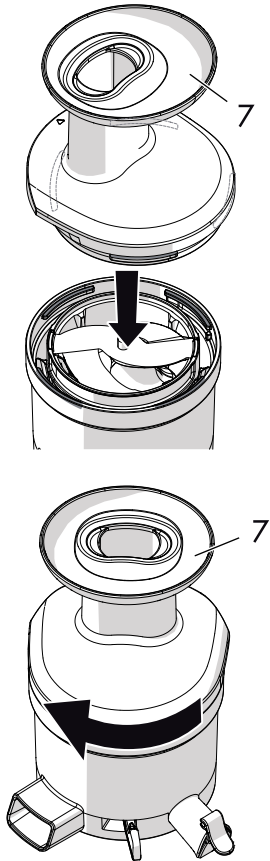


4. Position the auger (5) by turning it so that it fits into the slots (6) on the rotating brush (2).

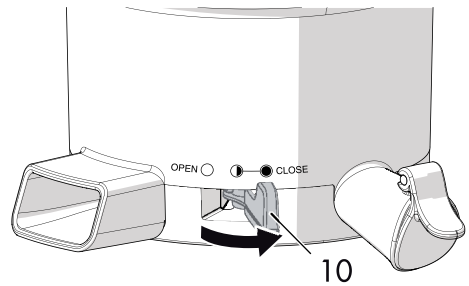
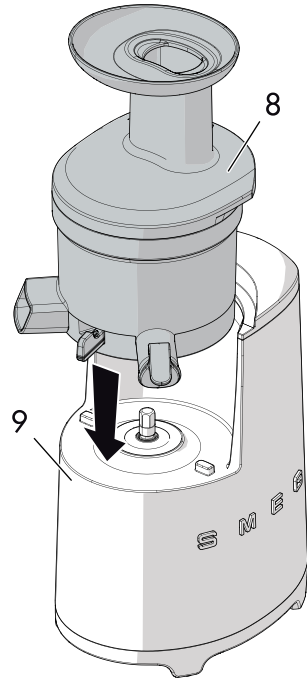




5. Place the hopper (7) onto the bowl, turning it clockwise until it locks into position.



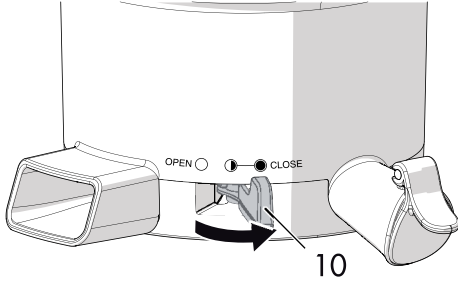
6. Install the assembled unit (8) onto the motor body (9). Make sure that the juice density regulation lever (10) is in the **CLOSE** position.



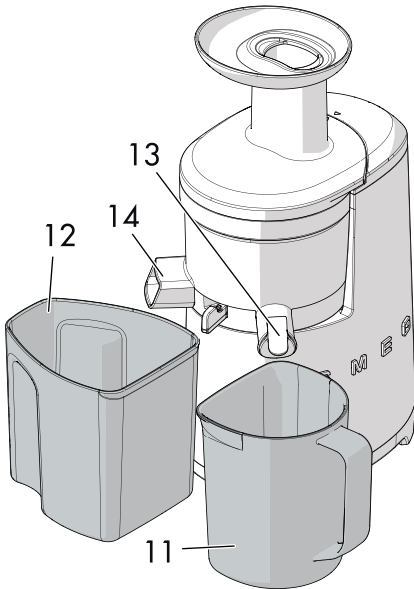


3.3 Using the slow juicer

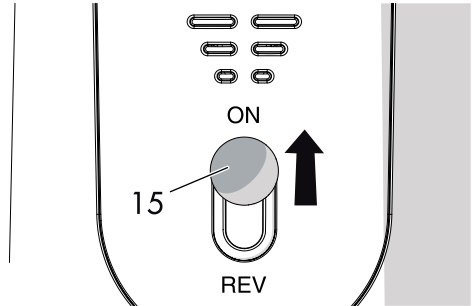
1. Check that the juice density regulation lever (10) is in the **CLOSE** position before starting the appliance.



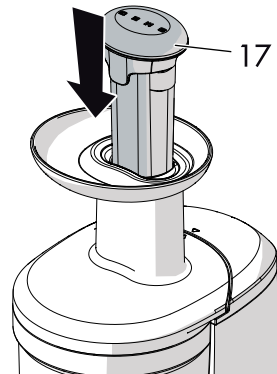
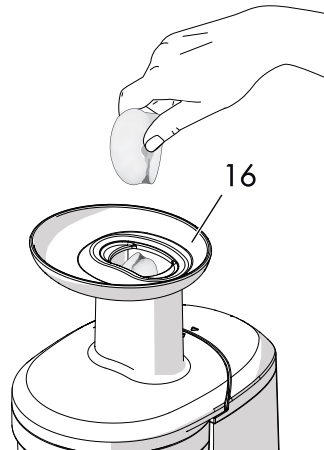
2. Place the juice jug (11) and the pulp container (12) under the relative outlets (13) and (14).




3. Push the lever switch upwards (15) to start the juicer.

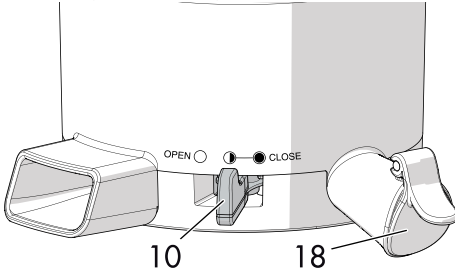


4. Introduce the ingredients into the feed chute of the hopper (16) a little at a time using the pusher provided (17).

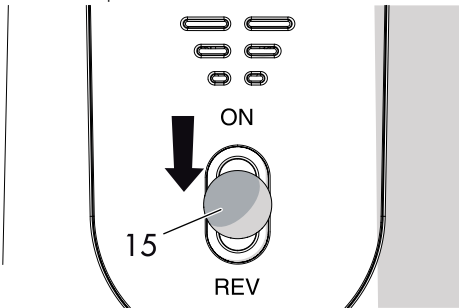




5. Open the juice outlet (18) before the juice collector bowl becomes full and move the juice density regulation lever (10) to the half-open position  before adding the last ingredients.



6. When juicing is complete, stop the juicer, placing the lever switch (15) to the middle position.



How to use the juice density regulation lever

CLOSE position

Use the lever in the **CLOSE** position during the initial phases of fruit or vegetable juice extraction.

HALF-OPEN position

Use the lever in the **HALF-OPEN** position during the last phases of juicing, when the final ingredients are introduced and when removing residues.

If semi-hard ingredients are used such as grapes, pomegranates, blackberries, etc. move the lever into this position as soon as the juice starts to exit from the outlet.



OPEN position

Use the lever in the **OPEN** position when cleaning the juice collector bowl.

Advice for using the juice density regulation lever

Ingredients:

Apples, pears, melon, strawberries, blueberries, plums, peaches, cherries, pineapple, orange, lemon, grapefruit. Carrots, ginger, potatoes, beetroot, broccoli, cauliflowers, cucumbers, cabbage, savoy cabbages, spinach, walnuts, almonds.

1. Place the lever in the **CLOSE**  position before juicing.
2. When juicing is nearly complete, move the lever to the **HALF-OPEN**  position.



Use



- Remove the seeds or stones from fruit such as persimmons, apricots, lemons, plums, peaches, etc. before juicing.
- Stalk vegetables with tough fibres such as celery, fennel, cardoons, etc. should be cut into pieces of approximately 3-4 cm.
- Do not introduce sesame seeds, coffee beans or peppercorns.
- Do not introduce fruit or vegetables preserved in alcohol, sugar, honey, etc. They could damage the appliance or cause it to malfunction.
- It is best to consume the juice from leafy green vegetables and fruit immediately after juicing for a better absorption of vitamins and nutrients.





Moving parts Risk of personal injury or damage to the appliance

- Do not operate the appliance for more than 30 minutes at a time. Leave the appliance to cool down and wait 5 minutes before starting it again.
- Do not insert fingers, forks or spoons into the juice and pulp outlets. This could cause personal injury or damage the appliance.
- Keep hands, hair, clothing, spatulas and other objects away from the feed chute of the hopper to avoid personal injury or damage to the appliance.
- Only use the pusher provided to push the ingredients into the feed chute of the hopper.


Seed fruit:

Grapes, pomegranates, kiwi fruit, blackberries.

1. Place the lever in the **CLOSE**  position before juicing.
2. When the juice starts to come out, move the lever to the **HALF-OPEN**  position.

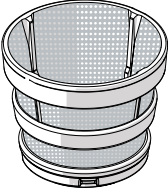
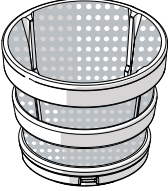
Ingredients to mix with milk:

Bananas, strawberries, blueberries, etc.

1. Move the lever to the **CLOSE**  position.



Advice on which strainer to use

Strainer	Suitable for
<p>Fine</p> 	Pure fruit or vegetable juices.
<p>Coarse</p> 	Dense juices containing pieces of pulp, smoothies, milk shakes or soups.

How to use the REVERSE function

The **REVERSE** function is used when the auger stops during operation:

- Keep the lever switch pressed downwards for 3-5 seconds at a time. Repeat this process 2-3 times.



The **REVERSE** function pushes the ingredients upwards, releasing the auger and allowing the appliance to operate correctly.



If the auger continues to stop during operation, unplug the power cable, remove the juice collector bowl and clean it.



Cleaning and Care

4 Cleaning and Care

4.1 Instructions



Improper use
Danger of electrocution

- Switch off and unplug the appliance before cleaning it and its parts.



Improper use
Risk of damage to surfaces

- Do not use steam jets to clean the appliance.
- Do not use cleaning products containing chlorine, ammonia or bleach on steel parts or parts with metallic finishes on the surface (e.g. anodizing, nickel- or chromium-plating).
- Do not use abrasive or corrosive detergents (e.g. powder products, stain removers and metallic sponges).
- Do not use rough or abrasive materials or sharp metal scrapers.

4.2 Maintenance

All service should be performed by an authorized service representative.

4.3 Cleaning the surfaces

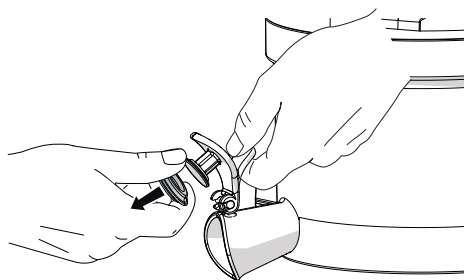
To keep the surfaces in good condition, they should be cleaned regularly after use. Let them cool first.

4.4 Cleaning the slow juicer

1. Remove the hopper, auger, bowl, strainer and rotating brush assembly from the juicer body and disassemble it into its various parts.
2. Use the cleaning brushes provided to clean and wash the parts under running tap water.
3. Clean the body of the juicer using a damp cloth.
4. Dry parts thoroughly before reinstalling them.

4.5 Removing the seals and rotating brush for cleaning

- **Juice outlet seal:** Open the juice outlet cap and hold the juice collector bowl and outlet steady with one hand and remove the seal with the other.

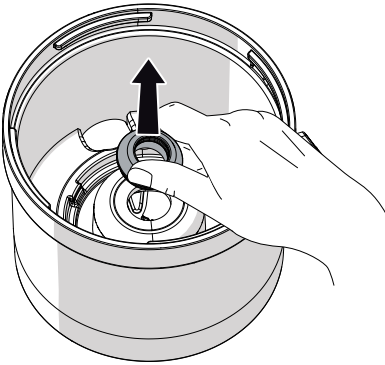


Cleaning and Care

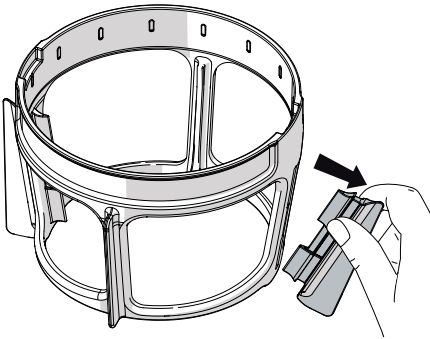


EN

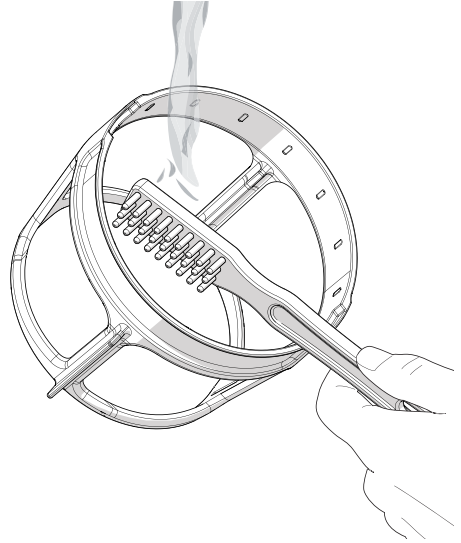
- **Juice collector bowl seal:** Grasp the seal on the bottom of the bowl and lift upwards to remove it.



- **Rotating brush:** Remove the blades as shown.



- Use the cleaning brush provided to clean the internal and external parts of the rotating brush unit under running tap water.



Clean and wash the slow juicer immediately after use. Residues may dry out and make disassembly and cleaning difficult, as well as affect the operation of the appliance.



Cleaning and Care

4.6 What to do if...

Problem	Probable cause	Solution
The appliance does not work	The plug is not properly inserted into the power socket.	Insert the plug into the power socket. Do not use adaptors or extension cords. Check that the main power switch is turned on.
	The hopper has not been installed properly.	Make sure that the hopper is installed properly following the assembly instructions.
It is not possible to detach the hopper	Excessive residue.	Place the lever into the half-open position and run the appliance in order to remove the residues. Activate the REVERSE function for 3-4 seconds at a time. Repeat 2-3 times.
	Presence of hard seeds.	In case of hard seeds, activate the REVERSE function in order to push the ingredients towards the feed chute of the hopper.
The auger stops during operation	The container is too full.	Use the REVERSE function. If the problem persists, contact an authorized service centre.
The juice drips onto the outside of the juicer body	Excessive quantity of ingredients in the hopper feed chute.	Remove some of the ingredients and introduce them gradually.

Cleaning and Care



Problem	Probable cause	Solution
The juice collector bowl does not fit onto the juicer body	Lever is in the OPEN position.	Before fitting the bowl onto the juicer body make sure that the lever is in the CLOSE position.
The juice collector bowl vibrates when the juice is being extracted	Hard ingredients (carrots, chicory, beetroot, etc.).	A slight vibration is normal, especially when processing hard ingredients.



If the problem has not been resolved or in the case of other types of fault, contact your local technical support centre.

The manufacturer reserves the right to make any changes deemed useful for improvement of its products without prior notice. The illustrations and descriptions contained in this manual are therefore not binding and are merely indicative.

Le fabricant se réserve la faculté d'apporter, sans préavis, toutes les modifications qu'il jugera utiles pour l'amélioration de ses produits. Les illustrations et les descriptions figurant dans ce manuel ne sont pas contraignantes et n'ont qu'une valeur indicative.

El fabricante se reserva el derecho a aportar sin aviso previo todas las modificaciones que considere útiles para la mejora de sus propios productos. Las ilustraciones y las descripciones contenidas en este manual no comprometen, por tanto, al fabricante y tienen un valor meramente indicativo.



914777074/B