

SHADE

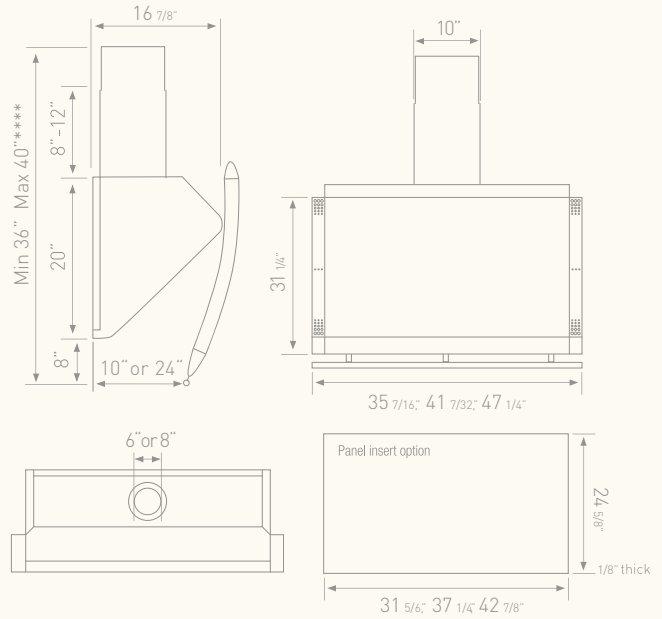
The Shade fuses Cheng's drive for expression with his playful ingenuity, pairing elegant, stainless steel curves with interchangeable front panels that allow for a range of design options. Featuring a hinged canopy that can be tucked away when not in use, the Shade is as fluid as the seasons—and a creative element in your home's evolving identity.



Jun Feng Cheng
CHENG DESIGN BY ZEPHYR



CHENG DESIGN BY ZEPHYR



SHADE

WALL

MODEL	CSH-E36SX	CSH-E42SX	CSH-E48SX
SIZE	36"	42"	48"
*BLOWER-OPTIONS			
Internal Blower (600 cfm)	CBI-600	CBI-600	CBI-600
External Blower (1000 cfm)	CBE-1000	CBE-1000	CBE-1000
Internal Blower CFM	600	600	600
External Blower CFM	1000	1000	1000
Sones (Internal Blower)	6	6	6
COLOR/FINISH			
***Stainless Steel/S	S	S	S
FEATURES & ACCESSORIES			
Controls	Touch	Touch	Touch
Stainless Steel Baffle Filters	1	2	2
Speed Levels	3	3	3
Lighting	Halogen 50w GU-10	Halogen 50w GU-10	Halogen 50w GU-10
Dual Level Lighting	Yes	Yes	Yes
Remote Control (infrared)	Yes	Yes	Yes
DUCT SPECIFICATIONS			
Internal Blower Ducting	6"	6"	6"
External Blower Ducting	8"-10"***	8"-10"***	8"-10"***
Recirculating	No	No	No
Extension Kit Option	Yes up to 12'	Yes up to 12'	Yes up to 12'

***Standard Duct Cover	Min ceiling height 8 feet; Min. ceiling height at 24" above cooking surface; 60" from floor.	Max. ceiling height 9 feet; Max. ceiling height at 32" above cooking surface; 68" from floor.
***Duct Cover Extension	Min. ceiling height 9.33 feet; Min. ceiling height at 24" above cooking surface; 60" from floor.	Max. ceiling Height 12 feet; Max. ceiling height at 32" above cooking surface; 68" from floor.

* Blowers not included with hoods, order blower option separately. ** Run 10" round duct work from external blower to the ceiling bracket. Before duct work passes through the ceiling bracket, use a 10" to 8" transition adaptor (included) and run 8" duct. *** Bamboo panel sold separately. Hood comes with stainless steel front panel. ****Shade height is measured from bottom of door when fully open. Distance from bottom of hood body to bottom of open door is 8".



Zephyr Corporation

395 Mendell Street
San Francisco, CA 94124

1.888.880.VENT

www.zephyronline.com dec05_0102

