

best®



Models IC35I90B & IC35I90W

ENGLISH.....	2
FRANÇAIS.....	25
ESPAÑOL.....	49

In USA - BEST Hartford, Wisconsin
In CANADA - BEST Drummondville, QC, Canada

REGISTER YOUR PRODUCT ONLINE AT : www.BestRangeHoods.com/register
For additional Information visit www.BestRangeHoods.com

READ AND SAVE THESE INSTRUCTIONS

⚠ INTENDED FOR DOMESTIC COOKING ONLY ⚠

⚡ ⚠ WARNING

TO REDUCE THE RISK OF FIRE, ELECTRIC SHOCK, OR INJURY TO PERSONS, OBSERVE THE FOLLOWING:

1. Use this unit only in the manner intended by the manufacturer. If you have questions, contact the manufacturer at the address or telephone number listed in the warranty.
2. Before servicing or cleaning unit, switch power off at service panel and lock service panel to prevent power from being switched on accidentally. When the service disconnecting means cannot be locked, securely fasten a prominent warning device, such as a tag, to the service panel.
3. Installation work and electrical wiring must be done by a qualified person(s) in accordance with all applicable codes and standards, including fire-rated construction codes and standards.
4. Sufficient air is needed for proper combustion and exhausting of gases through the flue (chimney) of fuel burning equipment to prevent backdrafting. Follow the heating equipment manufacturer's guidelines and safety standards such as those published by the National Fire Protection Association (NFPA), and the American Society for Heating, Refrigeration and Air Conditioning Engineers (ASHRAE), and the local code authorities.
5. When cutting or drilling into wall or ceiling, do not damage electrical wiring and other hidden utilities.
6. Ducted fans must always be vented to the outdoors.
7. Do not use this unit with any separate solid-state speed control device.
8. To reduce the risk of fire, use only metal ductwork.

WARNING - Improper grounding can result in a risk of electric shock.

Consult a qualified electrician if the grounding instructions are not completely understood, or if doubt exists as to whether the appliance is properly grounded.

Do not use an extension cord. If the power supply cord is too short, have a qualified electrician install an outlet near the appliance.

WARNING

TO REDUCE THE RISK OF A RANGE TOP GREASE FIRE:

- A. Never leave surface units unattended at high settings. Boilovers cause smoking and greasy spillovers that may ignite. Heat oils slowly on low or medium settings.
- B. Always turn hood ON when cooking at high heat or when flambeing food (i.e. Crepes Suzette, Cherries Jubilee, Peppercorn Beef Flambe’).
- C. Clean ventilating fans frequently. Grease should not be allowed to accumulate on fan or filter.
- D. Use proper pan size. Always use cookware appropriate for the size of the surface element.

TO REDUCE THE RISK OF INJURY TO PERSONS IN THE EVENT OF A RANGE TOP GREASE FIRE, OBSERVE THE FOLLOWING:*

1. SMOTHER FLAMES with a close-fitting lid, cookie sheet, or metal tray, then turn off the burner. BE CAREFUL TO PREVENT BURNS. If the flames do not go out immediately, EVACUATE AND CALL THE FIRE DEPARTMENT.
2. NEVER PICK UP A FLAMING PAN - You may be burned.
3. DO NOT USE WATER, including wet dishcloths or towels - violent steam explosion will result.
4. Use an extinguisher ONLY if:
 - A. You know you have a Class ABC extinguisher and you already know how to operate it.
 - B. The fire is small and contained in the area where it started.
 - C. The fire department is being called.
 - D. You can fight the fire with your back to an exit.

* Based on “Kitchen Fire Safety Tips” published by NFPA.

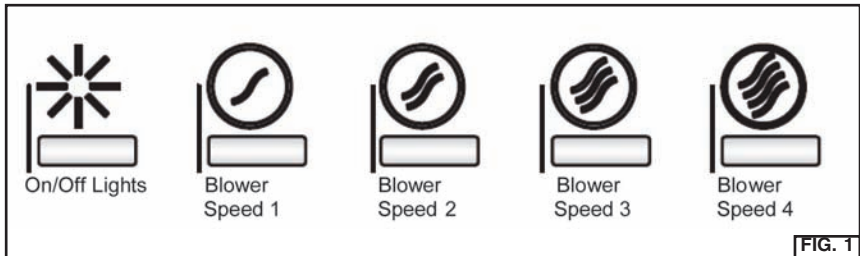
CAUTION

1. For indoor use only.
2. To reduce risk of fire and to properly exhaust air, be sure to duct air outside. Do not vent exhaust air into spaces within walls or ceilings or into attics, crawl spaces, or garages.
3. Take care when using cleaning agents or detergents.
4. Avoid using food products that produce flames under the Range Hood.
5. For general ventilating use only. Do not use to exhaust hazardous or explosive materials and vapors.
6. To avoid motor bearing damage and noisy and/or unbalanced impellers, keep drywall spray, construction dust, etc. off power unit.
7. Your hood motor has a thermal overload which will automatically shut off the motor if it becomes overheated. The motor will restart when it cools down. If the motor continues to shut off and restart, have the hood serviced.
8. For best capture of cooking impurities, the bottom of the hood should be a minimum of 24" and a maximum of 30" above the cooking surface. See “Determine the Hood Mounting Height” section for mounting restrictions.
9. Two installers are recommended because of the large size and weight of this hood.
10. This product is equipped with a thermostat which may start blower automatically. To reduce the risk of injury and to prevent power from being switched on accidentally, switch power off at service panel and lock or tag service panel.
11. Please read specification label on product for further information and requirements.

OPERATION

Controls

The hood is operated using the (5) push buttons located on the underside of the hood. Fig. 1.



Ten Minute Delay

Press Speed 1, Speed 2, or Speed 3 for two seconds when the blower is running at the selected speed. The LED below the button will start blinking to display the delay function. After ten minutes the blower will automatically turn off. If you change the speed while the timer is running, the function will not deactivate. To deactivate the function, press the button with the blinking LED for two seconds. Note: The delay is not available for Speed 4.

Filter Alarm

After 30 hours of blower operation, the filter alarm is activated and all of the LED indicators will turn on. The alarm is activated when the motor is off and the LEDs will remain on for 30 minutes. To deactivate the alarm, press any of the control buttons for two seconds while the LEDs are on.

After 120 hours of blower operation the charcoal filter alarm is activated and all of the LED indicators will blink. The alarm is activated when the motor is off and the LEDs will remain on for 30 minutes. To deactivate the alarm, press any of the control buttons for two seconds while the LEDs are on.

HEAT SENTRY™

Your hood is equipped with a HEAT SENTRY™ thermostat. This thermostat is a device that will turn on or speed up the blower if it senses excessive heat above the cooking surface.

- 1) If blower is OFF - it turns blower ON to HIGH speed.
- 2) If blower is ON at a lower speed setting - it turns blower up to HIGH speed.

When the temperature level drops to normal, the blower will return to its original setting.

WARNING

The HEAT SENTRY™ thermostat can start the blower even if the hood is turned OFF. When this occurs, it is impossible to turn the blower OFF with its switch. If you must stop the blower, do it from the main electrical panel.

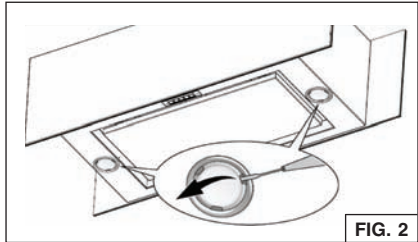
HALOGEN BULBS

This range hood requires two halogen bulbs (Type T4, 120Volt, 25Watt Max, G9 Base).

⚠ WARNING: Always switch off the electrical supply before carrying out any operation on the appliance.

To change bulbs:

1. Open the cover by prying from the proper slots. Fig. 2.
2. Remove the bulbs by pulling sideways. (DO NOT ROTATE).



⚠ CAUTION: Bulbs may be hot.

3. Replace with Type T4, 120Volt, 25Watt Max, G9 Base halogen bulbs. Do not touch replacement bulbs with bare hands!

CLEANING AND MAINTENANCE

Proper maintenance of the Range Hood will assure proper performance of the unit.

Motor

The motor is permanently lubricated and never needs oiling. If the motor bearings make excessive or unusual noise, replace the motor with the exact service motor. The impeller should also be replaced.

Grease Filter and Charcoal Filters

The grease filter should be cleaned frequently, typically when the filter alarm turns on. Use a warm dishwashing detergent solution. Grease filter is dishwasher safe.

Clean all-metal filters in the dishwasher using a non-phosphate detergent. Discoloration of the filter may occur if using phosphate detergents, or as a result of local water conditions - but this will not affect filter performance. This discoloration is not covered by the warranty. See "INSTALL FILTERS" section for removal and installation instructions.

Non-ducted Recirculation Filter

The non-ducted recirculation filter should be changed every 6 months or when the charcoal filter alarm turns on. Replace more often if your cooking style generates extra grease, such as frying and wok cooking. See "INSTALL FILTERS" section for removal and installation instructions.

Stainless Steel Cleaning

DO:

- Regularly wash with clean cloth or rag soaked with warm water and mild soap or liquid dish detergent.
- Always clean in the direction of original polish lines.
- Always rinse well with clear water (2 or 3 times) after cleaning. Wipe dry completely.
- You may also use a specialized household stainless steel cleaner.

DON'T:

- Use any steel or stainless steel wool or any other scrapers to remove stubborn dirt.
- Use any harsh or abrasive cleansers.
- Allow dirt to accumulate.
- Let plaster dust or any other construction residues reach the hood. During construction/renovation, cover the range hood to make sure no dust sticks to the stainless steel surface.

Avoid: When choosing a detergent

- Any cleaners that contain bleach will attack stainless steel
- Any products containing: chloride, fluoride, iodide, bromide will deteriorate surfaces rapidly.
- Any combustible products used for cleaning such as acetone, alcohol, ether, benzol, etc., are highly explosive and should never be used close to a range.

PREPARE THE HOOD

Unpack hood and check contents.

You should receive:

- 1 - Hood Body
- 2 - Decorative Glass Panel
- 2 - Telescopic Mounting Arms
- 2 - Decorative Telescopic Arm Covers
- 1 - Electrical Box & Cover
- 2 - Cover
- 1 - Wiring Clamp
- 2 - Cable Clamp
- 12 - Lag Bolts, M6x60

- 16 - Machine Screws, M4x8
- 8 - Flat Head Screws, 3.9 x 6 mm
- 4 - Lock Washers, 3.9 mm
- 2 - Washers, 16 mm
- 12 - Washer, 12.5 mm
- 1 - Grommet
- 4 - Brass Decorative Screws, M4x16
- 4 - Rubber Protectors
- 2 - Set Screw Kits containing:
 - 13 - M6 Set Screws
 - 1 - Allen Wrench
- 1 - Installation Template
- 1 - Installation Instructions

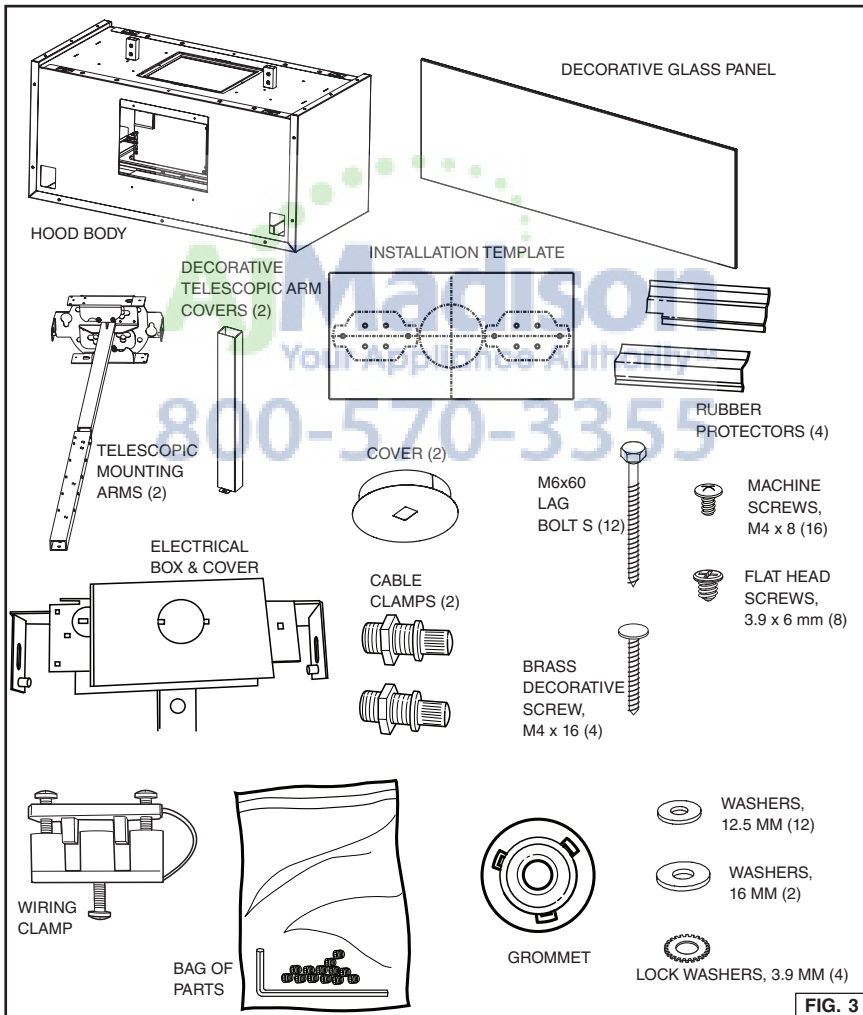
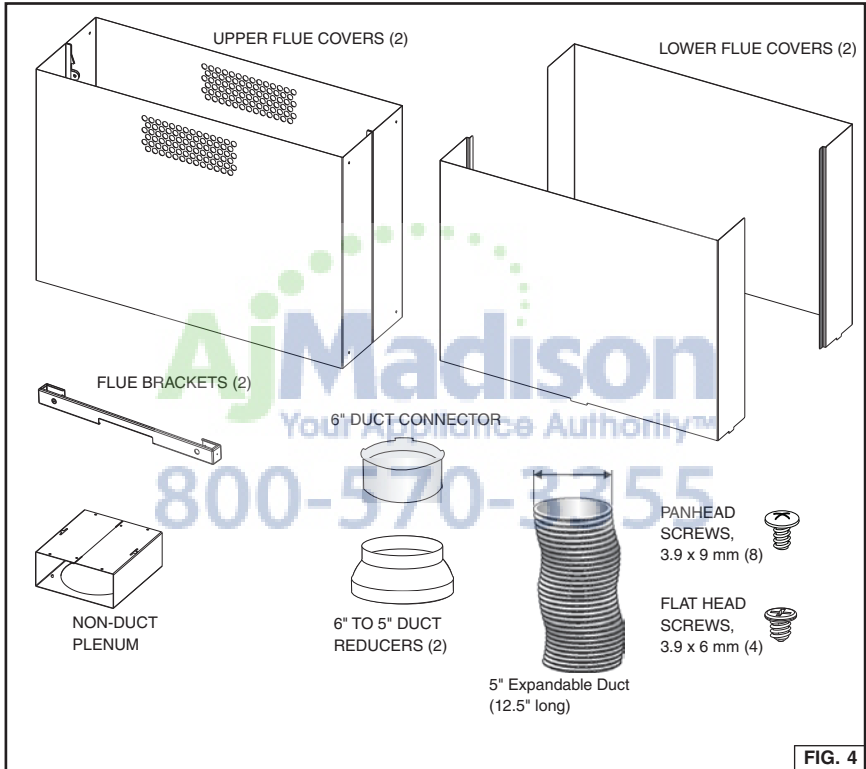


FIG. 3

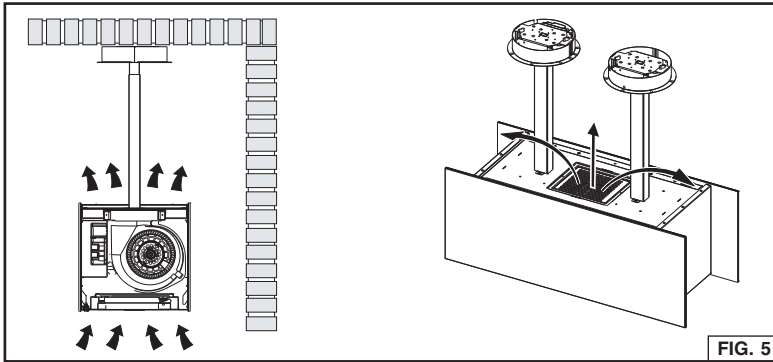
Optional AEIC35SB Ducted & Non-Ducted Flue Kit Contents

- 2 - Upper Flue Covers
- 2 - Lower Flue Covers
- 2- Flue Brackets
- 1 - 5" Expandable Duct (12.5" Long)
- 1 - Non-Duct Plenum
- 1- 6" Duct Connector
- 2 - 6" to 5" Duct Reducers
- 4 - 3.9 x 6 mm Flat Head Screws
- 8 - 3.9 x 9 mm Pan Head Screws

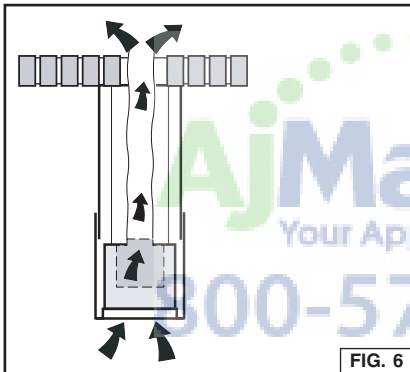


DETERMINE DUCTING CONFIGURATION

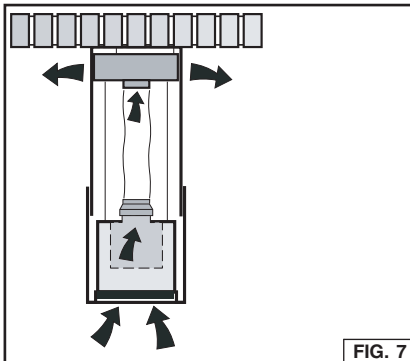
This hood can be ducted in three different configurations:



Non-Ducted with Decorative Support Arm Covers. Fig. 5.



Ducted with Decorative Flue (requires AEIC35SB Ducted & Non-Ducted Flue Kit). Fig. 6.

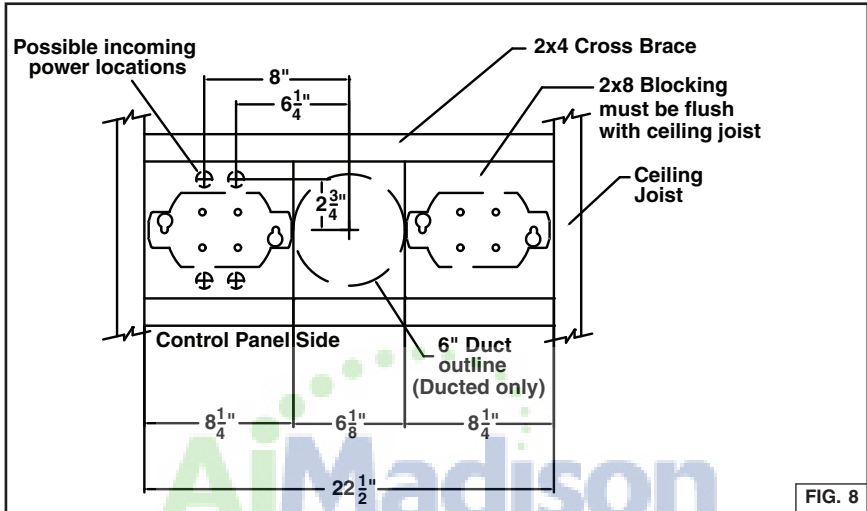


Non-Ducted with Decorative Flue Covers (requires AEIC35SB Ducted & Non-Ducted Flue Kit). Fig. 7.

STRUCTURAL REQUIREMENTS

The total weight of the hood is 63 lbs as supplied and 82 lbs when the ducted flue kit is used. Special structural considerations must be made to ensure proper installation. The mounting brackets need to be mounted to 2" nominal lumber. Hollow wall anchors of any kind should not be used. Fig. 8.

ROUGH-IN DETAILS



ROUGH-IN ELECTRICAL

This hood is hard wired via a junction box located in the hood canopy. Incoming power should be located as shown on the drawings above.

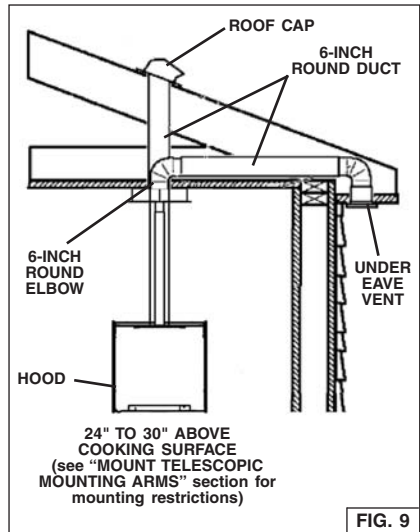
⚠ WARNING: Electrical wiring must be done by a qualified person in accordance with all applicable codes and standards.

INSTALL THE DUCTWORK

DUCTED HOODS ONLY (AEIC35SB required)

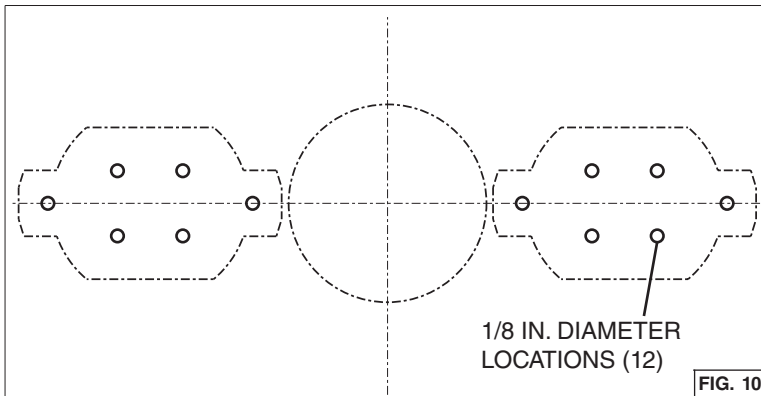
CAUTION: To reduce the risk of fire, use only metal ductwork.

1. Decide where the ductwork will run between the hood and the outside. Fig. 9.
2. A straight, short duct run will allow the hood to perform most efficiently.
3. Long duct runs, elbows, and transitions will reduce the performance of the hood. Use as few of them as possible. Larger ducting may be required for best performance with longer duct runs.
4. Install a roof or wall cap. Connect 6" round metal ductwork to cap and work back towards hood location. Use duct tape to seal the joints between ductwork sections.

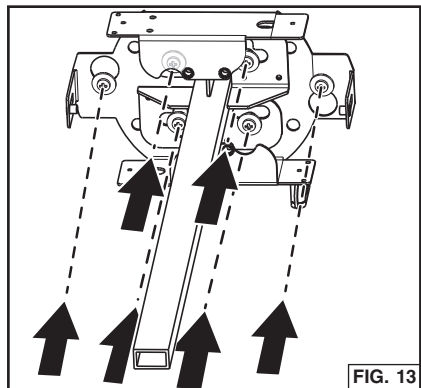
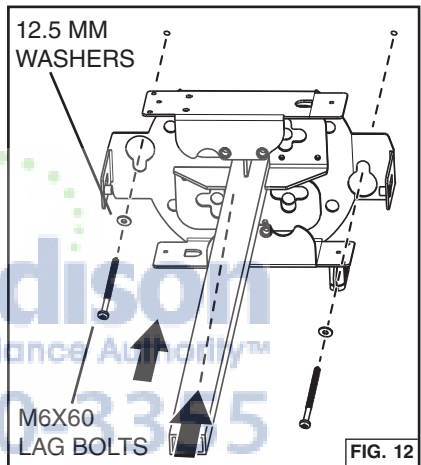
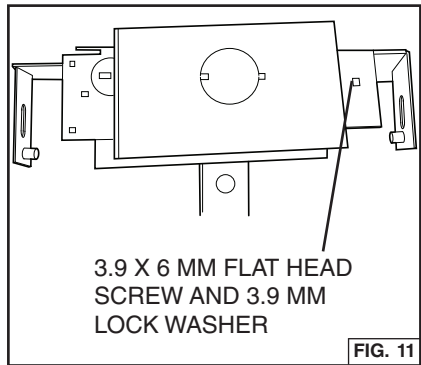



MOUNT TELESCOPIC MOUNTING ARMS

1. Tape the mounting template in place and drill (12) 1/8" diameter holes at the center locations shown. Fig. 10. When complete remove template from ceiling.



2. Mount the junction box to the telescopic arm (see rough in sketch to select proper arm) with (2) 3.9 x 6 mm Flat Head Screws and (2) 3.9 mm lock washers. Fig. 11.
3. Mount the two telescopic arms. Insert the M6 x 60 lag bolts with 12.5 mm washers - mount in the two key hole slots first (2 bolts/arm). Make sure the arms are perpendicular to the ceiling. Fig 12.
4. Insert the remaining four (4) lag bolts per arm. Fig. 13.





 Your Appliance Authority™

 800-570-8305

5. Determine the hood mounting height.

Ceiling Height	Distance Cooktop to Bottom of Hood	Height of assembled telescopic arm assembly					
8 ft	24"	23.5"					
8 ft	26"	21.5"					
9 ft	25"	34.5"					
9 ft <td 26"	33.5"	9 ft	28"	31.5"	9 ft	30"	29.5"
9 ft	28"	31.5"					
9 ft	30"	29.5"					

6. Insert lower telescopic arm (see Fig. 14.) and adjust length to the height as shown in the table above.

7. Insert M6 set screws in all holes that make contact with the lower arm. Make sure there are a minimum of 6 screws per arm. Fig. 15.

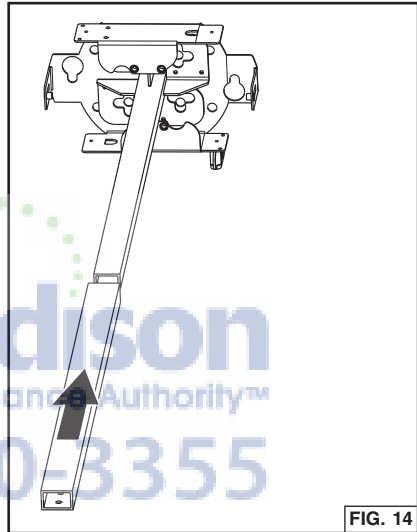


FIG. 14

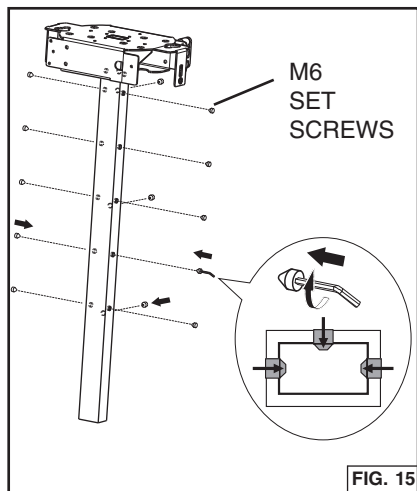


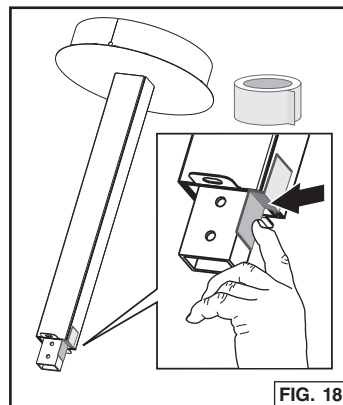
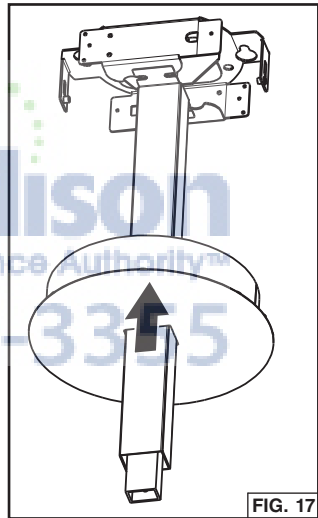
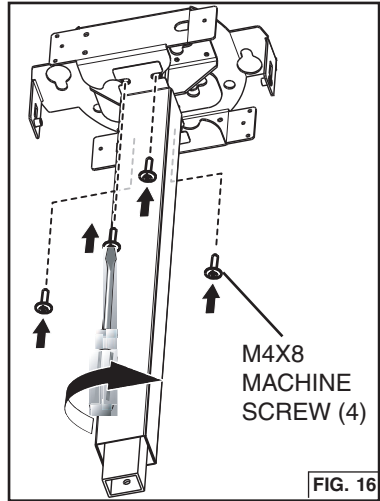
FIG. 15

Note: If the installation will use the AEIC35SB Ducted & Non-Ducted Flue Kit skip to step 11.

FOR STOCK VERSION ONLY

8. Slide on the decorative upper arm cover with four M4x8 machine screws. Fig. 16.
9. Slide on the decorative cover tape temporarily in place (you will need to remove it when making electrical connections). Fig. 17.
10. Slide the lower decorative arm and temporarily tape in place. Fig. 18.

Skip to Step 18.



**FOR AEIC35SB KIT DUCTED FLUE
VERSION**

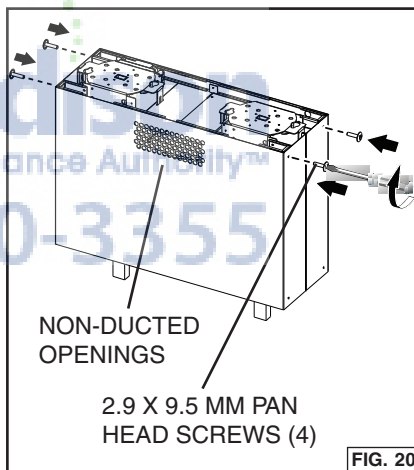
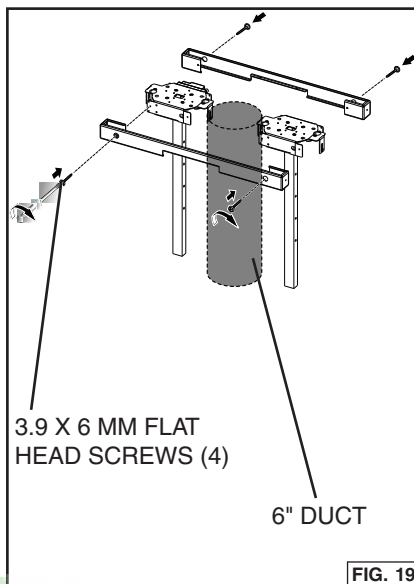
11. Install flue cover brackets to the arm brackets using (4) 3.9 x 6 mm flat head screws and install 6" duct at ceiling inlet. Fig. 19.
12. Temporarily install upper flue covers with (4) 2.9 x 9.5 mm pan head screws (you will need to remove it when making electrical connections). Fig. 20.

Note: The non-ducted openings can be covered on:

- 8-ft. ceiling installations.
- 9-ft. ceiling installations where bottom of hood is 30" above cooktop.

Rotate the flue so the non-ducted openings are at the bottom of the flue.

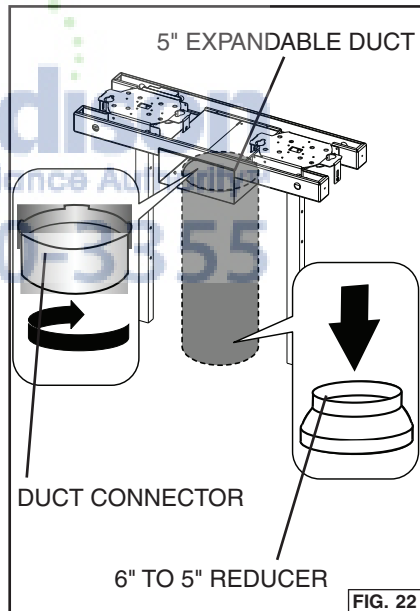
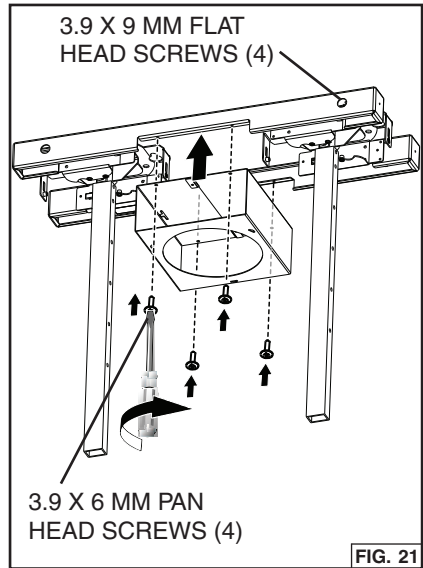
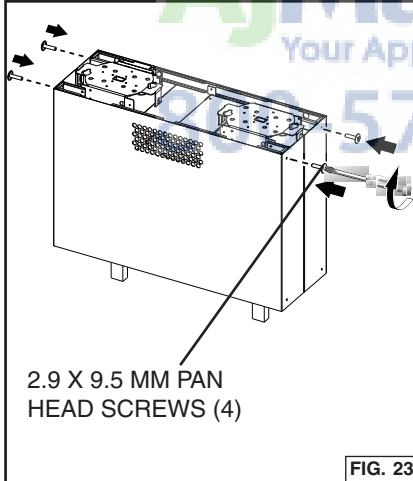
Skip to Step 24.



**FOR AEIC35SB KIT NON- DUCTED
FLUE VERSION**

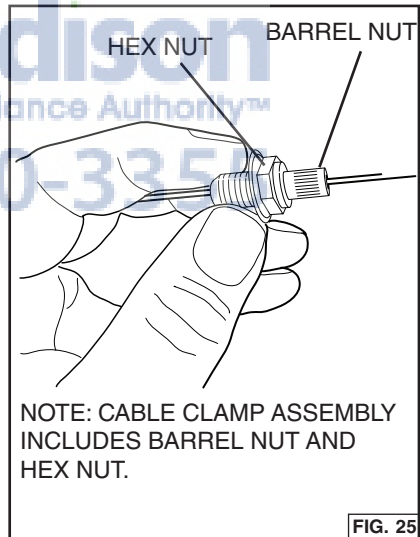
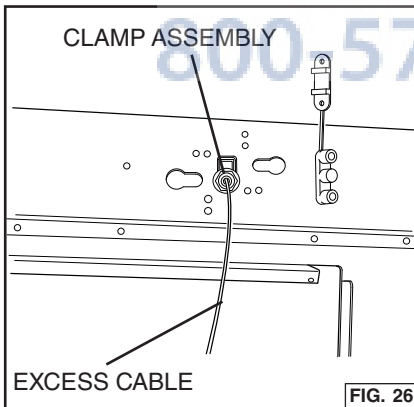
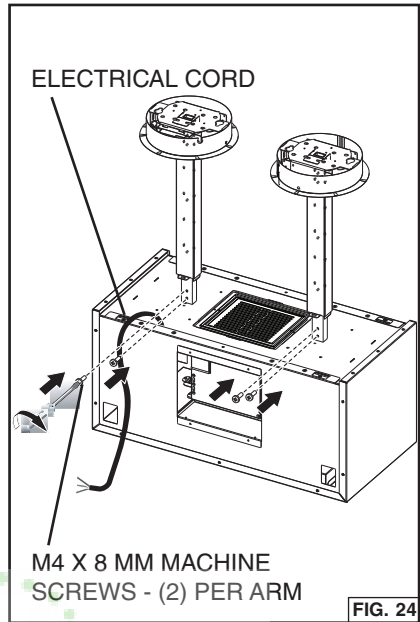
13. Assemble non-duct plenum to duct cover rails with (4) 3.9 x 6 mm pan head screws. Fig. 21.
14. Slide the flue cover rails on the telescopic arms and attach to arm brackets using (4) 3.9 x 9 mm flat head screws. Fig. 21.
15. Install plastic duct connector into non-duct plenum, then install the 6" to 5" reducer and seal with duct tape. Fig. 22.
16. Install 5"x 12.5" expandable duct and seal with duct tape. Fig. 22.
17. Temporarily install upper flue covers with (4) 3.9 x 9 mm pan head screws (you will need to remove it when making electrical connections). Fig. 23.

Skip to Step 24.



18. Remove the grease filter at bottom of hood. Mount the hood onto the telescopic arms using (4) M4x8 machine screws. Fig. 24. Make sure the electrical cord is on the proper arm with the junction box and incoming power. Pull the safety cable from the extension arms into the hood. Fig. 24.
19. Secure safety cables as shown in Fig. 25.
 - A. Push cable through support rods and into hood cavity.
 - B. Slide washer and cable clamp with barrel nut onto cable.

Note: Barrel nut must be slightly backed off of cable clamp and pushed (spring compressed) when sliding assembly onto cable.
 - C. Push clamp assembly all the way to the top of the hood while pushing down on barrel nut. Fig. 26.
 - D. When assembly is all the way to the top inside of hood, completely tighten barrel nut.
 - E. Cut excess cable off.



20. Drop the decorative arm covers and canopy covers. Insert the power wire up through the arm and into the junction box. Fig. 27.
21. Make the wire connections and install the outlet box cover with (2) 3.9 x 6 mm Flat Head Screws and (2) 3.9 mm lock washers. Fig. 28.
22. Install the canopy covers with (4) M4x16 Brass Decorative Screws. Fig. 29.
23. Slide the lower decorative arm down onto the top of the hood and secure with (2) 3.9 x 6 mm Flat Head Screws per arm. Fig. 30.

Go to "INSTALL GLASS PANELS"

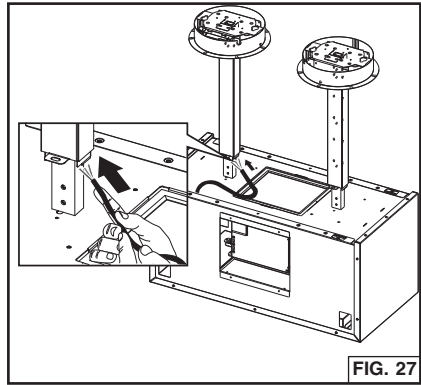


FIG. 27

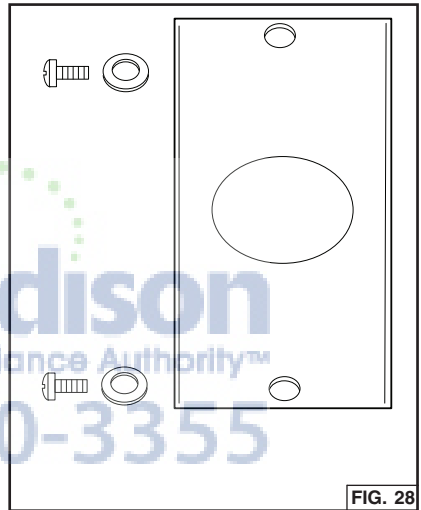
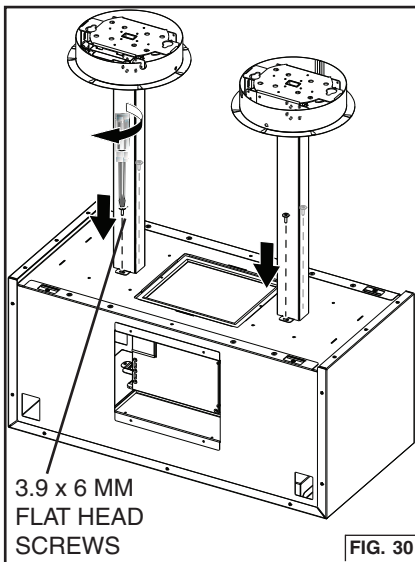
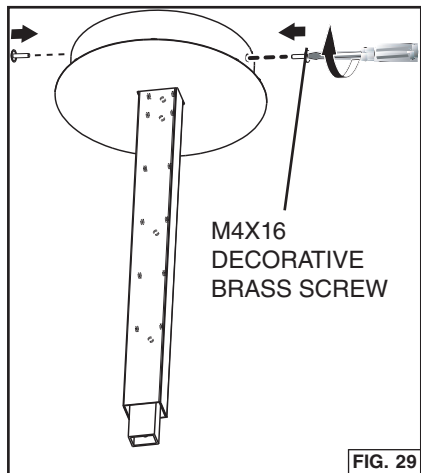


FIG. 28



3.9 x 6 MM
FLAT HEAD
SCREWS

FIG. 30

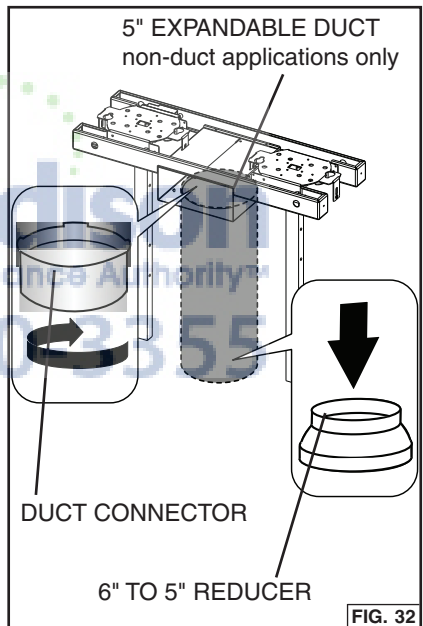
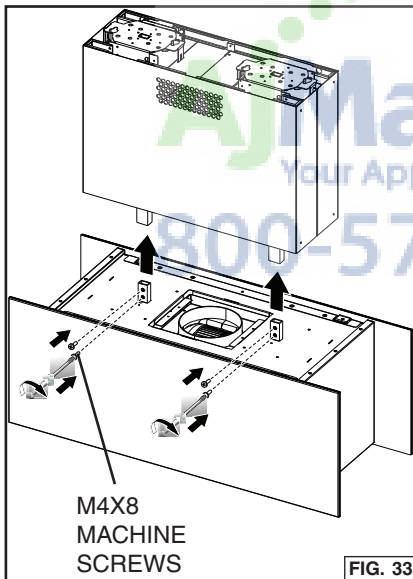
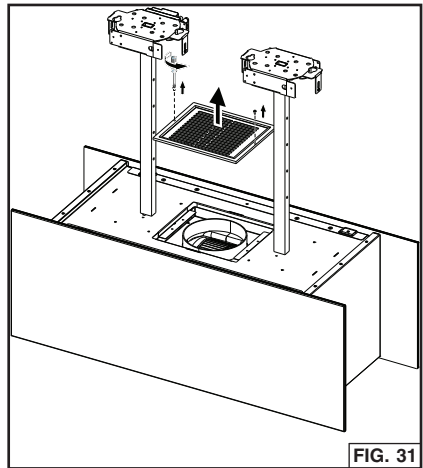


M4X16
DECORATIVE
BRASS SCREW

FIG. 29

FOR NON-DUCTED AND DUCTED FLUE VERSION

24. Remove the protective grille at the top of the hood and the bottom grease filter. Fig. 31.
25. For the ducted version install the duct connector onto the blower inlet. Fig. 32.
26. For non-ducted version insert the 6"-5" reduce over the blower opening and duct tape into place. Fig. 32.
27. Mount the hood onto the telescopic arms using (4) M4x8 machine screws. Make sure the electrical cord is on the proper arm with the junction box and incoming power. Pull the safety cable from the extension arms into the hood. Align the duct work with the blower opening or reducer opening. Fig. 33.



28. Secure safety cables as shown in Fig. 34.

A. Push cable through support rods and into hood cavity.

B. Slide washer and cable clamp with barrel nut onto cable.

Note: Barrel nut must be slightly backed off of cable clamp and pushed (spring compressed) when sliding assembly onto cable.

C. Push clamp assembly all the way to the top of the hood while pushing down on barrel nut. Fig. 35.

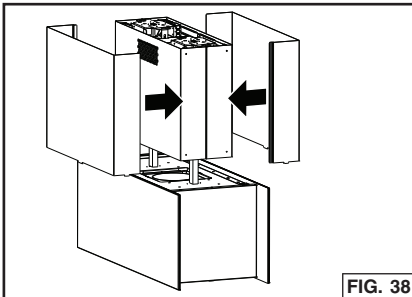
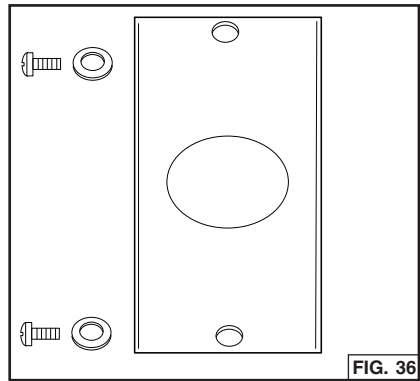
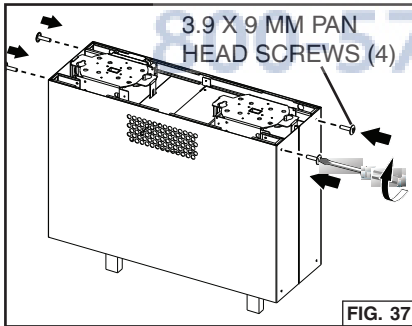
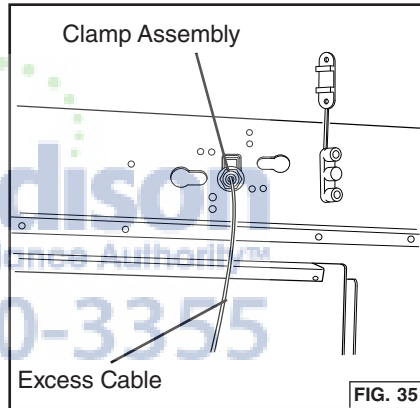
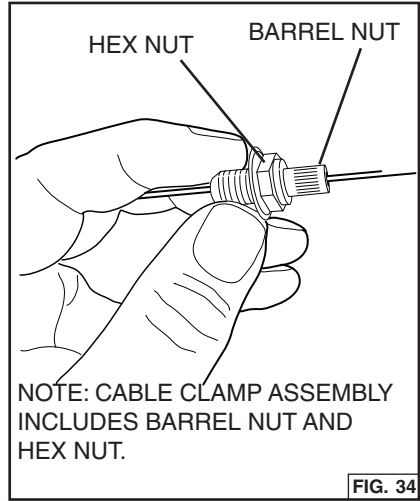
D. When assembly is all the way to the top inside of hood, completely tighten barrel nut.

E. Cut excess cable off.

29. Remove the upper flue mounting screws and drop the flues to expose the wiring box. Make final electrical connections. Install the outlet box cover with (2) 3.9 x 6 mm Flat Head Screws and (2) 3.9 mm lock washers. Fig. 36.

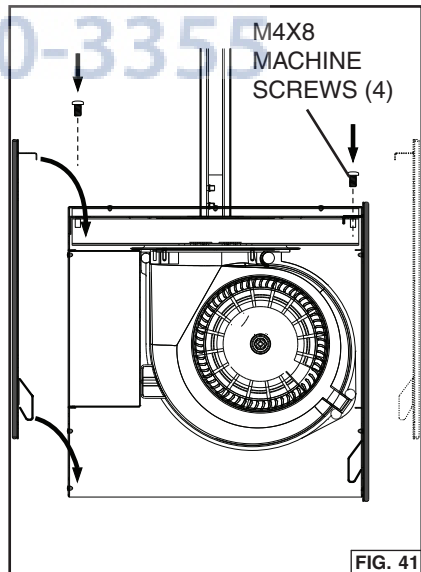
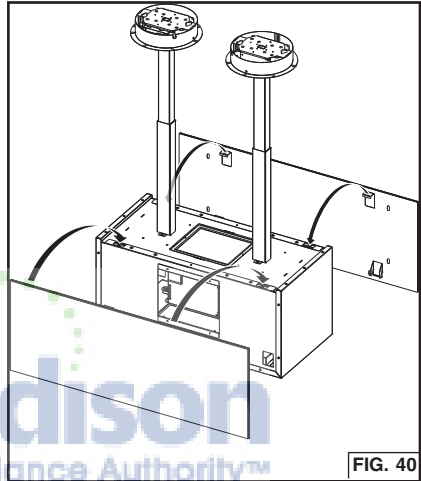
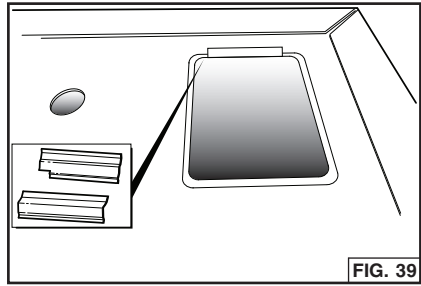
30. Reinstall the upper flue covers with (4) 3.9 x 9 mm pan head screws. Fig. 37.

31. Attached the bottom flue covers. Fig. 38.



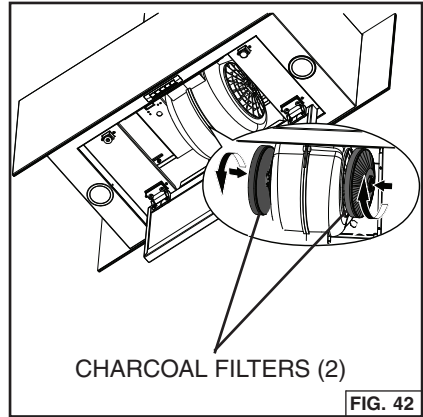
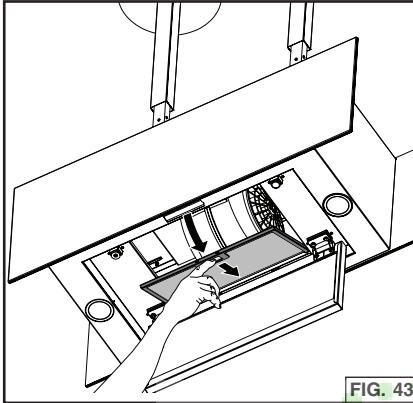
INSTALL GLASS PANELS

1. Insert (4) black protectors on the bottom edge in the lower side slots on the side of the hood. Fig. 39.
2. Install glass panels and secure with (4) M4x8 machine screws. Fig. 40 and Fig. 41.



INSTALL FILTERS

1. For non-ducted hoods, grasp the charcoal filters and turn counter-clockwise one quarter turn onto blower. Fig. 42.
2. Install grease filter. Fig. 43.



AjMadison
Your Appliance Authority™

WARRANTY

800-570-3355

ONE YEAR LIMITED WARRANTY FOR BEST PRODUCTS

Broan-NuTone LLC (Broan-NuTone) warrants to the original consumer purchaser of Best products that such products will be free from defects in materials or workmanship for a period of one year from the date of original purchase. THERE ARE NO OTHER WARRANTIES, EXPRESS OR IMPLIED, INCLUDING, BUT NOT LIMITED TO, IMPLIED WARRANTIES OR MERCHANT ABILITY OR FITNESS FOR A PARTICULAR PURPOSE.

During this one-year period, Broan-NuTone will, at its option, repair or replace, without charge, any product or part which is found to be defective under normal use and service.

THIS WARRANTY DOES NOT EXTEND TO FLUORESCENT LAMP STARTERS, TUBES, HALOGEN AND INCANDESCENT BULBS, FUSE, FILTERS, DUCTS, ROOF CAPS, WALL CAPS AND OTHER ACCESSORIES FOR DUCTING. This warranty does not cover (a) normal maintenance and service or (b) any products or parts which have been subject to misuse, negligence, accident, improper maintenance or repair (other than by Broan-NuTone), faulty installation or installation contrary to recommended installation instructions.

The duration of any implied warranty is limited to the one-year period as specified for the express warranty. Some states do not allow limitation on how long an implied warranty lasts, so the above limitation may not apply to you.

BROAN-NUTONE'S OBLIGATION TO REPAIR OR REPLACE, AT BROAN-NUTONE'S OPTION, SHALL BE THE PURCHASER'S SOLE AND EXCLUSIVE REMEDY UNDER THIS WARRANTY. BROAN-NUTONE SHALL NOT BE LIABLE FOR INCIDENTAL, CONSEQUENTIAL OR SPECIAL DAMAGES ARISING OUT OF OR IN CONNECTION WITH PRODUCT USE OR PERFORMANCE. Some states do not allow the exclusion or limitation of incidental or consequential damages, so the above limitation or exclusion may not apply to you.

This warranty gives you specific legal rights, and you may also have other rights, which vary from state to state. This warranty supersedes all prior warranties.

To qualify for warranty service, you must (a) notify Broan-NuTone at the address stated below or telephone number stated below, (b) give the model number and part identification and (c) describe the nature of any defect in the product or part. At the time of requesting warranty service, you must present evidence of the original purchase date.

In USA - Best®, 926 W. State Street, Hartford, WI 53027 (800-558-1711)

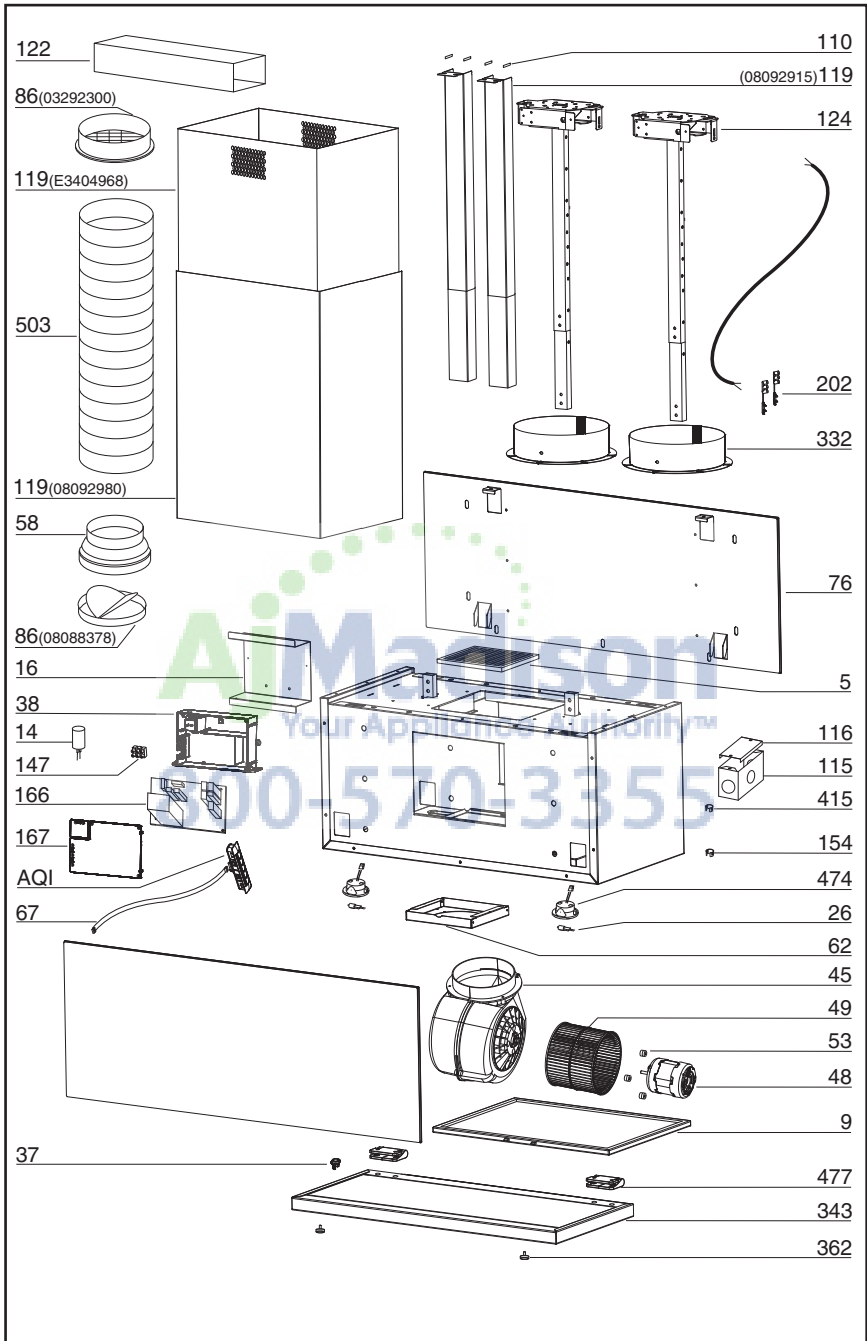
In Canada - Best®, 550 Lemire Blvd., Drummondville, QC J2C 7W9 (866-737-7770)

www.BestRangeHoods.com

SERVICE PARTS

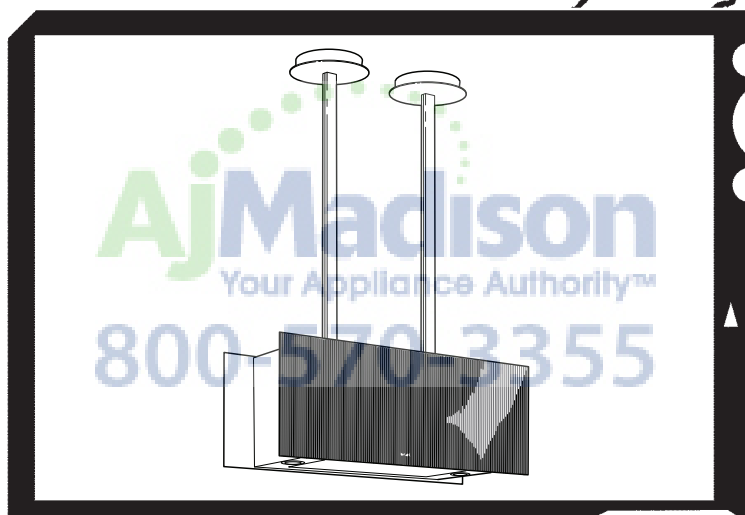
KEY NO.	PART NO.	DESCRIPTION
5	B08087677	GRILL
9	B08087826	GREASE FILTER
14	B02300233	CONDENSER
16	B03115244	ELECTRICAL BOX SUPPORT
26	B02300890	LAMP BULB
37	B02300804	KNOB
38	B03295595	ELECTRICAL PRINTED CIRCUIT BOX
45	BW0000021	BLOWER
48	B02310260	MOTOR (CLOCKWISE)
49	B03295071	FAN (CLOCKWISE)
53	B03204177	RUBBER WASHER
58	B03295018	OUTLET REDUCTION
62	B03115243	BLOWER BRACKET
67	B02300961	WIRES
76	B002090356	TOP GLASS (IC35190B)
	B002090357	TOP GLASS (IC35190W)
86	B03292300	OUTLET FLANGE
	B08088378	OUTLET FLANGE
110	B03202430	PLASTIC GASKET
115	B08093102	FEEDER CABLE CONNECTION BOX
116	BE3334252	FEEDER CABLE CONNECTION BOX COVER
119	B08092915	UPPER DUCT EXT.
	BE3404968	UPPER DUCT EXT.
	B08092980	BOTTOM DUCT EXT.
122	B08092981	RISER
124	B08093107	BOTTOM TELESCOPIC SKELETON
147	BR2300132	JUNCTION CLAMP
154	B03202286	FEEDER CABLE STOP
166	B08080852	ELECTRICAL PRINTED CIRCUIT BOARD
167	B03295596	ELECTRICAL BOX COVER
202	B03292290	REFLECTOR STOP
332	B08093101	COVER
343	B08093100	CLOSURE PANEL
362	B02011377	DISPLAY VISOR SPRING
415	B03292596	FAIRLEAD
474	B02300918	HALOGEN LAMP
477	B02011354	CLOSING
503	B02011452	EXPANDABLE DUCT
AQI	B06103891	SWITCH BOX ASSEMBLY
*	B080810943	FITTING SET (INCLUDES KEY NO. 122 & 86 - B03292300)
*	B06002157	BLOWER ASSEMBLY (INCLUDES KEY NO. 45, 48, 49, 53)
*	B06145214	ELECTRICAL INSTALLATION ASSEMBLY (INCLUDES KEY NO. 14, 38, 67, 147, 166, 167)
*	B080810938	FITTING SET (INCLUDES KEY NO. 110, 115, 116, 202, 415)

SERVICE PARTS





best®



Modèles IC35I90B et IC35I90W

ENGLISH.....	2
FRANÇAIS.....	25
ESPAÑOL.....	49

Aux ÉTATS-UNIS - BEST Hartford, Wisconsin
Au CANADA - BEST Drummondville, QC, Canada

ENREGISTREZ VOTRE PRODUIT EN LIGNE À L'ADRESSE : www.BestRangeHoods.com/register
Pour en savoir plus, visitez le site www.BestRangeHoods.com

VEUILLEZ LIRE ET CONSERVER CES INSTRUCTIONS

⚠️ CONÇUE POUR LES CUISINES PRIVÉES UNIQUEMENT ⚠️

⚡ ⚠️ AVERTISSEMENT

POUR RÉDUIRE LES RISQUES D'INCENDIE, D'ÉLECTROCUTION OU DE BLESSURES PHYSIQUES, RESPECTEZ LES INSTRUCTIONS CI-DESSOUS :

1. Utilisez cet appareil uniquement de la manière prévue par le fabricant. Si vous avez des questions, contactez le fabricant à l'adresse ou au numéro de téléphone indiqués dans la garantie.
2. Avant d'effectuer l'entretien ou le nettoyage de l'appareil, mettez-le hors tension sur le panneau de service et verrouillez ce dernier pour éviter que l'appareil soit mis sous tension par inadvertance. S'il n'est pas possible de verrouiller le dispositif de déconnexion, apposez un avertissement bien visible (par exemple une étiquette) sur le panneau de service.
3. L'installation et le raccordement électrique doivent être effectués par du personnel qualifié conformément à toutes les réglementations et normes en vigueur, y compris celles concernant les constructions cotées pour leur résistance au feu.
4. Afin d'éviter un refoulement lors de l'utilisation d'équipements à combustible, une quantité d'air suffisante est nécessaire pour assurer une combustion et un échappement adéquats des gaz à travers le conduit (la cheminée). Suivez les consignes du fabricant de l'équipement chauffant et les normes de sécurité publiées, entre autres, par l'Association nationale de protection contre l'incendie (NFPA) et l'American Society for Heating, Refrigeration and Air Conditioning Engineers (ASHRAE), ainsi que les réglementations locales.
5. Quand vous effectuez une découpe ou un forage dans un mur ou un plafond, veillez à ne pas endommager des câblages électriques ou d'autres équipements non visibles.
6. Les soufflantes canalisées doivent toujours être dirigées vers l'extérieur.
7. N'utilisez pas cet appareil avec un dispositif de commande de vitesse transistorisé séparé.
8. Pour réduire les risques d'incendie, utilisez uniquement des canalisations en métal.

AVERTISSEMENT – Une mise à la terre inappropriée peut donner lieu à un risque d'électrocution.

Consultez un électricien qualifié si vous ne comprenez pas parfaitement les instructions de mise à la terre ou si vous n'êtes pas certain(e) que l'appareil est mis à la terre comme il se doit.

N'utilisez pas de rallonge. Si le cordon est trop court, demandez à un électricien d'installer une prise près de l'appareil.

AVERTISSEMENT

POUR RÉDUIRE LE RISQUE D'UN FEU DE FRITURE SUR LA TABLE DE CUISSON

- A. Ne laissez jamais les appareils de surface sans surveillance quand ils sont sur un réglage élevé. Les débordements peuvent provoquer de la fumée et des déversements gras risquant de prendre feu. Chauffez les huiles lentement sur un réglage bas ou moyen.
- B. Allumez toujours la hotte quand vous cuisinez à une chaleur élevée ou quand vous flambez des aliments (p. ex. des crêpes Suzette, des cerises jubilé ou du bœuf au poivre flambé).
- C. Nettoyez souvent les ventilateurs d'aération. Évitez que la graisse ne s'accumule sur le ventilateur ou le filtre.
- D. Utilisez des poêles de la taille appropriée. Utilisez toujours des ustensiles de cuisine adaptés à la taille de l'élément de surface.

POUR RÉDUIRE LE RISQUE DE BLESSURES PHYSIQUES EN CAS DE FEU DE FRITURE SUR LA TABLE DE CUISSON, VEUILLEZ PROCÉDER COMME SUIT :*

1. **ÉTOUFFEZ LES FLAMMES** avec un couvercle hermétique, une plaque à biscuits ou un plateau en métal, puis éteignez le brûleur. **SOYEZ PRUDENT(E) AFIN D'ÉVITER LES BRÛLURES.** Si les flammes ne s'éteignent pas immédiatement, **ÉVACUEZ LES LIEUX ET APPELEZ LE SERVICE DES POMPIERS.**
2. **NE SAISISSEZ JAMAIS UNE POÊLE ENFLAMMÉE**, vous risquez de vous brûler.
3. **N'UTILISEZ JAMAIS D'EAU** ni de torchons ou serviettes mouillé(e)s : cela donnerait lieu à une violente explosion de vapeur.
4. Utilisez un extincteur **UNIQUEMENT** si :
 - A. Vous savez qu'il s'agit d'un extincteur de Classe ABC et savez déjà comment vous en servir.
 - B. L'incendie est de petite taille et confiné à l'endroit où il a commencé.
 - C. Le service des pompiers a été averti.
 - D. Vous pouvez éteindre l'incendie en ayant une sortie derrière vous.

* Basé sur « Kitchen Fire Safety Tips », publié par la NFPA.

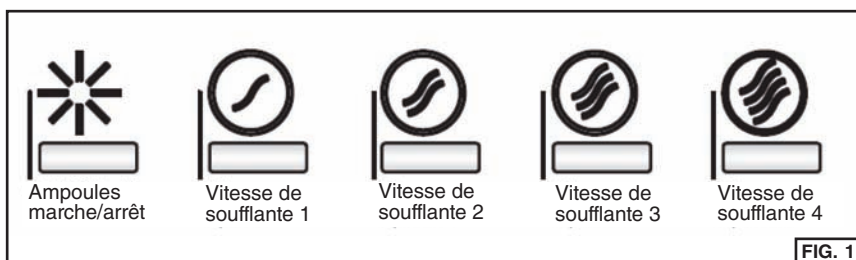
ATTENTION

1. Uniquement pour l'utilisation intérieure.
2. Pour réduire le risque d'incendie et obtenir un échappement d'air adéquat, veillez à bien canaliser l'air vers l'extérieur. Ne ventilez pas l'air d'échappement vers des espaces confinés, des plafonds, des combles, des vides sanitaires ou des garages.
3. Soyez prudent(e) quand vous utilisez des agents de nettoyage ou des détergents.
4. Évitez d'utiliser sous la hotte de cuisine des denrées alimentaires produisant des flammes.
5. À utiliser uniquement pour la ventilation générale. N'utilisez pas la hotte pour l'échappement de matériaux ou de vapeurs comportant un danger ou un risque d'explosion.
6. Pour éviter que le roulement moteur s'endommage et que des hélices deviennent bruyantes ou déséquilibrées, faites en sorte que le bloc d'alimentation n'entre pas en contact avec un atomiseur pour cloisons sèches, de la poussière de construction, etc.
7. Le moteur de la hotte est doté d'un rupteur thermique qui éteint automatiquement le moteur en cas de surchauffe. Le moteur redémarrera après avoir refroidi. Si le moteur s'éteint et se rallume constamment, faites réparer la hotte.
8. Pour mieux capturer les impuretés de cuisson, la partie inférieure de la hotte doit se trouver au minimum à 60 cm (24 po) et au maximum à 75 cm (30 po) au-dessus de la surface de cuisson. Reportez-vous à la section « Déterminer la hauteur de montage de la hotte » pour les restrictions de montage.
9. Étant donné la taille et le poids de la hotte, il est conseillé d'avoir recours à deux personnes pour la monter.
10. Ce produit est doté d'un thermostat qui peut activer la soufflante automatiquement. Pour éviter les risques de blessure et l'allumage accidentel de la hotte, mettez-la hors tension sur le panneau de service et verrouillez ce dernier ou fixez-y une étiquette d'avertissement.
11. Pour en savoir plus et connaître les exigences sur le produit, veuillez lire l'étiquette des spécifications.

FONCTIONNEMENT

Commandes

La hotte s'utilise à l'aide des (5) boutons-poussoirs situés sous la hotte. Fig. 1.



Temporisation de dix minutes

Appuyez sur Vitesse 1, Vitesse 2 ou Vitesse 3 pendant deux secondes lorsque la soufflante fonctionne à la vitesse choisie. La DEL sous le bouton commencera à clignoter pour afficher la fonction de temporisation. Après dix minutes, la soufflante s'éteindra automatiquement. Si vous changez de vitesse tandis que la minuterie est en marche, la fonction ne se désactivera pas. Pour désactiver la fonction, appuyez sur le bouton avec la DEL clignotante pendant deux secondes. Remarque : la temporisation n'est pas disponible pour la Vitesse 4.

Alarme du filtre

Après 30 heures de fonctionnement de la soufflante, l'alarme du filtre s'active et tous les voyants DEL s'allument. L'alarme s'active lorsque le moteur est éteint et les DEL resteront en marche pendant 30 minutes. Pour désactiver l'alarme, appuyez l'un des boutons de contrôle pendant deux secondes tandis que les DEL sont en marche. Après 120 heures de fonctionnement de soufflante, l'alarme du filtre à charbon est activée et tous les indicateurs DEL clignoteront. L'alarme s'active lorsque le moteur est éteint et les DEL resteront en marche pendant 30 minutes. Pour désactiver l'alarme, appuyez l'un des boutons de contrôle pendant deux secondes tandis que les DEL sont en marche.

HEAT SENTRY™

La hotte est équipée d'un thermostat HEAT SENTRY™. Ce dispositif active ou accélère la soufflante s'il détecte une chaleur excessive au-dessus de la surface de cuisson.

- 1) Si la soufflante est arrêtée, il l'allume sur la vitesse HAUTE.
- 2) Si la soufflante est allumée à une vitesse basse, il la fait passer à la vitesse HAUTE. Quand la température redevient normale, la soufflante retourne au réglage d'origine.

AVERTISSEMENT

Le thermostat HEAT SENTRY™ peut activer la soufflante même si la hotte est éteinte. Dans ce cas, il est impossible de désactiver la soufflante avec le commutateur d'arrêt. Si vous devez arrêter la soufflante, faites-le depuis le panneau électrique principal.

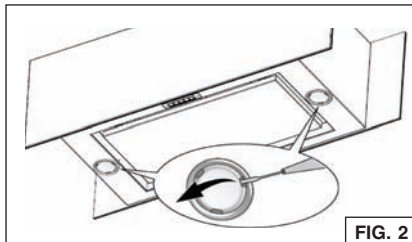
AMPOULES HALOGÈNES

Cette hotte de cuisine nécessite deux ampoules halogènes (Type T4, 120 V, 25 W max., base G9).

⚠ AVERTISSEMENT : Désactivez toujours l'alimentation avant d'effectuer toute opération sur l'appareil.

Pour changer les ampoules :

1. Ouvrez le couvercle en faisant levier sur les fentes prévues à cet effet. Fig. 2.
2. Retirez les ampoules en les tirant vers le côté. (NE LES TOURNEZ PAS).



⚠ ATTENTION : Il est possible que les ampoules soient chaudes.

3. Remplacez-les par des ampoules halogènes de type T4, 120 V, 25 W max., base G9. Ne touchez pas les ampoules de rechange à mains nues !

NETTOYAGE ET ENTRETIEN

Pour assurer les performances de l'appareil, entretenez-le de manière appropriée.

Moteur

Le moteur est lubrifié en permanence et aucun graissage n'est nécessaire. Si les roulements du moteur font un bruit excessif ou inhabituel, remplacez le moteur par une pièce de rechange identique. Remplacez aussi les hélices.

Filtres à charbon et filtre à graisse

Le filtre à graisse devrait être nettoyé fréquemment, normalement lorsque l'alarme du filtre se déclenche. Utilisez une solution détergente chaude. Le filtre à graisse peut être mis dans le lave-vaisselle.

Nettoyez tous les filtres en métal dans le lave-vaisselle avec un détergent sans phosphate. Si vous utilisez un détergent phosphaté ou selon le type d'eau, il est possible que le filtre se décolore, mais cela n'affectera aucunement ses performances. Cette décoloration n'est pas couverte par la garantie.

Consultez la section « INSTALLATION DES FILTRES » pour connaître les instructions de retrait et d'installation.

Filtre de recirculation non canalisé

Le filtre de recirculation non canalisé doit être changé tous les 6 mois ou lorsque l'alarme du filtre à charbon se déclenche. Si votre style de cuisine engendre beaucoup de graisse, par exemple si vous faites souvent de la friture ou utilisez un wok, remplacez-le plus souvent. Consultez la section « INSTALLATION DES FILTRES » pour connaître les instructions de retrait et d'installation.

Nettoyage de l'acier inoxydable

À FAIRE :

- Nettoyez régulièrement l'acier inoxydable avec un chiffon ou un torchon enduit d'eau chaude et de savon doux ou de liquide vaisselle.
- Nettoyez toujours dans le sens des lignes de polissage d'origine.
- Rincez toujours à l'eau claire (2 ou 3 fois) après le nettoyage. Essuyez complètement.
- Vous pouvez aussi utiliser un nettoyant spécial pour acier inoxydable d'électroménagers.

À NE PAS FAIRE :

- N'utilisez pas de laine d'acier inoxydable ni d'autres raclours pour enlever la saleté difficile à éliminer.
- N'utilisez pas de produits de nettoyage durs ou abrasifs.
- Ne laissez pas la poussière s'accumuler.
- Maintenez la hotte à l'abri de la poussière de plâtre ou d'autres résidus de construction. Pendant la construction/les rénovations, couvrez la hotte afin d'éviter qu'aucune poussière n'adhère aux surfaces en acier inoxydable.

À éviter quand vous choisissez un détergent :

- Tous les produits de nettoyage contenant de l'eau de Javel attaquent l'acier inoxydable.
- Tous les produits contenant du chlore, du fluor, de l'iode ou du bromure provoquent une détérioration rapide des surfaces.
- Tous les produits combustibles utilisés pour le nettoyage, tels que l'acétone, l'alcool, l'éther, le benzène sont extrêmement explosifs et ne doivent jamais être employés à proximité d'une table de cuisson.

PRÉPARATION DE LA HOTTE

Déballer la hotte et vérifier le contenu de l'emballage.

Il doit comprendre :

- 1 - Corps de la hotte
- 2 - Panneau de verre décoratif
- 2 - Bras de montage télescopiques
- 2 - Housses de bras télescopiques décoratifs
- 1 - Couvercle et boîtier électrique
- 2 - Couvercle
- 1 - Pince de câblage
- 2 - Serre-câble
- 12 - Tire-fonds, M6x60

- 16 - Vis à métaux, M4x8
- 8 - Vis à tête fraisée, 3,9 x 6 mm
- 4 - Rondelles freins, 3,9 mm
- 2 - Rondelles, 16 mm
- 12 - Rondelle, 12,5 mm
- 1 - Oeillet
- 4 - Vis décoratives de laiton, M4x16
- 4 - Protectors de caoutchouc
- 2 - Kits vis de réglage contenant :
 - 13 - Vis de blocage M6
 - 1 - Clé Allen
- 1 - Modèle d'installation
- 1 - Instructions d'installation

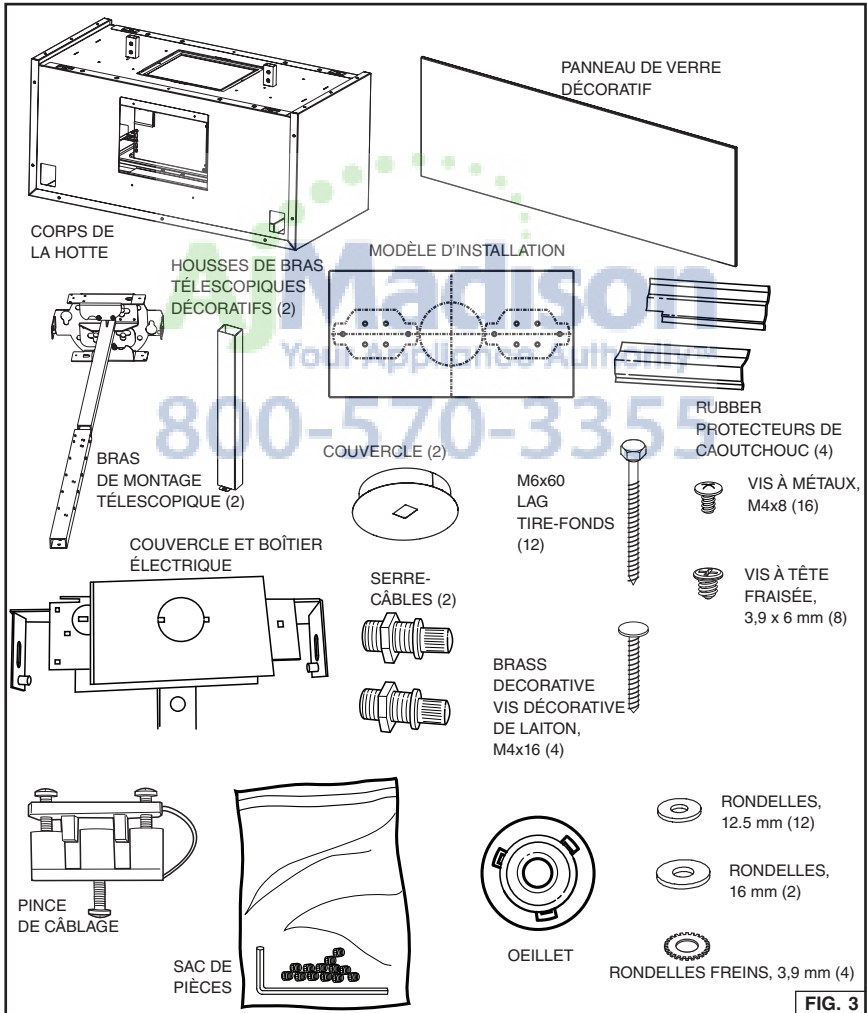
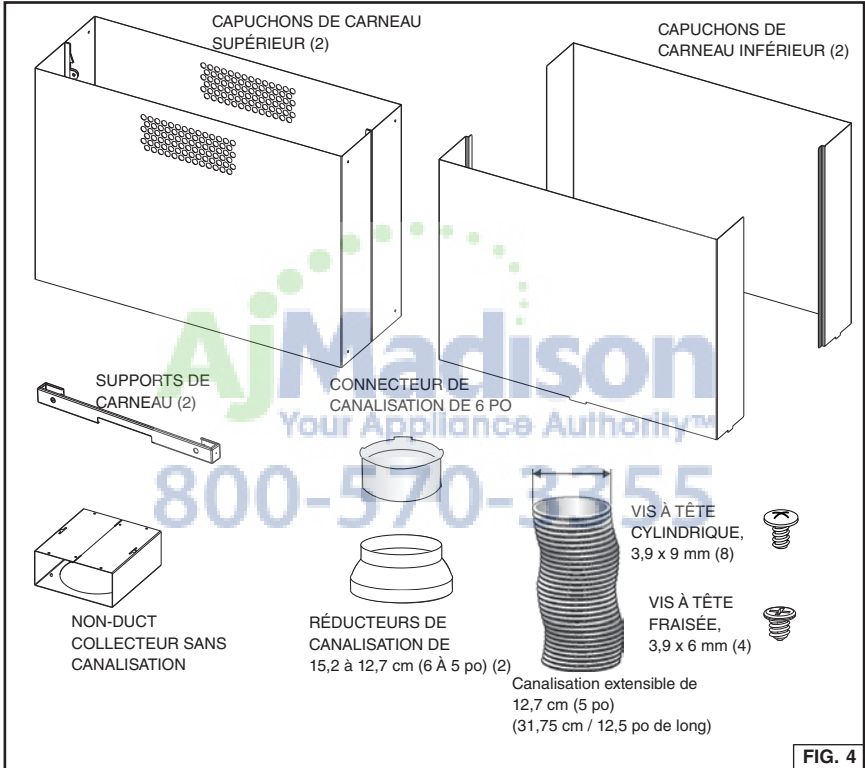


FIG. 3

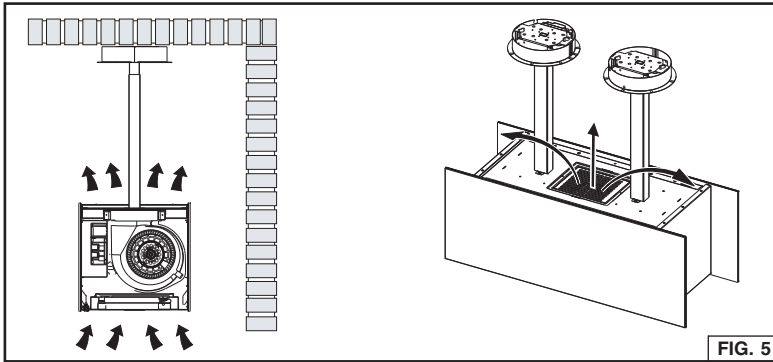
Contenu de la trousse de carneau canalisé et non canalisé AEIC35SB

- 2 - Capuchons de carneau supérieur
- 2 - Capuchons de carneau inférieur
- 2 - Supports de carneau
- 1 - Canalisation extensible de 12,7 cm (5 po) (31,8 cm/12,5 po de long)
- 1 - Collecteur sans canalisation
- 1 - Connecteur de canalisation de 15,2 cm (6 po)
- 2 - Réducteurs de canalisation de 15,2 à 12,7 cm (6 à 5 po)
- 4 - Vis à tête fraisée, 3,9 x 6 mm
- 8 - Vis à tête cylindrique, 3,9 x 9 mm

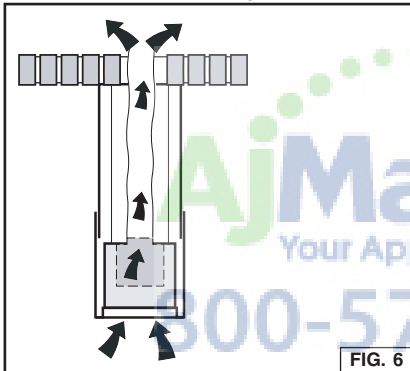


DÉTERMINEZ LA CONFIGURATION DE CANALISATION

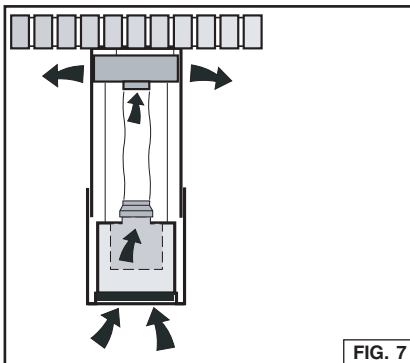
Cette hotte peut être canalisée selon trois différentes configurations :



Non canalisée avec housses de bras de support décoratives. Fig. 5.



Canalisée avec carneau décoratif (exige une trousse de carneau canalisé et non canalisé AEIC35SB) Fig. 6.



Non canalisée avec capuchons de carneau décoratifs (exige une trousse de carneau canalisé et non canalisé AEIC35SB). Fig. 7.

EXIGENCES STRUCTURALES

Le poids total de la hotte fournie est de 63 lb et de 82 lb lorsqu'on utilise la trousse canalisée. Il faut tenir compte de considérations structurales spéciales pour assurer une installation appropriée. Les supports de montage doivent être montés sur un bois d'œuvre nominal de 5 cm (2 po). Aucune sorte d'ancrage mural creux ne doit être utilisés. Fig. 8.

DÉTAILS BRUTS

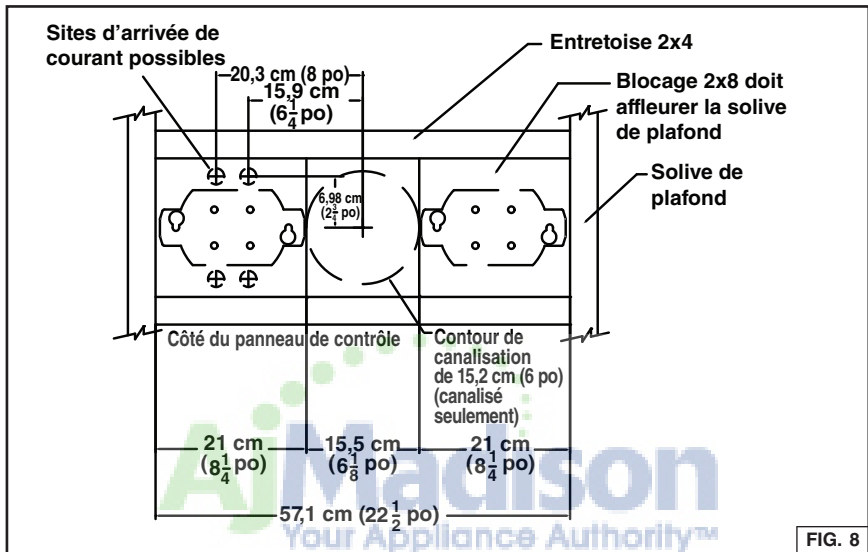


FIG. 8

ÉLECTRICITÉ BRUTE

Cette hotte est câblée par une boîte de jonction qui se trouve dans le pavillon de hotte. Le courant d'entrée devrait se trouver à l'endroit indiqué dans les dessins plus haut.

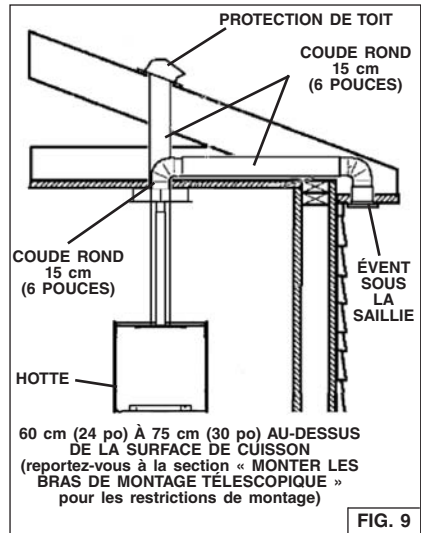
⚠ AVERTISSEMENT : Le câblage électrique doit être réalisé par une personne qualifiée, conformément aux réglementations et normes en vigueur.

INSTALLATION DE LA CANALISATION

HOTTES CANALISÉES UNIQUEMENT (AEIC35SB requis)

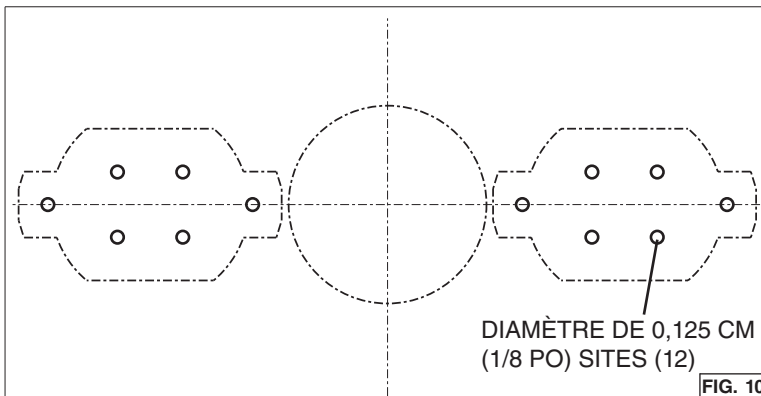
ATTENTION : Pour réduire les risques d'incendie, utilisez uniquement des canalisations en métal.

1. Décidez à quel endroit passera la canalisation entre la hotte et l'extérieur. Fig. 9.
2. Une canalisation droite et courte assurera une performance optimale de la hotte.
3. Une canalisation longue, coudée et les transitions réduiront les performances de la hotte. Utilisez-les le moins possible. Si la canalisation est longue, il peut s'avérer nécessaire d'utiliser une canalisation plus grande.
4. Installez une protection de toit ou de paroi. Raccordez la canalisation métallique ronde de 15,2 cm (6 po) à la protection et reculez vers l'emplacement de la hotte. Utilisez du ruban adhésif en toile pour étanchéifier les joints entre les sections de la canalisation.

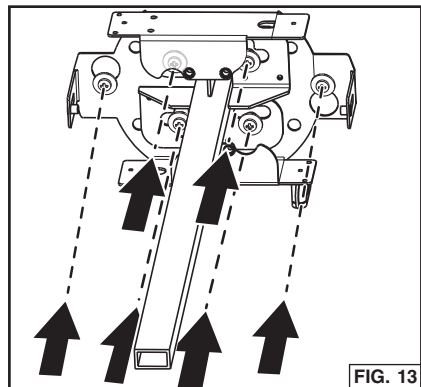
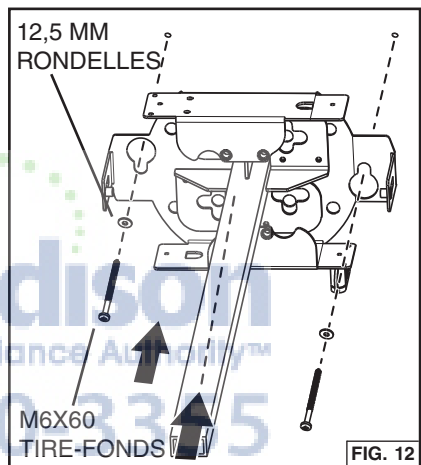
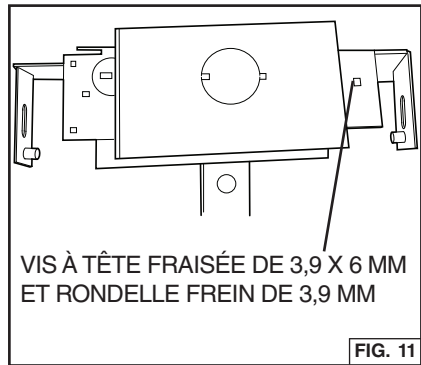


MONTEZ LE BRAS DE MONTAGE TÉLESCOPIQUE

1. Collez le modèle de montage en place et percez (12) trous de 0,125 cm (1/8 po) de diamètre aux sites centraux illustrés. Fig. 10. À la fin, retirez le modèle du plafond.



2. Montez la boîte de jonction au bras télescopique (reportez-vous au dessin brut pour choisir le bon bras) avec 2 vis à tête fraisée de 3,9 x 6 mm et 2 rondelles freins de 3,9 mm. Fig. 11.
3. Montez les deux bras télescopiques. Insérez les tire-fonds M6x60 avec les rondelles de 12,5 mm – monter dans les deux fentes de trous de serrure (2 boulons/bras). Assurez-vous que les bras sont perpendiculaires au plafond. Fig. 12.
4. Insérez les quatre (4) autres tire-fonds restants par bras. Fig. 13.



5. Déterminez la hauteur de montage de la hotte.

Hauteur du plafond	Distance de la surface de cuisson au bas de la hotte	Hauteur du bras télescopique assemblé
2,4 m (8 pi)	60 cm (24 po)	59,7 cm (23,5 po)
2,4 m (8 pi)	66 cm (26 po)	54,6 cm (21,5 po)
2,7 m (9 pi)	63 cm (25 po)	87,6 cm (34,5 po)
2,7 m (9 pi)	66 cm (26 po)	85,1 cm (33,5 po)
2,7 m (9 pi)	71 cm (28 po)	80 cm (31,5 po)
2,7 m (9 pi)	75 cm (30 po)	74,9 cm (29,5 po)

6. Insérez le bras télescopique inférieur (voir la Fig. 14.) et ajustez la longueur selon la hauteur comme indiqué dans le tableau plus haut.

7. Insérez les vis de serrage M6 dans tous les trous qui sont en contact avec le bras inférieur. Assurez-vous qu'il y ait au moins 6 vis par bras. Fig. 15.

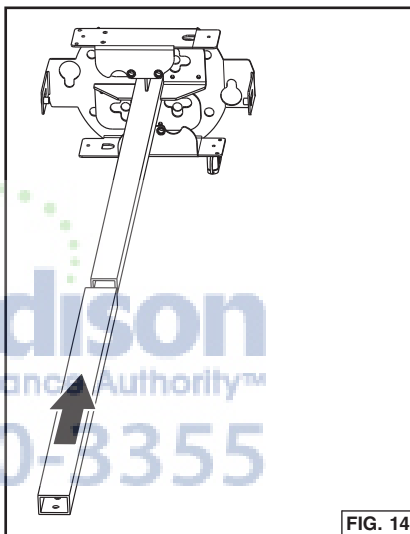


FIG. 14

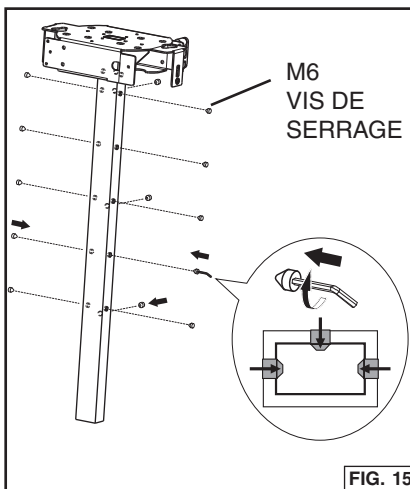


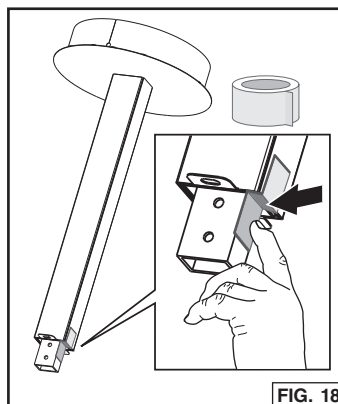
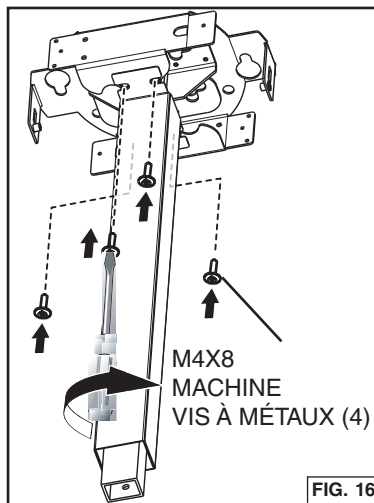
FIG. 15

Remarque : Si l'installation utilisera la trousse de carneau canalisé et non canalisé AEIC35SB, passez à l'étape 11.

POUR LA VERSION STOCK SEULEMENT

8. Glissez sur la housse de bras supérieur décorative avec quatre vis à métaux M4x8. Fig. 16.
9. Glissez le ruban de housse décorative temporairement en place (vous devrez le retirer en établissant les connexions électriques). Fig. 17.
10. Glissez le bras décoratif inférieur et le ruban temporairement en place. Fig. 18.

Passez à l'étape 18.



POUR LA VERSION DE CARNEAU CANALISÉ DE LA TROUSSE AEIC35SB

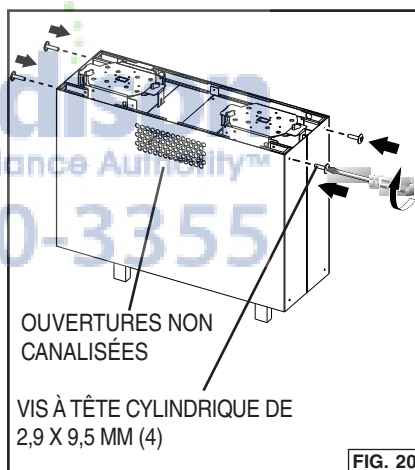
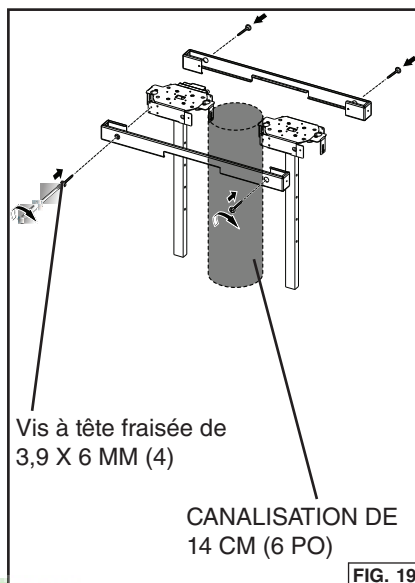
11. Installez les supports de capuchon de carneau aux supports des bras en utilisant 4 vis à tête fraisée 3,9 x 6 mm et installez la canalisation de 14 cm (6 po) à l'entrée du plafond. Fig. 19.
12. Installez temporairement les capuchons de carneau supérieur avec 4 vis à tête cylindrique 2,9 x 9,5 mm (vous devrez les retirer en établissant les connexions électriques). Fig. 20.

Remarque : Les ouvertures non canalisées peuvent être couvertes pendant :

- les installations de plafonds de 2,4 m (8 pi)
- les installations de plafonds de 2,7 m (9 pi) où le bas de la hotte est à 76 cm (30 po) au-dessus de la surface de cuisson.

Tournez le carneau pour que les ouvertures non canalisées soient au bas du carneau.

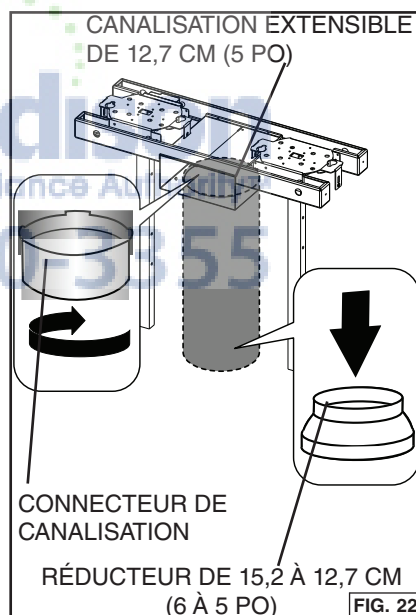
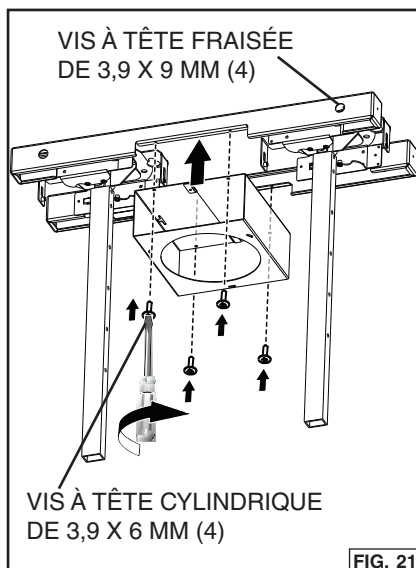
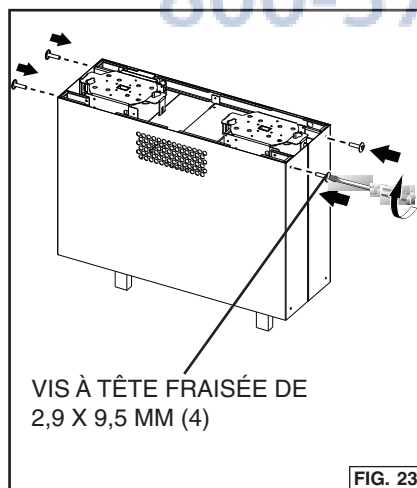
Passez à l'étape 24.



**POUR LA VERSION DE CARNEAU
NON CANALISÉ DE LA TROUSSE
AEIC35SB**

13. Assemblez le collecteur sans canalisation aux rails des capuchons de canalisation avec 4 vis à tête cylindrique 3,9 x 6 mm. Fig. 21.
14. Glissez les rails des capuchons de carneau sur les bras télescopiques et attachez aux supports du bras en utilisant 4 vis à tête fraisée de 3,9 x 9 mm. Fig. 21.
15. Installez le connecteur de canalisation de plastique dans le collecteur sans canalisation, puis installez le réducteur de (15,2 à 12,7 cm) 6 à 5 po et scellez le tout avec du ruban adhésif. Fig. 22.
16. Installez la canalisation extensible de 12,7 cm x 31,8 cm (5 x 12,5 po) et scellez avec du ruban adhésif. Fig. 22.
17. Installez temporairement les capuchons de carneau supérieur avec 4 vis à tête cylindrique de 3,9 x 9 mm (vous devrez les retirer en établissant les connexions électriques). Fig. 23.

Passez à l'étape 24.



18. Retirez le filtre à graisse au bas de la hotte. Montez la hotte sur les bras télescopiques en utilisant 4 vis à métaux M4x8. Fig. 24. Assurez-vous que le cordon électrique est sur le bras approprié avec la boîte de fonction et l'entrée de courant. Tirez le câble de sécurité des bras extensibles sur la hotte. Fig. 24.

19. Fixez les câbles de sécurité comme indiqué dans la Fig. 25.

A. Poussez le câble à travers les tiges de support et dans la cavité de la hotte.

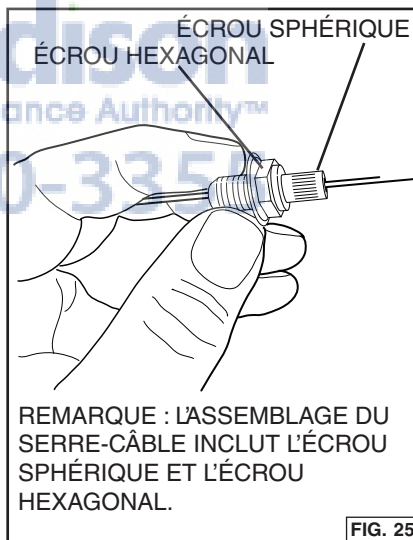
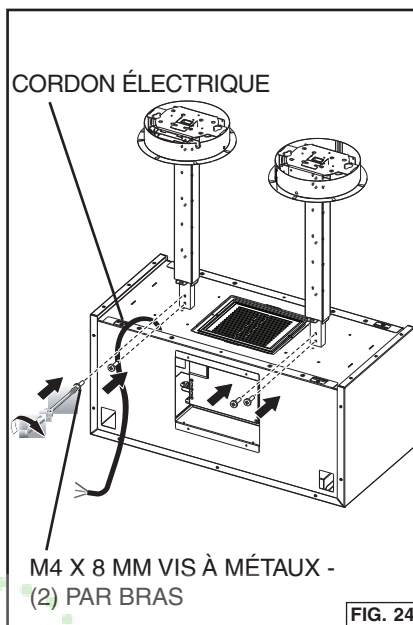
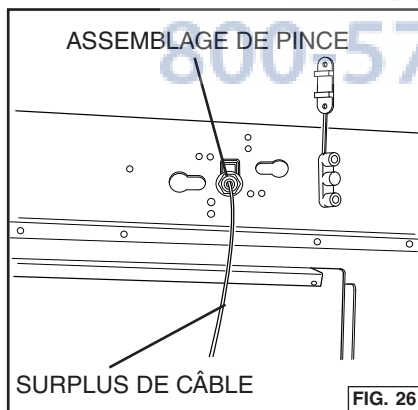
B. Glissez la rondelle et le serre-câble avec l'écrou sphérique sur le câble.

Remarque : l'écrou sphérique doit être reculé un peu du serre-câble et poussé (compression à ressort) en glissant l'assemblage sur le câble.

C. Poussez le serre-câble jusqu'au dessus de la hotte tout en poussant vers le bas sur l'écrou sphérique. Fig. 26.

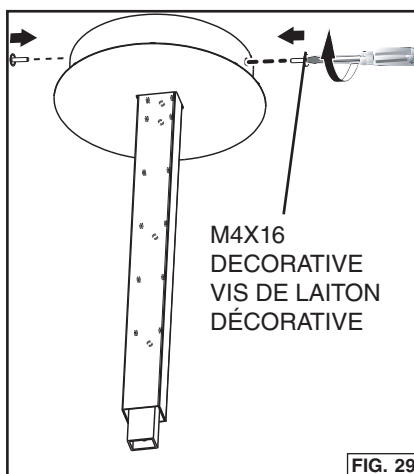
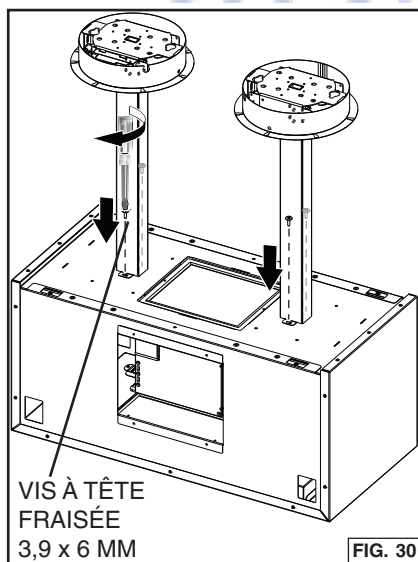
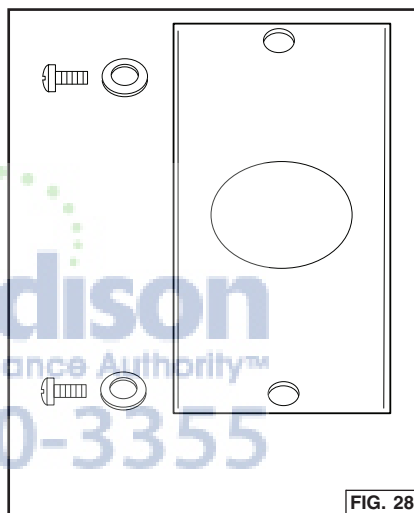
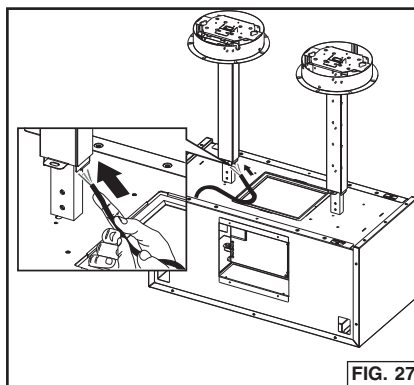
D. Lorsque l'assemblage est jusqu'au haut à l'intérieur de la hotte, resserrez entièrement l'écrou sphérique.

E. Coupez le surplus de câble.



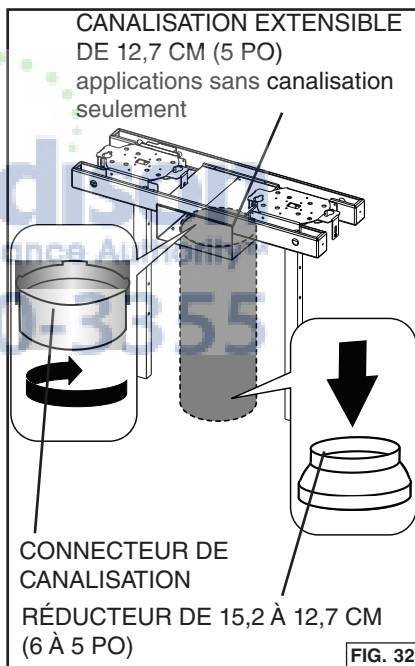
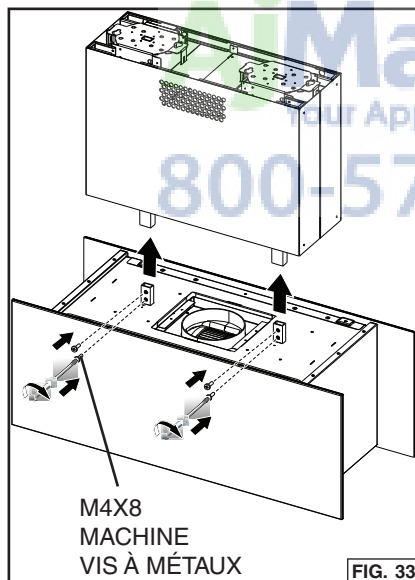
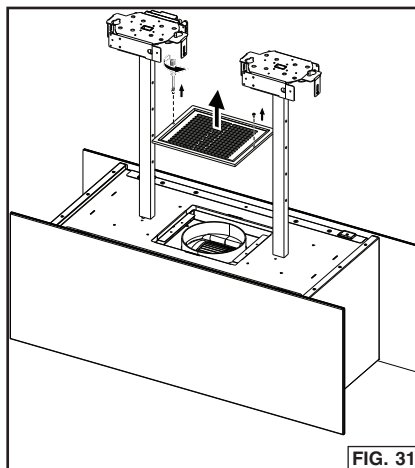
20. Baissez les housses de bras décoratives et les couvercles de pavillon. Insérez le fil vers le haut par le bras et dans la boîte de jonction. Fig. 27.
21. Établissez les connexions de fils et installez le couvercle de la boîte à prises avec les 2 vis fraisées de 3,9 x 6 mm et les 2 rondelles freins de 3,9 mm. Fig. 28.
22. Installez les couvercles de pavillon avec les 4 vis décoratives de laiton M4x16. Fig. 29.
23. Glissez le bras décoratif inférieur vers le bas sur le dessus de la hotte et fixez avec 2 vis à tête fraisée de 3,9 x 6 mm par bras. Fig. 30.

Rendez-vous à « INSTALLER LES PANNEAUX DE VERRE ».

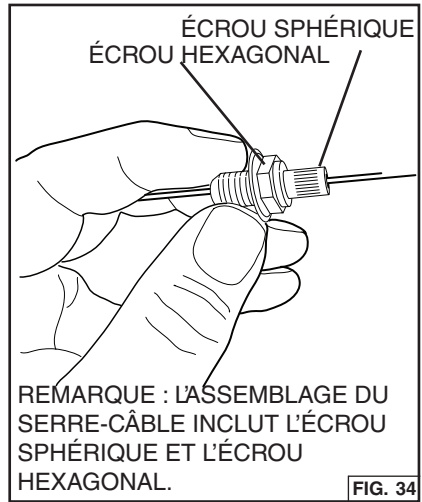


POUR LA VERSION DE CARNEAU CANALISÉ ET NON CANALISÉ

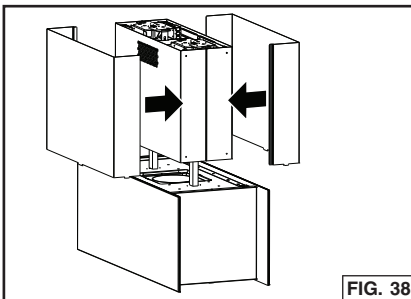
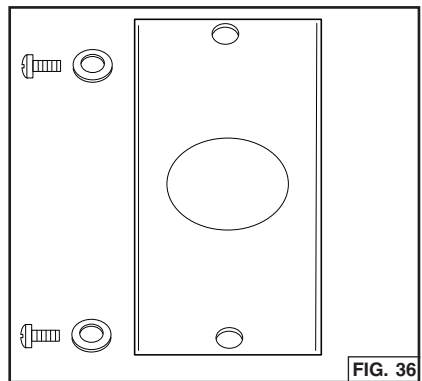
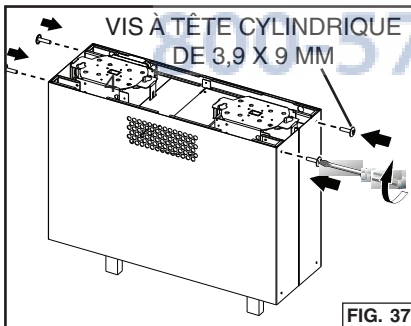
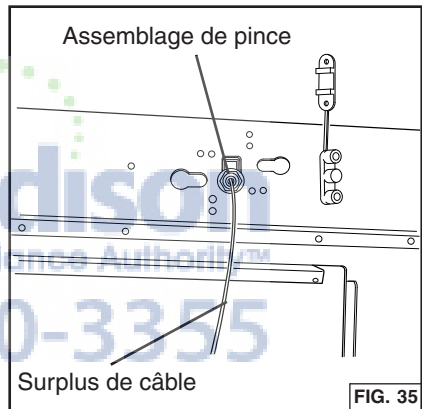
24. Retirez la grille protectrice sur le dessus de la hotte et le filtre à graisse inférieur. Fig. 31.
25. Pour la version canalisée, installez le connecteur de canalisation sur l'entrée de la soufflante. Fig. 32.
26. Pour la version non canalisée, insérez le réducteur de 15,2 à 12,7 cm (6 à 5 po) sur l'ouverture de la soufflante et mettez du ruban pour maintenir en place. Fig. 32.
27. Montez la hotte sur les bras télescopiques en utilisant 4 vis à métaux M4x8. Assurez-vous que le cordon électrique est sur le bras approprié avec la boîte de fonction et l'entrée de courant. Tirez le câble de sécurité des bras extensibles sur la hotte. Alignez la canalisation avec l'ouverture de la soufflante ou l'ouverture du réducteur. Fig. 33.



28. Fixez les câbles de sécurité comme indiqué dans la Fig. 34.
- Poussez le câble à travers les tiges de support et dans la cavité de la hotte.
 - Glissez la rondelle et le serre-câble avec l'écrou sphérique sur le câble.
Remarque : l'écrou sphérique doit être reculé un peu du serre-câble et poussé (compression à ressort) en glissant l'assemblage sur le câble.
 - Poussez le serre-câble jusqu'au dessus de la hotte tout en poussant vers le bas sur l'écrou sphérique. Fig. 35.
 - Lorsque l'assemblage est jusqu'au haut à l'intérieur de la hotte, resserrez entièrement l'écrou sphérique.
 - Coupez le surplus de câble.

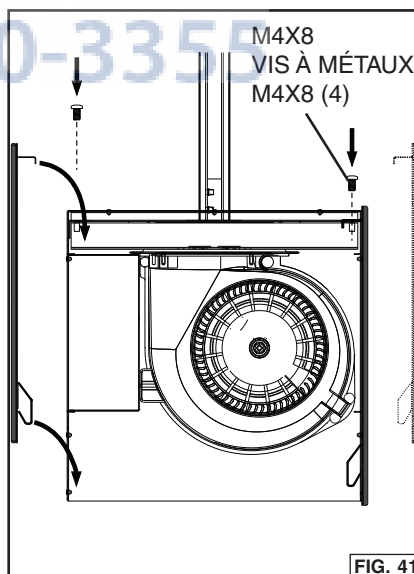
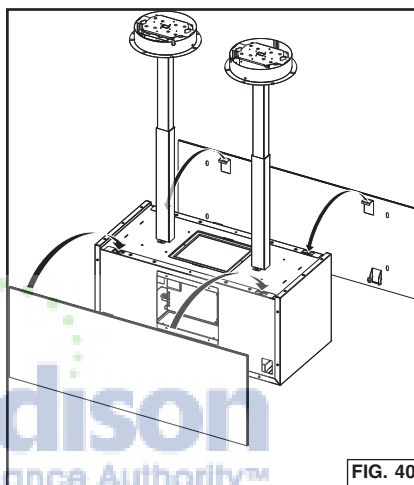
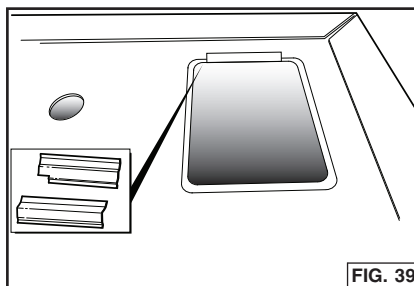


29. Retirez les vis de montage du carneau supérieures et abaissez les carneaux pour exposer la boîte de fils. Établissez les dernières connexions électriques. Installez le couvercle de la boîte à prises avec les 2 vis fraisées de 3,9 x 6 mm et les 2 rondelles freins de 3,9 mm. Fig. 36.
30. Réinstallez les capuchons de carneaux supérieurs avec 4 vis à tête cylindrique 3,9 x 9 mm. Fig. 37.
31. Attachez les capuchons de carneaux inférieurs. Fig. 38.



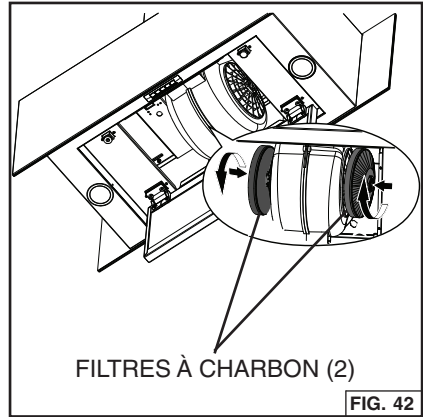
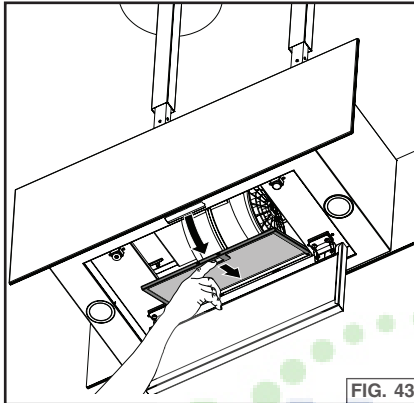
INSTALLER LES PAN- NEAUX DE VERRE

1. Insérez 4 protecteurs noirs sur le bord inférieur des fentes du côté plus bas du côté de la hotte. Fig. 39.
2. Installez les panneaux de verre et fixez avec 4 vis à métaux M4x8. Fig. 40 et Fig. 41.



INSTALLATION DES FILTRES

1. Pour les hottes de non raccordés, saisissez les filtres à charbon et tournez dans le sens antihoraire d'un quart de tour sur la soufflante. Fig. 42.
2. Installez le filtre à graisse. Fig. 43.



GARANTIE

GARANTIE LIMITÉE DE UN AN POR LES PRODUITS BEST

Broan-NuTone LLC (Broan-NuTone) garantit à l'acheteur consommateur original de produits Best qu'ils sont exempts de vice de matériaux ou de fabrication pour une période d'un an à compter de la date d'achat original. IL N'Y A PAS D'AUTRES GARANTIES, EXPRIMÉES OU IMPLICITES, INCLUANT MAIS NON LIMITÉES AUX GARANTIES IMPLICITES DE QUALITÉ MARCHANDE ET DE CONVENANCE DANS UN BUT PARTICULIER.

Durant cette période d'un an, Broan-NuTone, à sa discrétion, réparera ou remplacera gratuitement tout produit ou pièce qui s'avèrera défectueux et ayant été utilisé normalement et d'une manière non abusive.

CETTE GARANTIE NE S'APPLIQUE PAS AUX TUBES FLUORESCENTS ET AUX DÉMARREURS, NI AUX AMPOULES HALOGÈNES OU INCANDESCENTES, FUSIBLES, FILTRES, CONDUITS, CAPUCHONS DE TOIT, CAPUCHONS MURAUX ET AUTRES ACCESSOIRES POUR CONDUITS. Cette garantie ne couvre pas (a) l'entretien et le service normal ou (b) tout produit ou pièce endommagé à la suite d'un mauvais usage, d'une négligence, d'un accident, d'un entretien inadéquat ou d'une réparation (autre que par Broan-NuTone), d'une mauvaise installation ou d'une installation non conforme au mode d'installation recommandé.

La durée de toute garantie implicite est limitée à une période de un an tel que spécifié pour la garantie exprimée. Certains États ou provinces ne permettent pas de limitation de la durée d'une garantie implicite. Cette condition ne s'applique donc peut-être pas dans votre cas.

L'ENGAGEMENT DE BROAN-NUTONE À RÉPARER OU À REMPLACER, AU CHOIX DE BROAN-NUTONE, SERA LA SEULE OBLIGATION EXCLUSIVE SOUS CETTE GARANTIE. BROAN-NUTONE NE SE TIENDRA PAS RESPONSABLE DES DOMMAGES DIRECTS, INDIRECTS OU SPÉCIAUX AYANT UN LIEN DIRECT OU INDIRECT AVEC L'UTILISATION OU LA PERFORMANCE DE SES PRODUITS. Certains États ou provinces ne permettent pas l'exclusion ou la limitation de dommages directs ou indirects. Cette condition ne s'applique donc peut-être pas dans votre cas.

Cette garantie vous donne des droits spécifiques et il se peut que vous ayez d'autres droits qui varient d'une province à l'autre ou d'un État à l'autre. Cette garantie annule toutes les garanties précédentes.

Pour le service sous garantie, vous devez (a) aviser Broan-NuTone à l'adresse ou numéro de téléphone mentionnée ci-dessous, (b) donner le numéro de modèle et l'identification de la pièce et (c) décrire la nature de tout défaut dans le produit ou la pièce. Au moment de la demande de service sous garantie, vous devez présenter une preuve de la date d'achat original du produit en question.

Au USA - BEST® Hartford, Wisconsin 800-558-1711

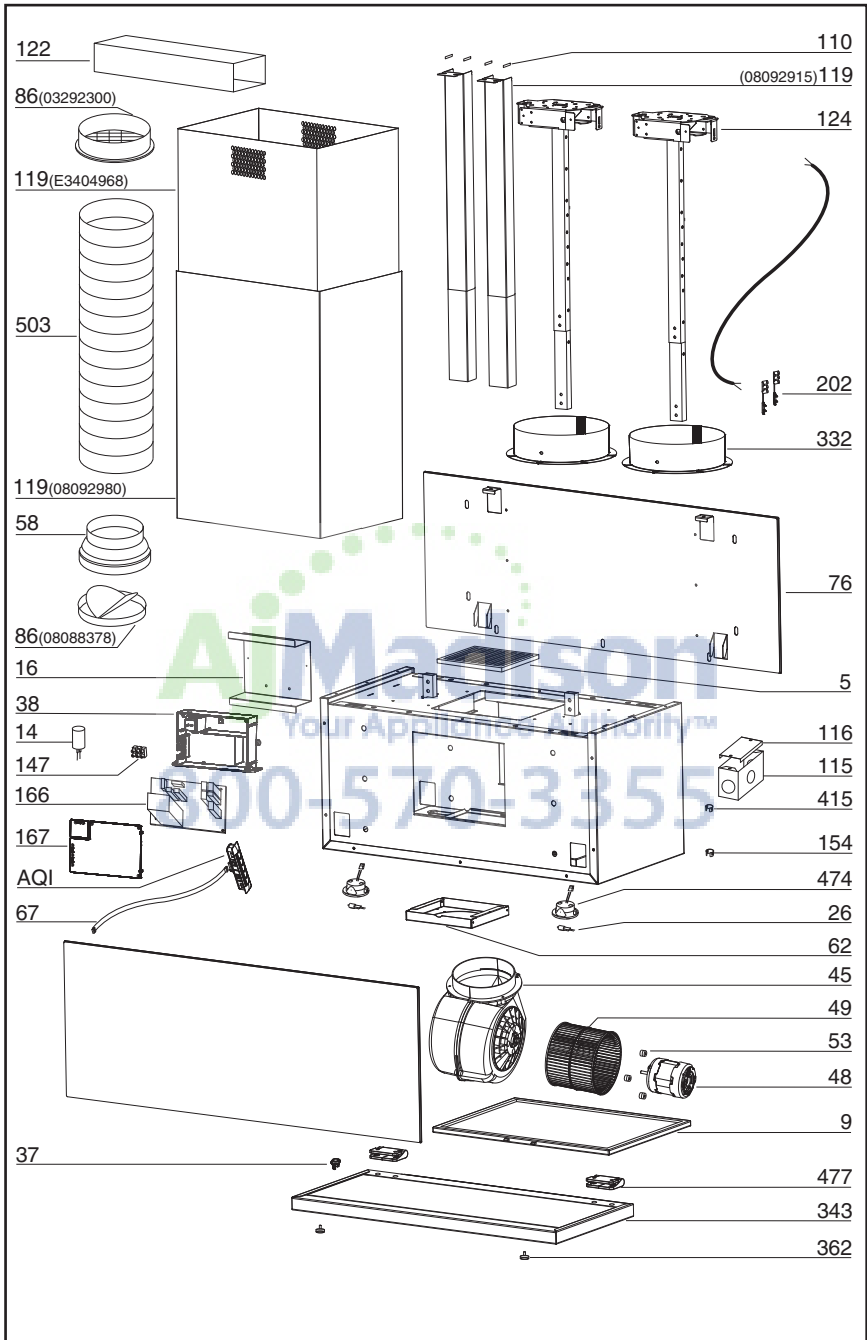
Au Canada - BEST® Drummondville, QC 866-737-7770

www.BestRangeHoods.com

PIÈCES DE RECHANGE

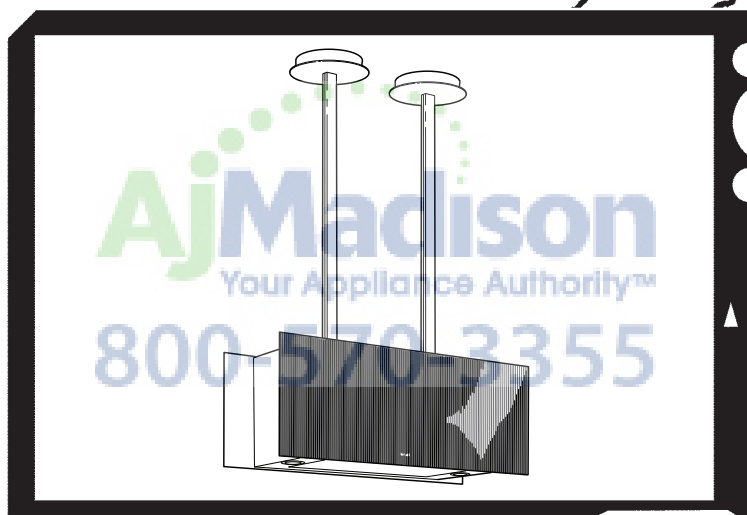
N° DE RÉFÉRENCE	N° DE PIÈCE	DESCRIPTION
5	B08087677	GRIL
9	B08087826	FILTRE À GRAISSE
14	B02300233	CONDENSATEUR
16	B03115244	SUPPORT DU BOÎTIER ÉLECTRIQUE
26	B02300890	AMPOULE
37	B02300804	MANETTE
38	B03295595	BOÎTIER DU CIRCUIT IMPRIMÉ ÉLECTRIQUE
45	BW0000021	SOUFFLANTE
48	B02310260	MOTEUR (SENS HORAIRE)
49	B03295071	VENTILATEUR (SENS HORAIRE)
53	B03204177	RONDELLE EN CAOUTCHOUC
58	B03295018	RÉDUCTION DE SORTIE
62	B03115243	SUPPORT DE SOUFFLANTE
67	B02300961	FILS
76	B002090356	VERRE SUPÉRIEUR (IC35190B)
	B002090357	VERRE SUPÉRIEUR (IC35190W)
86	B03292300	BRIDE DE SORTIE
	B08088378	BRIDE DE SORTIE
110	B03202430	JOINT D'ÉTANCHÉITÉ
115	B08093102	BOÎTE DE CONNEXION DE CÂBLE D'ALIMENTATION
116	BE3334252	COUVERCLE DE BOÎTE DE CONNEXION DE CÂBLE D'ALIMENTATION
119	B08092915	CANALISATION EXT. SUPÉRIEURE
	BE3404968	CANALISATION EXT. SUPÉRIEURE
	B08092980	CANALISATION EXT. INFÉRIEURE
122	B08092981	APPUI
124	B08093107	OSSATURE TÉLESCOPIQUE INFÉRIEURE
147	BR2300132	COLLIER DE JONCTION
154	B03202286	BUTÉE DE CÂBLE D'ALIMENTATION
166	B08080852	CARTE DE CIRCUIT DE COMMANDE
167	B03295596	COUVERCLE DU BOÎTIER ÉLECTRIQUE
202	B03292290	BUTÉE DE RÉFLECTEUR
332	B08093101	COUVERCLE
343	B08093100	PANNEAU DE FERMETURE
362	B02011377	RESSORT DE VISIÈRE DE PRÉSENTATION
415	B03292596	GUIDE-CÂBLE
474	B02300918	AMPOULE HALOGÈNE
477	B02011354	FERMETURE
503	B02011452	CANALISATION EXTENSIBLE
AQI	B06103891	ENSEMBLE DE TABLEAU DE COMMANDE
*	B080810943	JEU DE RACCORD (INCLUT N° DE RÉFÉRENCE 122 et 86 - B03292300)
*	B06002157	ASSEMBLAGE DE SOUFFLANTE (INCLUT N° DE RÉFÉRENCE 45,48,49,53)
*	B06145214	ASSEMBLAGE D'INSTALLATION ÉLECTRIQUE (INCLUT N° DE RÉFÉRENCE 14,38,67,147,166,167)
*	B080810938	ENSEMBLE DE RACCORDS (INCLUT N° DE RÉFÉRENCE N° 110,115,116,202,415)

PIÈCES DE RECHANGE





best®



Modelos IC35I90B y IC35I90W

ENGLISH.....	2
FRANÇAIS.....	25
ESPAÑOL.....	49

En EE. UU.: BEST Hartford, Wisconsin

En CANADÁ: BEST Drummondville, QC, Canadá

REGISTRE SU PRODUCTO EN LÍNEA EN: www.BestRangeHoods.com/register
Para obtener información adicional visite www.BestRangeHoods.com

LEA Y CONSERVE ESTAS INSTRUCCIONES

 **PARA COCINAS DOMÉSTICAS SOLAMENTE** 

ADVERTENCIA

PARA REDUCIR EL RIESGO DE INCENDIOS, DESCARGAS ELÉCTRICAS O LESIONES PERSONALES, RESPETE LO SIGUIENTE:

1. Utilice esta unidad sólo de la manera prevista por el fabricante. Si tiene preguntas, comuníquese con el fabricante a la dirección o el número de teléfono que aparecen en la garantía.
2. Antes de realizar el mantenimiento de la unidad o de limpiarla, desconecte la energía en el panel de servicio y bloquéelo para evitar conectar la energía accidentalmente. Cuando no se pueda bloquear el mecanismo de desconexión, fije firmemente un dispositivo de advertencia que se destaque, como una etiqueta, en el panel de servicio.
3. Una persona capacitada debe realizar el trabajo de instalación y el cableado eléctrico conforme a los códigos y estándares correspondientes, incluidos los códigos y estándares de construcción de resistencia al fuego.
4. Es necesario que haya suficiente aire para que se produzca una combustión adecuada y los gases de los equipos que consumen combustible se puedan evacuar a través del conducto de humo (chimenea) para evitar el contrarriaje. Siga las directrices y las normas de seguridad del fabricante del equipo de calefacción como las publicadas por la Asociación Nacional de Protección contra Incendios (National Fire Protection Association, NFPA) y la Sociedad Americana de Ingenieros en Calefacción, Refrigeración y Aire Acondicionado (American Society for Heating, Refrigeration and Air Conditioning Engineers, ASHRAE) y las autoridades de códigos locales.
5. Cuando realice cortes o perforaciones en paredes o techos, no dañe el cableado eléctrico ni otros servicios públicos ocultos.
6. Los ventiladores entubados siempre deben ventilarse hacia el exterior.
7. No utilice esta unidad con un dispositivo de control de velocidad de estado sólido independiente.
8. Para reducir el riesgo de incendios, sólo utilice entubados de metal.

ADVERTENCIA: la conexión a tierra incorrecta puede crear riesgo de descarga eléctrica.

Consulte a un electricista capacitado si no comprende por completo las instrucciones de conexión a tierra o si tiene dudas sobre si el artefacto está conectado a tierra correctamente.

No utilice un alargador. Si el cable de alimentación eléctrica es demasiado corto, pida a un electricista capacitado que instale un tomacorriente cerca del artefacto.

ADVERTENCIA

PARA REDUCIR EL RIESGO DE INCENDIOS POR GRASA EN LA COCINA:

- A. Nunca deje las unidades de superficie sin cuidado en graduaciones altas. Los derrames por ebullición generan humos y derrames grasosos que pueden encenderse. Caliente aceites lentamente en una graduación baja o media.
- B. Siempre ENCIENDA la campana cuando cocine con mucho calor o cuando flambea alimentos (por ejemplo crepes Suzette, cerezas jubileo, filete flambeado a la pimienta).
- C. Limpie los ventiladores con frecuencia. No se debe dejar acumular grasa en el ventilador ni en el filtro.
- D. Utilice una cacerola del tamaño adecuado. Siempre utilice utensilios de cocina apropiados para el tamaño del elemento de la superficie.

PARA REDUCIR EL RIESGO DE LESIONES PERSONALES EN CASO DE UN INCENDIO POR GRASA EN LA COCINA, RESPETE LO SIGUIENTE: *

1. SOFOQUE LAS LLAMAS con una tapa bien ajustada, una bandeja para hornear o una bandeja metálica y luego apague el quemador. TENGA LA PRECAUCIÓN DE EVITAR QUEMADURAS. Si las llamas no se apagan inmediatamente, SALGA Y LLAME A LOS BOMBEROS.
2. NUNCA TOQUE UNA CACEROLA EN LLAMAS: puede quemarse.
3. NO USE AGUA, incluso toallas o repasadores húmedos. Se producirá una explosión de vapor violenta.
4. Utilice un extintor de incendios SÓLO si:
 - A. Sabe que tiene un extintor de incendios Clase ABC y ya sabe utilizarlo.
 - B. El fuego es pequeño y está contenido en el área donde comenzó.
 - C. Se está llamando a los bomberos.
 - D. Puede combatir el incendio de espaldas hacia una salida.

* Según los “Consejos de Seguridad para Incendios en la Cocina” publicado por la NFPA.

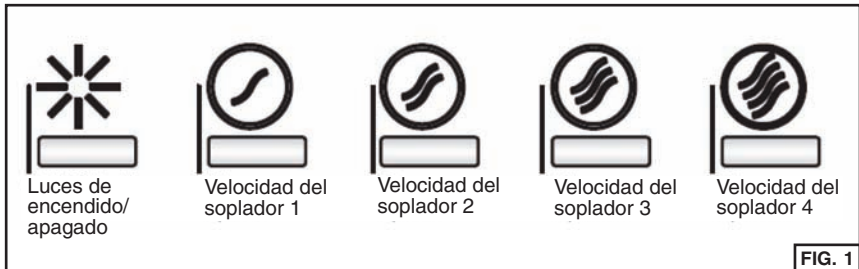
PRECAUCIÓN Your Appliance Authority™

1. Sólo para uso en interiores.
2. Para reducir el riesgo de incendios y eliminar el aire correctamente, asegúrese de dirigir el aire hacia afuera. No ventile el aire de escape en espacios dentro de paredes o techos ni en áticos, sótanos o garajes.
3. Tenga cuidado cuando use agentes de limpieza o detergentes.
4. Evite usar productos alimenticios que produzcan llamas debajo de la campana para cocina.
5. Sólo para uso de ventilación general. No utilice para purgar materiales y vapores explosivos o peligrosos.
6. Para evitar causar daños en el cojinete del motor y que los propulsores queden desbalanceados o ruidosos, mantenga el polvillo de paredes de yeso, polvo de construcción, etc. alejados de la unidad motriz.
7. El motor de la campana tiene relés térmicos que se apagan automáticamente si el motor se sobrecalienta. El motor se reiniciará cuando se enfríe. Si el motor se sigue apagando y reiniciando, realice el mantenimiento de la campana.
8. Para capturar mejor las impurezas de la cocina, la parte inferior de la campana debe tener un espacio de como mínimo 24" y como máximo 30" por encima de la superficie de cocción. Consulte la sección “Determinación de la Altura de Montaje de la Campana” para obtener las restricciones de montaje.
9. Se recomienda que haya dos instaladores debido al gran tamaño y peso de esta campana.
10. Este producto está equipado con un termostato que puede iniciar el soplador automáticamente. Para reducir el riesgo de lesiones y evitar conectar la energía accidentalmente, desconecte la energía en el panel de servicio y bloquéelo o etiquételo.
11. Lea la etiqueta de especificación en el producto para obtener más información y requisitos.

FUNCIONAMIENTO

Controles

La campana se opera utilizando los (5) pulsadores ubicados en el borde interior de la campana. Fig. 1.



Retardo de 10 minutos

Presione Velocidad 1, Velocidad 2 o Velocidad 3 durante 2 segundos cuando el soplador esté funcionando a la velocidad seleccionada. El indicador LED ubicado debajo del botón comenzará a parpadear para mostrar la función de retardo. Luego de 10 minutos, el soplador se apagará automáticamente. Si cambia la velocidad durante el funcionamiento del temporizador, la función no se desactiva. Para desactivar la función, presione el botón con el LED parpadeante durante 2 segundos. Nota: El retardo no está disponible para la Velocidad 4.

Alarma del filtro

Luego de 30 horas de soplado, la alarma de filtro se activa, y todos los indicadores LED se encienden. La alarma se activa cuando el motor está apagado, y los indicadores LED continuarán encendidos durante 30 minutos. Para desactivar la alarma, presione cualquier botón de los controles durante 2 segundos mientras los indicadores LED están encendidos.

Luego de 120 horas de funcionamiento del soplador, la alarma de filtro de carbón se activa, y todos los indicadores LED parpadean. La alarma se activa cuando el motor está apagado, y los indicadores LED continuarán encendidos durante 30 minutos. Para desactivar la alarma, presione cualquier botón de los controles durante 2 segundos mientras los indicadores LED están encendidos.

HEAT SENTRY™

La campana está equipada con un termostato HEAT SENTRY™. Este termostato es un dispositivo que encenderá o acelerará el soplador si detecta calor excesivo sobre la superficie de cocción.

- 1) Si el soplador está APAGADO: ENCIENDE el soplador en velocidad ALTA.
- 2) Si el soplador está ENCENDIDO en un ajuste de velocidad bajo: cambia el soplador a velocidad ALTA.

Cuando el nivel de temperatura descienda a normal, el soplador regresará a su ajuste original.

ADVERTENCIA

El termostato HEAT SENTRY™ puede iniciar el soplador aún si la campana está APAGADA. Cuando sucede esto, es imposible APAGAR el soplador con su interruptor. Si debe detener el soplador, hágalo desde el panel eléctrico principal.

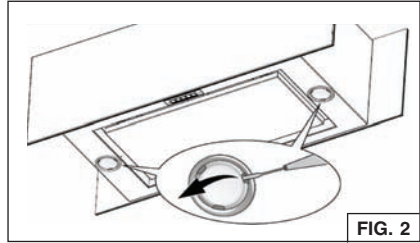
FOCOS HALÓGENOS

Esta campana para cocina necesita dos focos halógenos (Tipo T4, de 120 Voltios, 25 Vatios Máximos, G9 Base).

⚠ ADVERTENCIA: siempre desconecte el suministro eléctrico antes de realizar cualquier operación en el artefacto.

Para cambiar los focos:

1. Abra la tapa haciendo palanca desde las ranuras correspondientes. Fig. 2.
2. Retire los focos tirando de los costados. (NO LOS HAGA GIRAR).



⚠ PRECAUCIÓN: los focos pueden estar calientes.

3. Reemplácelos por focos halógenos del Tipo T4, de 120 Voltios, 25 Vatios Máximos, G9 Base. No toque los focos de repuesto con las manos sin protección.

LIMPIEZA Y MANTENIMIENTO

El mantenimiento adecuado de la campana para cocina garantizará el rendimiento correcto de la unidad.

Motor

El motor está constantemente lubricado y nunca necesita engrase. Si los cojinetes del motor hacen un ruido excesivo o inusual, reemplace el motor con el mismo motor de servicio. También se debe reemplazar el propulsor.

Filtro de grasas y filtros de carbón.

El filtro de grasas se debe limpiar con frecuencia, generalmente cuando se enciende la alarma de filtro. Utilice una solución de detergente tibia para lavavajillas. El filtro de grasas es apto para lavavajillas.

Limpie los filtros que sean completamente de metal del lavavajillas con un detergente sin fosfato. Es posible que se produzca una decoloración del filtro si se usan detergentes con fosfato o como resultado del estado del agua local, pero esto no afectará el rendimiento del filtro. Esta decoloración no está cubierta por la garantía.

Consulte la sección "INSTALACIÓN DE FILTROS" para obtener instrucciones de extracción e instalación.

Filtro de Recirculación Sin Entubar

El filtro de recirculación sin entubar se debe cambiar cada 6 meses o cuando se enciende la alarma de filtro de carbón. Reemplácelo más seguido si su estilo de cocina produce grasa adicional, como frituras y cocina en wok. Consulte la sección "INSTALACIÓN DE FILTROS" para obtener instrucciones de extracción e instalación.

Limpieza del Acero Inoxidable

LO QUE SE DEBE HACER:

- Limpiar regularmente con un paño limpio o un trapo empapado con agua tibia y jabón suave o detergente líquido.
- Limpiar siempre en la dirección de las líneas pulidas originales.
- Siempre enjuagar bien con agua limpia (2 ó 3 veces) después de la limpieza. Secar con un trapo por completo.
- También se puede utilizar un limpiador de acero inoxidable doméstico.

Cuando elija un detergente, evite lo siguiente:

- Todos los limpiadores que contienen lejía, ya que atacarán el acero inoxidable.
- Todos los productos que contienen: cloruro, fluoruro, yoduro o bromuro, porque deteriorarán las superficies rápidamente.
- Todos los productos combustibles usados para limpiar, como acetona, alcohol, éter, bencol, etc., puesto que son altamente explosivos y nunca se deben usar cerca de la cocina.

LO QUE NO SE DEBE HACER:

- Usar esponjas de acero o acero inoxidable o raspadores para eliminar la suciedad persistente.
- Usar limpiadores agresivos o abrasivos.
- Permitir que se acumule suciedad.
- Dejar que el polvo de yeso u otro residuo de construcción alcance la campana. Durante una construcción/renovación, cubra la campana para cocina para asegurarse de que el polvo no se pegue en la superficie de acero inoxidable.

PREPARACIÓN DE LA CAMPANA

Desembale la campana y revise el contenido.
Debe recibir:

- 1 - Cuerpo de la campana
- 2 - Panel de vidrio decorativo
- 2 - Brazos de montaje telescópicos
- 2 - Tapas decorativas de los brazos telescópicos
- 1 - Tapa y caja eléctrica
- 2 - Tapa
- 1 - Abrazadera de cableado
- 2 - Abrazadera de cable
- 12 - Tornillos tirafondo M6 x 60

- 16 - Tornillos de máquina, M4 x 8
- 8 - Tornillos de cabeza plana de 3.9 x 6 mm
- 4 - Arandela dentada de 3.9 mm
- 2 - Arandelas de 16 mm
- 12 - Arandela de 12.5 mm
- 1 - Ojal
- 4 - Tornillos decorativos de latón, M4 x 16
- 4 - Protectores de goma
- 2 - Kit de juegos de tornillos contiene:
 - 13 - Juego de tornillos M6
 - 1 - Llave Allen
- 1 - Plantilla de instalación
- 1 - Instrucciones de instalación

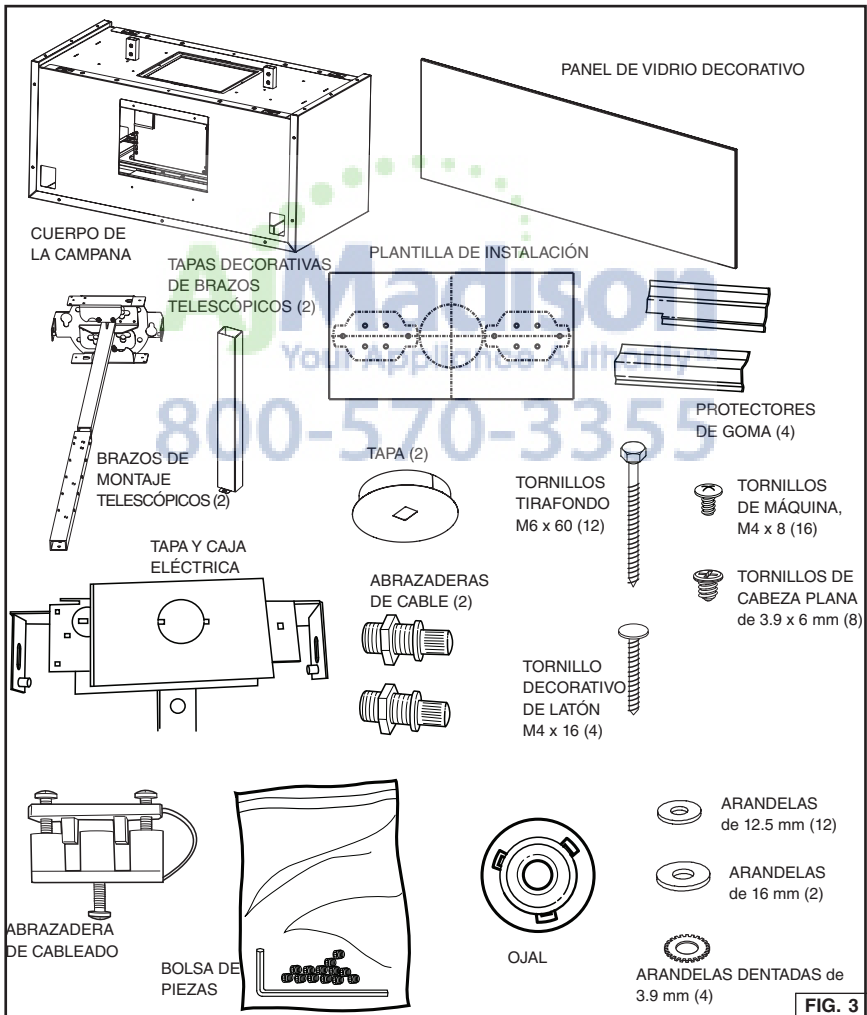
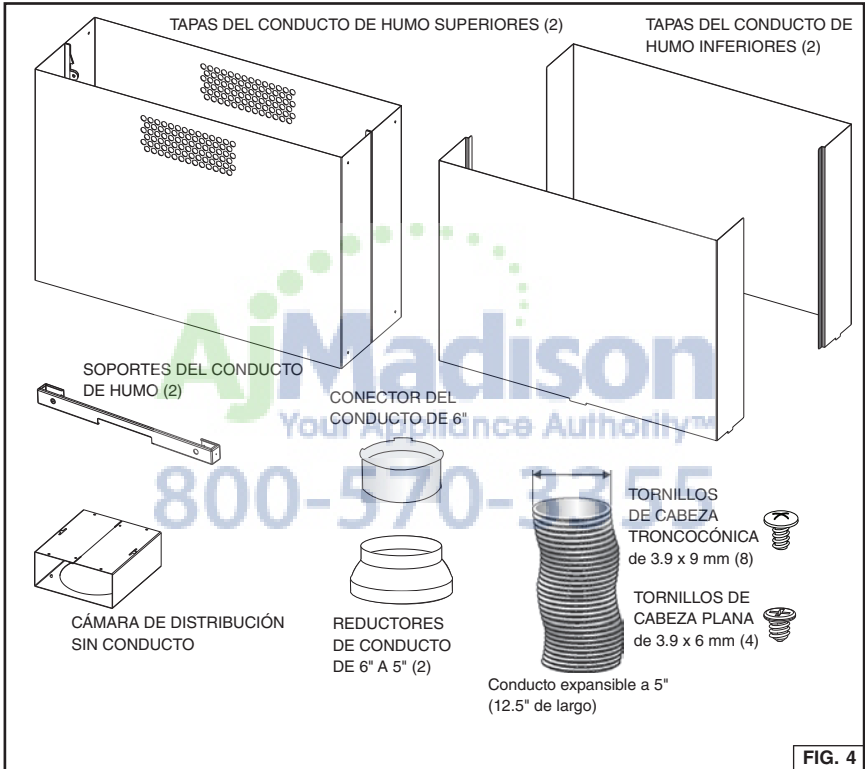


FIG. 3

Contenidos del Kit Opcional de Conducto de Humo Entubado y Sin Entubar AEIC35SB

- 2 - Tapas del conducto de humo superiores
- 2 - Tapas del conducto de humo inferiores
- 2 - Soportes del conducto de humo
- 1 - Conducto expansible a 5" (12.5" de largo)
- 1 - Cámara de distribución sin conducto
- 1 - Conector del conducto de 6"
- 2 - Reductores de conducto de 6" a 5"
- 4 - Tornillos de cabeza plana de 3.9 x 6 mm
- 8 - Tornillos de cabeza troncocónica de 3.9 x 9 mm



DETERMINACIÓN DE LA CONFIGURACIÓN DEL ENTUBADO

Esta campana se puede entubar de tres formas distintas:

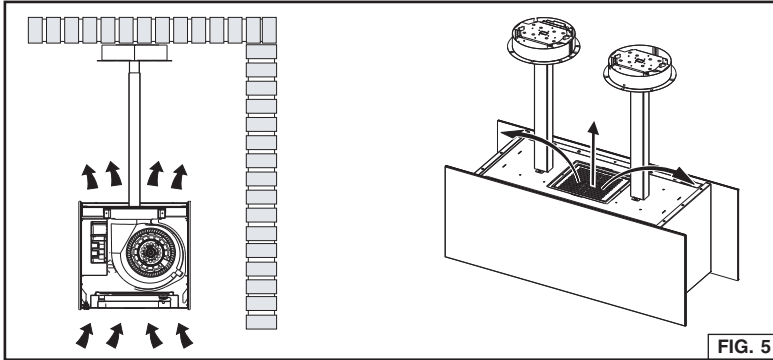


FIG. 5

Sin entubar con tapas decorativas para los brazos de soporte. Fig. 5.

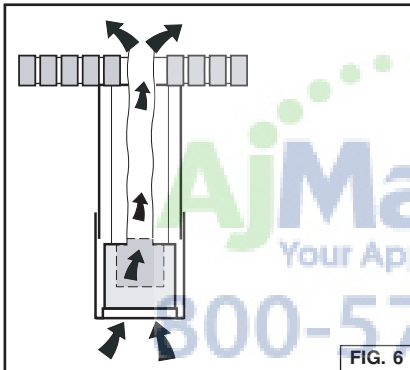


FIG. 6

Entubada con conducto de humo decorativo (requiere el Kit del Conducto de Humo Entubado y Sin Entubar AEIC35SB) Fig. 6.

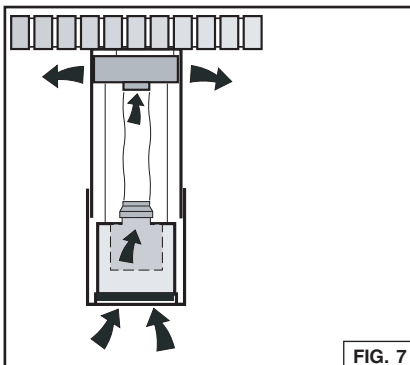


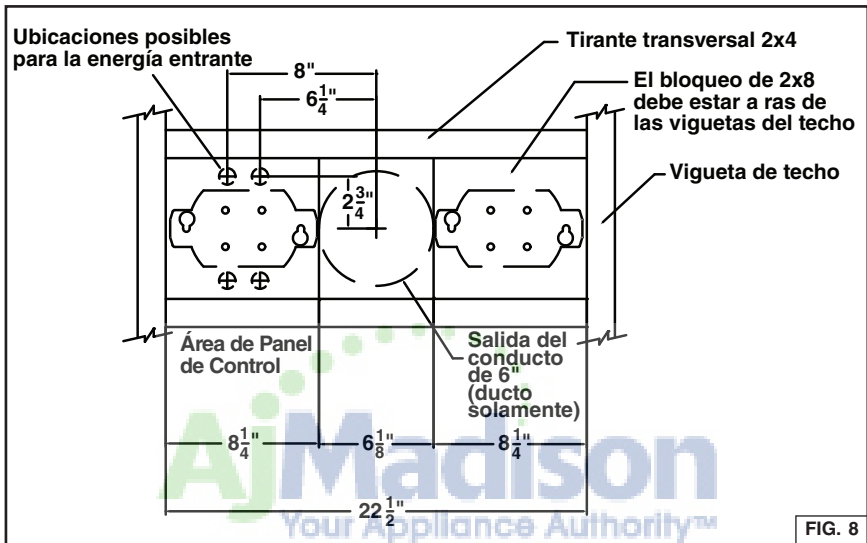
FIG. 7

Sin entubar con tapas decorativas para el conducto de humo (requiere el Kit del Conducto de Humo Entubado y Sin Entubar AEIC35SB) Fig. 7.

REQUISITOS ESTRUCTURALES

El peso total de la campana es de 63 lb como se entrega y de 82 lb cuando se utiliza el kit de conducto de humo entubado. Para asegurar una correcta instalación, se deben tener en cuenta las consideraciones especiales estructurales. Los soportes de montaje se deben montar en un listón nominal de 2". No se deben usar paredes de yeso huecas de ningún tipo. Fig. 8.

DETALLES DE INSTALACIÓN OCULTA



INSTALACIÓN ELÉCTRICA OCULTA

Esta campana está conectada mediante cables a través de una caja de unión ubicada en el toldo de la campana. La energía entrante se debe ubicar como se muestra en las imágenes arriba.

⚠ ADVERTENCIA: una persona capacitada debe realizar el trabajo del cableado eléctrico conforme a los códigos y estándares correspondientes.

INSTALACIÓN DE LOS ENTUBADOS

SÓLO CAMPANAS ENTUBADAS (SE REQUIERE AEIC35SB)

PRECAUCIÓN: Para reducir el riesgo de incendios, sólo utilice entubados de metal.

1. Decida en qué lugar entre la campana y el exterior colocará los entubados. Fig. 9.
2. Un tendido de conducto corto y recto permitirá que la campana funcione con la mayor eficiencia.
3. Los tendidos de conductos largos, los codos y las transiciones reducirán el rendimiento de la campana. Utilice la menor cantidad posible de estos. Es posible que se necesiten entubados para mejorar el rendimiento con tendidos de conductos más largos.
4. Instale un sombrerete para techo o pared. Conecte un entubado de metal circular de 6" en el sombrerete y trabaje hacia atrás, hacia la ubicación de la campana. Utilice cinta adhesiva para sellar las juntas entre las secciones del entubado.

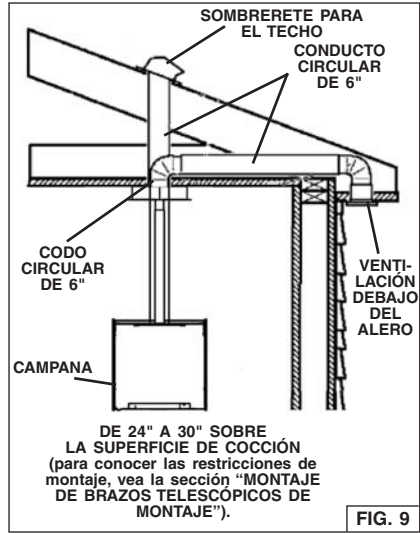


FIG. 9

MONTAJE DE LOS BRAZOS DE MONTAJE TELESCÓPICOS

1. Pegue con cinta adhesiva la plantilla de montaje en su lugar y realice perforaciones (12) de 1/8" de diámetro en las ubicaciones centrales indicadas. Fig. 10. Una vez completado este paso, retire la plantilla del techo.

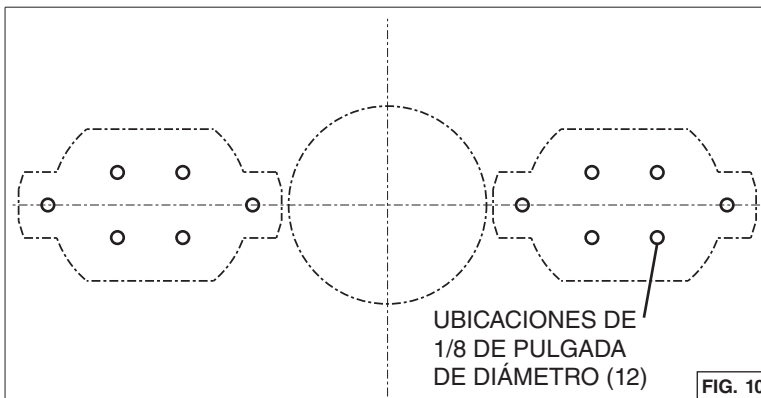
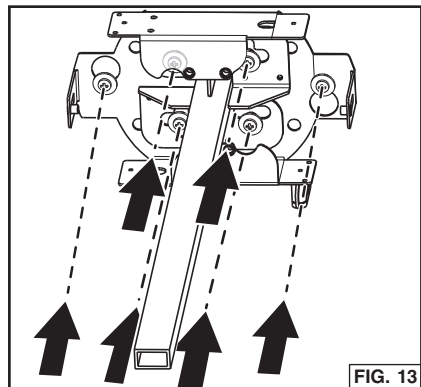
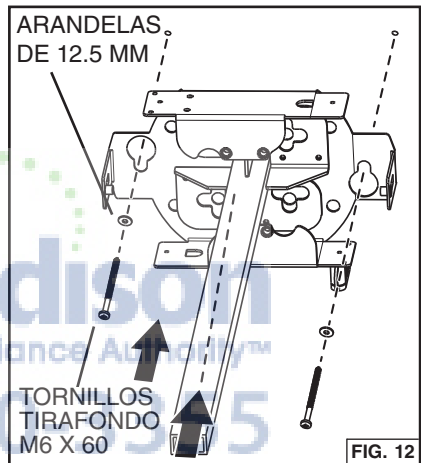
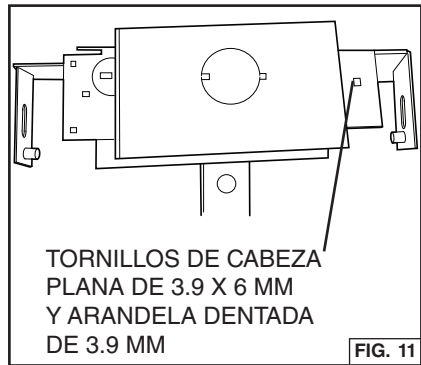


FIG. 10

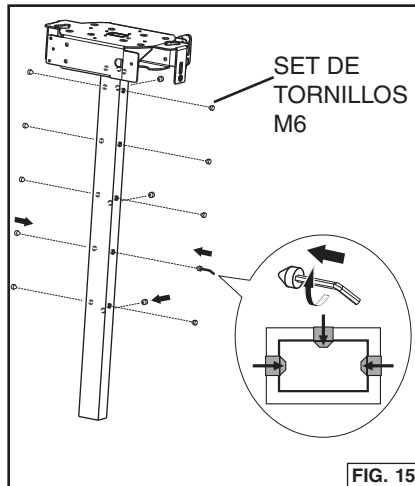
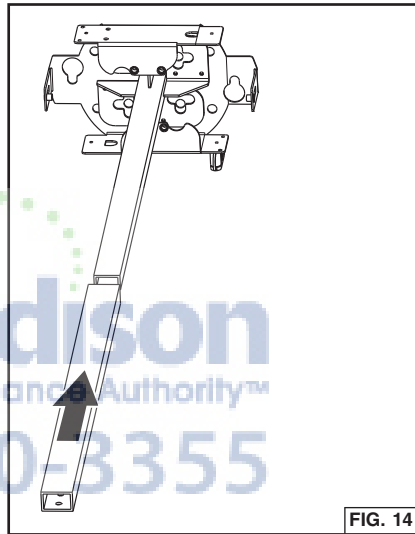
2. Monte la caja de unión al brazo telescópico (ver gráfico de instalación oculta para seleccionar el brazo correcto) con (2) tornillos de cabeza plana de 3.9 x 6 mm y (2) arandelas dentadas de 3.9 mm. Fig. 11.
3. Monte los dos brazos telescópicos. Inserte los tornillos tirafondo M6 x 60 con arandelas de 12.5 mm; montaje en las dos ranuras bocallave (2 tornillos por brazo). Asegúrese de que los brazos estén perpendiculares al techo. Fig. 12.
4. Inserte los (4) tornillos tirafondo restantes para cada brazo. Fig. 13.



5. Determinación de la altura de montaje de la campana.

Altura del techo	Distancia entre la parte superior de la cocina y la parte inferior de la campana	Altura del conjunto del brazo telescópico ensamblado
8 pies	24"	23.5"
8 pies	26"	21.5"
9 pies	25"	34.5"
9 pies	26"	33.5"
9 pies	28"	31.5"
9 pies	30"	29.5"

6. Inserte el brazo telescópico inferior (ver gráfico 14) y ajuste el largo al alto, como se muestra en la tabla de arriba.
7. Coloque los tornillos M6 en todos los orificios que hagan contacto con el brazo inferior. Asegúrese de que haya un mínimo de 6 tornillos por brazo. Fig. 15.

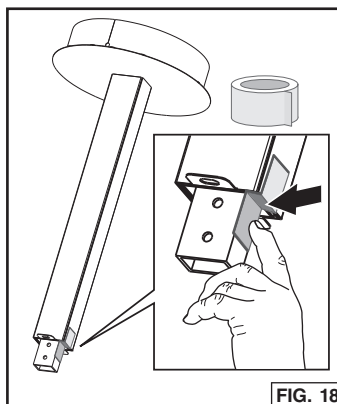
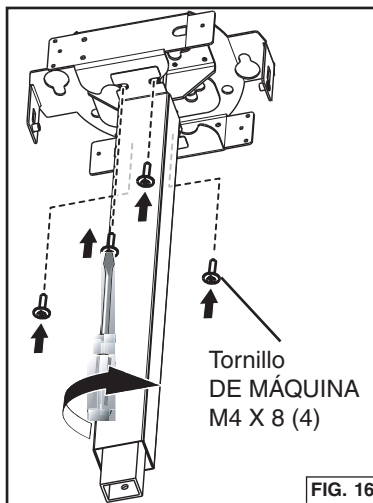


Nota: Si utilizará el Kit del Conducto de Humo Entubado y Sin Entubar AEIC35SB en la instalación, proceda al paso 11.

SOLO PARA VERSIÓN EN STOCK

8. Coloque la tapa decorativa del brazo superior con cuatro tornillos de máquina M4 x 8. Fig. 16.
9. Coloque la cinta de la tapa decorativa temporalmente en su lugar (deberá extraerla al realizar la conexión eléctrica). Fig. 17.
10. Deslice el brazo decorativo inferior y coloque la cinta temporalmente en su lugar. Fig. 18.

Proceda al paso 18.



**PARA LA VERSIÓN DEL KIT DE
CONDUCTO DE HUMO ENTUBADO
AEIC35SB**

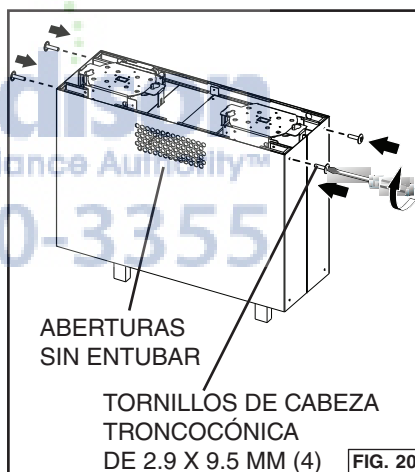
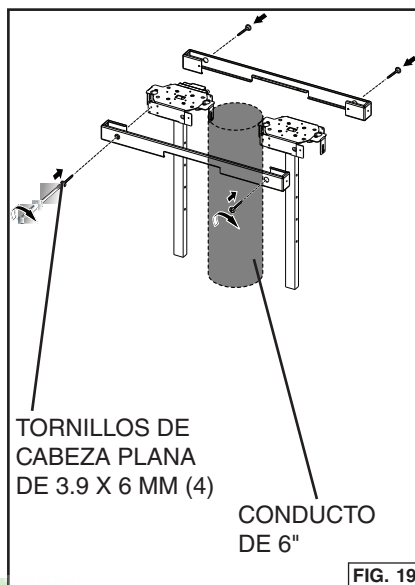
11. Instale los soportes de tapa del conducto de humo en los soportes del brazo con (4) tornillos de cabeza plana de 3.9 x 6 mm e instale el conducto de 6" en la entrada del techo. Fig. 19.
12. Instale temporalmente las tapas superiores del conducto de humo con (4) tornillos de cabeza troncocónica 2.9 x 9.5 mm (deberá extraerlas al realizar la conexión eléctrica). Fig. 20.

Nota: Las aberturas sin entubar se pueden cubrir en:

- Instalaciones de techo de 8 pies.
- Instalaciones de techo de 9 pies en las que la parte inferior de la campana esté a 30" sobre la cocina.

Rote el conducto de humo de manera que las aberturas sin entubar queden al fondo del conducto de humo.

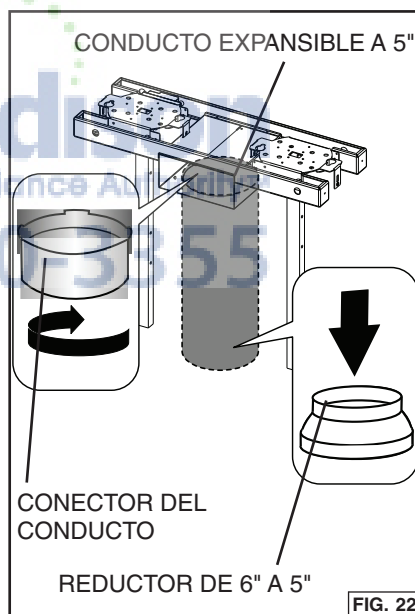
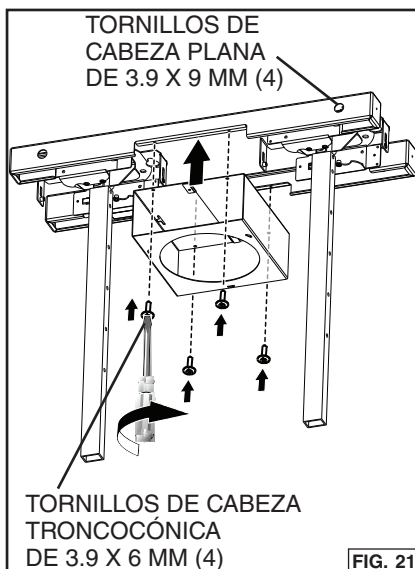
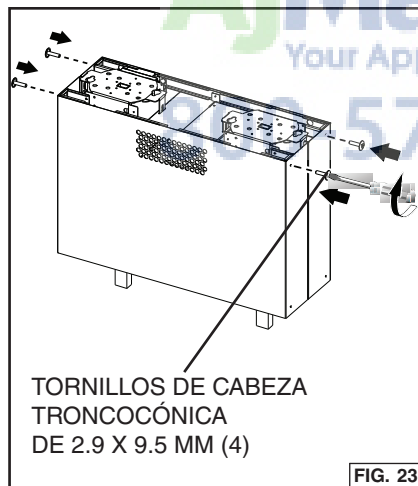
Proceda al paso 24.



PARA LA VERSIÓN DEL KIT DE CONDUCTO DE HUMO SIN ENTUBAR AEIC35SB

13. Ensamble la cámara de distribución sin entubar a los rieles de la tapa del conducto con (4) tornillos de cabeza troncocónica de 3.9 x 6 mm Fig. 21.
14. Deslice los rieles de tapa del conducto de humo sobre los brazos telescópicos y fíjelos a los soportes del brazo con (4) tornillos de cabeza plana de 3.9 x 9 mm. Fig. 21.
15. Instale el conector del conducto plástico en la cámara de distribución sin entubar y luego instale el reductor de 6" a 5" y selle con cinta adhesiva. Fig. 22.
16. Instale el conducto expansible a 5" x 12.5" y selle con cinta adhesiva. Fig. 22.
17. Instale temporalmente las tapas superiores del conducto de humo con (4) tornillos de cabeza troncocónica 3.9 x 9 mm (deberá extraerlas al realizar la conexión eléctrica). Fig. 23.

Proceda al paso 24.



18. Extraiga el filtro de grasas ubicado en la parte inferior de la campana. Fig. 23. Monte la campana sobre los brazos telescópicos con (4) tornillos de máquina M4 x 8. Fig. 24. Asegúrese de que el cable eléctrico se encuentre en el brazo correcto con la caja de unión y la energía entrante. Hale del cable de seguridad desde los brazos de extensión en dirección a la campana. Fig. 24.

19. Fije los cables de seguridad como se muestra en la Fig. 25.

A. Empuje el cable a través de los vástagos de soporte y hacia la cavidad de la campana.

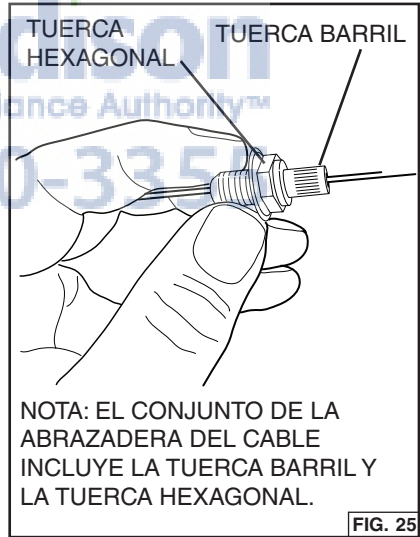
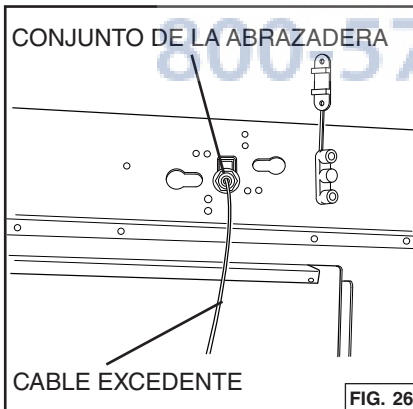
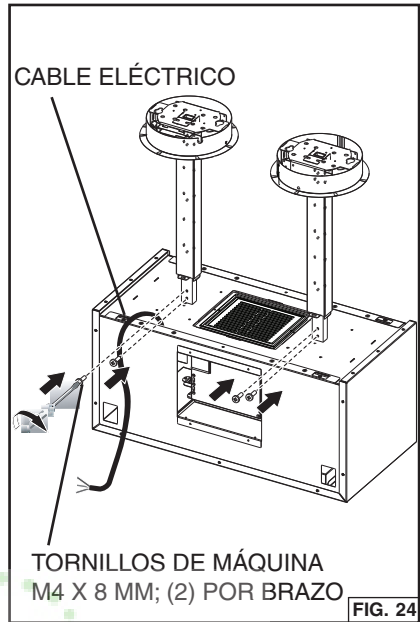
B. Deslice la arandela y la abrazadera de cable con la tuerca barril por el cable.

Nota: La tuerca barril se debe retrasar levemente de la abrazadera de cable, y se la debe presionar (compresión mediante resortes) al deslizar el conjunto por el cable.

C. Presione el conjunto de la abrazadera hasta la parte superior de la campana mientras presiona la tuerca barril hacia abajo. Fig. 26.

D. Cuando el conjunto esté totalmente arriba dentro de la campana, apriete completamente la tuerca barril.

E. Corte el exceso de cable.



20. Descienda las tapas del brazo decorativo y las tapas del toldo. Coloque el cable de alimentación a través del brazo y hacia la caja de unión. Fig. 27.

21. Realice las conexiones del cableado e instale la tapa de salida con (2) tornillos de cabeza plana de 3.9 x 6 mm y (2) arandelas dentadas de 3.9 mm. Fig. 28.

22. Instale las tapas del toldo con (4) tornillos decorativos de latón M4 x 16. Fig. 29.

23. Deslice hacia abajo el brazo decorativo inferior sobre la parte superior de la campana y fíjelo con (2) tornillos de cabeza plana de 3.9 x 6 mm por brazo. Fig. 30.

Ir a "INSTALACIÓN DE PANELES DE VIDRIO"

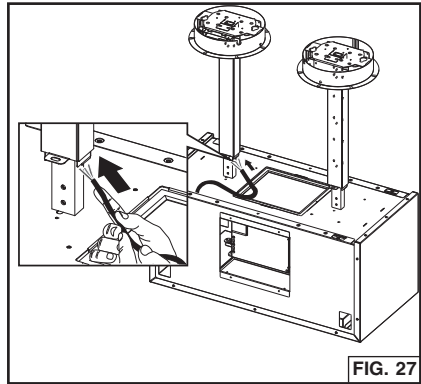


FIG. 27

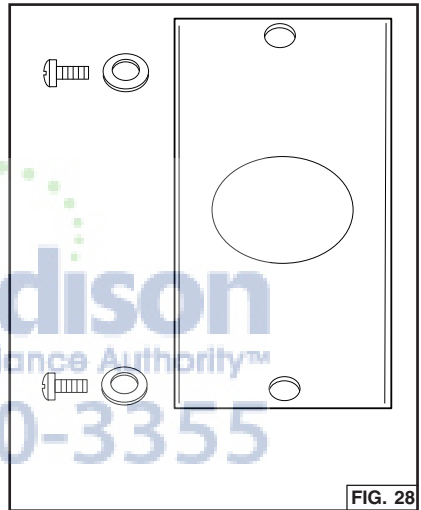
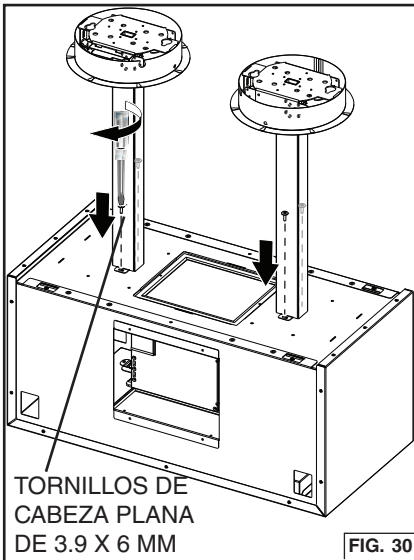
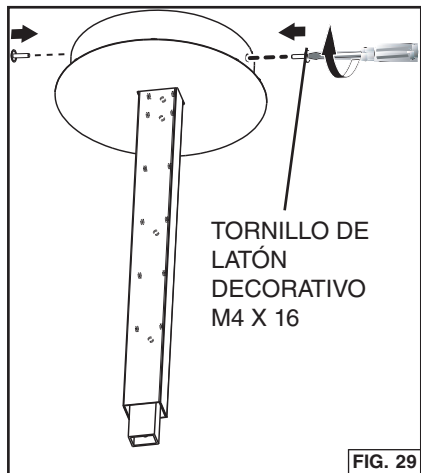


FIG. 28



TORNILLOS DE
CABEZA PLANA
DE 3.9 X 6 MM

FIG. 30

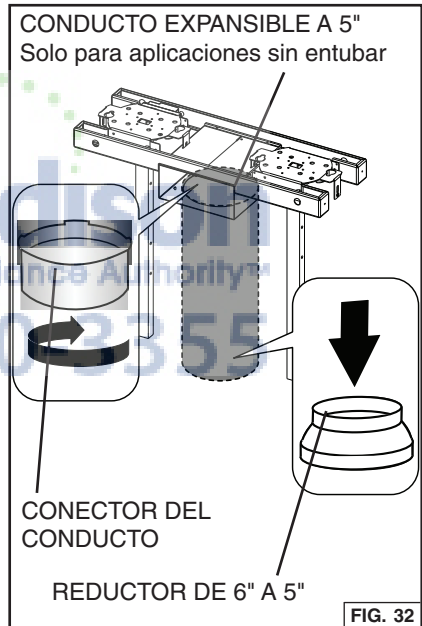
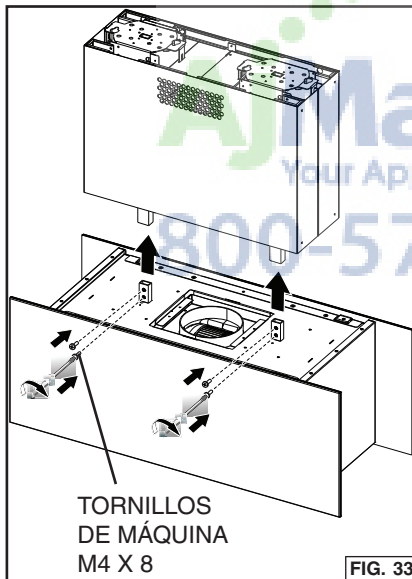
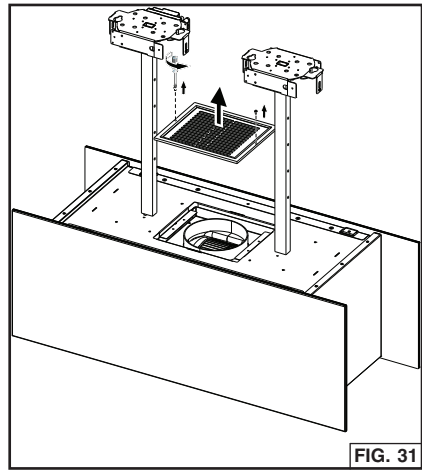


TORNILLO DE
LATÓN
DECORATIVO
M4 X 16

FIG. 29

PARA LA VERSIÓN DE CONDUCTO DE HUMO ENTUBADO Y SIN ENTUBAR

24. Extraiga la rejilla protectora en la parte superior de la campana y el filtro de grasas inferior. Fig. 31.
25. Para la versión entubada, instale el conector del conducto en la entrada del soplador. Fig. 32.
26. Para la versión sin entubar, coloque un reductor de 6" a 5" sobre la abertura del soplador y cinta adhesiva en el lugar correspondiente. Fig. 32.
27. Monte la campana sobre los brazos telescópicos con (4) tornillos de máquina M4 x 8. Asegúrese de que el cable eléctrico se encuentre en el brazo correcto con la caja de unión y la energía entrante. Hale del cable de seguridad desde los brazos de extensión en dirección a la campana. Alinee el entubado con la abertura del soplador o la abertura del reductor. Fig. 33.



28. Fije los cables de seguridad como se muestra en la Fig. 34.

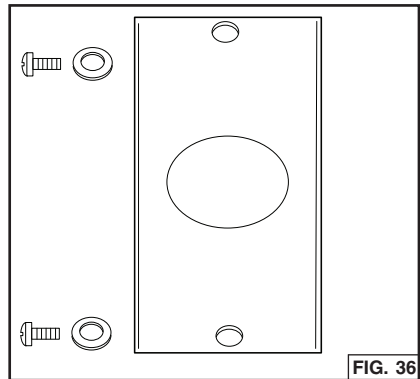
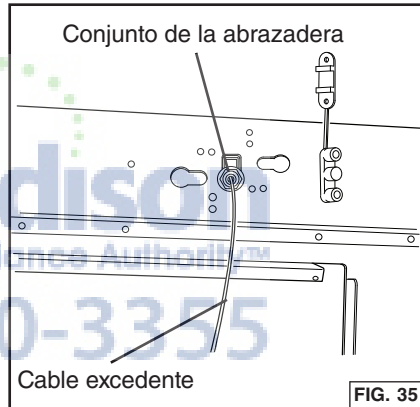
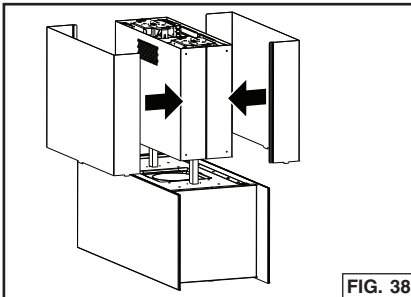
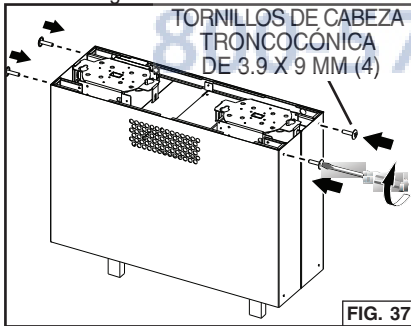
- A. Empuje el cable a través de los vástagos de soporte y hacia la cavidad de la campana.
- B. Deslice la arandela y la abrazadera de cable con la tuerca barril por el cable.
Nota: La tuerca barril se debe retrasar levemente de la abrazadera de cable, y se la debe presionar (compresión mediante resortes) al deslizar el conjunto por el cable.
- C. Presione el conjunto de la abrazadera hasta la parte superior de la campana mientras presiona la tuerca barril hacia abajo. Fig. 35.
- D. Cuando el conjunto esté totalmente arriba dentro de la campana, apriete completamente la tuerca barril.
- E. Corte el exceso de cable.



29. Extraiga los tornillos de montaje del conducto de humo superior y descienda los conductos de humo para ver la caja de cableado. Realice las conexiones eléctricas finales. Instale la cubierta de la caja de salida con (2) tornillos de cabeza plana de 3.9 x 6 mm y (2) arandelas dentadas de 3.9 mm. Fig. 36.

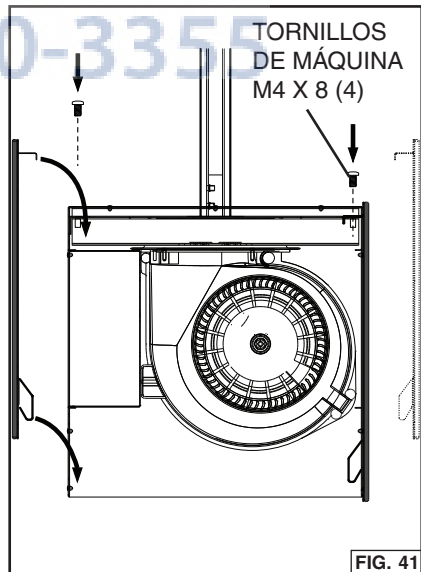
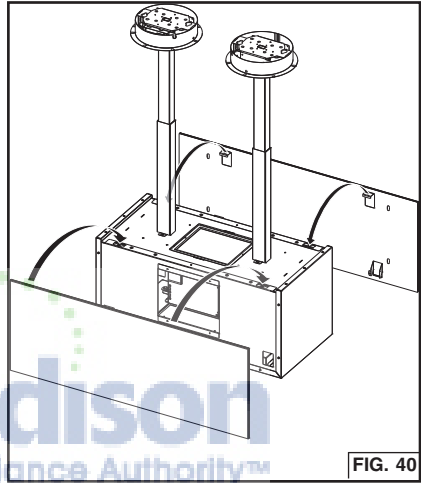
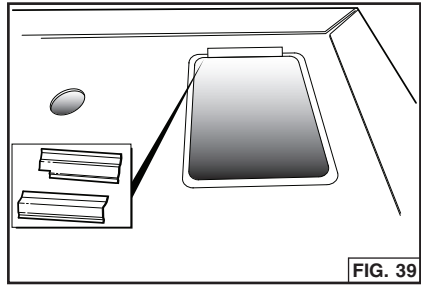
30. Vuelva a instalar las tapas superiores del conducto de humo con (4) tornillos de cabeza troncocónica de 3.9 x 9 mm. Fig. 37.

31. Fije las cubiertas inferiores del conducto de humo. Fig. 38.



INSTALACIÓN DE PANELES DE VIDRIO

1. Coloque (4) protectores negros en las ranuras inferiores ubicadas en borde inferior, al costado de la campana. Fig. 39.
2. Instale los paneles de vidrio y fíjelos con (4) tornillos de máquina M4 x 8. Fig. 40 y Fig. 41.



AjMadison
Your Appliance Authority™
800-570-3355

INSTALACIÓN DE FILTROS

1. Para campanas sin conducto, tome los filtros de carbón y gírelos un cuarto de vuelta en sentido antihorario hacia el soplador. Fig. 42.
2. Instale el filtro de grasas. Fig. 43.

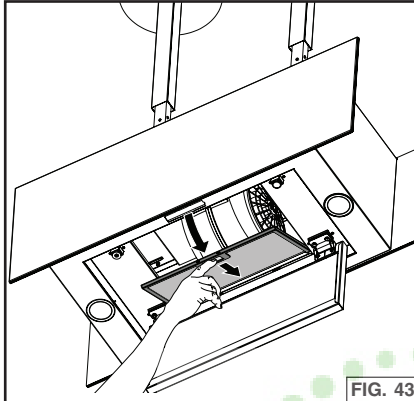
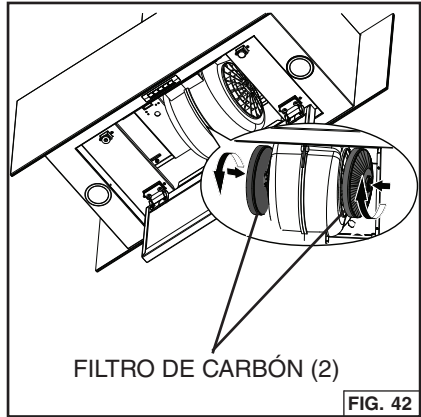


FIG. 43



FILTRO DE CARBÓN (2)

FIG. 42

AjMadison
Your Appliance Authority™
800-570-3355

GARANTIA

GARANTIA LIMITADA POR UN AÑO PARA LOS PRODUCTOS BEST

Broan-NuTone LLC (Broan-NuTone) garantiza al consumidor comprador original de productos Best que dichos productos carecerán de defectos en materiales o en mano de obra por un período de un año a partir de la fecha original de compra. NO EXISTEN OTRAS GARANTIAS, EXPLÍCITAS O IMPLÍCITAS, INCLUYENDO, PERO NO LIMITADAS A, GARANTIAS IMPLÍCITAS DE COMERCIALIZACION O APTITUD PARA UN PROPOSITO PARTICULAR.

Durante el período de un año, y a su propio criterio, Broan-NuTone reparará o reemplazará, sin costo alguno cualquier producto o pieza que se encuentre defectuosa bajo condiciones normales de servicio y uso.

LA PRESENTE GARANTÍA NO CUBRE LOS TUBOS FLUORESCENTES NI SUS ARRANCADORES, BOMBILLAS DE HALÓGENO E INCANDESCENTES, FUSIBLES, FILTROS, CONDUCTOS, TAPONES DE TECHO O PAREDES Y DEMÁS ACCESORIOS PARA CONDUCTOS. Esta garantía no cubre (a) mantenimiento y servicio normales o (b) cualquier producto o piezas que hayan sido utilizadas de forma errónea, negligente, que hayan causado un accidente, o que hayan sido reparadas o mantenidas inapropiadamente (por otras compañías que no sean Broan-NuTone), instalación defectuosa, o instalación contraria a las instrucciones de instalación recomendadas.

La duración de cualquier garantía implícita se limita a un período de un año como se especifica en la garantía expresa. Algunos estados no permiten limitaciones en cuanto al tiempo de expiración de una garantía implícita, por lo que la limitación antes mencionada puede no aplicarse a usted.

LA OBLIGACION DE BROAN-NUTONE DE REPARAR O REEMPLAZAR, SIGUIENDO EL CRITERIO DE BROAN-NUTONE, DEBERA SER EL UNICO Y EXCLUSIVO RECURSO LEGAL DEL COMPRADOR BAJO ESTA GARANTIA. BROAN-NUTONE NO SERA RESPONSABLE POR DAÑOS INCIDENTALES, CONSIGUIENTES, O POR DAÑOS ESPECIALES QUE SURJAN A RAIZ DEL USO O DESEMPEÑO DEL PRODUCTO. Algunos estados no permiten la exclusión o limitación de daños incidentales o consiguientes, por lo que la limitación antes mencionada puede no aplicarse a usted. Esta garantía le proporciona derechos legales específicos, y usted puede también tener otros derechos, los cuales varían de estado a estado. Esta garantía reemplaza todas las garantías anteriores.

Para calificar en la garantía de servicio, usted debe (a) notificar a Broan-NuTone al domicilio o al número de teléfono que se menciona abajo, (b) dar el número del modelo y la identificación de la pieza, y (c) describir la naturaleza de cualquier defecto en el producto o pieza. En el momento de solicitar servicio cubierto por la garantía, usted debe de presentar evidencia de la fecha original de compra.

En EE. UU. - BEST® Hartford, Wisconsin 800-558-1711
En Canadá - BEST® Drummondville, QC 866-737-7770

www.BestRangeHoods.com

PIEZAS DE REPUESTO

N.º DE REFERENCIA	N.º DE PIEZA	DESCRIPCIÓN
5	B08087677	PARRILLA
9	B08087826	FILTRO DE GRASAS
14	B02300233	CONDENSADOR
16	B03115244	SOPORTE DE CAJA ELÉCTRICA
26	B02300890	FOCO
37	B02300804	PERILLA
38	B03295595	CAJA DEL TABLERO DEL CIRCUITO
45	BW0000021	ELÉCTRICO IMPRESO SOPLADOR
48	B02310260	MOTOR (SENTIDO HORARIO)
49	B03295071	VENTILADOR (SENTIDO HORARIO)
53	B03204177	ARANDELA DE CAUCHO
58	B03295018	REDUCCIÓN DE SALIDA
62	B03115243	SOPORTE DEL SOPLADOR
67	B02300961	CABLES
76	B002090356	VIDRIO SUPERIOR (IC35I90B)
	B002090357	VIDRIO SUPERIOR (IC35I90W)
86	B03292300	BRIDA DE SALIDA
	B08088378	BRIDA DE SALIDA
110	B03202430	JUNTA DE PLÁSTICO
115	B08093102	CAJA DE CONEXIÓN DEL CABLE DE ALIMENTACIÓN
116	BE3334252	CUBIERTA DE LA CAJA DE CONEXIÓN DEL CABLE DE ALIMENTACIÓN
119	B08092915	EXTENSIÓN DEL CONDUCTO SUPERIOR
	BE3404968	EXTENSIÓN DEL CONDUCTO SUPERIOR
	B08092980	EXTENSIÓN DEL CONDUCTO INFERIOR
122	B08092981	ELEVADOR
124	B08093107	ESQUELETO TELESCÓPICO INFERIOR
147	BR2300132	ABRAZADERA DE UNIÓN
154	B03202286	INTERRUPTOR DEL CABLE DE ALIMENTACIÓN
166	B08080852	TABLERO DEL CIRCUITO ELÉCTRICO IMPRESO
167	B03295596	TAPA DE LA CAJA ELÉCTRICA
202	B03292290	INTERRUPTOR DEL REFLECTOR
332	B08093101	TAPA
343	B08093100	PANEL DE CIERRE
362	B02011377	RESORTE DEL VISOR DE LA PANTALLA
415	B03292596	GUÍA
474	B02300918	LÁMPARA HALÓGENA
477	B02011354	CIERRE
503	B02011452	CONDUCTO EXPANSIBLE
AQI	B06103891	ENSAMBLE DE LA CAJA DE INTERRUPTORES
*	B080810943	EQUIPO DE AJUSTE (INCLUYE N.º DE REFERENCIA 122 Y 86 - B03292300)
*	B06002157	CONJUNTO DE SOPLADO (INCLUYE N.º DE REFERENCIA 45, 48, 49, 53)
*	B06145214	CONJUNTO DE INSTALACIÓN ELÉCTRICA (INCLUYE N.º DE REFERENCIA 14, 38, 67, 147, 166, 167)
*	B080810938	EQUIPO DE AJUSTE (INCLUYE N.º DE REFERENCIA 110, 115, 116, 202, 415)

PIEZAS DE REPUESTO

