

Scirocco

a disappearing downdraft

- downdraft vent system
- pops up and down
- flush with cooktop in down position
- sleek design
- safety microswitches
- 500 cfm for internal blower
- 900 cfm for remote blower
- variable speed control
- dishwasher safe grease filters
- stainless steel trim
- four way venting
- some range: 3.5 - 6.5
- 3 1/4" x 10" duct (internal)
- 10" round duct (remote)



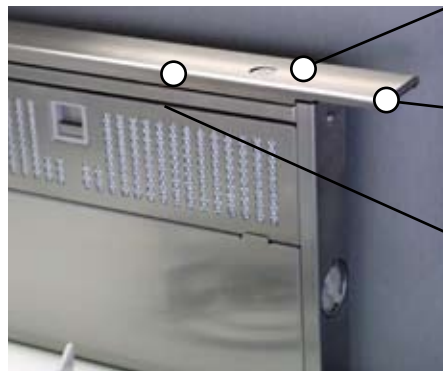
The Scirocco downdraft is perfect for island installations, where an overhead canopy would be obstructive, or wall installations where cabinet space is at a premium.



Rising a full 8 1/4" above the cooktop, the Scirocco vents horizontally across the cooking surface and down through the exhaust vent. At the press of a button, the stainless steel Scirocco retracts back down into the counter.

Size/Color/Model

30 SS Internal	SCIR3008IB
36 SS Internal	SCIR3608IB
30 SS Remote	SCIR3008RB
36 SS Remote	SCIR3608RB
900 cfm Rmt Blwr	RBORIG900

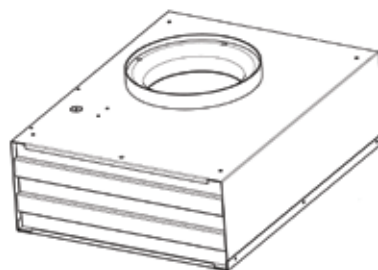


Momentary delay up/down button prevents the unit from raising or lowering when cleaning the top trim.

Spring secured top trim pops off automatically if an object or finger obstructs its path.

Safety microswitches on the grease filters prevent the Scirocco from lowering when grease filters are not installed.

For more power, the Remote Blower can be mounted on the wall or roof outside the home

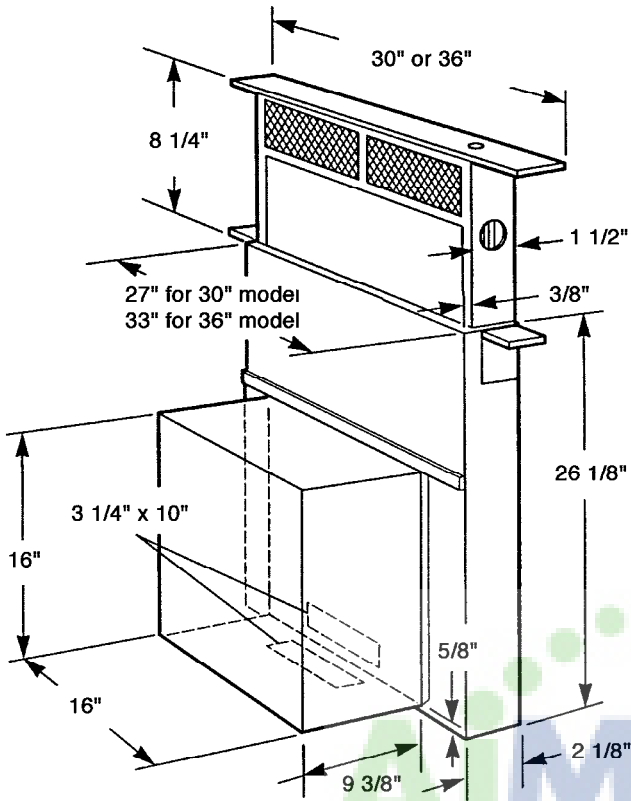


READ THE INSTALLATION INSTRUCTIONS FOR BOTH THE REMOTE BLOWER AND THE SCIROCCO DOWNDRAFT SYSTEM BEFORE INSTALLING EITHER PRODUCT.

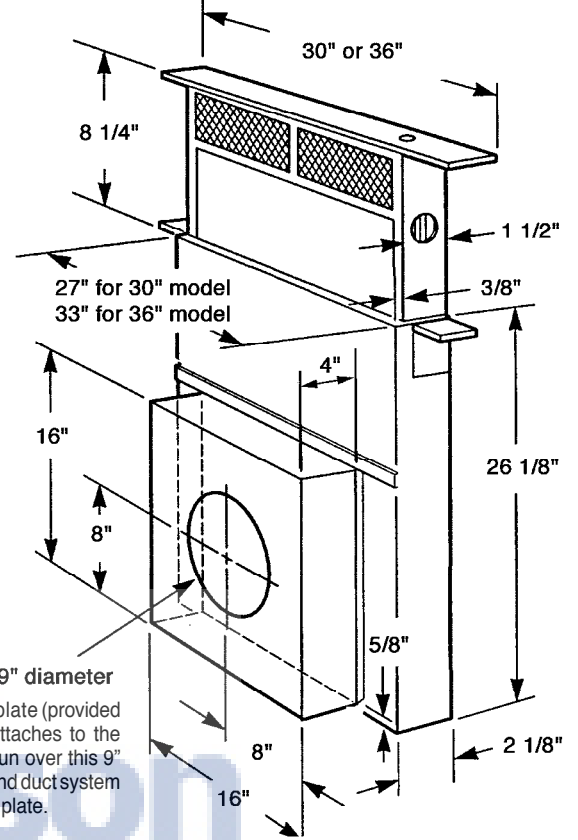
NOT FOR USE WITH COMMERCIAL COOKTOPS

Dimensional Diagrams

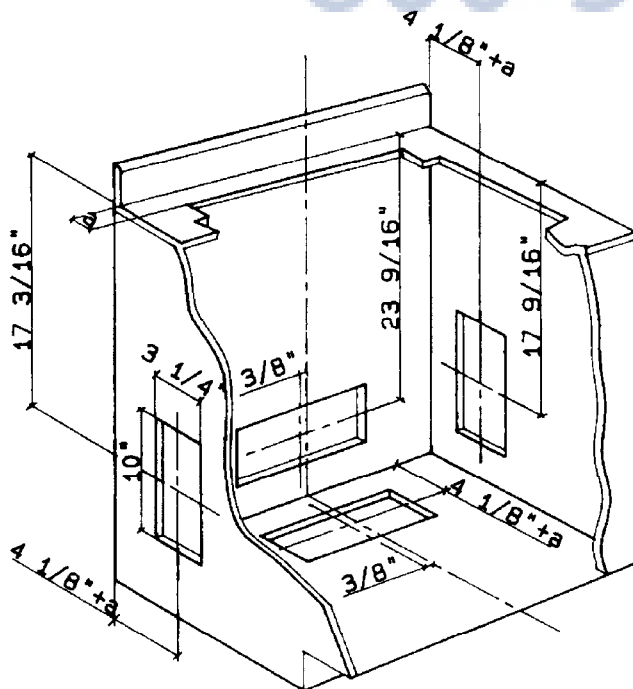
Internal Blower Model



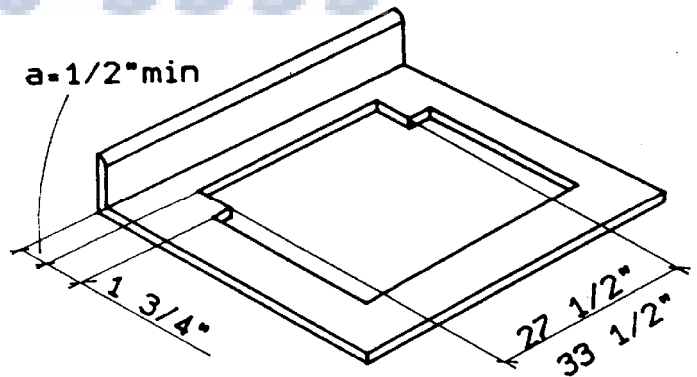
Remote Blower Model



Ductwork Cutout Dimensions For Internal Blower Model Only!



Countertop Cutout Dimensions For Both Internal and Remote Models



WARNING! You must know the cook top cutout to determine the downdraft cutout. Consult the cook top manufacturer's installation instructions before cutting the counter top.