

WF45K6200AZ

Samsung Front-Load Washer

4.5 cu. ft. Capacity

Features

- AddWash
- VRT Plus™
- Self Clean+
- Smart Care
- Diamond Drum Design
- Smart Home Ready
- Direct Drive Motor
- 1300 RPM Maximum Spin Speed
- 12 Preset Wash Cycles
- 10 Options

Convenience

- Child Lock
- Door Lock
- Dispenser Trays: Prewash, Main Wash, Softener, Bleach



ENERGY STAR®-rated:

CEE Tier 3
IMEF = 2.92



IWF = 2.9
75 kWh/yr



AddWash



4.5 cu. ft. Capacity

Available Colors:



Azure



White

Signature Features

AddWash

- Conveniently add in forgotten laundry after the cycle has begun with the **AddWash** door.
- Save time and energy by not doing an additional load of laundry.

4.5 CU. FT. CAPACITY

- Large capacity 27" washer lets you wash up to 3 laundry baskets in a single load.¹
- Fit more laundry – so you can do fewer loads.

¹Based on an 8-lb. load of laundry.

VRT PLUS™

- Reduces noise and vibration to an incredibly low level.
- Upstairs laundry has never been less obtrusive.

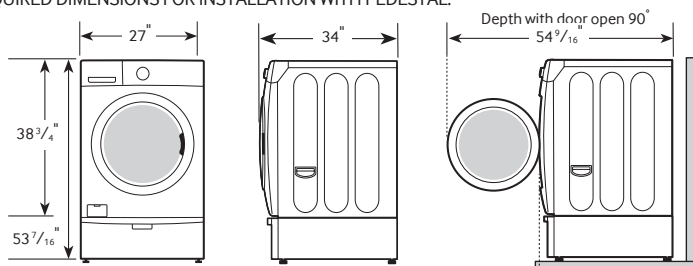
SAMSUNG

WF45K6200AZ

Samsung Front-Load Washer

Dimensions

REQUIRED DIMENSIONS FOR INSTALLATION WITH PEDESTAL:

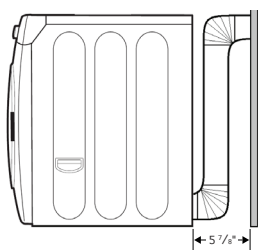
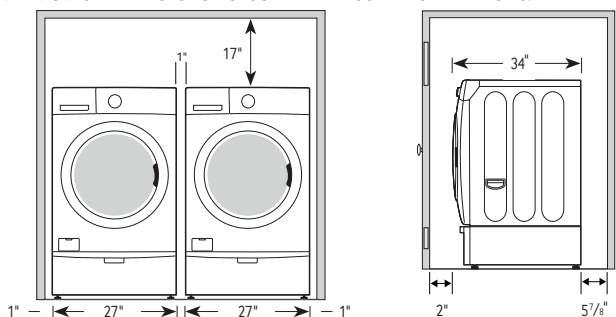


Installation Specifications

If the washer and dryer are installed together or the dryer alone, the closet front must have two unobstructed air openings for a combined minimum total area of 72 in.² (see stacked build below). Your washer alone does not require a specific air opening.

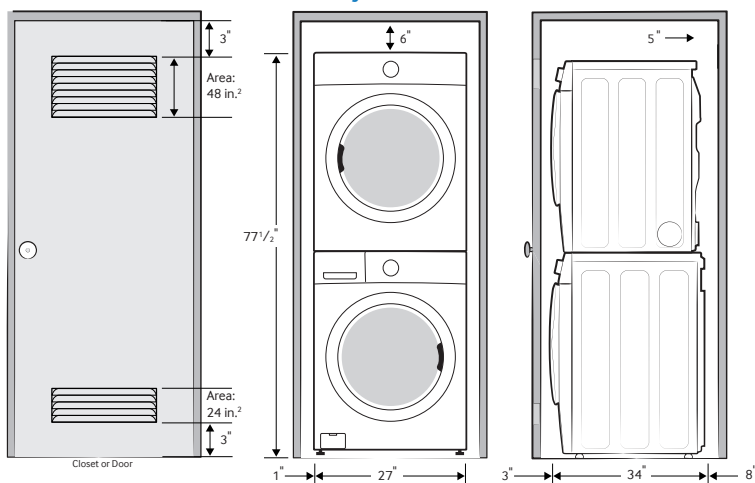
1. Alcove or closet installation

MINIMUM CLEARANCES FOR CLOSET AND ALCOVE INSTALLATIONS:



When installing with matching dryer, if the exhaust duct is installed at the rear of the dryer, the rear must have at least 5 7/8 inch clearance.

2. With stacked washer and dryer



4.5 cu. ft. Capacity

12 Preset Wash Cycles:

Normal, Heavy Duty, Permanent Press, Towels, Bedding, Whites, Stain Away, Active Wear, Delicates, Wool, Quick Wash, Rinse and Spin

10 Options:

Self Clean+, Delay End, My Cycle, Prewash, Extra Rinse, Extra Spin, Sound, Smart Care, Spin Only, Child Lock

4 Temperature Settings:

Hot, Warm, Eco Warm, Cold

4 Spin Settings:

High, Medium, Low, No Spin

3 Soil Settings:

Heavy, Normal, Light

Dispenser Trays:

Prewash, Main Wash, Softener, Bleach

Warranty

One (1) Year Parts and Labor

One (1) Year Control Board

Three (3) Years Stainless Steel Drum

Ten (10) Years Direct Drive Motor

Product Dimensions & Weight (WxHxD)

Dimensions: 27" x 38 3/4" x 34"

Weight: 224.8 lbs

Shipping Dimensions & Weight (WxHxD)

Dimensions: 29 3/8" x 41 3/4" x 35 1/4"

Weight: 231.5 lbs

Color	Model #	UPC Code
Azure	WF45K6200AZ	887276138114
White	WF45K6200AW	887276138107

Matching Dryer (Electric/Gas)

Azure	DV45K6200EZ	887276138343
White	DV45K6200EW	887276138329
Azure	DV45K6200GZ	887276138374
White	DV45K6200GW	887276138367

Optional Stacking Kit

Sold separately SKK-7A 887276146423



Actual color may vary. Design, specifications, and color availability are subject to change without notice. Non-metric weights and measurements are approximate.

©2016 Samsung Electronics America, Inc. 85 Challenger Road, Ridgefield Park, NJ 07660. Tel: 800-SAMSUNG. samsung.com. Samsung is a registered trademark of Samsung Electronics Co. Ltd.