

NA30K6550TS

30" Gas Cooktop

Features

- WiFi Connectivity
- Powerful Cooktop
 - Right Front: 13K BTU
 - Left Front: 9.5K BTU
 - Right Rear: 5K BTU
 - Left Rear: 9.5K BTU
 - Center: Dual, 19K BTU (Oval)
- Cast Iron 3-Piece Grates
- Sealed Burners
- Burner On/Off Monitoring



Convenience

- Dishwasher Safe Grates
- LP Conversion Kit



19K Power Burner



LED Illuminated Backlit Knobs

Available Colors



Stainless Steel (shown)



Black Stainless Steel

Signature Features

19K POWER BURNER

- Powerful burner boils water faster.

GRIDDLE

- Cook breakfast foods, grill sandwiches, or sauté vegetables on the griddle.

LED ILLUMINATED BACKLIT KNOBS

- Visually lets you know your cooktop is on, even at a distance.

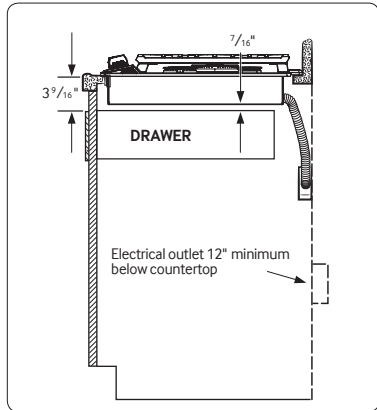
NA30K6550TS

30" Gas Cooktop

Installing Your Cooktop

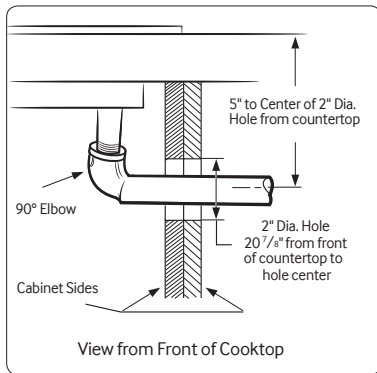
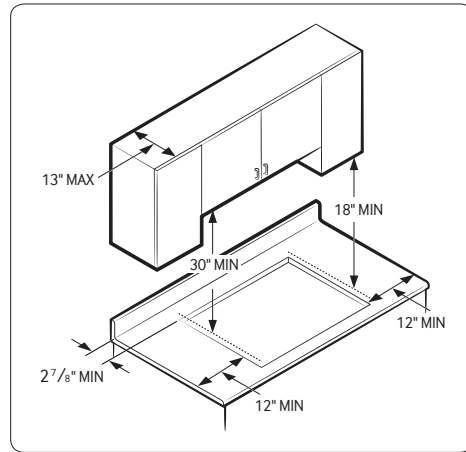
Can be installed over a single oven.

All horizontal clearances must be maintained for a minimum of 18" above the cooking surface.



Allow $\frac{7}{16}$ " minimum vertical clearance from the cooktop bottom (or $\frac{3}{16}$ " minimum depth from the countertop) to any combustible surfaces, including the upper edge of a drawer installed below the cooktop.

Maintain the following minimum clearance dimensions.



See built-in oven installation for complete installation instructions.

Total Power (BTU)

56K

Power Source

120V/60Hz

Gas Cooktop (BTU)

- Right Front: 13K
- Left Front: 9.5K
- Right Rear: 5K Simmer
- Left Rear: 9.5K
- Center: 19K (Dual)

Warranty

One (1) Year All Parts and Labor

Product Dimensions & Weight (WxHxD)

Outside (Max) Cooktop Dimensions:

30" x 3 $\frac{1}{8}$ " x 21"

Cooktop Cut-Out Dimensions:

28 $\frac{1}{2}$ " x 3 $\frac{1}{8}$ " x 19 $\frac{5}{8}$ "

Weight: 27.1 lbs. (27.6 lbs. Black Stainless Steel)

Shipping Dimensions & Weight (WxHxD)

Dimensions:

34 $\frac{11}{16}$ " x 10 $\frac{5}{8}$ " x 25 $\frac{5}{8}$ "

Weight: 74.5 lbs. (75.0 lbs. Black Stainless Steel)

Color

Model #

UPC Code

Stainless Steel

NA30K6550TS

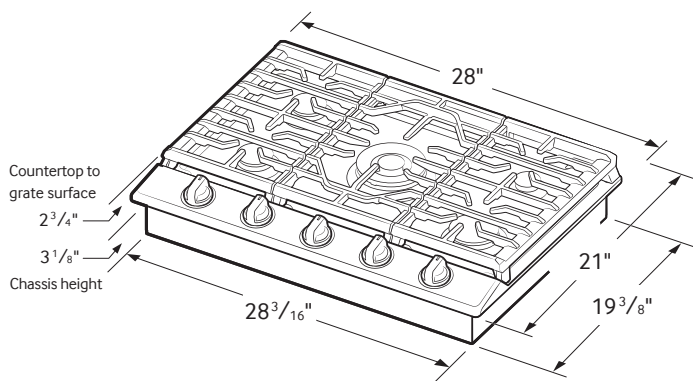
887276183473

Black Stainless Steel

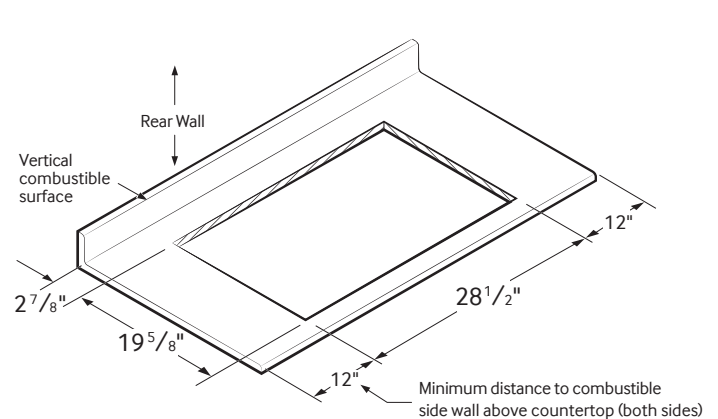
NA30K6550TG

887276183251

Cooktop Dimensions



Cutout Dimensions of Countertop



SAMSUNG

Actual color may vary. Design, specifications, and color availability are subject to change without notice. Non-metric weights and measurements are approximate.

©2016 Samsung Electronics America, Inc. 85 Challenger Road, Ridgefield Park, NJ 07660. Tel: 800-SAMSUNG. samsung.com. Samsung is a registered trademark of Samsung Electronics Co., Ltd.