

DV52J8060EW

Samsung Top-Load Electric Dryer

7.4 cu. ft. Capacity

Features

- Multi-Steam:
 - Steam Refresh
 - Steam Wrinkle Away
- Vent Sensor
- Smart Care
- Stainless Steel Drum
- Interior Drum Light
- 13 Preset Drying Cycles
- 12 Options
- 5 Temperature Settings
- 3-Way Venting
- Moisture Sensor
- Drying Rack
- Reversible See-Through Door
- LED Display: Ice Blue

Convenience

- Child Lock
- Filter Check Indicator



Multi-Steam



Smart Care

Available Color



White

Signature Features

MULTI-STEAM

- Steams away wrinkles.
- Helps remove odors and freshen clothes so you can spend less time ironing and less money at the dry cleaners.

VENT SENSOR

- Duct blockage sensing.
- Detects problems and helps remind you when you need to clean your vent to avoid lint blockages.
- Cleaning vents regularly improves your dryer performance.

SMART CARE

- Troubleshoot with your smartphone.
- Perform a quick diagnosis of your washer and dryer right from your smartphone.*

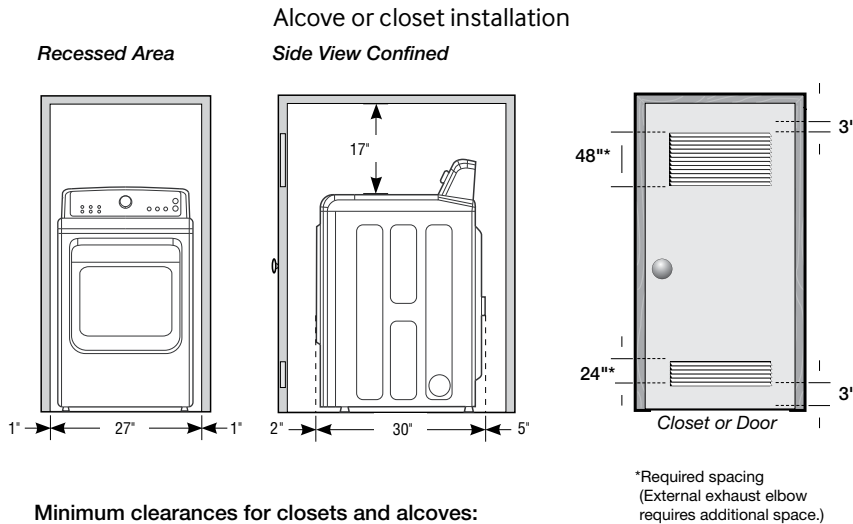
*Available for iPhone® 4/4S/5/5S/5C and Galaxy S1®/S2®/S3®/S4®/NOTE®/NOTE 2®/NOTE 3®/NOTE 4®/NOTE® Edge.

SAMSUNG

DV52J8060EW

Samsung Top-Load Electric Dryer

Installing Your Dryer



Minimum clearances for closets and alcoves:

Sides – 1"
Top – 17"
Rear – 5"
Closet Front – 2"

The closet front must have two unobstructed air openings for a combined minimum total area of 72" with 3" minimum clearance on the top and bottom. A louvered door with equivalent space clearance is acceptable.

7.4 cu. ft. Capacity

4-Way Venting

13 Preset Dry Cycles:

Steam Refresh, Multi-Steam™ Technology, Steam Wrinkle Away, Normal, Eco Normal, Heavy Duty, Permanent Press, Bedding, Delicates, Wool, Active Wear, Time Dry, Air Fluff, Quick Dry

12 Options:

Mixed Load Bell, Wrinkle Prevent, Rack Dry, Adjust Time (up), Adjust Time (down), My Cycle, Child Lock, Sound On/Off, Anti-Static, Eco Dry, Smart Care, Drum Light

5 Temperature Settings:

High, Medium, Medium Low, Low, Extra Low

5 Dry Levels:

Very Dry, More Dry, Normal Dry, Less Dry, Damp Dry

2 Signal Level Settings:

On/Off

Warranty

One (1) Year All Parts and Labor
One (1) Year Control Board

Product Dimensions & Weight (WxHxD)

Dimensions: 27" x 46" x 30"

Weight: 125.7 lbs

Shipping Dimensions & Weight (WxHxD)

Dimensions: 29 1/2" x 48 3/16" x 31 3/16"

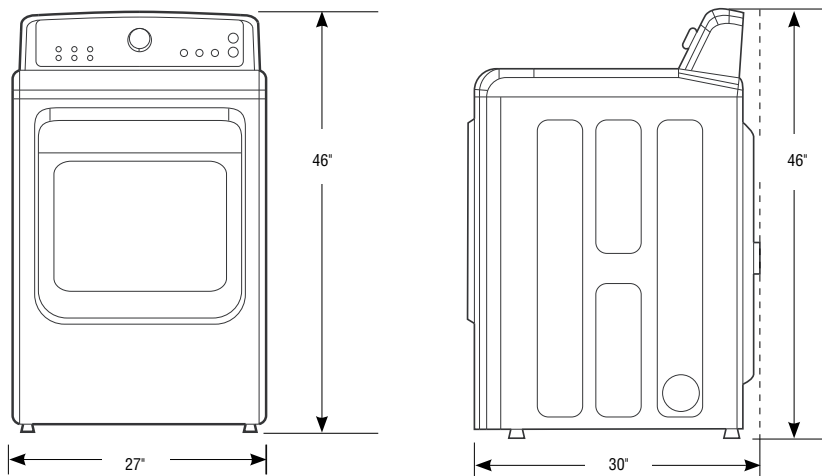
Weight: 139.0 lbs

Electric	Model #	UPC Code
White	DV52J8060EW	887276075433

Gas		
White	DV52J8060GW	887276075440

Matching Washer		
White	WA52J8060AW	887276074399

Dimensions



SAMSUNG

Actual color may vary. Design, specifications, and color availability are subject to change without notice. Non-metric weights and measurements are approximate.

The Emerging Technology award recognizes innovative products that have the potential to significantly reduce greenhouse gas emissions.

©2015 Samsung Electronics America, Inc. 85 Challenger Road, Ridgefield Park, NJ 07660. Tel: 800-SAMSUNG. samsung.com. Samsung is a registered trademark of Samsung Electronics Co. Ltd.