



Refrigerator

User manual

Free Standing Appliance

SAMSUNG

Contents

Safety information	4
Important safety symbols and precautions:	4
State of California Proposition 65 Warning (US only)	4
Critical installation warnings	5
Installation cautions	7
Critical usage warnings	7
Usage cautions	11
Cleaning cautions	12
Critical disposal warnings	13
1. Regulatory Notice	14
Installation	16
Your refrigerator at a glance	16
Door removal for entrance	18
Step-by-step installation	26
Operations	35
User interface	35
Samsung Smart Home	43
SMART GRID Function (Demand Response)	49
Special features	53
Maintenance	58
Handling and care	58
Cleaning	62
Replacement	63
Troubleshooting	66
General	66
Samsung Smart Home	69
Smart Grid	70
LCD	71

Warranty (USA)	72
WARRANTY ON SAMSUNG REFRIGERATOR	72
Warranty Information (CANADA)	75
If your refrigerator needs service	75
Limited Warranty for Original Purchaser	75
Obligation to the Original Owner	75
Exclusions of the Warranty	76
Open Source Announcement	77



Safety information

- Before using your new Samsung Refrigerator, please read this manual thoroughly to ensure that you know how to operate the features and functions that your new appliance offers safely and efficiently.
- This appliance is not intended for use by persons (including children) with reduced physical, sensory, or mental capabilities, or those who lack experience and knowledge, unless they have been given supervision or instruction concerning the use of the appliance by a person responsible for their safety.
- Because the following instructions cover various models, the characteristics of your refrigerator may differ slightly from the refrigerator described in this manual.
- If you have any question, contact us at 1-800-SAMSUNG or find help and information online at www.samsung.com.
- R-600a or R-134a is used as a refrigerant. Check the compressor label on the rear of the appliance or the rating label inside the fridge to see which refrigerant is used for your refrigerator. If this product contains flammable gas (Refrigerant R-600a), contact your local authority in regard to safe disposal of this product.
- It is hazardous for anyone other than an Authorized Service Person to service this appliance.

Important safety symbols and precautions:

Please follow all safety instructions in this manual. This manual uses the following safety symbols.

WARNING

Hazards or unsafe practices that may result in **severe personal injury, property damage, and/or death**.

CAUTION

Hazards or unsafe practices that may result in **severe personal injury and/or property damage**.

NOTE

Useful information that helps users understand or benefit from the refrigerator.

These warning signs are here to prevent injury to you and others.

Please follow them carefully.

After reading this section, keep it in a safe place for future reference.

State of California Proposition 65 Warning (US only)

WARNING : This product contains chemicals known to the State of California to cause cancer and birth defects or other reproductive harm.



Critical installation warnings

WARNING

- Do not install the refrigerator in a damp location or place where it may come in contact with water.
 - Deteriorated insulation on electrical parts may cause an electric shock or fire.
- Do not place this refrigerator in direct sunlight or expose it to the heat from stoves, room heaters, or other appliances.
- Do not plug several appliances into the same multiple power strip. The refrigerator should always be plugged into its own individual electrical outlet which has a voltage rating that matches the voltage listed on the refrigerator's rating plate.
 - This provides the best performance and also prevents overloading of house wiring circuits, which could overheat the wires and cause a fire hazard.
- If the wall socket is loose, do not insert the power plug.
 - There is a risk of electric shock or fire.
- Do not use a power cord that has cracks or abrasion damage along its length or at either end.
- Do not bend the power cord excessively or place heavy objects on it.
- Do not pull or excessively bend the power cord.
- Do not twist or tie the power cord.
- Do not hook the power cord over a metal object, place a heavy object on the power cord, insert the power cord between objects, or push the power cord into the space behind the appliance.
- When moving the refrigerator, be careful not to roll over or damage the power cord.
 - This may result in an electric shock or fire.
- Never unplug your refrigerator by pulling on the power cord. Always grip the plug firmly and pull straight out from the outlet.
 - Damage to the cord may cause a short-circuit, fire, and/or electric shock.
- Do not store explosive substances such as aerosol cans with a flammable propellant in this appliance.
- Do not install this appliance near a heater or flammable material.
- Do not install this appliance in a location where gas may leak.
 - This may result in an electric shock or fire.
- This refrigerator must be properly located and installed in accordance with the instructions in this manual before you use it.
- Connect the power plug in the proper position with the cord hanging down.
 - If you connect the power plug upside down, the wire can get cut off and cause a fire or electric shock.

Safety information

- Make sure that the power plug is not crushed or damaged by the back of the refrigerator.
- Keep the packing materials out of reach of children.
 - There is a risk of death from suffocation if a child puts the packing materials on his or her head.
- The appliance must be positioned so that the plug is accessible after installation.
 - Failing to do so may result in an electric shock or fire due to electric leakage.
- Do not install this appliance in a humid, oily or dusty location, or in a location exposed to direct sunlight or to water (rain drops).
 - Deteriorated insulation on electrical parts may cause an electric shock or fire.
- If large amounts of dust or water enter the refrigerator, disconnect the power plug and contact your Samsung Electronics service center.
 - Otherwise there is a risk of fire.
- Do not stand on top of the appliance or place objects (such as laundry, lighted candles, lighted cigarettes, dishes, chemicals, metal objects, etc.) on the appliance.
 - This may result in an electric shock, fire, problems with the product, or injury.
- You need to remove all the protective plastic film before you initially plug the product in.
- Children should be supervised to ensure that they do not play with the snap rings used for door adjustment or the water tube clips.
 - There is risk of death by suffocation if a child swallows a snap ring or water tube clip. Keep the snap rings and water tube clips out of children's reach.
- The refrigerator must be safely grounded.
 - Always make sure that you have grounded the refrigerator before attempting to investigate or repair any part of the appliance. Power leakages can cause severe electric shock.
- Never use gas pipes, telephone lines, or other potential lightning attractors as an electrical ground.
 - You must ground the refrigerator to prevent any power leakages or electric shocks caused by current leakage from the refrigerator.
 - This may result in an electric shock, fire, explosion, or problems with the product.
 - Improper use of the grounding plug can result in a risk of electric shock. If it is necessary to use an extension cord, use only a 3-wire extension cord that has a 3-blade grounding plug and a 3-slot receptacle that will accept the plug on the appliance. The marked rating of the extension cord should be AC 115-120 V, 10 A, or more. If a grounding adapter is used, make sure the receptacle box is fully grounded.

-
- Plug the power plug into the wall socket firmly. Do not use a damaged power plug, damaged power cord, or loose wall socket.
 - This may result in an electric shock or fire.
 - If the power cord is damaged, have it replaced immediately by the manufacturer or one of its service agents.
 - Only a qualified technician or service company should be allowed to change the fuse in the refrigerator.
 - Failing to do so may result in an electric shock or personal injury.

Installation cautions

CAUTION

- Allow sufficient space around the refrigerator and install it on a flat surface.
 - Keep the ventilation space in the appliance enclosure or mounting structure clear of obstructions.
- After you have installed the refrigerator and turned it on, allow the appliance to stand for 2 hours before loading it with food.
- We strongly recommend you have a qualified technician or service company install the refrigerator.
 - Failing to do so may result in an electric shock, fire, explosion, problems with the product, or injury.
- Overloading one door may make the refrigerator fall, causing physical injury.

Critical usage warnings

WARNING

- Do not insert the power plug into a wall socket with wet hands.
 - This may result in an electric shock.
- Do not store articles on the top of the appliance.
 - When you open or close the door, the articles may fall and cause personal injury and/or material damage.
- Do not insert hands, feet or metal objects (such as chopsticks, etc.) into the bottom or the back of the refrigerator.
 - This may result in an electric shock or injury.
 - Any sharp edges may cause a personal injury.



Safety information

- Do not touch the inside walls of the freezer or products stored in the freezer with wet hands.
 - This may cause frostbite.
- Do not put a container filled with water on the refrigerator.
 - If spilled, there is a risk of fire or electric shock.
- Do not keep volatile or flammable objects or substances (benzene, thinner, propane gas, alcohol, ether, LP gas, and other such products) in the refrigerator.
 - This refrigerator is for storing food only.
 - This may result in fire or explosion.
- Children should be supervised to ensure that they do not play with the appliance.
 - Keep fingers out of “pinch point” areas. Clearances between the doors and cabinet are necessarily small. Be careful when you open the doors if children are in the area.
- Do not let children hang on the door or door bins. A serious injury may occur.
- Do not let children go inside the refrigerator. They could become trapped.
- Do not insert your hands into the area under the appliance.
 - Any sharp edges may cause personal injury.
- Do not store pharmaceutical products, scientific materials, or temperature sensitive products in the refrigerator.
 - Products that require strict temperature controls must not be stored in the refrigerator.
- Do not place or use electrical appliances inside the refrigerator/freezer, unless they are of a type recommended by the manufacturer.
- If you smell smoke, pull out the power plug immediately, and then contact your Samsung Electronics service center.
- If large amounts of dust or water enter the refrigerator, disconnect the power plug and contact your Samsung Electronics service center.
 - Otherwise there is a risk of fire.
- Do not let children step on a drawer.
 - The drawer may break and cause them to slip.
- Do not leave the doors of the refrigerator open while the refrigerator is unattended and do not let children enter the refrigerator.
- Do not allow babies or children go into a drawer.
 - It can cause death from suffocation by entrapment or personal injury.
- Do not overfill the refrigerator with food.
 - When you open the door, an item may fall out and cause personal injury or material damage.
- Do not spray volatile material such as insecticide onto the surface of the appliance.
 - As well as being harmful to humans, it may also result in an electric shock, fire, or problems with the product.



- Never put fingers or any objects into the water dispenser outlet, ice chute, or ice maker bucket.
 - It may cause a personal injury or material damage.
- Do not use or place any substances sensitive to temperature such as flammable sprays, flammable objects, dry ice, medicine, or chemicals near or inside the refrigerator.
- Do not use a hair dryer to dry the inside of the refrigerator. Do not place a lighted candle in the refrigerator to remove bad odors.
 - This may result in an electric shock or fire.
- Fill the water tank, ice tray, and water cubes with potable water only (tap water, mineral water, or purified water).
 - Do not fill the tank with tea, juice, or a sports drink. They can damage the refrigerator.
- Do not stand on top of the appliance or place objects (such as laundry, lighted candles, lighted cigarettes, dishes, chemicals, metal objects, etc.) on the appliance. This may result in an electric shock, fire, problems with the product, or injury. Do not put a container filled with water on the appliance.
 - If spilled, there is a risk of fire or electric shock.
- Do not use mechanical devices or any other means to accelerate the defrosting process, other than those recommended by the manufacturer.
- Do not damage the refrigerant circuit.
- Never stare directly at the UV LED lamp for long periods of time.
 - This may result in eye strain due to the ultraviolet rays.
- Do not put a fridge shelf into the refrigerator upside down. The shelf stopper will not work.
 - The glass shelf could fall and cause personal injury.
- Keep fingers out of “pinch point” areas. Clearances between the doors and cabinet are necessarily small. Be careful when you open the doors if children are in the area.
- If a gas leak is detected, avoid any naked flames or potential sources of ignition, and air the room in which the appliance is standing for several minutes.
 - Do not touch the appliance or power cord.
 - Do not use a ventilating fan.
 - A spark may result in an explosion or fire.
- Use only the LED Lamps provided by the manufacturer or its service agents.
- Bottles should be stored tightly together so that they do not fall over or out.
- This product is intended only for the storage of food in a domestic environment.
- Never put fingers or any objects into the water dispenser outlet, ice chute, or ice maker bucket.
 - This can cause a personal injury or material damage.



Safety information

- Do not attempt to repair, disassemble, or modify the refrigerator yourself.
 - Unauthorized modifications can cause safety problems. To reverse an unauthorized modification, we will charge the full cost of parts and labor.
- Do not use any fuse (such as cooper, steel wire, etc.) other than a standard fuse.
- If your refrigerator needs to be repaired or reinstalled, contact your nearest service center.
 - Failing to do so may result in an electric shock, fire, problems with the product, or injury.
- If the interior or exterior LED lamp has gone out, contact your nearest Samsung service center.
- If the refrigerator emits a burning smell or smoke, unplug the refrigerator immediately and contact a Samsung service center.
 - Failing to do so may result in an electric or fire hazards.
- Pull the power plug out of the socket before changing the interior lamps of the refrigerator.
 - Otherwise, there is a risk of electric shock.
- If you experience difficulty changing a non-LED light, contact a Samsung service center.
- If the product is equipped with LED lamps, do not disassemble the Lamp Covers and LED lamps yourself.
 - Contact a Samsung service center.
- Plug the power plug into the wall socket firmly.
- Do not use a damaged power plug, damaged power cord, or loose wall socket.
 - This may result in an electric shock or fire.



Usage cautions

CAUTION

- Do not re-freeze frozen foods that have thawed completely. Do not place carbonated or fizzy drinks in the freezer compartment. Do not put bottles or glass containers in the freezer.
 - When the contents freeze, the glass may break and cause personal injury.
- Use only the ice maker provided with the refrigerator.
- To get the best performance from the product:
 - Do not place food too close to the vents at the rear of the refrigerator as this can obstruct free air circulation in the refrigerator compartment.
 - Wrap food up properly or place it in airtight containers before putting it into the refrigerator.
 - Do not put glass bottles or carbonated beverages into the freezer. They can freeze and break. Broken beverage containers can cause injury.
 - Please observe maximum storage times and expiration dates of frozen goods.
- Do not put glass containers or bottles or carbonated beverages into the freezer.
 - The container may freeze and break, and this may result in injury.
- Service Warranty and Modification.
 - Any changes or modifications performed by a 3rd party on this finished appliance are not covered under Samsung warranty service, nor is Samsung responsible for safety issues that result from 3rd party modifications.
- Do not block the air vents inside the refrigerator.
 - If the air vents are blocked, especially with a plastic bag, the refrigerator can be over cooled. If a cooling period lasts too long, the water filter may break and cause water leakage.
- If the refrigerator is disconnected from the power supply, you should wait for at least five minutes before plugging it back in.
- If large amounts of water enter the refrigerator, pull out the power plug and contact a Samsung service center.
- Do not strike or apply excessive force to any glass surface.
 - Broken glass may result in a personal injury and/or property damage.
- Fill the water tank and ice cube trays with potable water only (tap water, mineral water, or purified water).
 - Do not fill the tank with tea, juice, or a sports drink. They can damage the refrigerator.
- If the refrigerator is flooded, shut off the power to the refrigerator and contact your nearest Samsung service center.
 - There is a risk of electric shock or fire.

Safety information

Cleaning cautions

CAUTION

- Do not spray water directly on the inside or outside the refrigerator.
 - There is a risk of fire or electric shock.
- Do not use a hair dryer to dry the inside of the refrigerator.
- Do not place a lighted candle in the refrigerator to remove bad odors.
 - This may result in an electric shock or fire.
- Do not spray cleaning products directly on the display.
 - Printed letters on the display may come off.
- If any foreign substance such as water has entered the appliance, unplug the power plug and contact your nearest service center.
 - Failing to do so may result in an electric shock or fire.
- Use a clean, dry cloth to remove any foreign matter or dust from the power plug blades. Do not use a wet or damp cloth when cleaning the plug.
 - Otherwise, there is a risk of fire or electric shock.
- Do not clean the appliance by spraying water directly onto it.
- Do not use benzene, thinner, or Clorox (bleach) to clean the refrigerator.
 - They may damage the surface of the appliance and may cause a fire.
- Never put fingers or any objects into the dispenser outlet.
 - This can cause a personal injury or material damage.
- Before cleaning or performing maintenance, unplug the appliance from the wall socket.
 - Failing to do so may result in an electric shock or fire.

Critical disposal warnings

WARNING

- **DANGER** : Risk of child entrapment. Before you throw away your old refrigerator or freezer:
 - Take off the doors and door latch.
 - Leave the shelves in place so that children cannot easily climb inside.
 - Children trapped inside a refrigerator can hurt themselves or suffocate to death.
- Please dispose of the packaging material from this product in an environmentally friendly manner.
- Ensure that none of the pipes on the back of the refrigerator are damaged prior to disposal.
- R-600a or R-134a is used as a refrigerant. Check the compressor label on the rear of the appliance or the rating label inside the fridge to see which refrigerant is used for your refrigerator. If this refrigerator contains flammable gas (Refrigerant R-600a), contact your local authority in regard to the safe disposal of this product.
- When disposing of this refrigerator, remove the door/door seals and door latch so that small children or animals cannot become trapped inside. Children should be supervised to ensure that they do not play with the appliance.
 - If trapped inside, the child could be injured or suffocate to death.
- Cyclopentane is used in the insulation. The gases in the insulation material require a special disposal procedure. Please contact your local authorities in regard to the environmentally safe disposal of this product.
- Keep all packaging materials well out of the reach of children, as packaging materials can be dangerous to children.
 - If a child places a bag over his or her head, the child could suffocate.

Safety information

1. Regulatory Notice

1.1 FCC Notice

FCC CAUTION:

Any changes or modifications not expressly approved by the party responsible for compliance could void the user's authority to operate the equipment.

Contains Transmitter Module FCC ID: A3LWIDT30Q, A3LWIBT30D

This device complies with Part 15 of FCC Rules. Operation is Subject to the following two conditions:

- (1) This device may not cause harmful interference, and
- (2) This device must accept any interference received including interference that cause undesired operation.

For products available in the US and Canadian markets, only channels 1~11 are available. You cannot select other channels.

FCC STATEMENT:

This equipment has been tested and found to comply within the limits for a Class B digital device, pursuant to part 15 of the FCC Rules. These limits are designed to provide reasonable protection against harmful interference in a residential installation.

This equipment generates, uses, and can radiate radio frequency energy and, if not installed and used in accordance with the instructions, may cause harmful interference to radio communications. However, there is no guarantee that interference will not occur in a particular installation. If this equipment does cause harmful interference to radio or television reception, which can be determined by turning the equipment off and on, the user is encouraged to try to correct the interference by one or more of the following measures:

- Reorient or relocate the receiving antenna
- Increase the separation between the equipment and receiver
- Connect the equipment to an outlet that is on a different circuit than the receiver.
- Consult the dealer or an experienced radio/TV technician for help.

FCC RADIATION EXPOSURE STATEMENT:

This equipment complies with FCC radiation exposure limits set forth for an uncontrolled environment.

This equipment should be installed and operated so there is at least 8 inches (20 cm) between the radiator and your body. This device and its antennas must not be co-located or operated in conjunction with any other antenna or transmitter except in accordance with FCC multi-transmitter product procedures.

1.2 IC Notice

Contains Transmitter Module IC: 649E-WIDT30Q, 649E-WIBT30D

The term “IC” before the radio certification number only signifies that Industry Canada technical specifications were met. Operation is subject to the following two conditions : (1) this device may not cause interference, and (2) this device must accept any interference, including interference that may cause undesired operation of the device.

This Class B digital apparatus complies with Canadian ICES-003.

Cet appareil numérique de la classe B est conforme à la norme NMB-003 du Canada.

For products available in the US and Canadian markets, only channels 1~11 are available. You cannot select other channels.

IC RADIATION EXPOSURE STATEMENT:

This equipment complies with IC RSS-102 radiation exposure limits set forth for an uncontrolled environment. This equipment should be installed and operated so there is at least 8 inches (20 cm) between the radiator and your body. This device and it's antennas must not be co-located or operated in conjunction with any other antenna or transmitter except in accordance with FCC multi-transmitter product procedures.

SAVE THESE INSTRUCTIONS

Installation

Follow these instructions carefully to prevent accidents and to ensure the proper installation of this refrigerator.

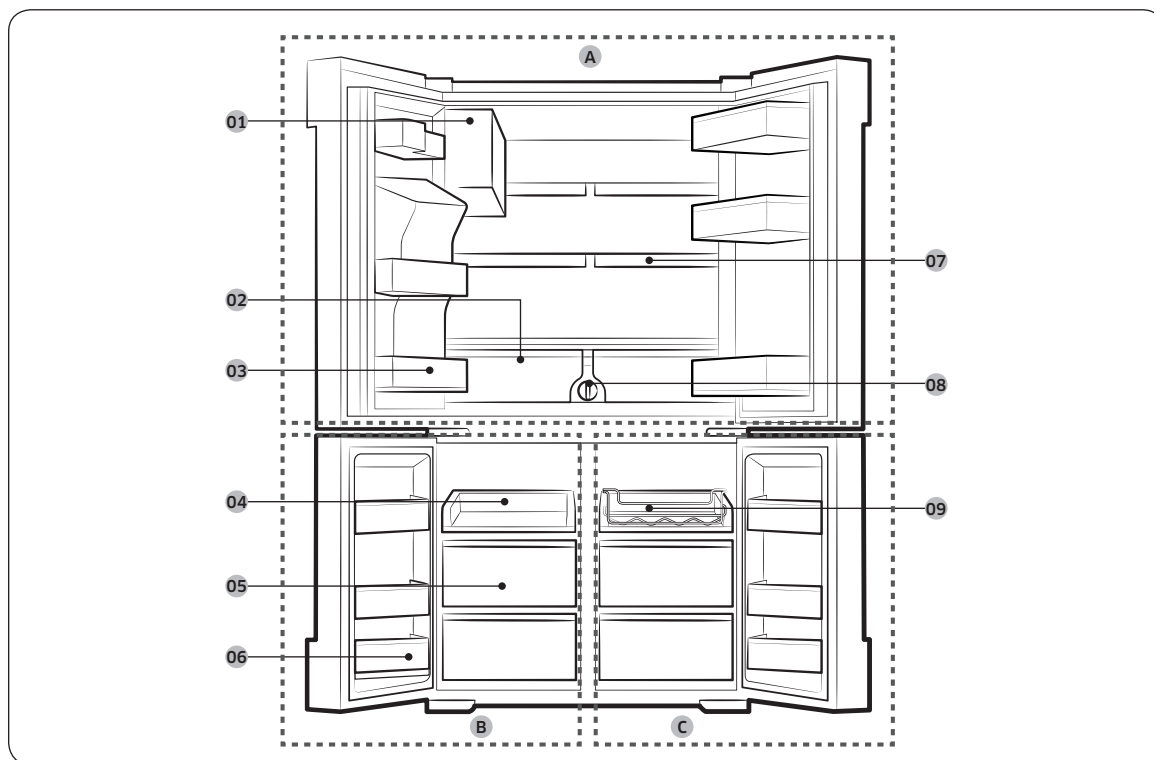
WARNING

- Use the refrigerator only for its intended purpose as described in this manual.
- Any servicing must be performed by a qualified technician.
- Dispose of the product packaging material in compliance with the local regulations.
- To prevent electric shock, unplug the power cord before servicing.

Your refrigerator at a glance

NOTE

The images of parts in this manual and the actual provided component parts of the refrigerator may differ, depending on the model and your country.



-
- | | |
|--|--------------------|
| 01 Auto Ice Maker (Ice Master) | A. Fridge |
| 02 EZ Fresh Vegetable & Fruit Drawers | B. Freezer |
| 03 Fridge Multi-Purpose Guard | C. FlexZone |
| 04 Easy Slide-Shelf | |
| 05 Dry Food and Meat Storage Drawers | |
| 06 Freezer door Bins | |
| 07 Quick Space Shelf | |
| 08 Water filter | |
| 09 Wine Rack | |

* applicable models only

 **NOTE**

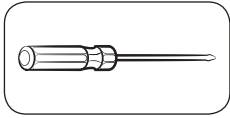
- For energy efficiency, keep all shelves, drawers, and baskets in their original positions.
- When closing the door, make sure the vertical hinged section is in the correct position to avoid scratching the other door.
- If the vertical hinged section is reversed, put it back into the correct position, and then close the door.
- Moisture may form at times on the vertical hinged section.
- If you close a door by force, the other door may open.
- When the door opens, the interlock switch automatically disables the auger motor of the ice maker for safety reasons.
- If the internal or external LED lamp is out of order, contact a local Samsung service center.

Installation

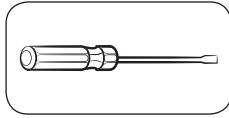
Door removal for entrance

If the refrigerator cannot pass through the entrance to your home or kitchen due to its size, follow these instructions to remove and then re-install the refrigerator's doors. If you do not need to remove the doors, go to page 26 for the installation instructions.

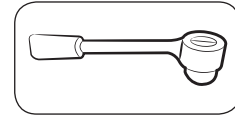
Tools required (not provided)



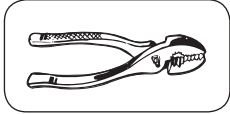
Philips screwdriver



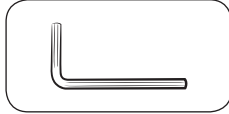
Flat-head screwdriver



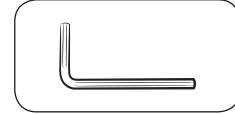
Socket wrench (10 mm)



Pliers

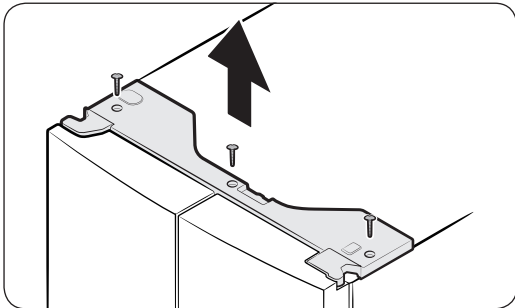


Allen wrench (4 mm)

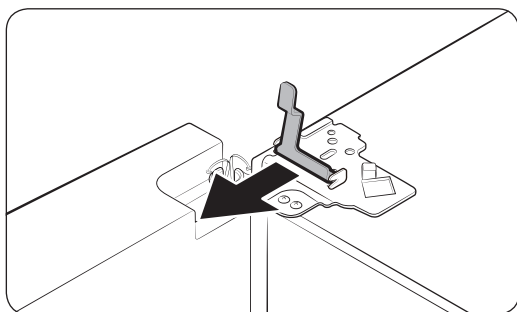
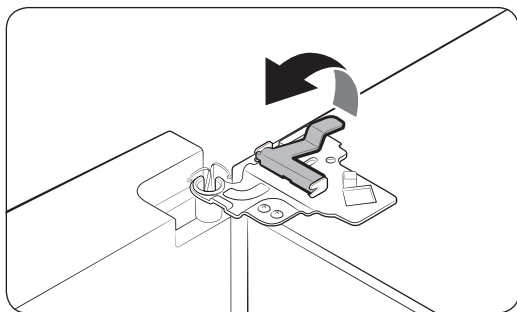
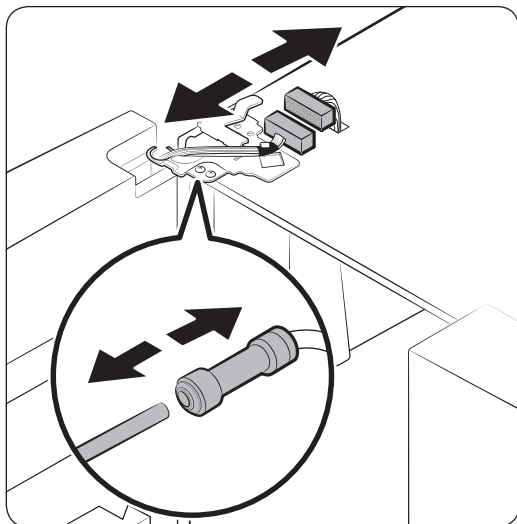


Allen wrench (5 mm)

Detaching the fridge doors



1. With the door closed, use a Philips screwdriver to remove the screws (x3) from the top cover. Pull up and remove the top cover with the connectors.



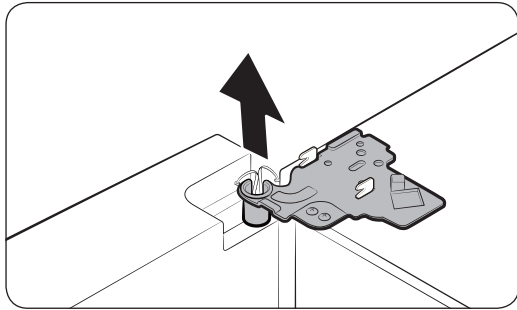
2. Disconnect the two wire connectors on the left door. The position of the connectors differs with the model.

! CAUTION

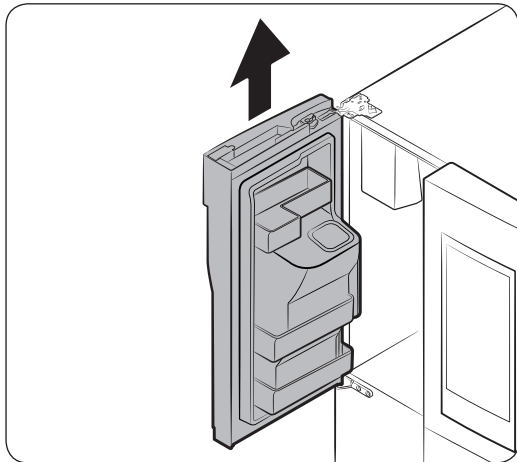
- Do not remove both doors simultaneously. Make sure to remove one door at a time. Otherwise, any of the doors may fall and cause physical injury.
 - Make sure the refrigerator is off before disconnecting the connectors.
3. Disconnect the water tube from the coupler on the left door as shown.
 4. Gently draw up the clamp in several steps. To prevent finger injuries, do not apply a sudden force to the clamp.

5. Pull up the clamp to remove.

Installation



6. Open the door 90 degrees. While holding the door, pull up and remove the top hinge. Be careful not to damage the connector wires when you remove the hinge.

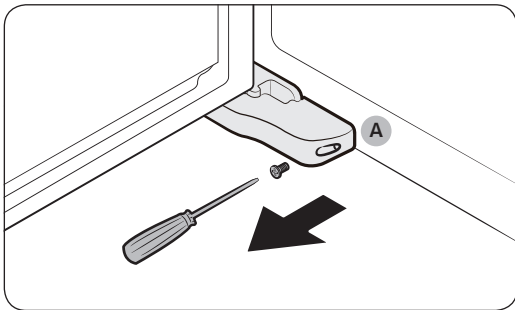


7. Gently pull up the door vertically to remove. Do not apply excessive force to the door. The door may fall, causing physical injury.
8. Lay the door down on a flat surface.
9. Repeat the steps above for the other door, except for Step 3. There is no water tube on the right side door.

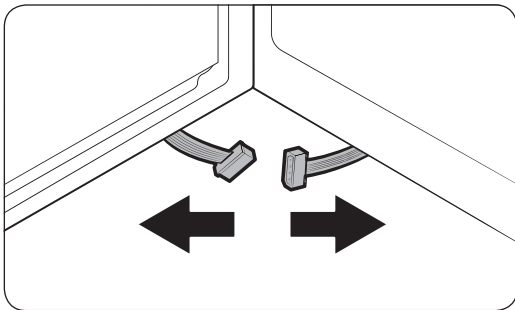
Detaching the freezer doors

⚠ CAUTION

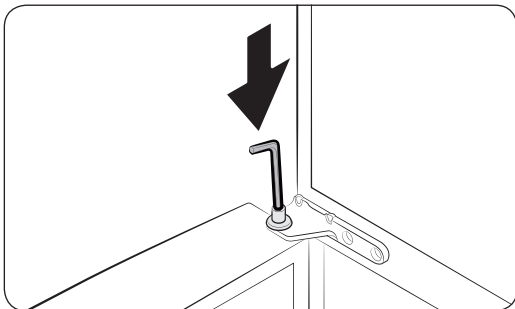
- Be sure to remove the fridge doors before removing the freezer doors.
- Use caution when disconnecting the bottom connectors.



1. With the freezer door open, use a Philips screwdriver to remove the screw holding the **cover (A)** of the adjustable leg.

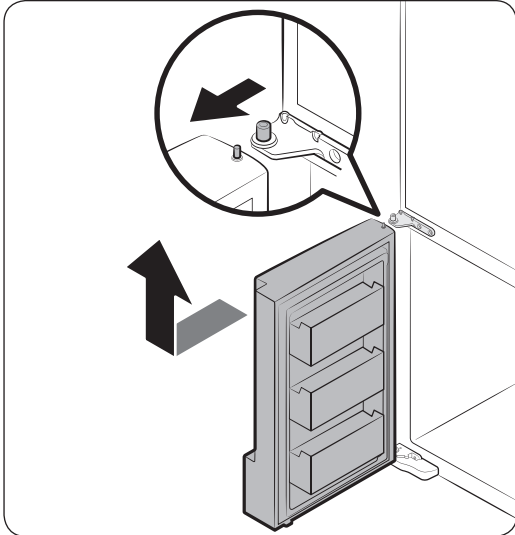


2. Disconnect the wire connectors.



3. Locate the hinge shaft. While holding the door with one hand, use a flat-head screwdriver or wrench to press the shaft down. Make sure to hold the door to prevent the door from falling.

Installation

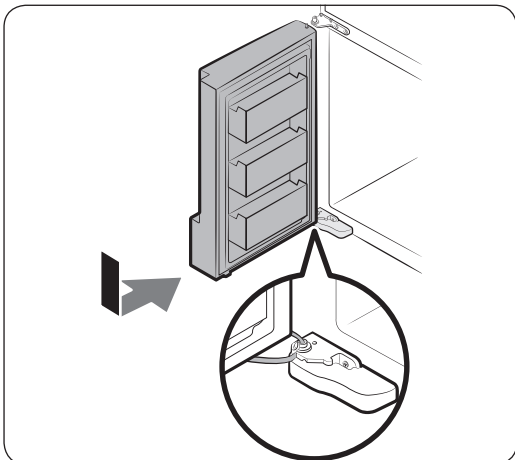


4. To prevent contact with the middle hinge, slightly tilt the door to the front, and then lift it up to remove.
5. Repeat the steps above for the other door.

Re-attaching the freezer doors

CAUTION

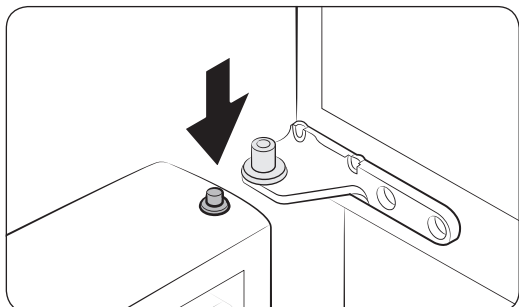
- Before re-attaching the doors, make sure all the electrical connectors are properly connected.
- The freezer doors must be re-attached before the fridge doors.
- Be careful not to damage or step on the wires during this process.



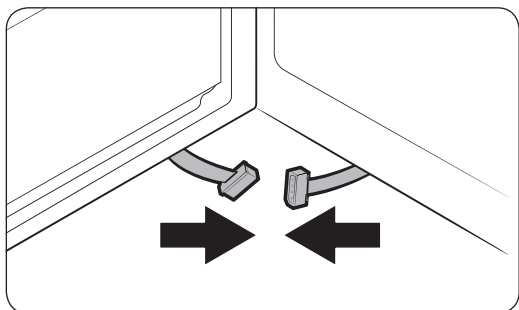
1. Insert the freezer door into the bottom hinge while pushing the freezer door in the direction of the arrow.

CAUTION

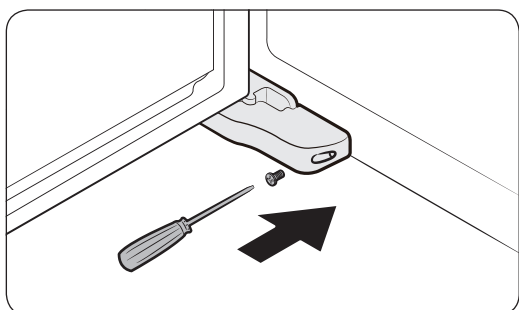
- Be careful not to damage or step on the wires during this process.



2. While pressing the hinge shaft down, position the door so that the hinge shaft is below the shaft hole in the middle hinge. Release the hinge shaft so that it enters the shaft hole.



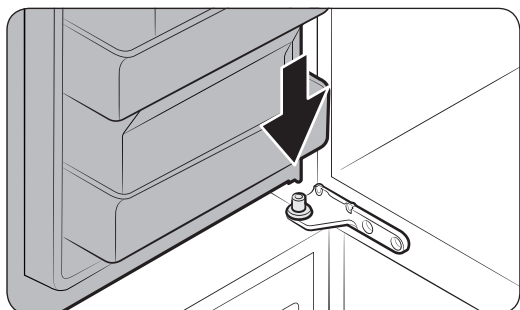
3. With the door open, connect the bottom connectors in the direction of the arrows.



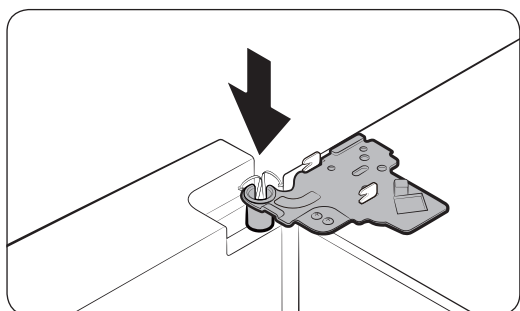
4. Attach the levelling foot cover using a Philips screwdriver. Be careful not to damage or step on the connectors.
5. Repeat the steps above for the other door.

Installation

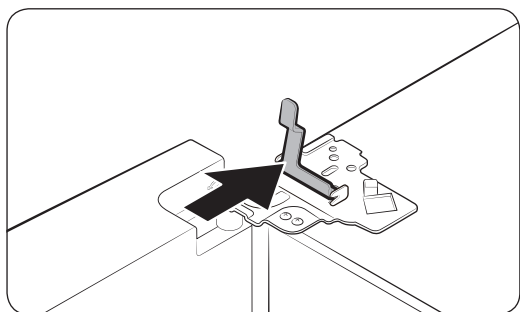
Re-attaching the fridge doors



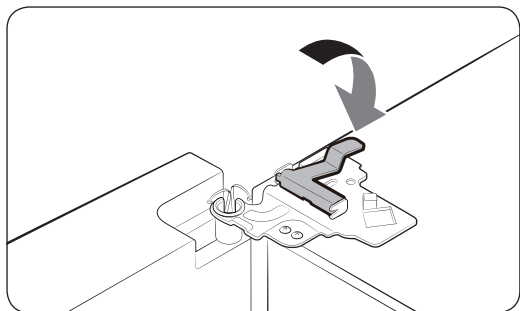
1. While holding the door open by more than 90 degrees, insert the shaft on the middle hinge into the hole on the bottom of the door.



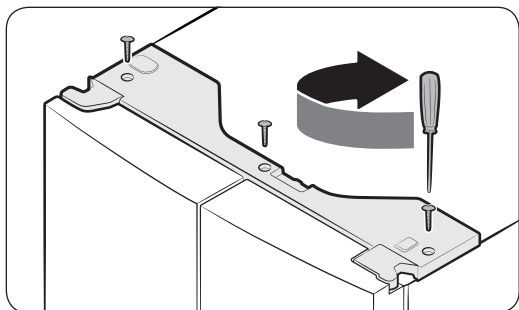
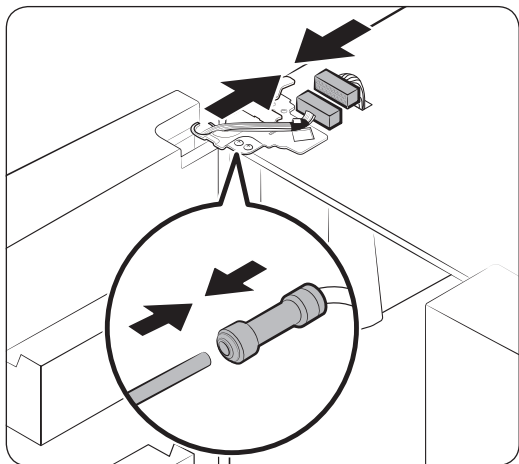
2. Put the top hinge into position on the top of the refrigerator, and then insert the hinge shaft into the top hole of the door. Make sure the wires from the door pass through the hole in the hinge shaft.



3. Insert the clamp in the direction of the arrow.



4. Push back the clamp as shown.



5. Connect the wire connectors.

⚠ CAUTION

- Make sure the wire connectors are connected properly. Otherwise, the display will not operate.

6. Connect the water tube.

⚠ CAUTION

- To prevent water leaks, make sure the red clips tighten the coupler properly.
- Keep the clips out of children's reach.

7. Repeat the above steps for the other door, except for Step 6. The right door does not have a water tube.

8. Attach the top cover with the front side first, and then press down on its back to get it into position. Then, tighten the screws (x3).

Installation

Step-by-step installation

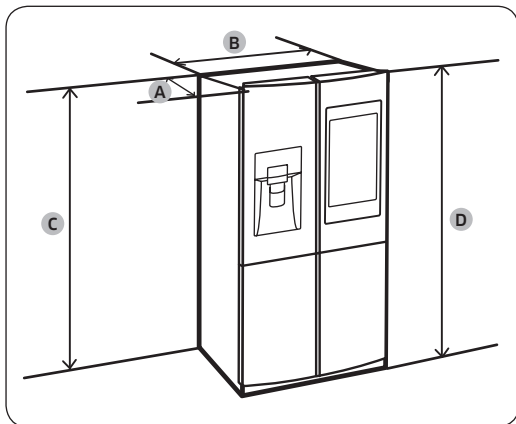
STEP 1 Select a site

The site must:

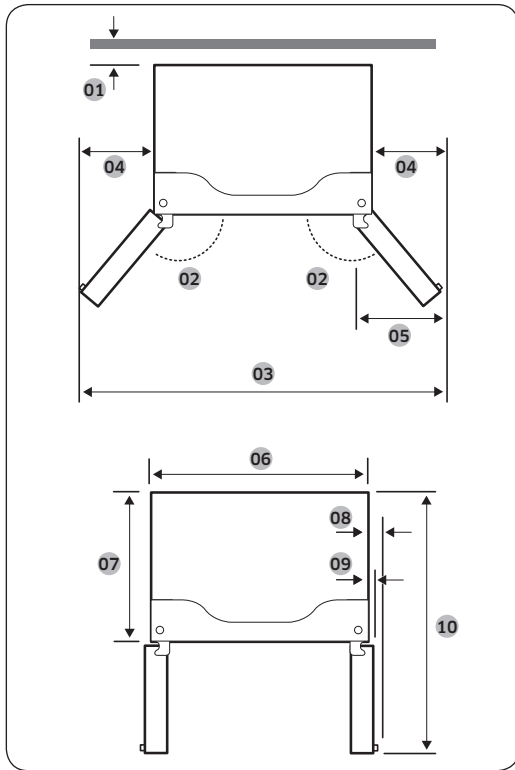
- Have a solid level surface without carpeting or flooring that may obstruct ventilation
- Be out of direct sunlight
- Have adequate room for opening and closing the door
- Be away from any heat source
- Provide room for maintenance and servicing
- Have a temperature range between 50 °F (10 °C) and 110 °F (43 °C)

Clearance

See the pictures and table below and on the next page for installation space requirements.



Model	RF22K*	RF28K*
Depth "A"	28 ⁷ / ₈ " (733 mm)	34 ¹ / ₄ " (871 mm)
Width "B"	35 ³ / ₄ " (908 mm)	35 ³ / ₄ " (908 mm)
Height "C"	70 ³ / ₄ " (1797 mm)	70 ³ / ₄ " (1797 mm)
Overall Height "D"	71 ⁷ / ₈ " (1825 mm)	71 ⁷ / ₈ " (1825 mm)



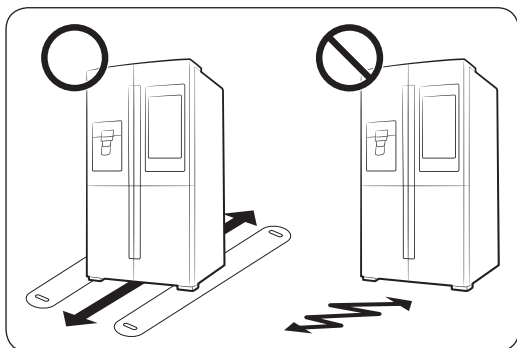
	RF22K*	RF28K*
01	2" (50 mm)	2" (50 mm)
02	125°	125°
03	59 5/8" (1515 mm)	59 5/8" (1515 mm)
04	11 7/8" (303 mm)	11 7/8" (303 mm)
05	12" (305 mm)	12" (305 mm)
06	35 3/4" (908 mm)	35 3/4" (908 mm)
07	24" (610 mm)	29 3/8" (748 mm)
08	2 3/4" (70 mm)	2 3/4" (70 mm)
09	1 3/4" (43 mm)	1 3/4" (43 mm)
10	42 5/8" (1083 mm)	48 1/8" (1221 mm)

NOTE

The measurements of your refrigerator may differ from those listed above, depending on the measuring method.

Installation

STEP 2 Flooring



- The surface of the installation location must support a fully loaded refrigerator.
- To protect the floor, put a large piece of cardboard under each leg of the refrigerator when you move it for installation.
- To protect the floor once the refrigerator is in its final position, do not move it unless necessary. If you have to move it, place thick paper or cloth such as an old carpet, along the movement path.

NOTE

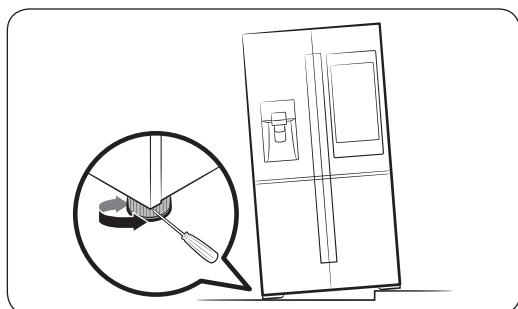
If the refrigerator cannot pass through entrance to your home or kitchen due to its size, see **Door removal for entrance** on page 18.

STEP 3 Adjust the levelling feet

CAUTION

- When installed, the refrigerator must be level on a flat, solid floor. Not leveling the refrigerator can cause damage to the refrigerator or physical injury.
- Levelling must be performed with the refrigerator empty. Make sure no food items are inside the refrigerator.
- For safety reasons, adjust the front side a little higher than the rear side.

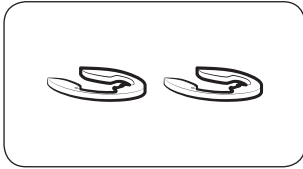
You can level the refrigerator using the front legs. The front legs have a special screw (leveller) for levelling purposes. Use a flat-head screwdriver for levelling.



- To adjust the height of the left side: Insert a flat-head screwdriver into the leveller of the left side front leg. Turn the leveller clockwise to raise, or turn it counter clockwise to lower.
- To adjust the height of the right side: Insert a flat-head screwdriver into the leveller of the right side front leg. Turn the leveller clockwise to raise, or turn it counter clockwise to lower.

Installation

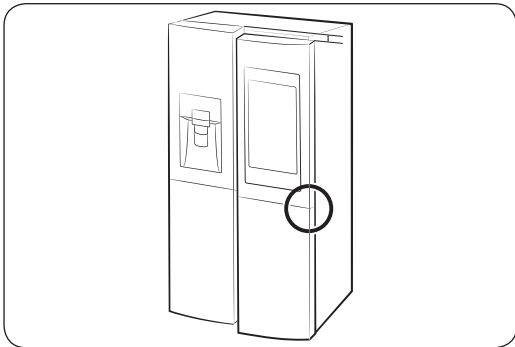
STEP 4 Adjust the door height as well as the door gap



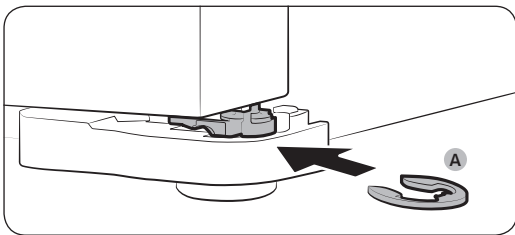
Snap ring

The height of a door can be adjusted using the provided snap rings, which come in 4 different sizes (1 mm, 1.5 mm, 2 mm, and 2.5 mm).

To adjust the height of a door



1. Check the height difference between the doors, and then raise and hold the lower door.

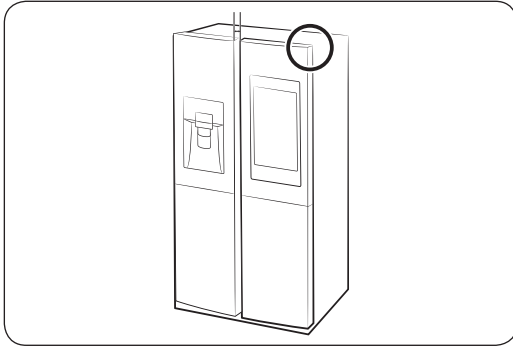


2. Insert a suitable-sized snap ring (A) between the door and the hinge as shown.

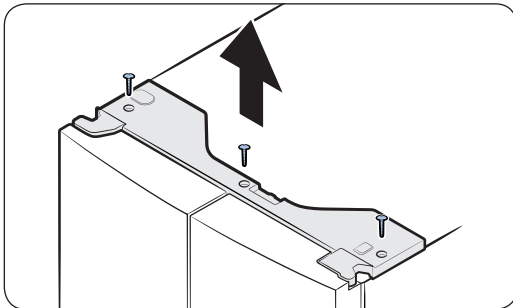
⚠ CAUTION

- Insert only one snap ring for this purpose. If you insert two or more snap rings, the rings may slip out or make a rubbing noise.
- Keep the snap rings out of children's reach, and keep them for future use.
- Do not raise the door too much. The door can contact and damage the top cover.

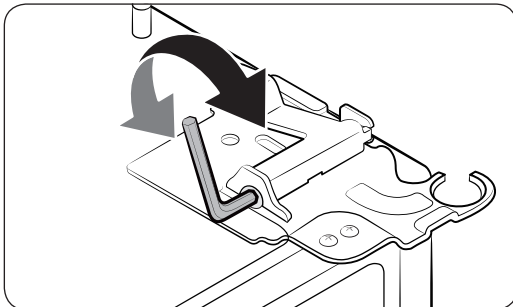
To correct the door gap



Door gaps can be corrected using the gap bolt on the top right corner of the refrigerator.



1. With the door closed, use a **Philips screwdriver** to remove 6 screws on the top cover with the wire connectors.



2. Use a 4 mm **Allen wrench** (not provided) to correct the door gap between two doors.
 - To widen the gap, turn the gap bolt clockwise.
 - To narrow the gap, turn the gap bolt counterclockwise.
3. When done, reinsert the top cover.

⚠ CAUTION

The electrical connectors must be left intact during this process. Use caution so you don't tangle the connector wires or peel off the coating.

Installation

STEP 5 Connect the water dispenser line

A water dispenser with a filter is one of the helpful features on your new refrigerator. To help promote better health, the water filter removes unwanted particles from your water. However, it does not sterilize or destroy microorganisms. You may need to purchase a water purifying system to do that.

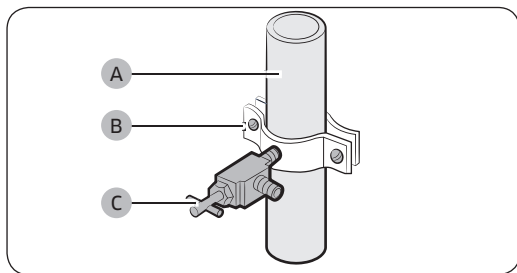
The water line also connects to the ice maker. For the ice maker to operate properly, a water pressure of 20-125 psi is required.

If the refrigerator is installed in an area with low water pressure (below 20 psi), you can install a booster pump to compensate for the low pressure.

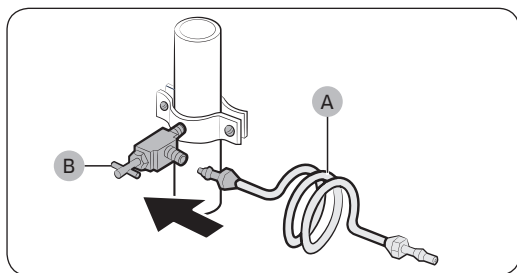
After you have connected the water line, make sure the water storage tank inside the refrigerator is properly filled. To do this, press the water dispenser lever until the water runs from the water outlet.

NOTE

- Water line installation kits are available at extra cost from your retailer. We recommend using a water line installation kit that contains copper tubing and a 6 mm (1/4") compression nut.
- Use the new hose-sets supplied with the appliance only. Do not re-use an old hose set.



1. Shut off the main water source.
2. Insert the pipe clamp (B) and the shut off valve (C) into the cold water line (A).

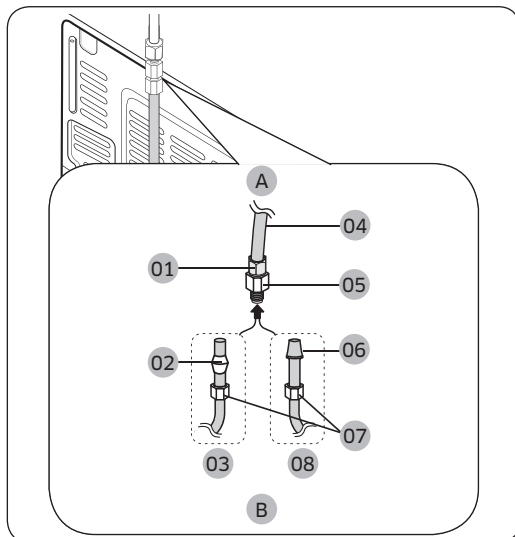


3. Connect the water line installation kit (A) to the shut off valve (B).

Connect the water supply line to the refrigerator

There are several items you must purchase to complete this connection. You may find these items sold as a kit at your local hardware store.

Copper Tubing	<ul style="list-style-type: none">• 1/4" copper tubing• 1/4" compression nut (1 pc)• Ferrule (2 pc)
Plastic Tubing	<ul style="list-style-type: none">• 1/4" plastic tubing → Molded end (Bulb)• 1/4" compression nut (1pc)



- A. Refrigerator
- B. Household water supply line
- 01 Compression Nut (1/4") (Assembled)
- 02 Ferrule (Not supplied)
- 03 Copper tubing (Not supplied)
- 04 Plastic Tubing (Assembled)
- 05 Compression Fitting (Assembled)
- 06 Molded end (Bulb)
- 07 Compression nut (B) (1/4") (Not supplied)
- 08 Plastic Tubing (A) (Not supplied)

1. Connect the household water line to the assembled compression fitting.
 - If you are using copper tubing, slip the **compression nut (B)** (not supplied) and **ferrule** (not supplied) on the copper tubing (not supplied) as shown.
 - If you are using plastic tubing (A), insert the molded end (Bulb) of the plastic tubing (A) into the compression fitting.

CAUTION

If you use plastic tubing, (A) do not use it without the molded end (Bulb).

2. Tighten the **compression nut (B)** onto the **compression fitting**. Do not over-tighten the **compression nut (B)**.
3. Turn the water on and check for any leakage. If you find water drops or leakage in the connection areas, turn off the main water supply. Check the connections and, if necessary, tighten.

Installation

4. Flush 1 gallon of water through the filter before drinking or using the water from the refrigerator. (Flush approximately 6 minutes.) To flush, press a large glass or cup against the water dispenser lever. Fill the glass, empty it, and then repeat.
5. After you turn on the refrigerator, let the ice maker make ice for 1 to 2 days. Over that period of time, throw out the first 1 or 2 buckets of ice the ice maker makes to ensure all impurities have been removed from the water line.

NOTE

Only connect the water line to a potable water source.

- If you have to repair or disassemble the water line, cut off $\frac{1}{4}$ " of the plastic tubing to make sure you get a snug, leak-free connection.
- You can test the water line quickly using a paper cup. Under normal conditions, the water dispenser can fill a 5 $\frac{3}{4}$ oz. (170 cc) cup in about 10 seconds.

STEP 6 Initial settings

After you complete the following steps, the refrigerator should be fully functional.

1. Plug the power cord into the wall socket to turn the refrigerator on.
2. Open the door, and check if the interior light lights up.
3. Set the temperature to the coldest setting, and then wait for about an hour. Then, the freezer will be slightly chilled, and the motor should be running smoothly.
4. Wait until the refrigerator reaches the set temperature. Now the refrigerator is ready to use.

STEP 7 Final check

When installation is complete, confirm that:

- The refrigerator is plugged into an electrical outlet and grounded properly.
- The refrigerator is installed on a flat, level surface with appropriate clearance between it and any walls or cabinets.
- The refrigerator is level and is sitting firmly on the floor.
- The door opens and closes freely, and the interior light turns on automatically when you open the door.

Operations

User interface

NOTE

- For detailed information about the refrigerator's functions, and apps, see the on-screen user manual available on the LCD display of your refrigerator.
- The content of apps and widgets, or their design is subject to change. Support for apps and widgets may be discontinued without notice, depending on the content provider's policy.
- Underage transactions with the services must be supervised by adults.

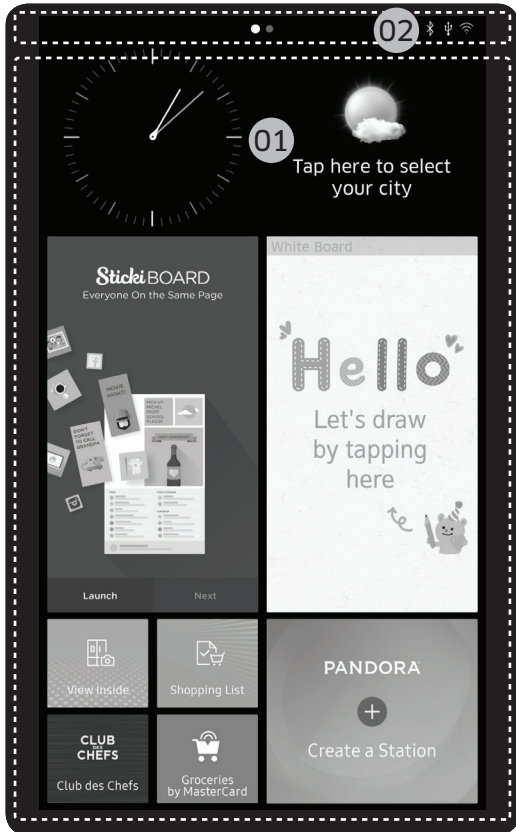


01 Home screen

02 Task bar

Operations

01 Home screen



01 Apps & Widgets

- Tap a desired app or widget to launch it.
- Tap and hold an app or widget to enter Edit mode. A grid appears. In Edit mode, you can drag and drop an app or widget to a new position on the grid. When you move the app or widget to a new grid location, the location turns blue if it is available. If it is not available, it turns red.

02 Status bar

- **Bluetooth** (Bluetooth icon): Indicates Bluetooth connection status.
- **USB** (USB icon): Indicates USB connection status.

NOTE

The refrigerator supports USB memory that is formatted in FAT32 or exFAT file system. NTFS is not supported. Be sure to convert NTFS to FAT32 or exFAT before use.

- **Network** (Network icon): Indicates network connection status in 5 levels (Off, 1-4).

02 Task bar

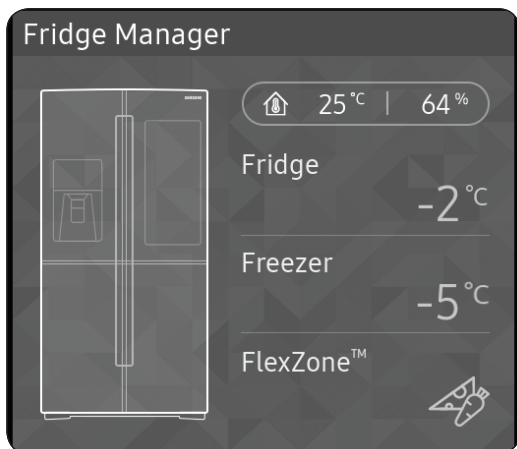


01 Microphone	Tap to turn on or off the voice recognition function. The microphone icon turns red when it is turned off.
02 Menu	Tap to display the menus available.
03 Home	<ul style="list-style-type: none">• Tap to open the Home screen.• Tap and hold to open the Task Manager. See the Task Manager section for details.
04 Return	Tap to return to the previous screen.
05 Notification	Tap to display the Quick Panel.

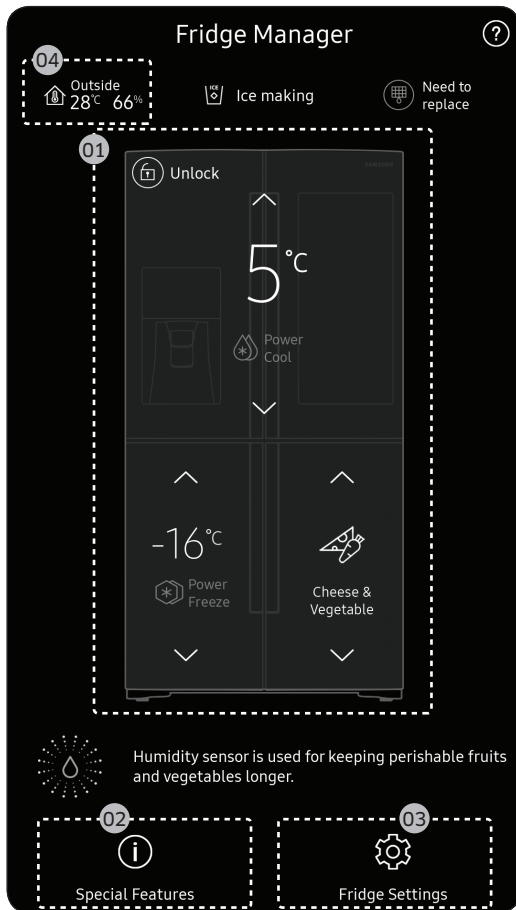
Operations

Fridge Manager

To access Fridge Manager, swipe the Home screen to the left, and then tap the **FRIDGE MANAGER** widget.



- On the Fridge Manager widget, the current fridge and freezer temperatures as well as active special functions are displayed.
- For detailed settings, tap the widget to open the Fridge Manager.



The Fridge Manager is a graphical representation of your refrigerator. The top half represents the refrigerator compartment, the bottom left the freezer compartment, and the bottom right the FlexZone. The temperature or mode settings for each are displayed over each section.

Fridge Manager At a Glance

01 Temperature

Change the set temperature in the fridge, freezer, and FlexZone. You can also turn on and turn off the refrigerator's Power Cool function and the freezer's Power Freeze function.

- Power Freeze speeds up the freezing process at maximum fan speed. The freezer keeps running at full speed for several hours and then returns to the previous temperature.
- To freeze large amounts of food, activate Power Freeze for at least 20 hours before putting food in the freezer.

NOTE

Using Power Freeze increases power consumption. Make sure you turn it off to return to the previous temperature if you do not intend to use it.

02 Special Features

View a short explanation of some of the refrigerator's special features.

03 Fridge Settings

Change many of the fridge's settings including settings for ice making, the door alarm, and the temperature units (°F or °C). See the next page for details.

04 External Conditions

Displays the external (ambient) temperature and humidity.


NOTE

The displayed conditions may differ from the actual temperature and humidity.

Operations

NOTE

Also displayed is the **Ice Off** (ice making off) indicator at the top, center. When the indicator displays **Ice Off**, the refrigerator's ice maker is turned off.

Ice Making	Turns the icemaker on and off. Tap and drag the button to turn on or off. Note that if the ice bucket is full of ice, the refrigerator does not start making ice at the press of this button (turning the Ice Maker on), but displays the Ice Making Off indicator on the main screen.
Dispenser Lock	Turns the ice and water dispensers on and off. Tap and drag the button to turn on or off.
Door Alarm	The door alarm sounds if you leave the door open. Tap and drag the button to turn on or off.
Temp. Unit	Switch the temperature scale between Celsius and Fahrenheit. Touch °F or °C to change the scale.
Water Filter	Provides a water filter replacement tutorial and lets you reset the water filter replacement indicator. Tap to open.  NOTE After installing the water filter for the first time, tap Water Filter , and then tap RESET . Tapping RESET initializes the time remaining until the water filter needs to be replaced.
Self Check	Self Check is a self diagnoses function. Tap to open. Tap START to run.
Demand Response	Works with the Smart Grid energy saving manager. Tap to open. Tap and drag the button to turn on or off. See the Smart Grid section in this manual for more information.
Cooling Off	Cooling Off mode (also called Shop mode), is designed for use by retailers when they are displaying refrigerators on the shop floor. In Cooling Off mode, the refrigerator's fan motor and lights work normally, but the compressors do not run, and the refrigerator and freezer do not get cold. If Cooling Off is turned on, all cooling controls will turn to OFF on the Fridge Manager. Tap and drag the button to turn on or off.

Settings

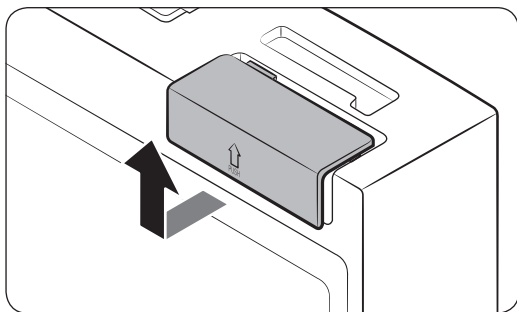
Display	<ul style="list-style-type: none">You can adjust the screen brightness, screen automatic wake-up, and screen saver including the theme and duration.
Volume	<ul style="list-style-type: none">Adjust the volume, and turn on or off the key tone and keyboard feedback.
Wi-Fi	<ul style="list-style-type: none">Turn on or off a Wi-Fi connection. The current Wi-Fi network is listed first in the access point (AP) list.To add an AP, press Menu on the task bar, and then add the AP with Wi-Fi turned on.
Bluetooth	<ul style="list-style-type: none">Up to 4 recently paired Bluetooth devices are listed.To add a new device, first unpair a paired device from the device list.Available devices are Bluetooth-enabled headsets, headphones, and speakers.
Date and Time	<ul style="list-style-type: none">Make sure the Automatic Time Update function is on with a proper Wi-Fi network connection. Open the fridge door and locate the display reset button on the inner side of the door. Press the button and press again to reset the display. Then, the date and time will be synced from the time server.You can change the time zone through the Time Zone menu.
Language	<ul style="list-style-type: none">Select a preferred language. Available languages depend on the sales region.
Learn more about Family Hub	<ul style="list-style-type: none">Tap Learn more about Family Hub to open the demo mode app. This app will walk you through a wide variety of Family Hub menus and functionality by separating them into 3 categories: Family Communication, Food Management, and Entertainment.
Online Manual	<ul style="list-style-type: none">The online manual will walk you through various menus and apps that the refrigerator provides directly on the display.
About Device	<ul style="list-style-type: none">Make sure the Software Update function is on with a proper Wi-Fi network connection.When updates are available, the UPDATE button becomes active. When updates are complete, the refrigerator restarts automatically.Legal information displays the Open Source License Agreement. Tap the list item to open the Open Source Announcement.
Easy Connection	<ul style="list-style-type: none">Easy Connection can be used with Samsung Smartphone apps, and allows you to connect your device to the same home Wi-Fi network that your smartphone is connected to.

Operations

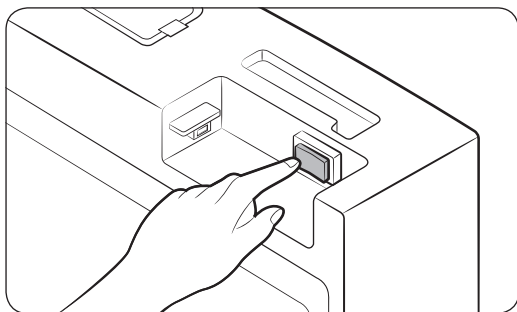
Device Authentication	<ul style="list-style-type: none">• Device Authentication can be used with Samsung Smart TV apps where the privacy information on the refrigerator can be shared to the TV.• Availability of this function depends on the device model.
Factory Data Reset	<ul style="list-style-type: none">• Tap Reset to restart the refrigerator in Factory Data Reset mode. All user data will be removed permanently. Data to be removed includes account information, memos, photos, and user settings. <p>⚠ CAUTION Once factory reset is complete, no user data can be recovered.</p>

Display reset (applicable models only)

If the display is not working correctly, try resetting the display. This may resolve the problem.



1. Open the right-side fridge door and locate the switch cover on the top right corner of the door.
2. Push up the cover to reveal the power switch.



3. Turn the switch off, and then turn it on again.
4. Reinsert the switch cover to the end until you hear a clicking sound.

Samsung Smart Home

Installation

Visit the Google Play Store, Galaxy Apps, or Apple App Store and search for “Samsung Smart Home”. Download and install the Samsung Smart Home app provided by Samsung Electronics to your smart device.

NOTE

- The Samsung Smart Home app is designed for Android 4.0 (ICS) or higher, or iOS 7.0 or higher, and is optimized for Samsung smartphones (Galaxy S and Galaxy Note series).
- For improved performance, the Samsung Smart Home app is subject to change without notice or discontinued support according to the manufacturer’s policy.
- Recommended encryption systems include WPA/TKIP and WPA2/AES. Any newer or non-standard Wi-Fi authentication protocols are not supported.
- Wireless networks may be affected by the surrounding wireless communication environment.
- If your Internet service provider has registered the MAC address of your PC or modem for identification, your Samsung Smart Refrigerator may fail to connect to the Internet. If this happens, contact your Internet service provider for technical assistance.
- The firewall settings of your network system may prevent your Samsung Smart Refrigerator from accessing the Internet. Contact your Internet service provider for technical assistance. If this symptom continues, contact a local Samsung service center or retailer.
- To configure the wireless access point (AP) settings, see the user manual of the AP.
- Samsung Smart Refrigerators support both Wi-Fi 2.4 GHz with IEEE 802.11 b/g/n and Soft-AP protocols. (IEEE 802.11 n is recommended.)
- Unauthorized Wi-Fi wireless routers may fail to connect to applicable Samsung Smart Refrigerators.

Operations

Samsung account

You are required to register your Samsung account to use the app. If you don't have a Samsung account, follow the app's onscreen instructions to create a free Samsung account.

Getting started

1. Run the Samsung Smart Home app and log in with your Samsung account. iPhone users are required to provide the login information each time they access the app.
2. Select **Device** > the **+** (**plus**) icon, and then tap **Refrigerator**.
3. Follow the onscreen instructions to provide the necessary information about the router, and then tap **Next**.
4. On the display of the refrigerator, access **Settings**, and then select **Easy Connection**.
5. When device registration is complete, the refrigerator icon will appear on the Samsung Smart Home app.
6. Tap the refrigerator icon to open the refrigerator page.

Refrigerator app

Integrated control

You can monitor and control your refrigerator at home and on the go.

- Tap the **refrigerator** icon in the Samsung Smart Home to open the Refrigerator page.
- Check the operation status or notifications related to your refrigerator, and then change options or settings if necessary.

NOTE

Some options or settings of the refrigerator may not be available for remote control.

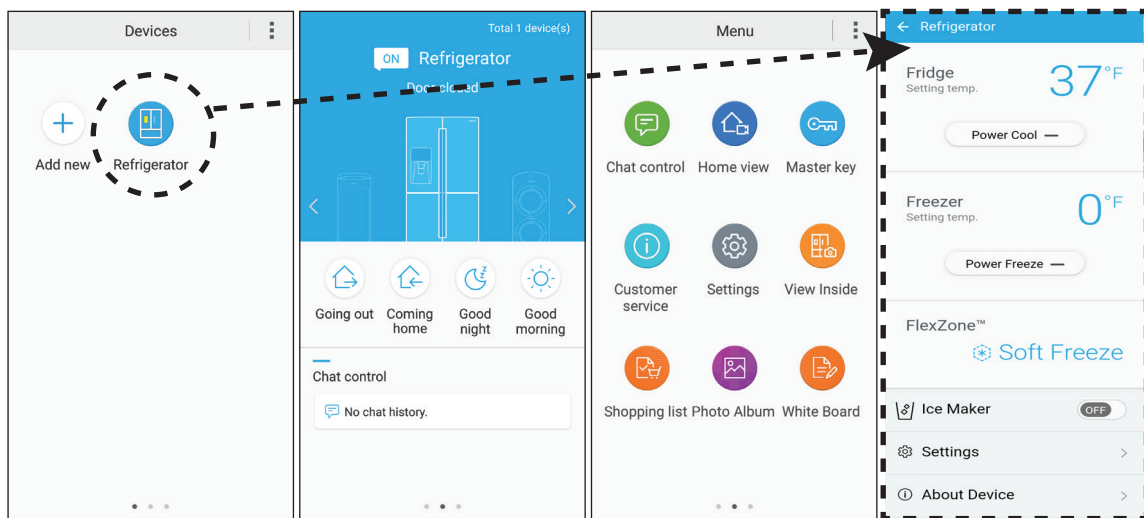
Key App features

Register Samsung Smart Home appliances to the Samsung Smart Home server for remote access.

App menu overview

NOTE

For improved performance and design, the content of the Samsung Smart Home App is subject to change without notice.



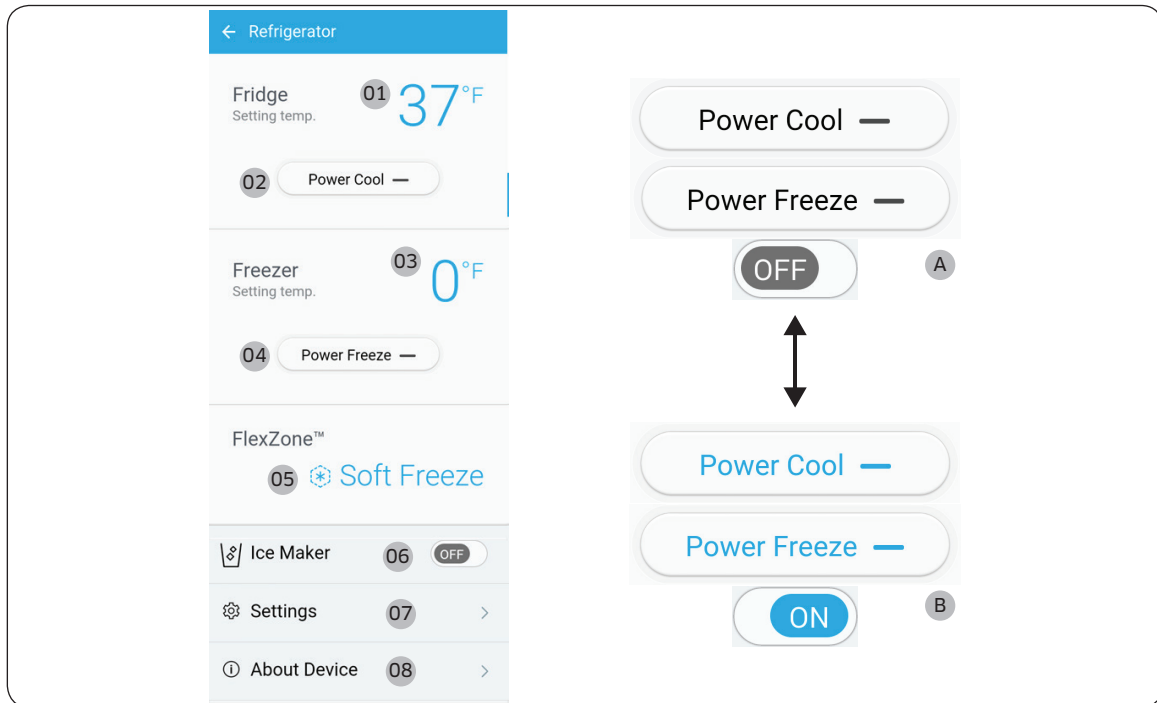
- Tap **Refrigerator** to open the settings page of the refrigerator.
- Swipe to move to the next page.

Chat control	You can control your Samsung Smart Home appliances remotely and check the operating status.
Home view (applicable models only)	By using the built-in camera of a Samsung Smart Home appliance, you can monitor your kitchen. This is available only with applicable models.
Master key	The master key is designed to control the locking system for different user activities such as going out, coming home, going to bed at night, and waking up in the morning. This is available only with applicable models.
Customer service	Lets you download the user manual and provides contact information for customer support.

Operations

Settings	<p>You can check the connected device as well as the software information (version and open-source licenses), and add devices or select a country.</p> <p>You can simulate the operation of the current device for demonstration purposes.</p>
View Inside	<p>View Inside displays the inner view of the refrigerator by taking a picture of it or receiving the food list created by the user.</p>
Shopping List	<p>Shopping List displays a shopping list created by the user.</p>
Photo Album	<p>You can send photos in the refrigerator's Photo Album to your smartphone, or vice versa.</p>
White Board	<p>Create a new white board memo using the refrigerator's White Board and send to your smartphone, or vice versa.</p>

Refrigerator settings



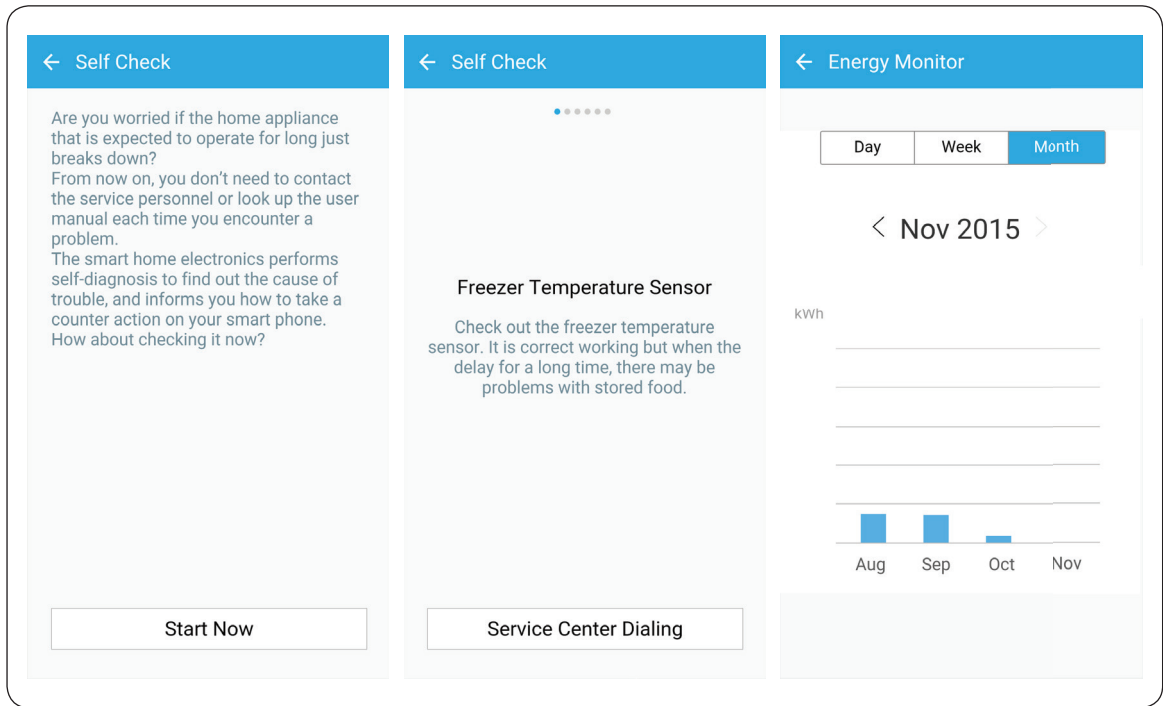
A: Disabled (black)

B: Enabled (blue)

Fridge	<p>01 Displays the currently set fridge temperature.</p> <p>02 You can turn on or turn off Power Cool and check the current settings. The Power Cool function lowers the fridge temperature and speeds up the cooling process. In the Power Cool mode, the fridge runs at full power for several hours and then returns to normal operation and the previous temperature setting.</p>
Freezer	<p>03 Displays the currently set freezer temperature.</p> <p>04 You can turn on or turn off Power Freeze and check the current settings. Power Freeze lowers the freezer temperature and speeds up the freezing process. In Power Freeze mode, the freezer runs at full power for several hours and then returns to normal operation and the previous temperature setting.</p>
FlexZone™	<p>05 Displays the current mode setting.</p>

Operations

Ice Maker	06 You can turn on or turn off the Ice Maker and check the current settings as well as the ice making status.
-----------	--



Settings	07 On the Settings screen, you can monitor the energy usage status of your refrigerator in a preferred format. Supported formats are daily, weekly, or monthly cumulative energy consumption reports covering a maximum of the last 180 days.
About Device	<p>08 Displays the product information including the current software version, tutorial, Self Check function, and Help Desk function. Lets you download the user manual and provides contact information for customer support.</p> <p>Self Check By accessing Self Check, you can view the diagnostic test results for your refrigerator. If the refrigerator detects an issue, it displays detailed information about the issue that can be used by customer service.</p>

SMART GRID Function (Demand Response)

When the refrigerator operates in SMART GRID (Demand Response) mode, the Energy Management Refrigerator function can control energy usage or delay the operation of some functions to save money when energy prices or demand are the highest.

NOTE

- You can deactivate the SMART GRID (Demand Response) function at any time using the Override On/Off function.
- To use the SMART GRID (Demand Response) function, you need a separate contract with your electric utility company.

In addition, to use the Smart Grid (Demand Response) function, you must register for the service with your electric company. The company must have an EMS (Energy Management System) that supports SEP (Smart Energy profile).

Using the SMART GRID (Demand Response) Function

This feature monitors energy prices and demand information from your utility company and sends notifications to the refrigerator to run high energy consuming tasks during off-peak times when electricity costs and demand are lower.

If the refrigerator receives a control signal from the utility company, the refrigerator will display the **DAL** (L3) ~ **TALR** (L4) levels on the refrigerator display and control the power consumption according to the level.

Exception condition: The **DAL** and **TALR** control signals from a utility company work as long as product performance is maintained.

If the refrigerator receives the SMART GRID (Demand Response) signal (**DAL** or **TALR**), the refrigerator will operate in Delay Appliance Load or Temporary Appliance Load Reduction mode.

- Delay Appliance Load (L3): The refrigerator responds to a **DAL** signal by providing a moderate load reduction for the duration of the delay period. This function controls functions that consume a lot of energy such as adjusting the Cooling system, running the defrost cycle, and making ice.
 - **DAL** mode is automatically deactivated after it lasts for the amount of time stipulated by the **DAL** signal (max. 4.5 hours) or when the Override function is turned on.

Operations

- Temporary Appliance Load Reduction (L4): The refrigerator responds to a **TALR** signal by aggressively reducing the load for a short time period. This function reduces energy consumption by stopping the compressor and controlling the functions that consume a lot of energy such as the defrost cycle and making ice.
 - **TALR (L4)** mode is automatically deactivated after it lasts for the received duration (max. 15 minutes), or when the Override function is turned on. The mode is immediately deactivated and the refrigerator returns to the normal state when the door is opened or closed, or the dispenser is used.

To check the MAC address

1. Tap the **Settings** icon on the Home screen.
2. Scroll down to and open **About Device**.
3. The screen displays (among others) the Wi-Fi MAC address.

Override Mode

When you want the refrigerator to ignore the SMART GRID (Demand Response) signal from the utility company, you can activate OVERRIDE mode.

When you activate OVERRIDE mode, the refrigerator ignores the SMART GRID (Demand Response) signal and is not controlled by the utility company.

Activating and deactivating Override mode

1. Tap the **Fridge Manage** icon.
2. On the bottom of the Fridge Manager screen, tap the **Fridge Settings** icon.
3. Tap **Demand Response**.
4. Slide the **DAL/TALR override** button to the **ON** or **OFF** position.

NOTE

- Alternatively, you can activate or deactivate OVERRIDE mode using the Samsung Smart Home app and the Energy Management function. See the next page.

Using the Energy Management Function

The Energy Management function enables you to control and monitor your Energy Management refrigerator using the Smart Home app for your convenience.

NOTE

- To use the Energy Management refrigerator functions, you have to install the corresponding app first.
1. Operational Status
 - You can check the DR and Override status.
 2. Energy Consumption Reporting
 - Shows the accumulated power consumption. Power consumption data is updated every 1 hour.

NOTE

The energy consumption report may differ from the power consumption specifications of the product depending on the operating environment and the quantity and type of stored food.

3. Delay Defrost Capability
 - The Delay Defrost Capability function saves energy by delaying the defrost operation to a time specified by the user. You can configure the time, and this function will save energy during the specified period in a 24 hour cycle. If the time is not set, the function works with the default time settings. The default time settings are below:
 - 6 am to 10 am: November 1st to April 30th.
 - 3 pm to 7 pm: May 1st to October 31st.

To change the time setting for the Delay Defrost Capability

You can change the time setting for the Delay Defrost Capability on the app.

Operations

Provision for Open Access to the Connected Product Requirements

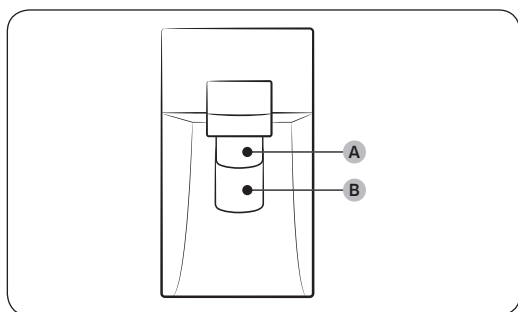
1. SGIP Open Standards (Smart Energy Profile 2.0 - <http://www.csep.org/>)
 - Energy Consumption Reporting
 - Demand Response
2. Samsung OPEN API
 - Operational Status, User Settings & Messages
 - ICE Maker Status: GET /devices/0/fridge/iceMaker
 - Door Open Alarm: GET /devices/0/Door/openState
 - DR Status: GET /devices/0/drlc
 - Delay Defrost Capability
 - Set Schedule of the Defrost Delay: POST /devices/0/fridge/defrostreservations
 - Get Schedule of the Defrost Delay : GET /devices/0/fridge/defrostreservations
 - Delete Schedule of the Defrost Delay: DELETE /devices/0/fridge/defrostreservations/<<id>>
 - Defrost Delay On/OFF: PUT /devices/0/fridge

Special features

The refrigerator has many convenient features.

Water dispenser

With the water dispenser, you can dispense water without opening the fridge door.



The water dispenser offers 3 options: chilled water, cubed ice, and crushed ice. If you do not want to dispense ice, simply press the **water lever (B)**.

With the Ice Maker enabled,

1. Press to select an ice type.
2. Put a water glass on the **ice lever (A)** and push it. Ice is dispensed from the dispenser.
3. If you want water, put the glass on the **water lever (B)** and push it. Water is dispensed from the dispenser.

NOTE

- To get ice and water, push the **ice lever (A)** first for ice, then move your glass down and press the **water lever (B)** for water.
- If you push both levers at once, only the first pushed lever operates.
- To prevent spills, wait 1 second before removing the glass after dispensing.
- Make sure the glass is in line with the dispenser to prevent the dispensed water from spilling out.
- If you do not use the water dispenser for 2-3 days, the dispensed water may have an abnormal smell or taste. This is not a system failure. Discard the first 1-2 glasses of water.

Operations

Ice maker

The refrigerator has a built-in ice maker that automatically dispenses ice so that you can enjoy filtered water with cubed or crushed ice.

Ice making

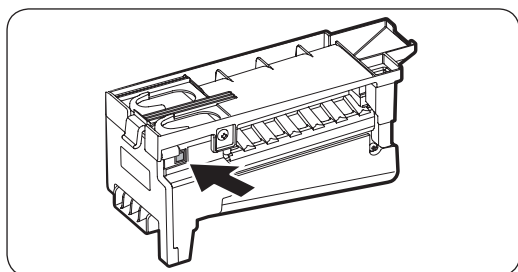
After you have installed your refrigerator and plugged it in, follow these instructions to ensure proper ice making and to keep the ice bucket full of ice:

1. Let the refrigerator run at least 24 hours without dispensing ice for optimal performance.
2. Dispense the first 4 to 6 ice cubes into a glass.
3. Wait another 8 hours and dispense another 4 to 6 ice cubes.
4. Then, wait another 16 hours and dispense the first glass-full of ice.

NOTE

- If you consume all the ice at once, you must wait 8 hours before dispensing the first 4 to 6 cubes. This ensures that the ice bucket is filled with ice properly.
- Ice cubes generated rapidly may look white, which is normal.

Diagnosis



If ice does not dispense, first check the ice maker.

To check the ice maker

1. Press **Test** on the side of the ice maker. You will hear a chime (ding-dong) when you press the button.
2. You will hear another chime if the ice maker is operating properly.

CAUTION

- If the ice making chime rings repeatedly, contact the waterline installer or a local Samsung service center.
- Do not press **Test** repeatedly after the ice tray is filled with ice or water. Water may overflow or ice may jam.
- Do not put food in the ice bucket. The frozen food may damage the ice maker, especially when you open or close the door.
- When the refrigerator recovers power after a power failure, the ice bucket may contain a mix of melted and jammed ice cubes, which can prevent the ice maker from working properly. To prevent this, make sure to empty the ice bucket before using the refrigerator.

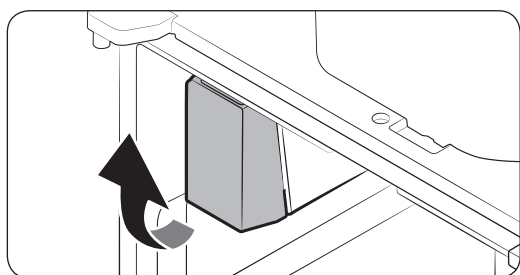
- Do not put fingers or any objects into the dispenser outlet or the ice maker. This can cause physical injury or property damage.
- When reinserting the ice maker tray, make sure that the tray is properly centered at the entrance. Otherwise, the tray can get stuck.

Ice Maker Off

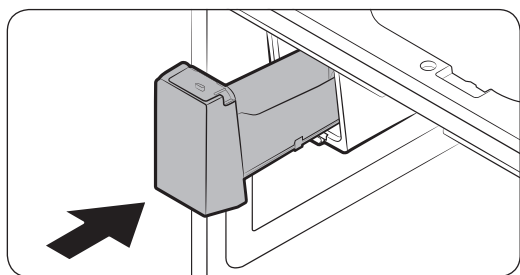
To disable the icemaker, tap **Fridge Manager** > **Fridge Settings** > **Ice Making** on the Home screen, and then select **Off**. Make sure to empty the ice bucket.

Remaining ice cubes may clump together, making it difficult to remove them.

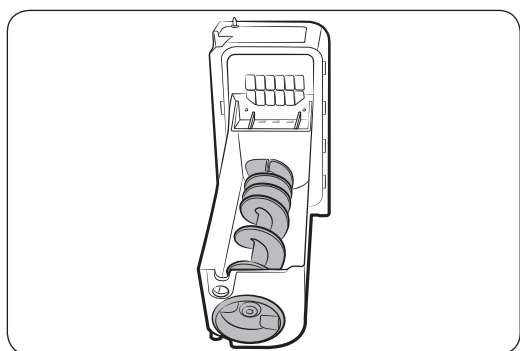
To remove the ice bucket



1. Hold the bottom of the ice bucket with one hand and hold the side with the other hand.
2. Gently lift it up and pull out.



3. Remove the remaining ice cubes and put the ice bucket back into place.



If the ice bucket is not firmly inserted, turn the ice screw 90 degrees, and then try again.

NOTE

- Removal of the ice bucket does not affect the thermal and mechanical performance of the refrigerator.

Operations

Water clouding

Water supplied to the refrigerator flows through a core alkaline filter. During this filtering process, the water pressure of the water increases and the water becomes saturated with oxygen and nitrogen. This causes the water to look misty or cloudy temporarily when dispensed. This is normal and the water will look clear after a few seconds.

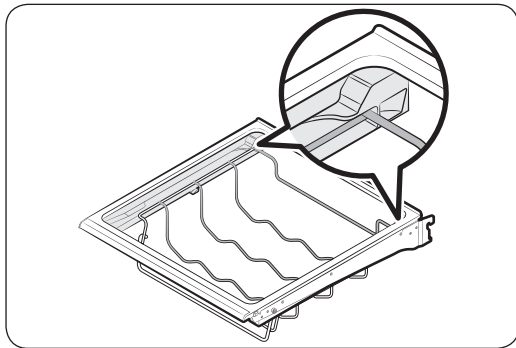
Wine Rack

The refrigerator ships with the wine rack, which can be positioned in one of 3 positions: under the shelf, in the partition guide or on top of the sliding shelf of the FlexZone. Availability of the position depends on the model.

⚠ CAUTION

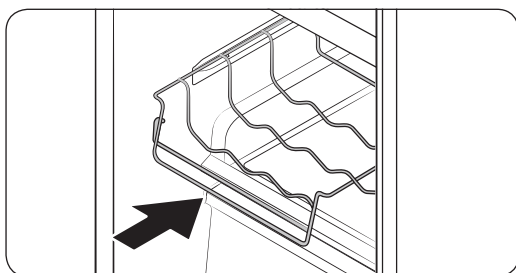
To remove or insert the wine rack, make sure that the wine rack is empty.

Under the shelf



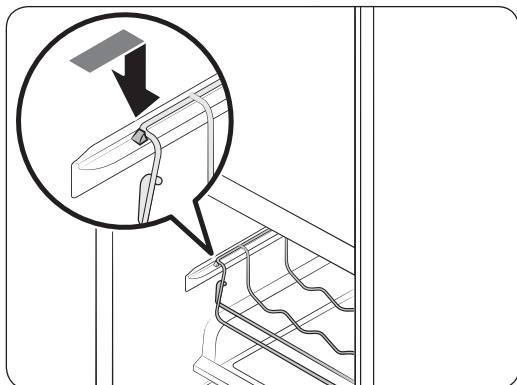
Insert the wine rack under the shelf of the fridge. Make sure to insert it to the end as marked in the figure.

In the partition guide

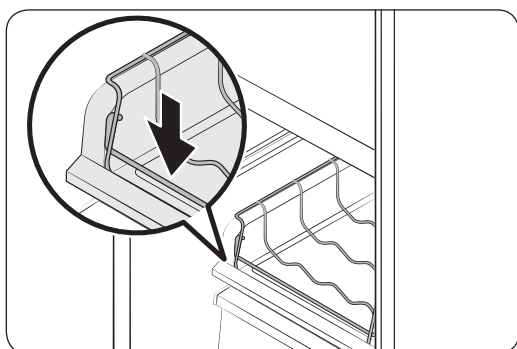


Insert the wine rack in the partition guide of the FlexZone.

- Make sure the front of the wine rack fits in the partition guide on the inner left-hand side of the FlexZone.
- Set the temperature of the FlexZone to **White Wine**.



On the sliding shelf



Insert the wine rack on top of the sliding shelf of the FlexZone, normally below the partition guide.

- Set the temperature of the FlexZone to **White Wine**.

! CAUTION

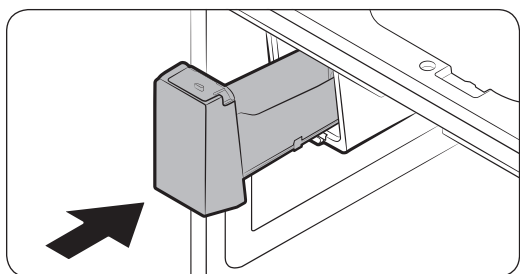
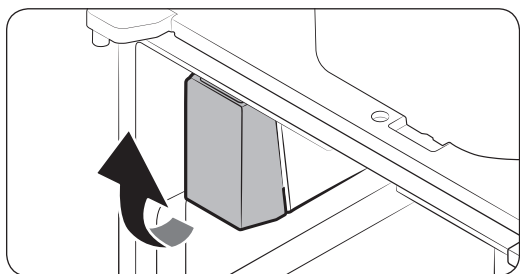
- Do not store wine bottles in the freezer. The bottles freeze and break, causing physical injury.
- Do not store wine bottles in two rows. The bottles may fall, causing physical injury.
- Do not store the wine bottles taller than 330 mm in height. The bottles may break when you close the door, causing physical injury.

Maintenance

Handling and care

Ice bucket

If you do not dispense ice for an extended period, ice may form clumps inside the bucket. If this happens, remove and empty the ice bucket.



1. To remove the ice bucket, gently lift it up, and then pull it out slowly while holding the bottom of the bucket with one hand and the side with the other hand.
2. Empty the bucket.
3. When done, put the bucket back into position. If the bucket does not fit in, turn the helix screw 90 degrees, and then try again.

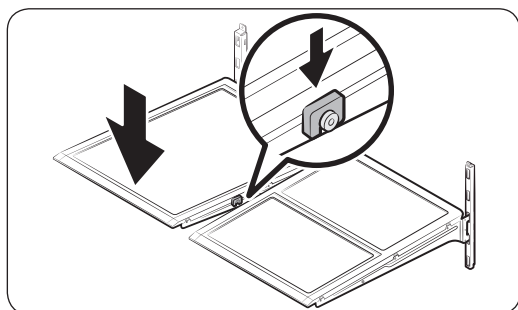
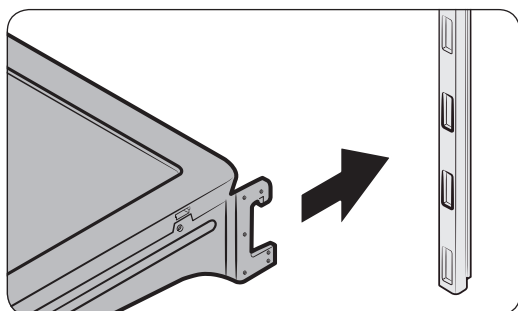
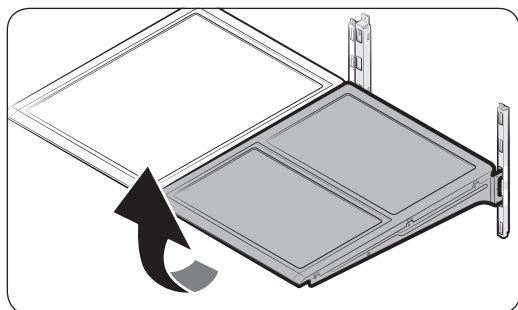
CAUTION

- Do not apply excessive force to the bucket cover. The cover may break.
- Do not forcefully close the door. Water may spill over the ice maker.
- To prevent injury, make sure to clean up any ice or water that has fallen on the floor.
- To prevent accidents or injury, do not let children play with the water dispenser or the ice maker.
- Do not put your hand or an object into the ice chute. This may cause physical injury or product damage.
- Use only the provided ice bucket. Third-party ice buckets may cause a system failure.
- Use only potable water that is connected to the water supply line.

NOTE

- The water pressure required for ice making is between 20 psi and 125 psi.
- Noise from the the ice maker as it produces ice during the ice making process is normal.
- While the door is open, neither the ice maker nor the water dispenser operates.

Tempered glass shelves (fridge)



- To remove a shelf, fully open the corresponding door. Hold the front of the shelf, and then gently lift up and slide out.

- To reinsert, hold the shelf at an angle so the front is higher than the back, and then insert the top hook into the top shelf notch. Then, lower the shelf and insert the bottom shelf hook into the bottom shelf notch.

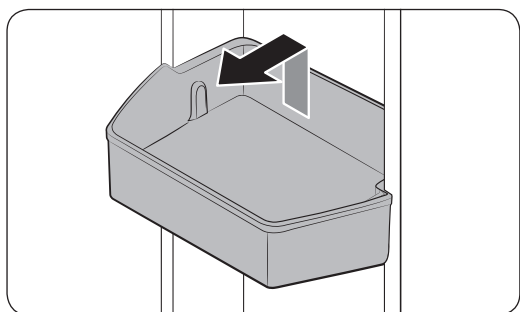
CAUTION

- The tempered glass shelves are heavy. Use caution when removing them.
- The shelf must be inserted correctly. Do not insert upside down.
- Glass containers may scratch the surface of glass shelves.

Maintenance

Door bins

The top door bin section has a marked line to ensure easy removal and proper reinsertion.

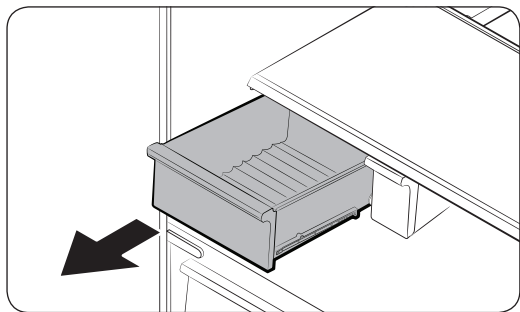


Lift up the door bin, and then pull out straight.

CAUTION

Do not allow children to play with the bins. Sharp-edged corners may cause injury.

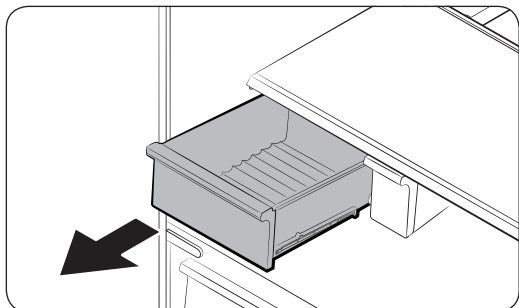
Vegetable & fruit drawers (EZ fresh zone)



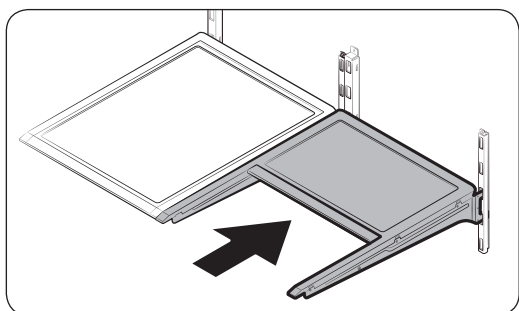
Gently lift up the front of the drawer and slide out.

We recommend that you remove the door bins before removing the drawer. This is to prevent damage to the door bins.

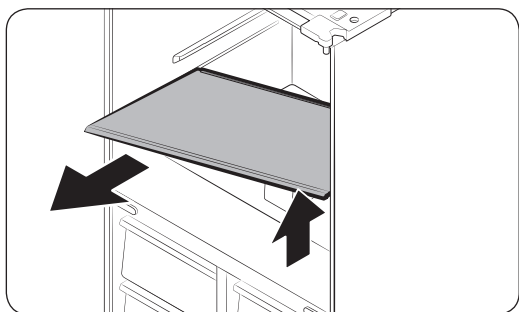
Vegetable shelf



1. Slide out the left-side vegetable drawer.



2. Slide in the right-side foldable shelf.



3. While supporting the vegetable shelf with one hand, slide it out with the other hand.

NOTE

To use the space that is opened up after removing the foldable shelf, take out the vegetable shelf.

To reinsert, follow the steps above in the reverse order.

Ice bucket

To remove the ice bucket, see the Maintenance section on page 58.

Maintenance

Cleaning

Interior and exterior

WARNING

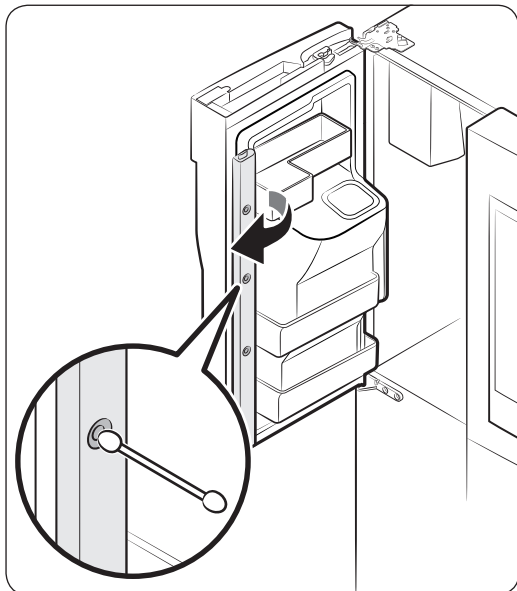
- Do not use benzene, thinner, or home/car detergent such as Clorox™ for cleaning. They may damage the surface of the refrigerator or cause a fire.
- Do not spray water onto the refrigerator. This may cause electric shock.
- Do not put fingers or any objects into the dispenser outlet.

Regularly use a dry cloth to remove all foreign substances such as dust or water from the power plug terminals and contact points.

To clean the refrigerator

1. Unplug the power cord.
2. Use a moistened, soft, lint-free cloth or paper towel to clean the refrigerator's interior and exterior.
3. When done, use a dry cloth or paper towel to dry well.
4. Plug in the power cord.

Inner-view camera



NOTE


Use a cotton swab or microfiber cloth to clean the camera on the left-side door of the fridge.

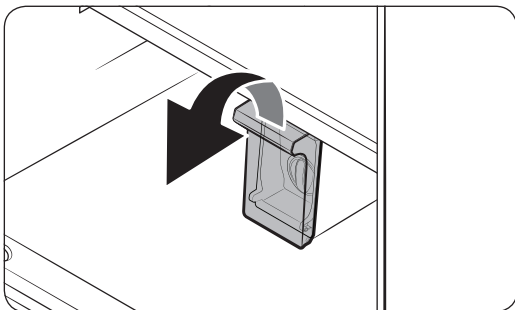
Replacement

Water filter

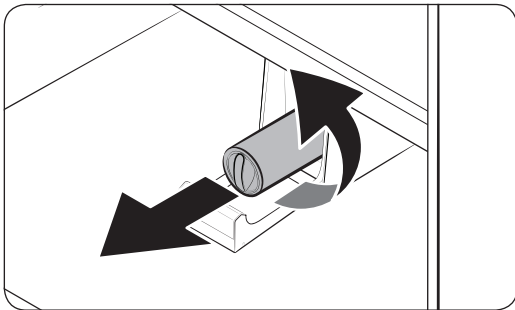
WARNING

- Do not use third-party water filters. Use only Samsung-provided or -approved filters.
- Unapproved filters may leak and damage the refrigerator, causing electric shock. Samsung is not responsible for any damage that may occur from use of third-party water filters.

The filter indicator () turns red to let you know it is time to replace the water filter. Before replacing the filter, make sure the water supply line is shut off.

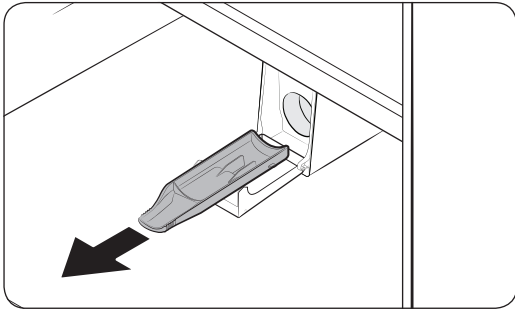


1. Open the filter cover.
 - Some models may not have the filter cover. In this case, skip this step.



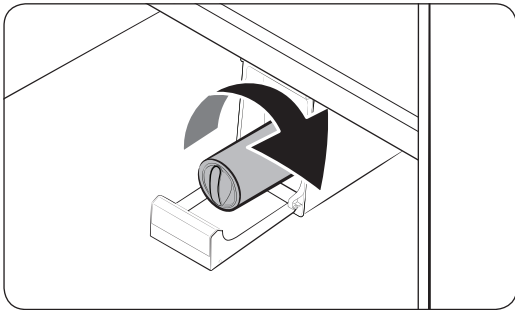
2. Turn the knob of the filter cartridge counter clockwise 90 degrees (1/4 turn). The filter cartridge unlocks.
3. Pull out to remove the cartridge.
 - If the water filter is severely contaminated, the cartridge may not be easy to remove. If that is the case, use force to remove the cartridge.
 - To prevent water leaks from the filter opening, keep the cartridge straight while removing it.

Maintenance

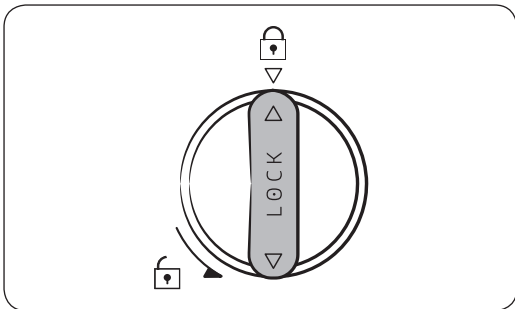


NOTE

To prevent overflow, empty and dry the water filter tray.



4. Insert a new filter cartridge. Use only Samsung-provided or approved filters.



5. Turn the cartridge knob clockwise to lock into place.
6. On the Home screen, tap **Fridge Manager** > **Fridge Settings** > **Water Filter**, and then select **RESET**. The filter indicator turns off.
7. When you are done replacing the filter, open the water valve and run water through the dispenser for about 7 minutes. This is to remove impurities and air from the water line.

NOTE

- A newly installed filter may cause the water dispenser to spurt water briefly. This is because air has entered the waterline.
- The replacement process may cause the water dispenser to drip for a short period of time. If it drips, simply wipe up any water on the floor with a dry towel.

Reverse osmosis water filtration system

The water pressure of the water supply system to a reverse osmosis water filtration system must be between 35 psi and 120 psi (241 kPa and 827 kPa).

The water pressure of the reverse osmosis water filtration system to the refrigerator's cold water line must be at least 40 psi (276 kPa). If the water pressure is below these specifications:

- Check if the sediment filter in the reverse osmosis system is blocked. Replace the filter if necessary.
- Refill the water tank in the reverse osmosis system with water.
- If your refrigerator has a water filter, it may further reduce the water pressure when used in conjunction with a reverse osmosis system. Remove the water filter.

For more information or servicing, contact a licensed plumbing professional.

Ordering a new filter

To purchase a new water filter, contact a local Samsung service center or visit www.samsungparts.com on the web.

LED Lights

To replace the LED lights on the refrigerator, contact a local Samsung service center.

WARNING

The LED lights are not user-serviceable. Do not attempt to replace an LED light yourself. This can cause electric shock.

Troubleshooting

If you encounter a problem with the refrigerator, first check the tables starting below, and then try the suggested actions.

General

Symptom	Action
The refrigerator does not operate or cool.	<ul style="list-style-type: none">• Make sure the power cord is connected properly.• Make sure the temperature control is set correctly. Try setting to a lower temperature.• Make sure the refrigerator is not being exposed to direct sunlight and is not near a heat source. Failing to do so may affect the cooling performance.• Make sure the refrigerator is far enough away from rear walls, side walls, or cabinets to allow proper ventilation. Failing to do so may affect the cooling performance.• Too much food can block the internal ventilation of the refrigerator. To keep the refrigerator operating normally, do not put too much food inside.
Food in the fridge freezes.	<ul style="list-style-type: none">• Check if the temperature control is set to the lowest temperature. If so, change to a higher temperature.• This can happen if the ambient room temperature is too low. Set the room temperature higher.• Check if food containing a high proportion of water has been put in the coldest area of the fridge or near the cooling vent. If so, move the food to other shelves in the fridge.
You hear unusual noises or sounds.	<ul style="list-style-type: none">• Make sure the refrigerator is installed on a stable, flat surface.• Make sure the refrigerator is far enough away from rear walls, side walls, and cabinets to allow proper ventilation.• Make sure that there are no foreign objects (coins, keys, cutlery, etc.) inside or underneath the refrigerator.• The refrigerator may produce a ticking sound from inside. This occurs when the various accessories contract or expand as the temperature inside changes. This is normal.

Symptom	Action
The front corners and sides become warm and form condensation.	<ul style="list-style-type: none"> To prevent condensation from forming, the refrigerator has heat-proof piping in the front corners. If the ambient temperature rises, this equipment may not work effectively. This is not a system failure. Make sure the door is closed properly. Condensation may form if you leave the door open for an extended period of time. Condensation may form on the exterior surface of the refrigerator if humid air comes into contact with the cool surface of the refrigerator.
The ice maker does not make ice.	<ul style="list-style-type: none"> If you have used all the ice in the ice bucket, you must wait for 12 hours for the refrigerator to make more ice. Check if the Ice Off indicator is lit. If it is, activate the Ice Maker function so that the Ice Off indicator turns off. See Fridge Setting for details. Make sure the freezer is set below 32 °F (0 °C) (or 23 °F (-5 °C) in warm ambient air). Make sure the water tank is filled with water. Check if the ice bucket contains ice clumps. If it does, empty the ice bucket and try again.
The water dispenser is not functioning.	<ul style="list-style-type: none"> Check if the water tank is frozen. If so, select a higher fridge temperature. Make sure the water tank is filled with water. Make sure the water tank is installed properly. Make sure the water filter is installed properly.
You hear a bubbling sound.	<ul style="list-style-type: none"> This is normal. The bubbling sound comes from refrigerant circulating through the refrigerator.
A bad smell comes from inside the refrigerator.	<ul style="list-style-type: none"> Check for any spoiled food. We recommend cleaning the refrigerator on a regular basis and removing any spoiled or suspect food items. Make sure strong smelling food is wrapped tightly or stored in air tight containers.
Frost forms on the interior walls.	<ul style="list-style-type: none"> Make sure no food blocks the vents of the refrigerator. It is also important to arrange food items evenly for ventilation. Make sure the door is closed properly.

Troubleshooting

Symptom	Action
Condensation forms on the interior walls or around vegetables.	<ul style="list-style-type: none">• This happens when food containing a high proportion of water is stored uncovered, or the door has been left open for an extended period of time.• Make sure food is covered or put in sealed containers.
The freezer door does not close.	<ul style="list-style-type: none">• Push the water dispenser lever to check the water supply.• Push the ice dispenser lever to check the operation of the auger motor in the ice maker assembly.• Check if there are any objects obstructing the auger motor and preventing it from running. If found, remove the objects and clear the motor area.• If the ice maker has not been used for an extended time, the ice bucket may contain ice chunks that obstruct the auger motor and prevent it from running properly. If this is the case, remove and empty the ice bucket.

Samsung Smart Home

Symptom	Action
Could not find “Samsung Smart Home” in the app market.	<ul style="list-style-type: none">• The Samsung Smart Home app is available for smartphones that run Android 4.0 (ICS) or higher, or iOS 7.0 or higher.
The Samsung Smart Home app fails to operate.	<ul style="list-style-type: none">• The Samsung Smart Home app is available on applicable models only.• The old Samsung Smart Refrigerator app cannot connect with Samsung Smart Home models.
The Samsung Smart Home app is installed but is not connected to my refrigerator.	<ul style="list-style-type: none">• You must log into your Samsung account to use the app.• Make sure that your router is operating normally.• If you have not connected your refrigerator to the Samsung Smart Home App after the app was installed, you must make connection using the device registration function of the app.
Could not log into the app.	<ul style="list-style-type: none">• You must log into your Samsung account to use the app.• If you don't have a Samsung account, follow the app's onscreen instructions to create one.
An error message appears when I try to register my refrigerator.	<ul style="list-style-type: none">• Easy Connection may fail due to the distance from your access point (AP) or electrical interference from the surrounding environment. Wait a moment and try again.
The Samsung Smart Home app is successfully connected to my refrigerator but does not run.	<ul style="list-style-type: none">• Exit and restart the Samsung Smart Home app or disconnect and reconnect the router.• Unplug the power cord of the refrigerator, and then plug it in again after 1 minute.

Troubleshooting

Smart Grid

Symptom	Action
What Do I Need to use the Energy Management and Smart Grid functions?	<p>To use the Smart Grid (Demand Response) and Energy Management functions on your refrigerator, you need the following:</p> <p>Devices</p> <ul style="list-style-type: none">• A wireless access point (router)• A Samsung Energy Management-supported refrigerator• A smartphone <p>Registration</p> <ul style="list-style-type: none">• Connect your refrigerator to your home Wi-Fi network.• Register for the EMS service with your electric company that has an EMS (Energy Management System) supporting SEP (Smart Energy profile). <p>App</p> <ul style="list-style-type: none">• Download the Samsung Smart Home app from the Google Play Store, Apple App Store, or Samsung Galaxy Apps.• Install and run the Samsung Smart Home app on your smartphone.
Why isn't the Energy Management function working normally?	<ul style="list-style-type: none">• Make sure that your home router is operating normally with proper Internet service and connection.• Make sure that the refrigerator is connected to the AP (router). <p>Checkpoints</p> <ul style="list-style-type: none">• Connect your smartphone to the router (AP, Access Point), and then check if you can browse the Internet on the smartphone.
Why isn't the Delay Defrost Capability working normally?	<ul style="list-style-type: none">• Make sure that your home router is operating normally with proper Internet service and connection.

LCD

Symptom	Action
Cannot connect to my TV.	<ul style="list-style-type: none">• This refrigerator can connect only with Samsung Smart TV 6400 series or higher models released since 2015. Please check the model name of your TV first.• Network connections may suffer temporarily. Turn your TV off, and then try again.
The inner view picture looks bulged.	<ul style="list-style-type: none">• The edges of the inner view may look bulged, which is attributed to the convex lens.• The inner view may be incomplete due to the blind spots on the left and right corners or screened depending on the layout of food items. Make sure to place food items in the front center.
The displayed measurement on the Fridge Manager is not correct.	<ul style="list-style-type: none">• The displayed conditions may differ from the actual temperature and humidity.

Warranty (USA)

WARRANTY ON SAMSUNG REFRIGERATOR

LIMITED WARRANTY TO ORIGINAL PURCHASER

This Samsung brand product, as supplied and distributed by Samsung Electronics America, Inc. (Samsung) and delivered new, in the original carton to the original consumer purchaser, is warranted by Samsung against manufacturing defects in materials and workmanship for a limited warranty period of:

One (1) year Parts and Labor on Refrigerator

Five (5) years Parts and Labor on sealed Refrigeration system only*

Ten (10) years Parts and Five (5) years Labor on Digital Inverter Compressor

(*Compressor, evaporator, condenser, drier, connecting tubing)

This limited warranty begins on the original date of purchase, and is valid only on products purchased and used in the United States. To receive warranty service, the purchaser must contact Samsung for problem determination and service procedures. Warranty service can only be performed by a Samsung authorized service center. The original dated bill of sale must be presented upon request as proof of purchase to Samsung or Samsung authorized service center.

Samsung will repair or replace any part found to be defective, at our option and at no charge as stipulated herein, with new or reconditioned parts during the limited warranty period specified above. All replaced parts and products become the property of Samsung and must be returned to Samsung. Replacement parts and products assume the remaining original warranty, or ninety (90) days, whichever is longer.

In-home service will be provided during the warranty labor period subject to availability within the contiguous United States. In-home service is not available in all areas. To receive in-home service, the product must be unobstructed and accessible from floor level to service personnel. If during in-home service repair cannot be completed, it may be necessary to remove, repair and return the product. If in-home service is unavailable, Samsung may elect, at our option, to provide for transportation of our choice to and from a Samsung authorized service center. Otherwise, transportation to and from the Samsung authorized service center is the responsibility of the purchaser.

This limited warranty covers manufacturing defects in materials and workmanship encountered in normal, noncommercial use of this product, and shall not apply to the following, including, but not limited to: damage which occurs in shipment; delivery and installation; applications and uses for which this product was not intended; altered product or serial numbers; cosmetic damage or exterior finish; accidents, abuse, neglect, fire, water, lightning or other acts of nature; use of products, equipment, systems, utilities, services, parts, supplies, accessories, applications, installations, repairs, external plumbing and leaks, external wiring, circuit breakers, fuses or connectors not supplied and authorized by Samsung, or which damage this product or result in service problems; incorrect electrical line voltage, fluctuations and surges; customer adjustments and failure to follow operating instructions, cleaning, maintenance and environmental instructions that are covered and prescribed in the instruction book; loss of food due to spoilage; consumable items including filters and light.

THERE ARE NO EXPRESS WARRANTIES OTHER THAN THOSE LISTED AND DESCRIBED ABOVE, AND NO WARRANTIES WHETHER EXPRESS OR IMPLIED, INCLUDING, BUT NOT LIMITED TO, ANY IMPLIED WARRANTIES OF MERCHANTABILITY OR FITNESS FOR A PARTICULAR PURPOSE, SHALL APPLY AFTER THE EXPRESS WARRANTY PERIODS STATED ABOVE, AND NO OTHER EXPRESS WARRANTY OR GUARANTY GIVEN BY ANY PERSON, FIRM OR CORPORATION WITH RESPECT TO THIS PRODUCT SHALL BE BINDING ON SAMSUNG. SAMSUNG SHALL NOT BE LIABLE FOR LOSS OF REVENUE OR PROFITS, FAILURE TO REALIZE SAVINGS OR OTHER BENEFITS, OR ANY OTHER SPECIAL, INCIDENTAL OR CONSEQUENTIAL DAMAGES CAUSED BY THE USE, MISUSE OR INABILITY TO USE THIS PRODUCT, REGARDLESS OF THE LEGAL THEORY ON WHICH THE CLAIM IS BASED, AND EVEN IF SAMSUNG HAS BEEN ADVISED OF THE POSSIBILITY OF SUCH DAMAGES. NOR SHALL RECOVERY OF ANY KIND AGAINST SAMSUNG BE GREATER IN AMOUNT THAN THE PURCHASE PRICE OF THE PRODUCT SOLD BY SAMSUNG AND CAUSING THE ALLEGED DAMAGE. WITHOUT LIMITING THE FOREGOING, PURCHASER ASSUMES ALL RISK AND LIABILITY FOR LOSS, DAMAGE OR INJURY TO PURCHASER AND PURCHASER'S PROPERTY AND TO OTHERS AND THEIR PROPERTY ARISING OUT OF THE USE, MISUSE OR INABILITY TO USE THIS PRODUCT SOLD BY SAMSUNG NOT CAUSED DIRECTLY BY THE NEGLIGENCE OF SAMSUNG. THIS LIMITED WARRANTY SHALL NOT EXTEND TO ANYONE OTHER THAN THE ORIGINAL PURCHASER OF THIS PRODUCT, IS NONTRANSFERABLE AND STATES YOUR EXCLUSIVE REMEDY.

Some states do not allow limitations on how long an implied warranty lasts, or the exclusion or limitation of incidental or consequential damages, so the above limitations or exclusions may not apply to you. This warranty gives you specific legal rights, and you may also have other rights, which vary from state to state. To obtain warranty service, please contact Samsung at:

Warranty (USA)

SAMSUNG CUSTOMER CARE CENTER

Samsung Electronics America, Inc. 85 Challenger Road Ridgefield Park, NJ 07660

1-800-SAMSUNG (726-7864)

www.samsung.com/us/support

Warranty Information (CANADA)

If your refrigerator needs service

Do not hesitate to call any Samsung Authorized Service Center nearby giving them your name, address and telephone number when your product is not functioning properly.

Limited Warranty for Original Purchaser

This Samsung product is warranted by Samsung Electronics Canada Inc. (hereafter referred to as SECA) against manufacturing defects in material or workmanship for the following periods:

Labor : 1 year (in-home)

Parts : 1 year

Inverter Compressor : 10 years (Part only)

SECA further warrants that if this product fails to operate properly within the specified warranty period and the failure is due to improper workmanship or defective material, SECA will repair or replace the product at its option. In-home service is not available in all areas. Contact us to find out if in-home service is currently available in your area by using the contact information at the back of this warranty.

All warranty repairs or part replacements must be performed by a SECA Authorized Service Center. (To find the nearest SECA Service Center, call 1-800-SAMSUNG (7267864) or visit our web site at www.samsung.com/ca)

Obligation to the Original Owner

The original dated sales receipt must be retained by the customer and is the only acceptable proof of purchase. It must be presented to a SECA Authorized Service Center at the time service is requested before warranty services are rendered. On all carry-in models, transportation to and from the Authorized Service Center is the responsibility of the customer.

Warranty Information (CANADA)

Exclusions of the Warranty

This warranty does not cover damage due to accident, fire, flood, and/or other Acts of God, misuse, incorrect line voltage, improper installation, improper or unauthorized repairs, commercial use, or damage that occurs during shipping. Customer adjustments which are explained in this owners manual are not covered under the terms of this warranty. This warranty will automatically be voided for any unit found with a missing or altered serial number. This warranty is valid only on products purchased and used in the Canada.

SAMSUNG CUSTOMER CARE CENTER

Samsung Electronics Canada Inc. 2050 Derry Road West, Mississauga, Ontario L5N 0B9
Canada

1-800-SAMSUNG (726-7864)

www.samsung.com/ca/support (English)

www.samsung.com/ca_fr/support (French)

Open Source Announcement

The software included in this product contains open source software. You may obtain the complete corresponding source code for a period of three years after the last shipment of this product by sending an email to <mailto:oss.request@samsung.com>.

It is also possible to obtain the complete corresponding source code in a physical medium such as a CD-ROM; a minimal charge will be required.

The following URL http://opensource.samsung.com/opensource/F_HUB/seq/0 leads to the download page of the source code made available and open source license information as related to this product. This offer is valid to anyone in receipt of this information.



Memo

Memo



Scan the QR code* or visit
www.samsung.com/spsn
to view our helpful
How-to Videos and Live Shows

* Requires reader to be installed on your
smartphone

Scan this with your smartphone

Contact SAMSUNG WORLD WIDE

If you have any questions or comments relating to Samsung products, please contact the SAMSUNG customer care center.

Country	Contact Center	Web Site
U.S.A	1-800-SAMSUNG (726-7864)	www.samsung.com/us/support
CANADA	1-800-SAMSUNG (726-7864)	www.samsung.com/ca/support (English) www.samsung.com/ca_fr/support (French)



DA68-03460A-05



Refrigerador

Manual del usuario

Electrodoméstico independiente

SAMSUNG

Contenido

Información sobre seguridad	3
Símbolos y advertencias de seguridad importantes:	3
Advertencia sobre la State of California Proposition 65 (solo EE.UU.)	3
Advertencias muy importantes para la instalación	4
Precauciones para la instalación	6
Advertencias muy importantes para el uso	6
Precauciones de uso	10
Precauciones para la limpieza	11
Advertencias muy importantes para la eliminación de residuos	12
1. Aviso regulatorio	13
Instalación	15
Descripción breve de su refrigerador	15
Extracción de la puerta para la entrada	17
Instalación paso a paso	25
Funcionamiento	34
Interfaz del usuario	34
Samsung Smart Home	42
Función SMART GRID(respuesta a la demanda)	48
Funciones especiales	52
Mantenimiento	57
Manipulación y cuidado	57
Limpieza	61
Reemplazo	62
Solución de problemas	65
General	65
Samsung Smart Home	68
Smart Grid	69
LCD	70
Garantía (USA)	71
GARANTÍA DEL REFRIGERADOR SAMSUNG	71

Información sobre seguridad

- Antes de utilizar su nuevo refrigerador Samsung, lea detenidamente este manual a fin de aprender a usar las funciones que ofrece de manera segura y eficiente.
- Este electrodoméstico no debe ser utilizado por personas (incluidos niños) con capacidades mentales, sensoriales o físicas reducidas o por personas que carezcan de experiencia y conocimientos, a menos que se encuentren bajo la supervisión o hayan recibido instrucciones de un responsable de su seguridad sobre el uso del refrigerador.
- Debido a que las siguientes instrucciones corresponden a diversos modelos, es posible que las características de su refrigerador difieran ligeramente de las que se describen en este manual.
- Si tiene alguna duda, comuníquese al 1-800-SAMSUNG o encuentre ayuda e información en línea en www.samsung.com.
- Se utiliza R-600a o R-134a como refrigerante. Mire la etiqueta del compresor en la parte posterior del electrodoméstico o la etiqueta de voltaje dentro del refrigerador para constatar qué refrigerante fue utilizado en su refrigerador. Si este producto contiene gas inflamable (Refrigerante R-600a), comuníquese con las autoridades locales para desechar este producto en forma segura.
- Es peligroso que una persona que no sea un técnico de servicio autorizado realice tareas de reparación en este aparato.

Símbolos y advertencias de seguridad importantes:

Sírvase seguir todas las instrucciones de seguridad del presente manual. En el presente manual se utilizan los siguientes símbolos de seguridad.

ADVERTENCIA

Riesgos o prácticas inseguras que pueden causar **graves lesiones personales, daños a la propiedad y/o incluso la muerte.**

PRECAUCIÓN

Riesgos o prácticas inseguras que pueden causar **lesiones personales leves y/o daños materiales.**

NOTA

Información útil que ayuda a los usuarios a comprender u obtener beneficios del refrigerador.

Estas señales de advertencia se incluyen aquí para evitar que usted o terceros sufran lesiones.

Sígalas atentamente.

Después de leer esta sección, consérvela en un lugar seguro para referencia futura.

Advertencia sobre la State of California Proposition 65 (solo EE.UU.)

ADVERTENCIA : Este producto contiene productos químicos reconocidos en el estado de California como capaces de provocar cáncer y defectos de nacimiento u otras afecciones reproductivas.



Información sobre seguridad

Advertencias muy importantes para la instalación

ADVERTENCIA

- No instale el refrigerador en un lugar húmedo o donde pueda entrar en contacto con agua.
 - El aislamiento deficiente de las piezas eléctricas puede provocar una descarga eléctrica o un incendio.
- No exponga este refrigerador a la luz solar directa ni al calor de estufas, calefactores u otros electrodomésticos.
- No enchufe varios electrodomésticos en la misma toma múltiple. El refrigerador debe conectarse siempre a un tomacorriente individual cuyo voltaje nominal coincida con el que se especifica en la placa de voltaje del refrigerador.
 - De esta manera se obtiene el mejor desempeño y también se evita que se sobrecarguen los circuitos del cableado de la casa, lo que podría sobrecalentar los cables y provocar un riesgo de incendio.
- Si el tomacorriente está flojo, no conecte el enchufe.
 - Existe el riesgo de que se produzca una descarga eléctrica o un incendio.
- No utilice un cable de alimentación que esté dañado o gastado en su extensión o en cualquiera de los extremos.
- No doble excesivamente el cable de alimentación ni coloque objetos pesados sobre él.
- No tire del cable de alimentación ni lo doble excesivamente.
- No retuerza ni amarre el cable de alimentación.
- No coloque el cable de alimentación sobre un objeto metálico; no coloque sobre él ningún objeto pesado; no lo coloque entre objetos ni lo empuje hacia el espacio que hay detrás del electrodoméstico.
- Al mover el refrigerador, tenga cuidado de no enroscar ni dañar el cable de alimentación.
 - Esto podría causar una descarga eléctrica o un incendio.
- Nunca desenchufe el refrigerador jalando el cable de alimentación. Siempre sostenga el enchufe con firmeza y jale para extraerlo del tomacorriente.
 - Los daños al cable pueden provocar un cortocircuito, un incendio o una descarga eléctrica.
- No almacene sustancias explosivas como latas de aerosoles con gases propelentes inflamables en este electrodoméstico.
- No instale este electrodoméstico cerca de calefactores o materiales inflamables.
- No instale este electrodoméstico en un lugar donde pueda haber fugas de gas.
 - Esto podría causar una descarga eléctrica o un incendio.
- Antes de usarse, el refrigerador debe ubicarse e instalarse de manera apropiada de acuerdo con las instrucciones de este manual.
- Conecte el enchufe en la posición correcta con el cable colgando hacia abajo.
 - Si conecta el enchufe al revés, el cable puede cortarse y provocar un incendio o una descarga eléctrica.



- Asegúrese de que el enchufe no esté aplastado ni haya sido dañado por la parte posterior del refrigerador.
- Mantenga los materiales de empaque fuera del alcance de los niños.
 - Existe el riesgo de muerte por asfixia si un niño se coloca los materiales de empaque en la cabeza.
- El electrodoméstico debe colocarse de manera tal que se pueda acceder al enchufe después de la instalación.
 - No seguir esta recomendación puede causar una descarga eléctrica o un incendio debido a una fuga de electricidad.
- No instale este electrodoméstico en un lugar húmedo, engrasado o sucio, o en un sitio con exposición directa al sol o al agua (lluvia).
 - El aislamiento deficiente de las piezas eléctricas puede provocar una descarga eléctrica o un incendio.
- Si ingresaran grandes cantidades de polvo o agua al refrigerador, desenchufe el cable de alimentación y comuníquese con el Centro de Servicio de Samsung Electronics.
 - Si no lo hace, existe el riesgo de que se produzca un incendio.
- No se pare sobre el electrodoméstico ni le coloque objetos encima (tales como ropa, velas o cigarrillos encendidos, platos, productos químicos, objetos metálicos, etc.).
 - Esto podría causar una descarga eléctrica, un incendio, problemas con el producto o lesiones.
- Es necesario quitar toda la película plástica protectora antes de enchufar el producto por primera vez.
- Se deberá vigilar a los niños para asegurarse de que no jueguen con los anillos elásticos utilizados para el ajuste de la puerta o con las grapas del tubo de agua.
 - Existe riesgo de muerte por asfixia si un niño se traga un anillo elástico o una grapa del tubo de agua. Mantenga los anillos elásticos y las grapas del tubo de agua fuera del alcance de los niños.
- El refrigerador debe estar conectado a tierra de manera segura.
 - Siempre asegúrese de haber conectado el refrigerador a tierra antes de intentar examinar o reparar alguna pieza. Las fugas de energía pueden provocar una descarga eléctrica grave.
- Nunca utilice como conexión a tierra tubos de gas, líneas telefónicas ni otras posibles fuentes de atracción de rayos.
 - El refrigerador debe estar conectado a tierra para evitar cualquier fuga de energía o descarga eléctrica provocada por fugas de corriente del refrigerador.
 - Esto podría causar descargas eléctricas, incendios, explosiones o problemas con el producto.
 - El uso inapropiado de la conexión a tierra puede traer como consecuencia un riesgo de descarga eléctrica. Si necesita usar un cable de extensión, use solo uno de tres hilos con un enchufe que tenga una tercera punta para el polo a tierra; la toma de corriente deberá tener 3 ranuras para adaptarse al enchufe del electrodoméstico. La potencia indicada en el cable de extensión debe ser CA 115-120 V, 10 A o superior. Si se utiliza un adaptador de tierra, asegúrese de que el receptáculo esté conectado correctamente a tierra.



Información sobre seguridad

- Conecte bien el enchufe a la toma de pared. No utilice enchufes o cables de alimentación dañados ni enchufes de pared flojos.
 - Esto podría causar una descarga eléctrica o un incendio.
- Si el cable de alimentación está dañado, solicite su reemplazo de inmediato al fabricante o a uno de los agentes de servicio técnico.
- Únicamente un técnico calificado o compañía de reparaciones debe estar autorizado para cambiar el fusible del refrigerador.
 - No seguir esta recomendación, podría causar una descarga eléctrica o lesiones.

Precauciones para la instalación

PRECAUCIÓN

- Deje espacio suficiente alrededor del refrigerador e instálelo sobre una superficie plana.
 - Mantenga libre de obstáculos el espacio de ventilación en el gabinete o la estructura de montaje del electrodoméstico.
- Una vez que haya instalado el refrigerador y lo haya encendido, permita que funcione durante 2 horas antes de cargarlo con alimentos.
- Recomendamos que el refrigerador sea instalado por un técnico calificado o una compañía de servicios.
 - No seguir esta recomendación puede causar descargas eléctricas, incendios, explosiones, problemas con el producto o lesiones.
- Sobrecargar una de las puertas puede ocasionar la caída del refrigerador y provocar lesiones personales.

Advertencias muy importantes para el uso

ADVERTENCIA

- No conecte el enchufe en un tomacorriente con las manos mojadas.
 - Esto podría causar una descarga eléctrica.
- No coloque objetos en la parte superior de la unidad.
 - Cada vez que abra o cierre la puerta, estos podrían caerse y provocar lesiones personales o daños materiales.
- No coloque las manos, los pies ni objetos metálicos (como palillos chinos, etc.) en la parte inferior o posterior del refrigerador.
 - Esto podría causar una descarga eléctrica o lesiones personales.
 - Algunos bordes filosos podrían provocar lesiones personales.



- No toque las paredes internas del congelador ni los productos almacenados en este con las manos mojadas.
 - Esto puede provocar quemaduras por frío.
- No coloque un recipiente con agua sobre el refrigerador.
 - Si se derrama, existe el riesgo de que se produzca un incendio o una descarga eléctrica.
- No almacene sustancias u objetos volátiles o inflamables (benceno, solvente, gas propano, alcohol, éter, gas LP ni cualquier otro producto de este tipo) en el refrigerador.
 - Este refrigerador se debe utilizar solo para almacenar alimentos.
 - Esto podría causar un incendio o una explosión.
- Se deberá vigilar a los niños para asegurarse de que no jueguen con el electrodoméstico.
 - Aleje los dedos de los puntos de agarre. Los espacios entre las puertas y el gabinete son inevitablemente pequeños. Abra las puertas con cuidado si hay niños cerca.
- No permita que los niños se cuelguen de la puerta ni de los compartimientos de la puerta. Pueden producirse lesiones graves.
- No permita que los niños ingresen al refrigerador. Podrían quedar atrapados.
- No coloque las manos debajo del electrodoméstico.
 - Es posible que algunas puntas filosas le provoquen lesiones.
- No almacene en el refrigerador productos farmacéuticos, materiales científicos ni productos sensibles a la temperatura.
 - No se deben almacenar productos que requieran controles estrictos de temperatura.
- No coloque ni utilice aparatos eléctricos dentro del refrigerador/congelador, a menos que sean del tipo recomendado por el fabricante.
- En caso de sentir olor a humo, desconecte el enchufe de inmediato y comuníquese con el Centro de Servicio de Samsung Electronics.
- Si ingresaran grandes cantidades de polvo o agua al refrigerador, desenchufe el cable de alimentación y comuníquese con el Centro de Servicio de Samsung Electronics.
 - Si no lo hace, existe el riesgo de que se produzca un incendio.
- No permita que los niños se paren sobre un cajón.
 - El cajón se puede romper y los niños pueden caerse.
- No deje las puertas del refrigerador abiertas si el refrigerador no está siendo vigilado y no permita que los niños ingresen en el refrigerador.
- No permita que los bebés ni los niños ingresen al cajón.
 - Esto puede provocar muerte por asfixia debido al encierro o lesiones personales.
- No sobrecargue el refrigerador con comida.
 - Cuando abra la puerta, algún elemento podría caerse y provocar lesiones personales o daños materiales.
- No pulverice material volátil, tal como un insecticida, sobre la superficie del electrodoméstico.
 - Además de ser perjudicial para los seres humanos, puede causar una descarga eléctrica, un incendio o problemas con el producto.



Información sobre seguridad

- Nunca coloque los dedos ni otros objetos en el orificio del dispensador de agua, en el recipiente de hielo o en la cubeta de la fábrica de hielo.
 - Esto puede provocar lesiones personales o daños materiales.
- No utilice ni coloque ninguna sustancia sensible a la temperatura, tales como pulverizadores inflamables, objetos inflamables, hielo seco, medicamentos o productos químicos, cerca o dentro del refrigerador.
- No utilice un secador de cabello para secar el interior del refrigerador. No coloque velas encendidas en el refrigerador para eliminar los malos olores.
 - Esto podría causar una descarga eléctrica o un incendio.
- Llene el tanque de agua, la charola para el hielo solamente con agua potable (agua de la llave, agua mineral o agua purificada).
 - No llene el tanque con té, jugo ni bebidas isotónicas. Pueden dañar el refrigerador.
- No se pare sobre el electrodoméstico ni le coloque objetos encima (tales como ropa, velas o cigarrillos encendidos, platos, productos químicos, objetos metálicos, etc.). Esto podría causar una descarga eléctrica, un incendio, problemas con el producto o lesiones. No coloque un recipiente con agua sobre el electrodoméstico.
 - Si se derrama, existe el riesgo de que se produzca un incendio o una descarga eléctrica.
- No utilice dispositivos mecánicos ni cualquier otro medio para acelerar el proceso de descongelamiento que no sean aquellos recomendados por el fabricante.
- No dañe el circuito del refrigerante.
- No mire fijamente la lámpara LED UV durante mucho tiempo.
 - Los rayos ultravioletas podrían dañarle la visión.
- No coloque el estante del refrigerador al revés. El tope del estante no funcionará.
 - El estante de vidrio puede caerse y provocar lesiones.
- Aleje los dedos de los puntos de agarre. Los espacios entre las puertas y el gabinete son inevitablemente pequeños. Abra las puertas con cuidado si hay niños cerca.
- Si se detecta una fuga de gas, evite las llamas o posibles fuentes de ignición y ventile durante varios minutos la habitación en la que se encuentra el electrodoméstico.
 - No toque el electrodoméstico ni el cable de alimentación.
 - No utilice un ventilador.
 - Una chispa puede provocar una explosión o un incendio.
- Utilice solamente lámparas LED proporcionadas por el fabricante o sus agentes de servicio técnico.
- Las botellas se deben almacenar una junto a otra de manera tal que no se tumben ni se caigan.
- Este producto se debe utilizar solo para almacenar alimentos en un entorno doméstico.
- Nunca coloque los dedos ni otros objetos en el orificio del dispensador de agua, en el recipiente de hielo o en la cubeta de la fábrica de hielo.
 - Puede provocar lesiones personales o daños materiales.



- No intente reparar, desensamblar ni modificar el refrigerador por su cuenta.
 - Las modificaciones que no han sido autorizadas pueden provocar problemas de seguridad. Para revertir una modificación no autorizada, cobraremos el costo completo de las piezas y mano de obra.
- No utilice ningún fusible (tales como los de alambres de acero, de cobre, etc.) que no sea un fusible estándar.
- Si es necesario reparar o volver a instalar el refrigerador, comuníquese con su Centro de Servicio más cercano.
 - No seguir esta recomendación puede causar una descarga eléctrica, un incendio, problemas con el producto o lesiones.
- Si la lámpara LED interior o exterior se ha apagado, comuníquese con el Centro de Servicio más cercano.
- En caso de sentir olor a quemado o a humo en el refrigerador, desenchúfelo de inmediato y comuníquese con un Centro de Servicio Samsung.
 - No seguir esta recomendación podría causar una descarga eléctrica o un incendio.
- Desenchufe el refrigerador antes de cambiar las lámparas internas.
 - Si no lo hace, existe el riesgo de que se produzca una descarga eléctrica.
- Si le resulta difícil cambiar una luz que no sea de LED, comuníquese con un Centro de Servicio de Samsung.
- Si el producto cuenta con lámparas LED, no desensamble las cubiertas de la lámpara y las lámparas LED usted mismo.
 - Comuníquese con un Centro de Servicio de Samsung.
- Conecte bien el enchufe a la toma de pared.
- No utilice enchufes o cables de alimentación dañados ni enchufes de pared flojos.
 - Esto podría causar una descarga eléctrica o un incendio.



Información sobre seguridad

Precauciones de uso

PRECAUCIÓN

- No vuelva a congelar alimentos que se hayan descongelado completamente. No coloque bebidas carbonatadas o con gas en el compartimiento del congelador. No coloque botellas ni recipientes de vidrio en el congelador.
 - Cuando el contenido se congela, el vidrio puede romperse y provocar lesiones personales.
- Utilice solamente la fábrica de hielo del refrigerador.
- Para obtener el mejor desempeño del producto:
 - No coloque alimentos muy cerca de las rejillas de ventilación en la parte posterior del refrigerador, ya que pueden obstruir la libre circulación del aire en el compartimiento del refrigerador.
 - Envuelva los alimentos adecuadamente o colóquelos en recipientes herméticos antes de almacenarlos en el refrigerador.
 - No coloque botellas de vidrio ni bebidas carbonatadas en el congelador. Si se congelan, pueden romperse. Los recipientes de bebidas rotos pueden provocar lesiones personales.
 - Cumpla con los tiempos máximos de almacenamiento y las fechas de vencimiento de los alimentos congelados.
- No coloque recipientes ni botellas de vidrio ni bebidas carbonatadas en el congelador.
 - El recipiente puede congelarse y romperse, y esto puede ocasionar lesiones.
- Garantía de servicio y modificación.
 - El servicio de garantía de Samsung no cubre los cambios o las modificaciones realizadas por un tercero a este electrodoméstico; Samsung tampoco es responsable de los problemas relacionados con la seguridad que puedan surgir a causa de modificaciones hechas por terceros.
- No obstruya las rejillas de ventilación dentro del refrigerador.
 - Si las rejillas de ventilación están tapadas, en particular con una bolsa de plástico, el refrigerador se puede sobrecongelar. Si el período de enfriamiento es demasiado prolongado, el filtro de agua puede romperse y provocar fugas de agua.
- Si se desconecta el refrigerador del suministro de energía, espere al menos cinco minutos antes de volver a enchufarlo.
- Si entran grandes cantidades de agua al refrigerador, desenchúfelo y comuníquese con un Centro de Servicio Samsung.
- No golpee ni aplique una fuerza excesiva sobre ninguna superficie de vidrio.
 - Un vidrio roto puede causar lesiones personales o daños materiales.
- Llene el tanque de agua y la charola para el hielo solamente con agua potable (agua de la llave, agua mineral o agua purificada).
 - No llene el tanque con té, jugo ni bebidas isotónicas. Pueden dañar el refrigerador.
- Si el refrigerador se inunda, desconecte la alimentación del refrigerador y comuníquese con el centro de servicios Samsung más cercano.
 - Existe el riesgo de que se produzca una descarga eléctrica o un incendio.



Precauciones para la limpieza

PRECAUCIÓN

- No pulverice con agua directamente dentro o fuera del refrigerador.
 - Existe el riesgo de que se produzca un incendio o una descarga eléctrica.
- No utilice un secador de cabello para secar el interior del refrigerador.
- No coloque velas encendidas en el refrigerador para eliminar los malos olores.
 - Esto podría causar una descarga eléctrica o un incendio.
- No rocíe productos de limpieza directamente sobre el visor.
 - Las letras impresas en el visor pueden borrarse.
- Si cualquier sustancia extraña, tal como agua, ingresa en el refrigerador, desenchúfelo y comuníquese con su Centro de Servicio más cercano.
 - No seguir esta recomendación podría causar una descarga eléctrica o un incendio.
- Use un paño seco y limpio para retirar cualquier sustancia extraña o polvo de las clavijas del enchufe. No utilice un paño mojado ni húmedo para limpiar el enchufe.
 - De lo contrario, existe el riesgo de que se produzca un incendio o una descarga eléctrica.
- No limpie el refrigerador rociando agua directamente sobre él.
- No limpie el refrigerador con benceno, disolvente o Clorox (blanqueador).
 - Pueden dañar la superficie del refrigerador y provocar un incendio.
- Nunca coloque los dedos ni otros objetos en la salida del dispensador.
 - Puede provocar lesiones personales o daños materiales.
- Antes de limpiar o realizar el mantenimiento, desenchufe el refrigerador del enchufe de pared.
 - No seguir esta recomendación podría causar una descarga eléctrica o un incendio.



Información sobre seguridad

Advertencias muy importantes para la eliminación de residuos

ADVERTENCIA

- **PELIGRO** : Existe el riesgo de que los niños queden encerrados. Antes de desechar su antiguo refrigerador o congelador:
 - Retire las puertas y los pestillos.
 - Deje los estantes en su lugar de manera tal que los niños no puedan trepar fácilmente en el interior.
 - Si algún niño queda atrapado dentro del refrigerador, puede lastimarse o asfixiarse hasta morir.
- Deseche el material de empaque de este producto de forma tal que no resulte nocivo para el medio ambiente.
- Asegúrese de que ninguno de los tubos que se encuentran en la parte trasera del refrigerador estén dañados antes de desecharlos.
- Se utiliza R-600a o R-134a como refrigerante. Mire la etiqueta del compresor en la parte posterior del electrodoméstico o la etiqueta de voltaje dentro del refrigerador para constatar qué refrigerante fue utilizado en su refrigerador. Si este refrigerador contiene gas inflamable (Refrigerante R-600a), comuníquese con las autoridades locales para desechar este producto en forma segura.
- Cuando deseche este refrigerador, retire los burletes y los pestillos de las puertas de manera tal que los niños pequeños o los animales no puedan quedar atrapados en el interior. Se deberá vigilar a los niños para asegurarse de que no jueguen con el electrodoméstico.
 - Si quedan atrapados dentro, los niños pueden lesionarse o sofocarse hasta morir.
- Se utiliza ciclopentano como aislante. Los gases del material de aislamiento requieren un procedimiento especial para desecharlos. Comuníquese con las autoridades locales para desechar este producto de manera que no resulte nocivo para el medio ambiente.
- Mantenga los materiales de empaque fuera del alcance de los niños, ya que pueden ser peligrosos para ellos.
 - Si un niño se coloca una bolsa en la cabeza, puede asfixiarse.



1. Aviso regulatorio

1.1 Aviso de la FCC (Federal Communications Commission)

PRECAUCIÓN de la FCC:

Todos los cambios y modificaciones que no cuenten con la aprobación expresa de la parte responsable del cumplimiento pueden invalidar la autoridad del usuario para operar el equipo.

Contiene módulo transmisor FCC ID: A3LWIDT30Q, A3LWIBT30D

Este aparato cumple con la sección 15 de las Normas de la FCC. El funcionamiento se encuentra sujeto a las siguientes dos condiciones:

- (1) Este aparato no puede causar interferencia dañina y
- (2) Este aparato debe aceptar la recepción de cualquier interferencia, incluidas aquellas que causen un funcionamiento indeseado.

En los productos disponibles en los mercados de los Estados Unidos y Canadá, solo están disponibles los canales 1 a 11.

No es posible seleccionar otros canales.

DECLARACIÓN DE LA FCC:

Este equipo ha sido sometido a pruebas y se ha determinado que se encuentra dentro de los límites para los dispositivos digitales clase B, de acuerdo con la parte 15 de las Normas de la FCC. Dichos límites han sido diseñados para proporcionar una protección razonable contra la interferencia dañina en una instalación residencial.

Este equipo genera, utiliza y puede irradiar energía de frecuencias de radio y, si no se lo instala y utiliza de acuerdo con las instrucciones, pueden producirse interferencias en las comunicaciones de radio. Sin embargo, no existe garantía alguna de que no habrá interferencia en una instalación determinada. Si el equipo provoca interferencia dañina a la recepción de radio o televisión, que puede determinarse al encender y apagar el equipo, se sugiere que el usuario trate de corregir la interferencia mediante una o más de las siguientes medidas:

- Reorientar o reubicar la antena receptora
- Aumentar la distancia entre el equipo y el receptor
- Conectar el equipo en un tomacorriente que está en un circuito diferente que el receptor.
- Consultar a su distribuidor o a un técnico experimentado en radio/TV para obtener ayuda.

DECLARACIÓN DE LA FCC SOBRE LA EXPOSICIÓN A LA RADIACIÓN:

Este equipo cumple con los límites de exposición a la radiación establecidos por la FCC para un entorno no controlado.

Este equipo debe instalarse y utilizarse con una distancia mínima de 8 pulgadas (20 cm) entre el radiador y su cuerpo. Este aparato y sus antenas no deben ubicarse ni utilizarse junto con ninguna otra antena o transmisor excepto si se cumplen los procedimientos de la FCC para productos transmisores múltiples.



Información sobre seguridad

1.2 Aviso de la IC

Contiene módulo de transmisor IC: 649E-WIDT30Q, 649E-WIBT30D

El término "IC" antes del número de certificación de radio solo significa que cumple con las especificaciones técnicas de la Industria de Canadá. El funcionamiento se encuentra sujeto a las siguientes dos condiciones: (1) Este aparato no puede causar interferencia dañina, y (2) este aparato debe aceptar la recepción de cualquier interferencia, incluidas aquellas que puedan causar un funcionamiento indeseado. Este aparato digital Clase B cumple con el ICES-003 de Canadá.

Cet appareil numérique de la classe B est conforme à la norme NMB-003 du Canada.

En los productos disponibles en los mercados de los Estados Unidos y Canadá, solo están disponibles los canales 1 a 11. No es posible seleccionar otros canales.

DECLARACIÓN IC SOBRE LA EXPOSICIÓN A LA RADIACIÓN:

Este equipo cumple con los límites de exposición a la radiación establecidos por la IC RSS-102 para un entorno no controlado. Este equipo debe instalarse y utilizarse con una distancia mínima de 8 pulgadas (20 cm) entre el radiador y su cuerpo. Este aparato y sus antenas no deben ubicarse ni utilizarse junto con ninguna otra antena o transmisor excepto si se cumplen los procedimientos de la FCC para productos transmisores múltiples.

GUARDE ESTAS INSTRUCCIONES



Instalación

Siga estas instrucciones cuidadosamente para evitar accidentes y garantizar la instalación adecuada del refrigerador.

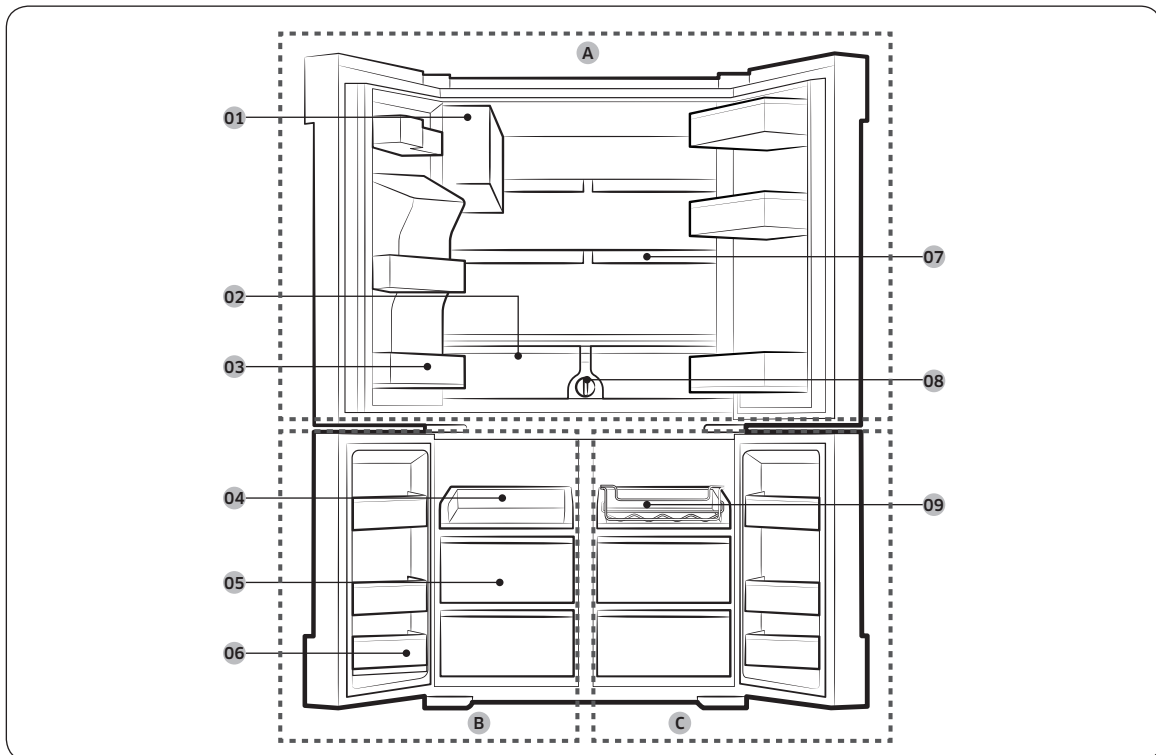
⚠ ADVERTENCIA

- Utilice el refrigerador solamente para su uso previsto como se describe en este manual.
- Todas las reparaciones deben estar a cargo de un técnico calificado.
- Descarte el material de empaque del producto de acuerdo con la normativa local.
- A fin de evitar descargas eléctricas, desenchufe el cable de alimentación antes de realizar trabajos de mantenimiento.

Descripción breve de su refrigerador

📄 NOTA

Las imágenes de piezas del presente manual y componentes provistos del refrigerador pueden diferir, dependiendo del modelo y del país.



Instalación

- | | | | |
|----|--|----|--------------|
| 01 | Fábrica de hielo automática (Ice Master) | A. | Refrigerador |
| 02 | Cajones de verduras y frutas frescas EZ | B. | Congelador |
| 03 | Guarda multiusos del refrigerador | C. | FlexZone |
| 04 | Estante corredizo accesible | | |
| 05 | Cajones de almacenamiento de carne y alimentos secos | | |
| 06 | Compartimientos de la puerta del congelador | | |
| 07 | Estante espacio rápido | | |
| 08 | Filtro de agua | | |
| 09 | Estante para vinos | | |

* solo para los modelos correspondientes

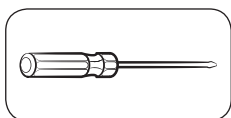
NOTA

- Para una mayor eficiencia energética, asegúrese de que todos los estantes, cajones y canastos estén en su posición original.
- Al cerrar la puerta, asegúrese de que la sección de la bisagra vertical se encuentre en la posición correcta para impedir que se raye con la otra puerta.
- Si la sección de la bisagra vertical está invertida, colóquela en la posición correcta y cierre la puerta.
- Algunas veces puede aparecer humedad en esta sección de la bisagra vertical.
- Si cierra una puerta por la fuerza, la otra puerta puede abrirse.
- Cuando se abre la puerta, el disyuntor desactiva automáticamente el motor sinfín de la fábrica de hielo por razones de seguridad.
- Si la lámpara LED interna o externa no funcionan, comuníquese con un centro de servicio Samsung.

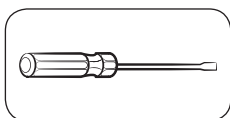
Extracción de la puerta para la entrada

Si el refrigerador no pasa por la entrada de su casa o de la cocina por una cuestión de tamaño, siga estas instrucciones para extraer y colocar nuevamente las puertas del refrigerador. Si no necesita retirar las puertas, vaya a la página 25 para obtener las instrucciones de instalación.

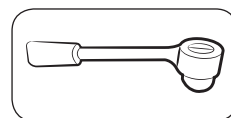
Herramientas necesarias (no provistas)



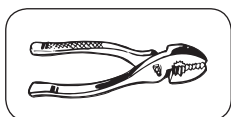
Destornillador Philips



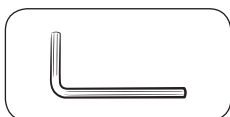
Destornillador plano



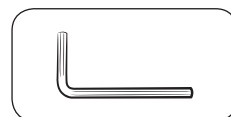
Llave de tubo (10 mm)



Pinzas

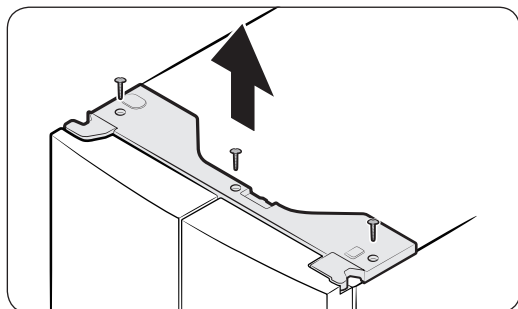


Llave Allen (4 mm)



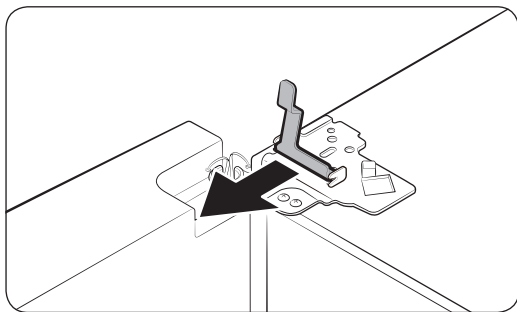
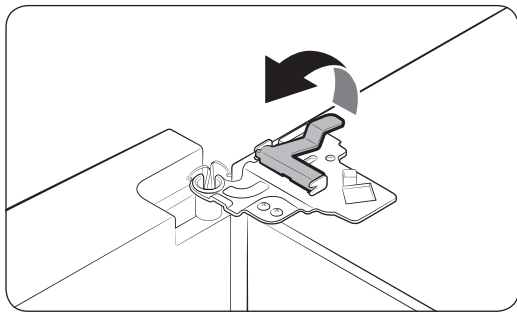
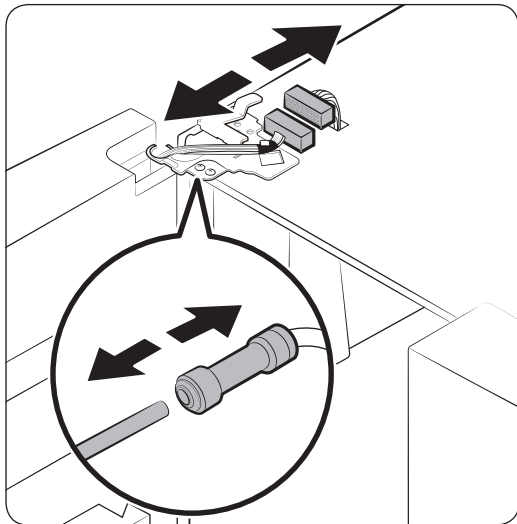
Llave Allen (5 mm)

Cómo retirar las puertas del refrigerador



1. Con las puertas cerradas, utilice un destornillador Philips para extraer los tornillos (x3) de la cubierta superior. Levante y retire la cubierta superior con los conectores.

Instalación



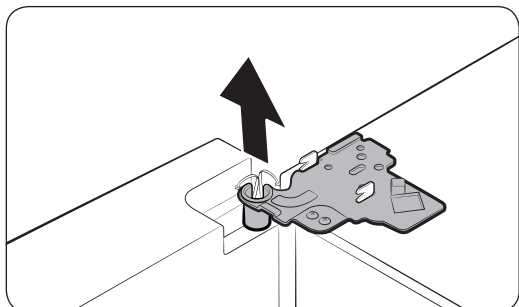
2. Desconecte los dos conectores de cables de la puerta izquierda. La posición de los conectores varía entre modelos.

⚠ PRECAUCIÓN

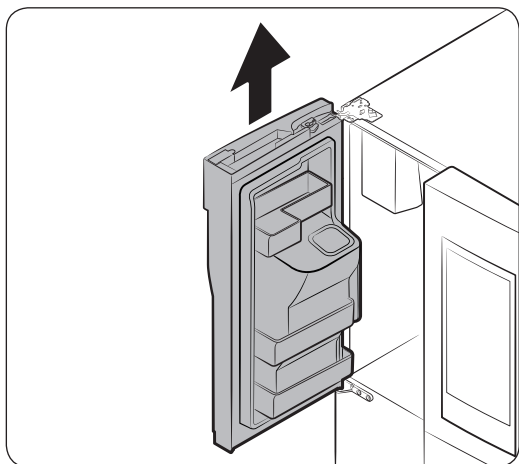
- No estriga ambas puertas simultáneamente. Asegúrese de retirar una puerta por vez. De lo contrario, alguna podría caerse y provocar lesiones.
 - Asegúrese de que el refrigerador esté apagado antes de desconectar los conectores.
3. Desconecte la tubería de agua del acoplador de la puerta izquierda como se ilustra.

4. Levante suavemente la abrazadera en varios pasos. A fin de evitar lesiones en los dedos, no aplique fuerza repentinamente sobre la abrazadera.

5. Tire hacia arriba de la abrazadera para retirarla.



6. Abra la puerta a 90 grados. Mientras sostiene la puerta, levante y retire la bisagra superior. Tenga cuidado de no dañar los cables de los conectores al retirar la bisagra.



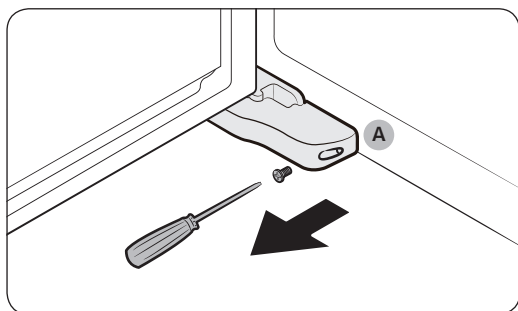
7. Suavemente levante la puerta en sentido vertical para retirarla. No use fuerza excesiva. La puerta puede caerse y provocarle lesiones.
8. Coloque la puerta en una superficie plana.
9. Repita los pasos anteriores para la otra puerta (excepto el paso 3). La puerta del lado derecho no tiene tubo de agua.

Instalación

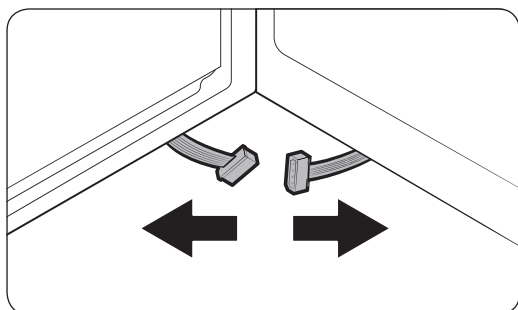
Cómo retirar las puertas del congelador

⚠ PRECAUCIÓN

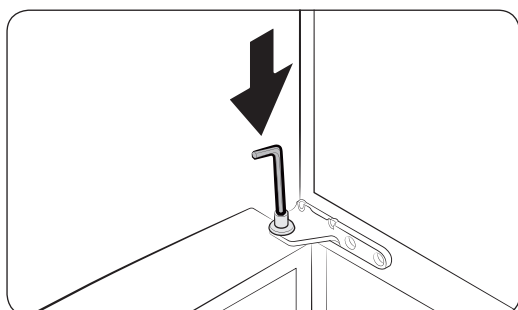
- Asegúrese de retirar las puertas del refrigerador antes de retirar las puertas del congelador.
- Tenga cuidado al desconectar los conectores inferiores.



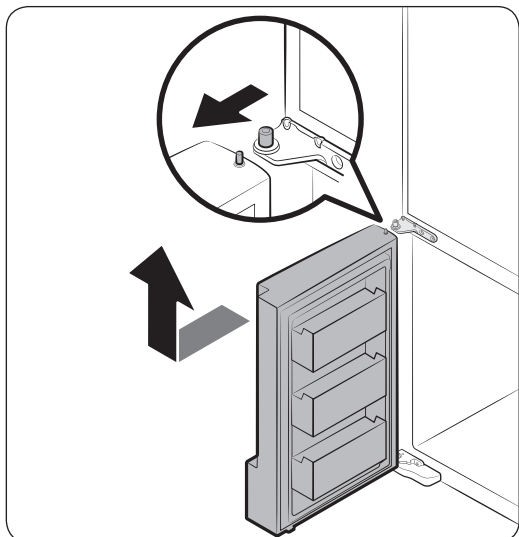
1. Con la puerta del congelador abierta, use un destornillador Philips para retirar el tornillo sosteniendo la **cubierta (A)** de la pata ajustable.



2. Desconecte los conectores de cables.



3. Ubique el eje de la bisagra. Mientras sostiene la puerta con una mano, utilice un destornillador plano o llave para presionar el eje hacia abajo. Asegúrese de sostener la puerta para evitar que se caiga.

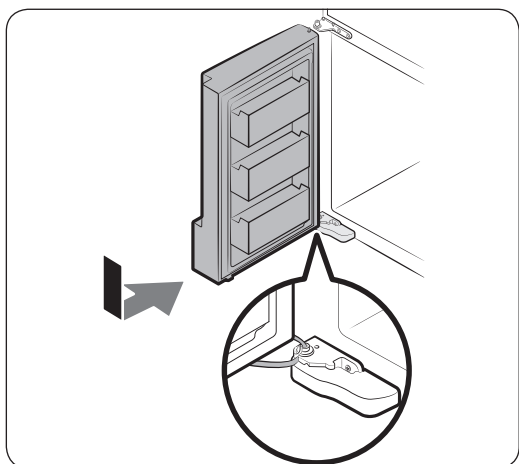


4. Para evitar el contacto con la bisagra central, incline levemente la puerta hacia el frente y luego levántela para retirarla.
5. Repita los pasos anteriores para la otra puerta.

Cómo colocar nuevamente las puertas del congelador

⚠ PRECAUCIÓN

- Antes de colocar nuevamente las puertas, asegúrese de que todos los conectores eléctricos estén conectados adecuadamente.
- La puerta del congelador debe colocarse nuevamente antes la puerta del refrigerador.
- Tenga cuidado de no dañar ni pisar los cables durante este proceso.

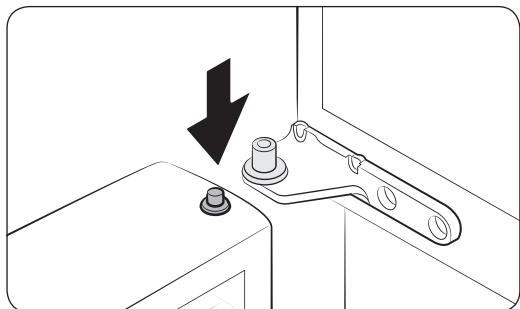


1. Inserte la puerta del congelador en la bisagra inferior mientras empuja la puerta del congelador en la dirección de la flecha.

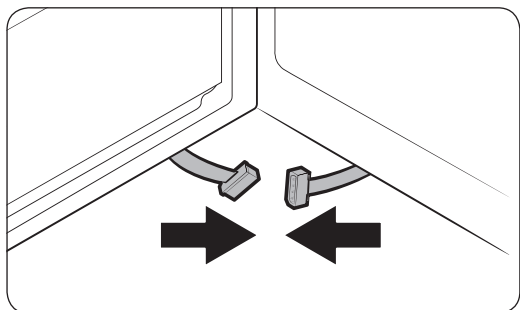
⚠ PRECAUCIÓN

- Tenga cuidado de no dañar ni pisar los cables durante este proceso.

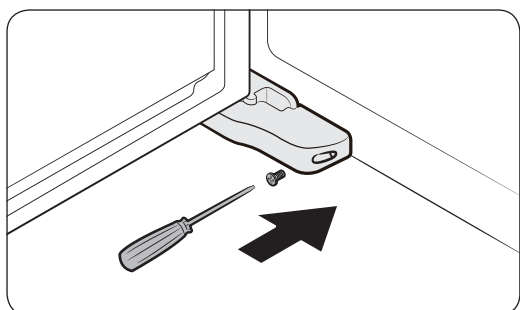
Instalación



2. Mientras mantiene presionado el eje de la bisagra, coloque la puerta de manera que el eje de la bisagra quede por debajo del orificio del eje de la bisagra del medio. Suelte el eje de la bisagra para que entre en el orificio.

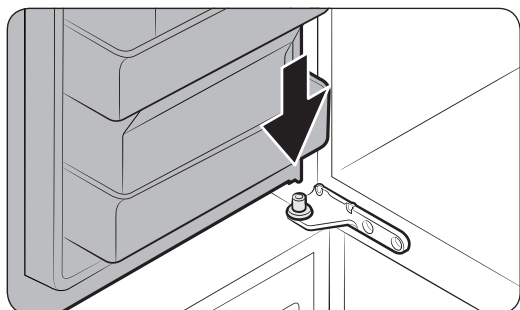


3. Con la puerta abierta, conecte los conectores inferiores en las direcciones de las flechas.

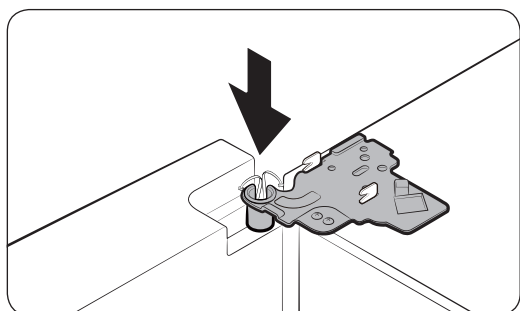


4. Coloque la cubierta de la pata de nivelación con un destornillador Phillips. Tenga cuidado de no dañar ni pisar los conectores.
5. Repita los pasos anteriores para la otra puerta.

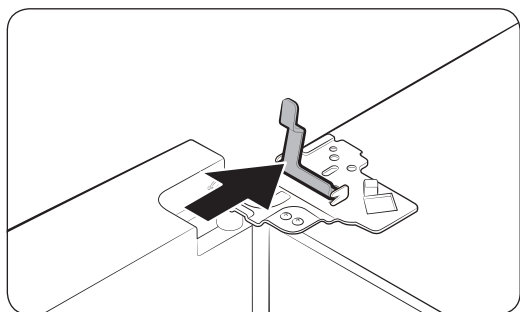
Cómo colocar nuevamente las puertas del refrigerador



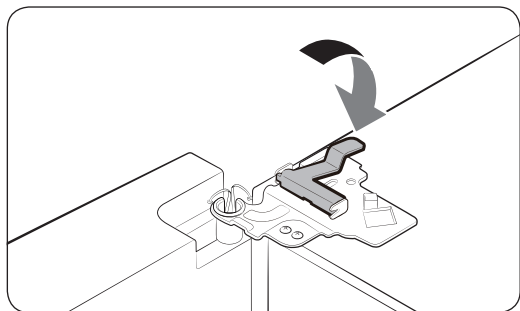
1. Mientras sostiene la puerta abierta a más de 90 grados, inserte el eje de la bisagra del medio en el orificio de la parte inferior de la puerta.



2. Coloque la bisagra superior en su posición en la parte superior del refrigerador y luego inserte el eje de la bisagra en el orificio superior de la puerta. Asegúrese de que los cables de la puerta pasen a través del orificio del eje de la bisagra.

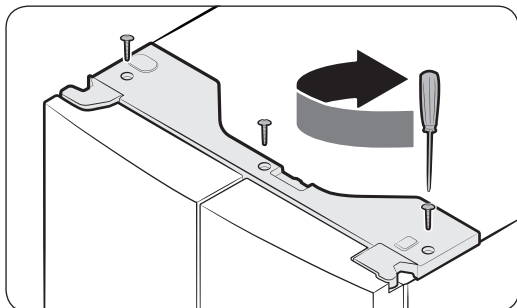
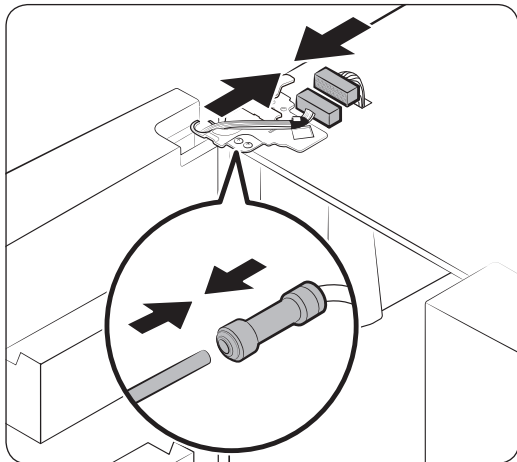


3. Inserte la abrazadera en la dirección de la flecha.



4. Lleve la abrazadera hacia atrás como se ilustra.

Instalación



5. Conecte los conectores de cables.

⚠ PRECAUCIÓN

- Asegúrese de que los conectores de cables estén conectados adecuadamente. De lo contrario, el visor no funcionará.

6. Conecte el tubo de agua.

⚠ PRECAUCIÓN

- Para evitar pérdidas de agua, asegúrese de que las grapas rojas ajusten el acoplador adecuadamente.
- Mantenga las grapas fuera del alcance de los niños.

7. Repita los pasos anteriores para la otra puerta, excepto el paso 6. En la puerta del lado derecho no hay tubo de agua.

8. Coloque la cubierta superior con el lado frontal primero y luego presione la parte posterior hasta alcanzar su posición. Luego, ajuste los tornillos (x3).

Instalación paso a paso

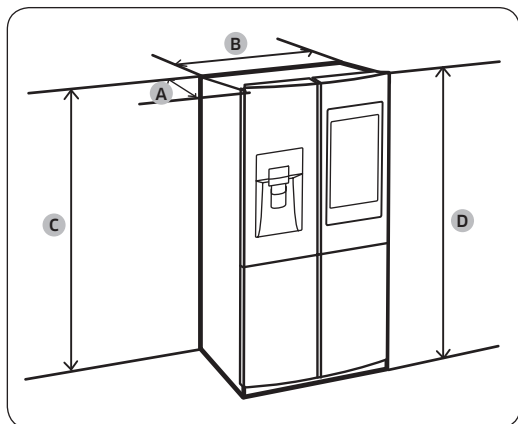
PASO 1 Seleccione un lugar

El lugar debe:

- Tener una superficie sólida, nivelada sin alfombrado ni pisos que puedan obstruir la ventilación
- Estar fuera del alcance de la luz solar directa
- Contar con el lugar adecuado para abrir y cerrar la puerta
- Estar alejado de las fuentes de calor
- Contar con lugar para realizar mantenimiento y reparaciones
- Contar con un rango de temperatura de entre 50 °F (10 °C) y 110 °F (43 °C)

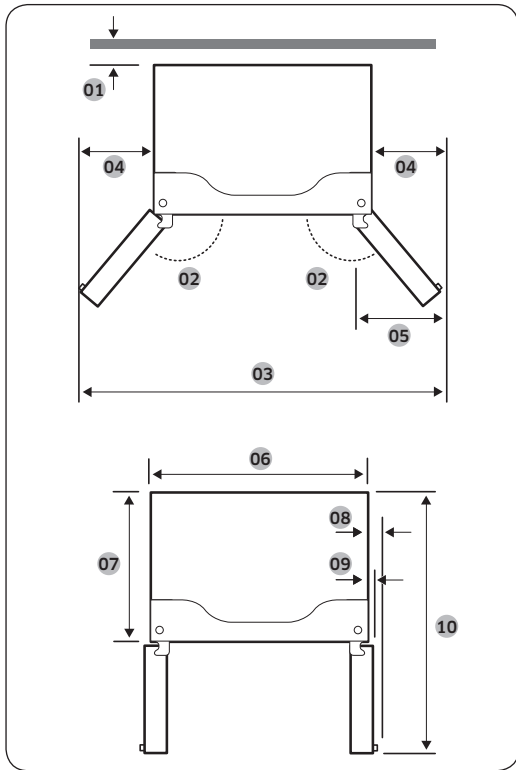
Espacio libre

Consulte las imágenes y la tabla que aparecen a continuación y en la siguiente página para conocer los requisitos de espacio de instalación.



Modelo	RF22K*	RF28K*
Profundidad "A"	28 ⁷ / ₈ " (733 mm)	34 ¹ / ₄ " (871 mm)
Ancho "B"	35 ³ / ₄ " (908 mm)	35 ³ / ₄ " (908 mm)
Altura "C"	70 ³ / ₄ " (1797 mm)	70 ³ / ₄ " (1797 mm)
Altura total "D"	71 ⁷ / ₈ " (1825 mm)	71 ⁷ / ₈ " (1825 mm)

Instalación

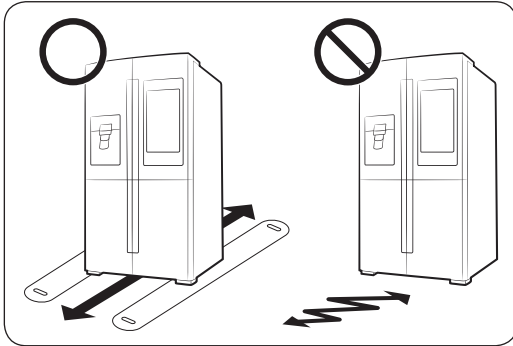


	RF22K*	RF28K*
01	2" (50 mm)	2" (50 mm)
02	125°	125°
03	59 5/8" (1515 mm)	59 5/8" (1515 mm)
04	11 7/8" (303 mm)	11 7/8" (303 mm)
05	12" (305 mm)	12" (305 mm)
06	35 3/4" (908 mm)	35 3/4" (908 mm)
07	24" (610 mm)	29 3/8" (748 mm)
08	2 3/4" (70 mm)	2 3/4" (70 mm)
09	1 3/4" (43 mm)	1 3/4" (43 mm)
10	42 5/8" (1083 mm)	48 1/8" (1221 mm)

NOTA

Las medidas de su refrigerador pueden diferir de las que figuran anteriormente, dependiendo el método de medición.

PASO 2 Piso



- La superficie del lugar de instalación debe soportar un refrigerador completamente cargado.
- A fin de proteger el piso, coloque un trozo de cartón debajo de las patas del refrigerador al moverlo para realizar la instalación.
- Para proteger el piso una vez que el refrigerador esté en su posición final, no lo mueva a menos que sea necesario. Si debe hacerlo, utilice un papel grueso o tela, como una alfombra vieja, en el recorrido por el que se lo desplazará.

NOTA

Si el refrigerador no pasa por la entrada de su casa o cocina por su tamaño, consulte **Extracción de la puerta para la entrada** en la página 17.

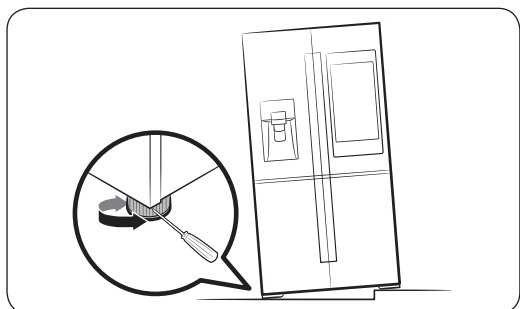
Instalación

PASO 3 Ajuste las patas de nivelación

⚠ PRECAUCIÓN

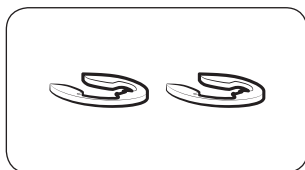
- Una vez instalado, el refrigerador debe estar nivelado sobre un piso plano y sólido. No nivelar el refrigerador puede provocar daños al refrigerador o lesiones personales.
- La nivelación debe realizarse con el refrigerador vacío. Asegúrese de que no haya alimentos dentro del refrigerador.
- Por razones de seguridad, ajuste la parte delantera de manera que quede más elevada que la parte trasera.

Puede nivelar el refrigerador con las patas delanteras. Las patas delanteras tienen un tornillo especial (nivelador) para realizar la nivelación. Utilice un destornillador plano para realizar la nivelación.



- Para ajustar la altura del lado izquierdo: Inserte un destornillador plano en el nivelador de la pata delantera del lado izquierdo. Gire el nivelador en el sentido de las agujas del reloj para elevarlo o en el sentido contrario para bajarlo.
- Para ajustar la altura del lado derecho: Inserte un destornillador plano en el nivelador de la pata delantera del lado derecho. Gire el nivelador en el sentido de las agujas del reloj para elevarlo o en el sentido contrario para bajarlo.

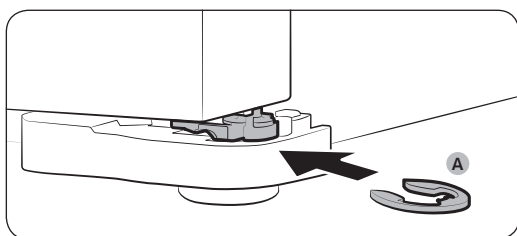
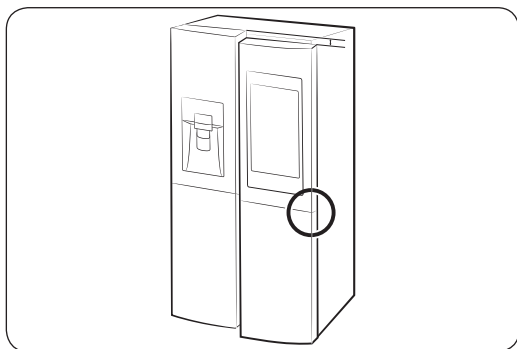
PASO 4 Ajustar la altura de la puerta así como también el espacio de la puerta



Anillo elástico

Es posible ajustar la altura de la puerta mediante los anillos elásticos provistos que vienen en 4 tamaños diferentes (1 mm, 1.5 mm, 2 mm y 2.5 mm).

Para ajustar la altura de una puerta



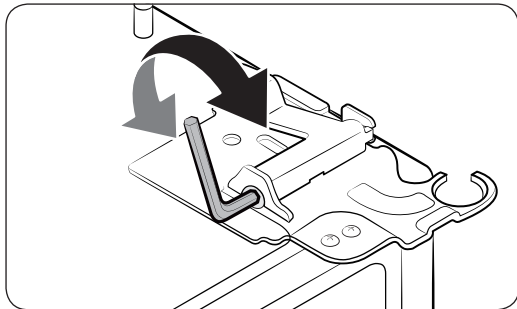
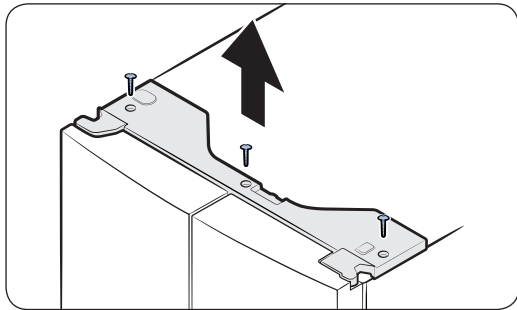
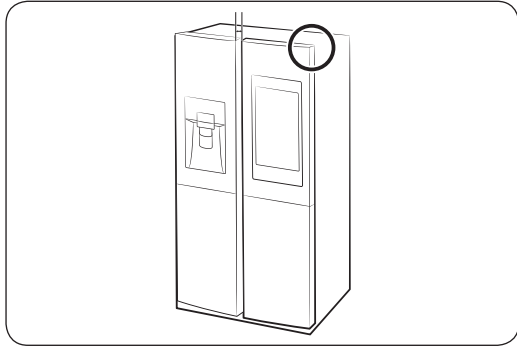
1. Controle la diferencia de altura entre las puertas y luego eleve y sostenga la puerta más baja.
2. Inserte un **anillo elástico (A)** del tamaño adecuado entre la puerta y la bisagra como se ilustra.

⚠ PRECAUCIÓN

- Inserte solo un anillo elástico con este fin. Colocar dos o más anillos elásticos puede hacer que se deslicen o hagan ruido por el rozamiento.
- Mantenga los anillos elásticos fuera del alcance de los niños y consérvelos para uso futuro.
- No eleve la puerta en demasía. La puerta puede entrar en contacto y dañar la cubierta superior.

Instalación

Para corregir el espacio de la puerta



El espacio entre las puertas puede corregirse mediante un tornillo separador colocado en el ángulo superior derecho del refrigerador.

1. Con la puerta cerrada, use un **destornillador Philips** para extraer los 6 tornillos de la cubierta superior con los conectores de cables.
2. Con una **llave Allen** de 4 mm (no provista) para corregir el espacio entre las puertas.
 - Para ampliar el espacio, gire el tornillo separador en el sentido de las agujas del reloj.
 - Para achicar el espacio, gire el tornillo separador en el sentido contrario al de las agujas del reloj.
3. Una vez finalizado, inserte nuevamente la cubierta superior.

PRECAUCIÓN

Los conectores eléctricos deben permanecer intactos durante este proceso. Tenga la precaución de no enredar los cables conectores ni pelar el recubrimiento.

PASO 5 Conectar la tubería del dispensador de agua

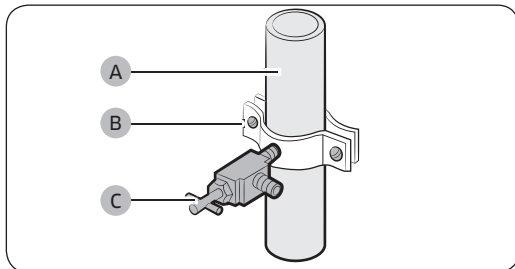
El dispensador de agua con filtro es una de las funciones útiles de su nuevo refrigerador. Con el fin de promover la buena salud, el filtro de agua elimina las partículas no deseadas del agua. No obstante, no la esteriliza ni destruye los microorganismos. Para eso, necesita adquirir un sistema de purificación de agua. La tubería del agua también se conecta a la fábrica de hielo. Para que la fábrica de hielo funcione correctamente, se necesita una presión de agua de 20-125 psi.

Si el refrigerador se instala en una zona con baja presión de agua (inferior a los 20 psi), puede instalar una bomba cebadora para compensar la baja presión.

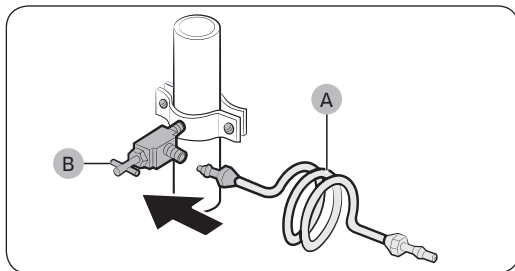
Una vez conectada la tubería de agua, asegúrese de que el tanque de almacenamiento de agua dentro del refrigerador esté lleno. Para hacerlo, presione la palanca del dispensador hasta que salga el agua.

NOTA

- Su distribuidor podrá ofrecerle los equipos de instalación de tuberías de agua disponibles a un costo adicional. Recomendamos utilizar un equipo de instalación de tubería de agua que contenga tubería de cobre y una tuerca de compresión de 6 mm (1/4").
- Utilice solo las mangueras nuevas provistas con el electrodoméstico. No reutilice las mangueras antiguas.



1. Cierre el suministro de agua principal.
2. Inserte la abrazadera (B) y la válvula de cierre (C) en la tubería de agua fría (A).



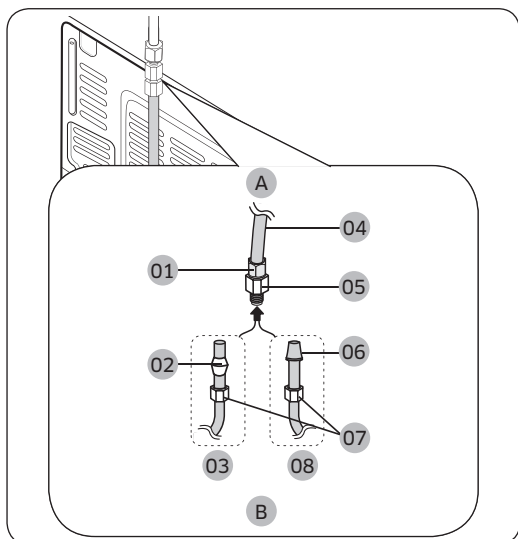
3. Conecte el equipo de instalación de la tubería de agua (A) a la válvula de cierre (B).

Instalación

Conecte la tubería de suministro de agua al refrigerador

Para llevar a cabo la conexión, necesita adquirir varios elementos. Posiblemente su ferretería local los venda todos juntos en un equipo.

Tubería de cobre	<ul style="list-style-type: none">• Tubería de cobre de 1/4"• Tuerca de compresión de 1/4" (1)• Fécula (2)
Tubería de plástico	<ul style="list-style-type: none">• Tubería de plástico de 1/4" → Extremo moldeado (bulbo)• Tuerca de compresión (1) de 1/4"



- A. Refrigerador
- B. Tubería de suministro del agua corriente
- 01 Tuerca de compresión (1/4") (ensamblada)
- 02 Fécula (No provista)
- 03 Tubería de cobre (no provista)
- 04 Tubería de plástico (ensamblada)
- 05 Acople de compresión (ensamblado)
- 06 Extremo moldeado (bulbo)
- 07 Tuerca de compresión (B) (1/4") (no provista)
- 08 Tubería de plástico (A) (no provista)

1. Conecte la tubería de agua corriente al acople de compresión ensamblado.
 - Si utiliza una tubería de cobre, deslice la **tuerca de compresión (B)** (no provista) y la **fécula** (no provista) por la tubería de cobre (no provista) como se muestra en el gráfico.
 - Si utiliza una tubería de plástico (A), inserte el extremo moldeado (bulbo) de la tubería de plástico (A) en el acople de compresión.

⚠ PRECAUCIÓN

Si utiliza una tubería plástica, (A) no la use sin el extremo moldeado (Lámpara).

2. Ajuste la **tuerca de compresión (B)** sobre el **acople de compresión**. No ajuste demasiado la **tuerca de compresión (B)**.
3. Abra el agua y verifique si hay alguna fuga. Si encuentra gotas o fugas de agua en las zonas de las conexiones, cierre el suministro de agua principal. Revise las conexiones y, de ser necesario, ajústelas.
4. Haga correr 1 galón de agua a través del filtro antes de beber o de utilizar el agua del refrigerador. (El agua debe correr unos 6 minutos.) Para hacer correr el agua, presione la palanca del dispensador de agua con un vaso o una taza grandes. Llene el vaso, vacíelo y luego repita la operación.

-
5. Tras poner en funcionamiento el refrigerador, deje que la fábrica de hielo haga hielo durante 1 o 2 días. Pasado este tiempo, deseche las primeras 1 o 2 cubetas de hielo para asegurarse de que se hayan eliminado todas las impurezas de la tubería de agua.

NOTA

Conecte solamente la tubería de agua a una fuente de agua potable.

- Si debe reparar o desensamblar la tubería de agua, recorte $\frac{1}{4}$ " de la tubería de plástico para asegurarse de que la conexión sea perfecta y libre de pérdidas.
- Puede probar rápidamente la tubería del agua con un vaso de papel. En condiciones normales, el dispensador de agua puede llenar un vaso de 5 $\frac{3}{4}$ oz. (170 cc) en aproximadamente 10 segundos.

PASO 6 Configuración inicial

Después de finalizar los siguientes pasos, refrigerador quedará en perfectas condiciones de funcionamiento.

1. Enchufe el cable de alimentación al tomacorriente para encender el refrigerador.
2. Abra la puerta y verifique que la luz interna se encienda.
3. Coloque la temperatura en el valor más frío y espere una hora. Luego, el congelador comenzará a enfriarse y el motor funcionará adecuadamente.
4. Espere a que el refrigerador llegue a la temperatura configurada. Ahora el refrigerador está listo para usar.

PASO 7 Verificación final

Una vez finalizada la instalación, confirme que:

- El refrigerador esté enchufado al tomacorriente y correctamente conectado a tierra.
- El refrigerador esté instalado sobre una superficie plana y nivelada con un espacio libre adecuado con respecto a la pared o el gabinete.
- El refrigerador esté nivelado y apoyado firmemente en el piso.
- La puerta se abre y cierra libremente y la luz interior se enciende automáticamente al abrir la puerta.

Funcionamiento

Interfaz del usuario

NOTA

- Para obtener una información detallada de las funciones y aplicaciones del refrigerador, consulte el manual de usuario en pantalla disponible en el visor LCD de su refrigerador.
- El contenido de las aplicaciones y widgets, así como su diseño, están sujetos a modificaciones. El soporte técnico para aplicaciones y widgets puede interrumpirse sin aviso dependiendo de la política del proveedor de contenidos.
- Las transacciones con algunos servicios por parte de menores de edad deben ser supervisadas por adultos.



01 Pantalla de Inicio

02 Barra de tareas

01 Pantalla de Inicio



01 Aplicaciones y widgets

- Toque la aplicación o el widget deseado para iniciarlo.
- Mantenga presionada la aplicación o el widget para ingresar al modo de edición. Aparece una cuadrícula. En el modo de edición, puede arrastrar y soltar una aplicación o un widget en la nueva ubicación de la cuadrícula. Cuando desplaza una aplicación o un widget a la nueva ubicación de la cuadrícula, la ubicación se vuelve azul si está disponible. Si no está disponible, se vuelve roja.

02 Barra de estado

- **Bluetooth** (📶): Indica el estado de la conexión Bluetooth.
 - **USB** (📁): Indica el estado de la conexión USB.
- 📄 NOTA**
El refrigerador admite memorias USB con el formato del sistema de archivos FAT32 o exFAT. No se admite NTFS. Asegúrese de convertir NTFS a FAT32 o exFAT antes del uso.
- **Red** (📶): Indica el estado de la conexión de red en 5 niveles (Apagado, 1 a 4)

Funcionamiento

02 Barra de tareas



01 Micrófono	Toque para activar o desactivar la función de reconocimiento de voz. El ícono del micrófono se pone rojo cuando está apagado.
02 Menú	Toque para mostrar los menús disponibles.
03 Inicio	<ul style="list-style-type: none">• Toque para abrir la pantalla de Inicio.• Mantenga presionado para abrir el Administrador de tareas. Consulte la sección Administrador de tareas para obtener más detalles.
04 Regresar	Toque para regresar a la pantalla anterior.
05 Notificación	Toque para mostrar el Panel rápido.

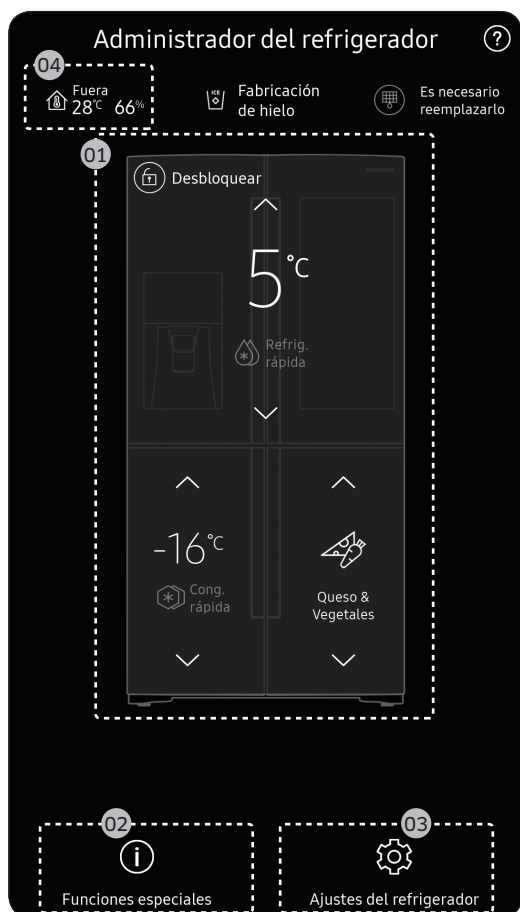
Administrador del refrigerador

Para acceder a Administrador del refrigerador, deslice el dedo por la pantalla de Inicio hacia la izquierda y luego toque el widget **Administrador del refrigerador**.



- En el widget Administrador del refrigerador, se muestran las temperaturas actuales del refrigerador y del congelador, así como las funciones especiales activas.
- Para ver ajustes detallados, toque el widget para abrir el Administrador del refrigerador.

Funcionamiento



El Administrador del refrigerador es una representación gráfica de su refrigerador. La mitad superior representa el compartimiento del congelador, la parte inferior izquierda el compartimiento del congelador y la parte inferior derecha la FlexZone. Los ajustes de temperatura o modo de cada una se muestran en la sección correspondiente. Descripción breve del Administrador del refrigerador

01 Temperatura

Cambiar la temperatura del Refrig, Congel y FlexZone™. También permite encender o apagar la función Refrigeración rápida del refrigerador y la función Congelación rápida del congelador.

- La congelación rápida acelera el proceso de congelación con la velocidad máxima del ventilador. El congelador funciona a máxima velocidad durante varias horas antes de volver a la temperatura previa.
- Para congelar una gran cantidad de alimentos, active la función Congelación rápida como mínimo 20 horas antes de poner alimentos en el congelador.

NOTA

Utilizar la Congelación rápida aumenta el consumo energético. Asegúrese de apagarlo y volver a la temperatura anterior si no tiene intenciones de utilizarlo.

02 Funciones especiales

Ver una breve explicación de algunas funciones especiales del refrigerador.

03 Ajustes del refrigerador

Cambiar muchos de los ajustes del refrigerador, incluidos los de Fabricación de hielo, Alarma de la puerta y unidad de temperatura (°F o °C). Vea la página siguiente para más detalles.

04 Condiciones externas

Muestra la temperatura y la humedad externas (ambiente).


NOTA

Las condiciones mostradas pueden diferir de la temperatura y la humedad real.



NOTA

También se muestra el indicador **Hielo desactivado** (fabricación de hielo desactivada) en el centro de la parte superior. Cuando el indicador muestra **Hielo desactivado**, la fabricación de hielo de refrigerador se apaga.

Fabricación de hielo	Activa y desactiva la fabricación de hielo. Toque y arrastre el botón para activar o desactivar. Tenga en cuenta que si la cubeta de hielo está llena, el refrigerador no comienza a fabricar hielo cuando se presiona este botón (encendido de la máquina de hielo), pero muestra el indicador de Hielo desactivado en la pantalla principal.
Bloqueo del dispensador	Activa y desactiva los dispensadores de hielo y agua. Toque y arrastre el botón para activar o desactivar.
Alarma de la puerta	La alarma de la puerta suena si se deja la puerta abierta. Toque y arrastre el botón para activar o desactivar.
Unidad de Temperatura	Cambiar la unidad de temperatura entre Celsius y Fahrenheit. Toque °F o °C para cambiar la unidad de temperatura.
Filtro	<p>Proporciona un tutorial sobre el reemplazo del filtro de agua y permite restablecer el indicador de reemplazo del mismo. Toque para abrir.</p> <p> NOTA</p> <p>Después de instalar el filtro de agua por primera vez, toque Filtro, y luego toque REST. Al tocar REST se inicializa el tiempo restante hasta el próximo cambio de filtro de agua.</p>
Autoverificación	La autoverificación es una función de diagnóstico. Toque para abrir. Toque INICIO para ejecutar.
Respuesta a la demanda	Funciona con el administrador de ahorro de energía de Smart Grid. Toque para abrir. Toque y arrastre el botón para activar o desactivar. Consulte la sección Smart Grid de este manual para obtener más información.
Enfriamiento desactivado	<p>El modo Enfriamiento desactivado (también llamado modo Tienda), está diseñado para que lo usen los distribuidores cuando exhiben los refrigeradores en las tiendas.</p> <p>En el modo Enfriamiento desactivado, el motor del ventilador del refrigerador y las luces funcionan normalmente, pero los compresores no lo hacen, por lo tanto, el refrigerador y el congelador no se enfrían. Si Enfriamiento desactivado está activado, todos los controles de enfriamiento se apagarán en el Administrador del refrigerador.</p> <p>Toque y arrastre el botón para activar o desactivar.</p>



Funcionamiento

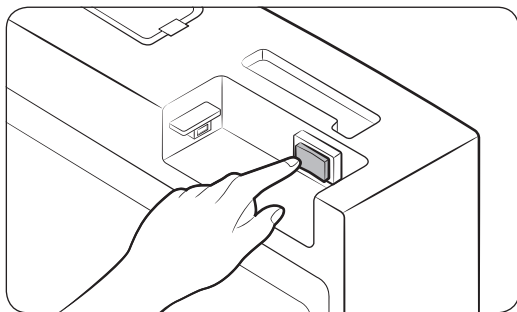
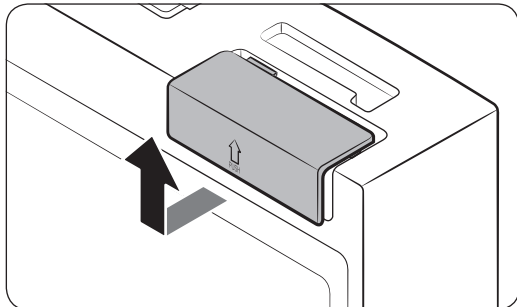
Ajustes

Visor	<ul style="list-style-type: none">• Puede ajustar el brillo de la pantalla, el despertador automático de la pantalla y el protector de pantalla, incluyendo el tema y la duración.
Volumen	<ul style="list-style-type: none">• Ajuste el volumen y active o desactive el tono de las teclas y la respuesta del teclado.
Wi-Fi	<ul style="list-style-type: none">• Encienda o apague una conexión Wi-Fi. La red de Wi-Fi actual aparece primera en la lista de puntos de acceso (PA)• Para agregar un PA, presione Menú en la barra de tareas y, luego, agregue el PA con Wi-Fi encendido.
Bluetooth	<ul style="list-style-type: none">• Se muestra una lista de hasta 4 dispositivos Bluetooth emparejados recientemente.• Para agregar un nuevo dispositivo, primero desempareje el dispositivo emparejado desde la lista de dispositivos.• Los dispositivos disponibles son audífonos, auriculares y altavoces compatibles con Bluetooth.
Fecha y hora	<ul style="list-style-type: none">• Asegúrese de que la función Automatic Time Update (Actualización automática de hora) esté encendida con una conexión de red Wi-Fi adecuada. Abra la puerta del refrigerador y localice el botón para restablecer la pantalla en el lado interno de la puerta. Presione el botón y vuelva a presionarlo para restablecer la pantalla. Luego, la fecha y la hora se sincronizarán desde el servidor horario.• Puede cambiar la zona horaria mediante el menú Zona horaria.
Idioma	<ul style="list-style-type: none">• Seleccione el idioma preferido. Los idiomas disponibles dependen de la región de venta.
Más información acerca de Family Hub	<ul style="list-style-type: none">• Toque Más información acerca de Family Hub para abrir la aplicación en el modo de demostración. Esta aplicación le guiará a través de una amplia variedad de menús y funciones de Family Hub divididos en tres grandes categorías: Comunicación familiar, Gestión de alimentos y Entretenimiento.
Manual en línea	<ul style="list-style-type: none">• El manual en línea le guía por distintos menús y aplicaciones que el refrigerador proporciona directamente en el visor.
Acerca del dispositivo	<ul style="list-style-type: none">• Asegúrese de que la función Actualización de software esté encendida con una conexión de red Wi-Fi adecuada.• Cuando hay actualizaciones disponibles, se activa el botón ACTUALIZAR. Una vez finalizadas las actualizaciones, el refrigerador se reinicia automáticamente.• La información legal muestra el acuerdo de licencia de código abierto. Toque el elemento de la lista para abrir el aviso de licencia de código abierto.
Easy Connection	<ul style="list-style-type: none">• Easy Connection se puede utilizar con las aplicaciones de los teléfonos inteligentes Samsung y le permite conectar su dispositivo a la misma red Wi-Fi a la que está conectado el teléfono.

Autenticación del dispositivo	<ul style="list-style-type: none"> • Autenticación del dispositivo se puede utilizar con las aplicaciones de Samsung Smart TV donde la información de privacidad del refrigerador se puede compartir con el televisor. • La disponibilidad de esta función depende del modelo del dispositivo.
Restablecimiento de los datos de fábrica	<ul style="list-style-type: none"> • Toque Rest para reiniciar el refrigerador en el modo de restablecimiento de los datos de fábrica. Todos los datos de usuario se eliminarán de forma permanente. Los datos a eliminar incluyen: información de cuenta, memos, fotos y ajustes del usuario. <p>⚠ PRECAUCIÓN</p> <p>Una vez finalizado el restablecimiento de fábrica, no se podrán recuperar los datos de usuario.</p>

Restablecimiento del visor (solo para los modelos correspondientes)

Si el visor no funciona correctamente, restablézcalo. Esto podría resolver el problema.



1. Abra la puerta derecha del refrigerador y localice la cubierta del interruptor en la esquina superior derecha de la puerta.
2. Empuje hacia arriba la cubierta para revelar el interruptor de encendido.
3. Apague el interruptor y vuelva a encenderlo.
4. Vuelva a colocar la cubierta del interruptor hacia el final hasta oír un clic.

Funcionamiento

Samsung Smart Home

Instalación

Visite la tienda Google Play, Galaxy Apps o Apple App y busque "Samsung Smart Home". Descargue e instale la aplicación Samsung Smart Home provista por Samsung Electronics en su dispositivo inteligente.

NOTA

- La aplicación Samsung Smart Home se ha diseñado para Android 4.0 (ICS) o superior o iOS 7.0 o superior y está optimizada para teléfonos inteligentes Samsung (series Galaxy S y Galaxy Note).
- Para obtener un desempeño mejorado, la aplicación Samsung Smart Home estará sujeta a cambios sin previo aviso o interrupción del soporte según la política del fabricante
- Los sistemas de encriptación recomendados incluyen WPA/TKIP y WPA2/AES. No se admiten protocolos de autenticación Wi-Fi más nuevos o no estándar.
- Las redes inalámbricas pueden verse afectadas por los entornos de comunicación inalámbrica circundantes.
- Si su proveedor de servicios de Internet ha registrado la dirección MAC de su computadora o módem para identificación, su Samsung Smart Refrigerator puede dar error al conectarse a Internet. Si esto ocurre, comuníquese con su proveedor de servicios de Internet para recibir asistencia técnica.
- La configuración de firewall de su sistema de red puede impedir que su Samsung Smart Refrigerator acceda a Internet. Comuníquese con su proveedor de servicios de Internet para recibir asistencia técnica. Si el síntoma persiste, comuníquese con un centro de servicios Samsung local o el minorista.
- Para configurar el punto de acceso (PA) inalámbrico, consulte el manual de usuario del PA:
- Los Samsung Smart Refrigerators son compatibles con Wi-Fi 2.4 GHz con los protocolos IEEE 802.11 b/g/n y Soft-AP. (Se recomienda IEEE 802.11 n.)
- Los enrutadores Wi-Fi no autorizados pueden no conectarse con los Samsung Smart Refrigerators correspondientes.



Cuenta Samsung

Debe registrar su cuenta Samsung para utilizar la aplicación. Si no tiene una cuenta Samsung, siga las aplicaciones en pantalla de la aplicación para crear una cuenta Samsung.

Cómo comenzar

1. Ejecute la aplicación Samsung Smart Home y luego inicie sesión con su cuenta Samsung. Los usuarios de iPhone deben proporcionar los datos de ingreso cada vez que accedan a la aplicación.
2. Acceda a **Device (Dispositivo)** > el ícono + y luego toque **Refrigerator (Refrigerador)**.
3. Siga las instrucciones que aparecen en pantalla para brindar la información necesaria acerca del enrutador y luego toque **Next (Siguiete)**.
4. En el visor del refrigerador, acceda a **Settings (Ajustes)** y luego seleccione **Easy Connection (Conexión fácil)**.
5. Después de completar el registro del dispositivo, el ícono del refrigerador aparecerá en la aplicación Samsung Smart Home.
6. Toque el ícono del refrigerador para abrir la página del refrigerador.

Aplicación del refrigerador

Control integrado

Puede supervisar y controlar su refrigerador en su casa y estando de viaje.

- Toque el ícono **Refrigerator (Refrigerador)** en Samsung Smart Home para abrir la página del refrigerador.
- Controle el estado de operación o las notificaciones de su refrigerador y luego modifique las opciones o parámetros si fuera necesario.

NOTA

Algunas opciones o paréntesis del refrigerador pueden no estar disponibles para el control remoto.



Funcionamiento

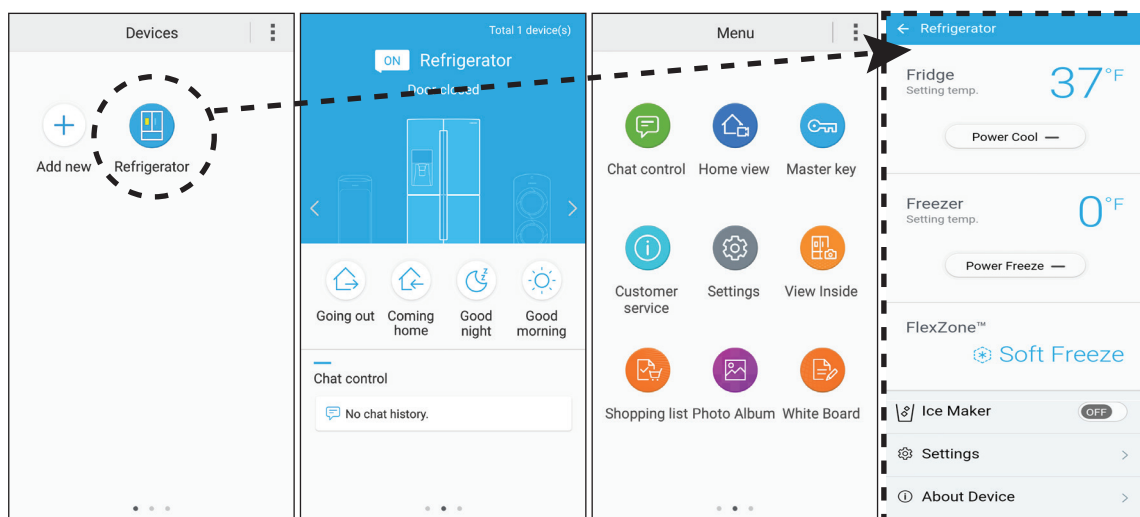
Funciones de aplicaciones claves

Registre los electrodomésticos inteligentes de Samsung en el servidor Samsung Smart Home para obtener acceso remoto.

Descripción general del menú de aplicaciones

NOTA

Para mejorar el desempeño y el diseño, el contenido de la aplicación Samsung Smart Home estará sujeta a cambios sin previo aviso.



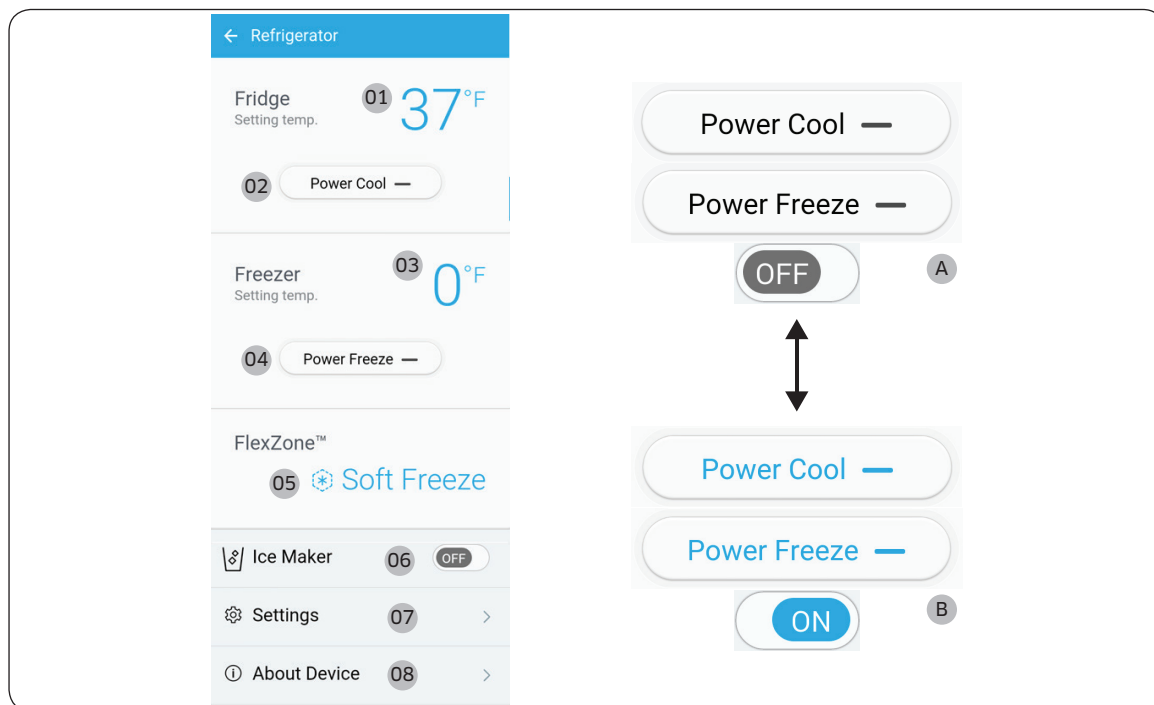
- Toque Refrigerator (Refrigerador) para abrir la página de ajustes del refrigerador.
- Deslice el dedo por la pantalla para pasar a la página siguiente.

Chat control (Control de comunicaciones)	Puede controlar sus dispositivos Samsung Smart Home en forma remota y controlar su estado de operación.
Home view (Vista de casa) (solo para los modelos correspondientes)	Al utilizar la cámara integrada de un dispositivo Samsung Smart Home, podrá supervisar su cocina. Esta función está disponible únicamente para los modelos correspondientes.
Master key (Llave maestra)	La llave maestra ha sido diseñada para controlar el sistema de bloqueos para las diferentes actividades del usuario como salir, llegar a casa, irse a dormir y despertarse por la mañana. Esta función está disponible únicamente para los modelos correspondientes.
Customer service (Atención al cliente)	Permite descargar el manual del usuario y proporciona información de contacto para atención al cliente.

Settings (Ajustes)	Puede controlar los dispositivos conectados así como también la información del software (versión y licencias de código abierto) y agregar dispositivos o seleccionar un país. Puede simular el funcionamiento del dispositivo actual para realizar una demostración.
View Inside (Ver interior)	Muestra la vista interior del refrigerador tomando una fotografía de este o recibiendo la lista de alimentos creada por el usuario.
Shopping List	La Shopping List muestra la lista de la compra creada por el usuario.
Photo Album (Álbum de fotos)	Puede mandar fotos del Photo Album (Álbum de fotos) del refrigerador al teléfono inteligente, o viceversa.
White Board (Pizarrón blanco)	Cree un nuevo memo de pizarrón blanco usando el White Board (Pizarrón blanco) del refrigerador y enviarlo al teléfono inteligente, o viceversa.

Funcionamiento

Ajustes del refrigerador

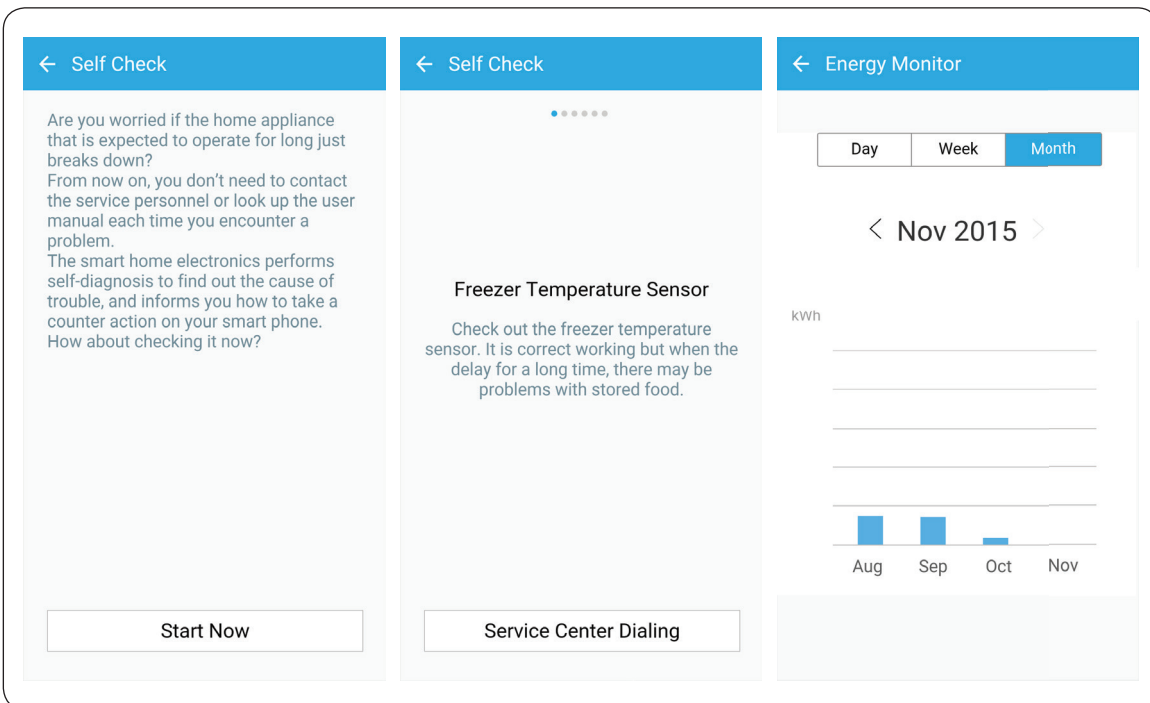


A: Desactivado (negro)

B: Activado (azul)

Fridge (Refrig)	<p>01 Muestra la temperatura configurada actualmente del refrigerador.</p> <p>02 Puede encender o apagar Power Cool (Refrigeración rápida) y ver la configuración actual.</p> <p>La función Power Cool (Refrigeración rápida) baja la temperatura del refrigerador y acelera el proceso de enfriamiento. En el modo Power Cool (Refrigeración rápida), el refrigerador funciona al máximo durante varias horas y regresa al funcionamiento normal a la temperatura establecida anteriormente.</p>
Freezer (Congel)	<p>03 Muestra la temperatura configurada actualmente del congelador.</p> <p>04 Puede encender o apagar Power Freeze (Congelación rápida) y ver la configuración actual.</p> <p>Power Freeze (Congelación rápida) baja la temperatura y acelera el proceso de congelación. En el modo Power Freeze (Congelación rápida), el congelador funciona al máximo durante varias horas y regresa al funcionamiento normal a la temperatura establecida anteriormente.</p>
FlexZone™	<p>05 Muestra el ajuste de modo actual.</p>

Ice Maker (Fábrica de hielo)	06 Puede encender o apagar Ice Maker (Fábrica de hielo) y ver la configuración actual así como el estado de la fabricación de hielo.
------------------------------	---



Settings (Ajustes)	07 En la pantalla de ajustes puede supervisar el estado del uso de energía de su refrigerador en el formato que prefiera. Los formatos admitidos son informes diarios, semanales o mensuales del consumo de energía acumulativa que cubren como máximo los últimos 180 días.
About Device (Acerca del dispositivo)	08 Muestra la información del producto, que incluye la versión actual de software, un tutorial, la función de autoverificación y la función de mesa de ayuda. Permite descargar el manual del usuario y proporciona información de contacto para atención al cliente. Self Check (Autoverificación) Al acceder a la autoverificación, podrá ver los resultados de la prueba diagnóstica de su refrigerador. Si el refrigerador detecta un problema, muestra información detallada del mismo que podrá utilizar el servicio técnico.

Funcionamiento

Función SMART GRID (respuesta a la demanda)

Cuando el refrigerador opera en modo SMART GRID (respuesta a la demanda), la función del refrigerador Energy Management (Gestión de energía) permite controlar el uso de energía o demorar algunas funciones para ahorrar dinero cuando el precio de la energía o la demanda son más elevados.

NOTA

- Se puede desactivar la función SMART GRID (respuesta a la demanda) en cualquier momento utilizando la función de activación/desactivación de la anulación.
- Para usar la función SMART GRID (respuesta a la demanda), se necesita un contrato aparte con la compañía de servicio eléctrico.

Además, para usar la función Smart Grid (respuesta a la demanda), debe registrar el servicio en su compañía de electricidad. La compañía debe tener un EMS (sistema de gestión de energía) compatible con SEP (perfil de energía inteligente).

Uso de la función SMART GRID (respuesta a la demanda)

Esta función controla los precios de la energía y la información de la demanda desde la compañía de servicio eléctrico y envía notificaciones al refrigerador para que ejecute tareas de alto consumo energético fuera de las horas pico cuando el costo y la demanda de la electricidad son menores.

Si el refrigerador recibe una señal de control de la compañía de servicio eléctrico, mostrará los niveles **DAL** (L3) ~ **TALR** (L4) en el visor del refrigerador y controlará el consumo energético de acuerdo con el nivel.

Condición de excepción: Las señales de control **DAL** y **TALR** de una compañía de servicio eléctrico funcionan mientras se mantiene el desempeño del producto.

Si el refrigerador recibe una señal SMART GRID (Respuesta de la demanda) (**DAL** o **TALR**), el refrigerador funcionará en modo Delay Appliance Load (Demora en la carga del aparato) o Temporary Appliance Load Reduction (Reducción temporal de la carga del aparato).

- Demora en la carga del aparato (L3): el refrigerador responde a una señal **DAL** proporcionando una reducción de carga moderada durante el periodo de demora. Esta función controla las funciones que consumen mucha energía, como el ajuste del sistema de enfriamiento, la ejecución del ciclo de descongelación y la fabricación de hielo.
 - El modo **DAL** se desactiva automáticamente pasado el periodo de tiempo establecido por la señal **DAL** (máx. 4.5 horas) o cuando se activa la función Override (Anular).
- Reducción temporal de la carga del aparato (L4): El refrigerador responde a una señal **TALR** reduciendo drásticamente la carga durante un corto periodo de tiempo. Esta función reduce el consumo de energía deteniendo el compresor y controlando las funciones que consumen mucha energía, como el ciclo de descongelación y la fabricación de hielo.)
 - El modo **TALR** (L4) se desactiva automáticamente pasado el periodo establecido (máx. 15 minutos) o cuando se activa la función Override (Anular). El modo se desactiva de inmediato y el refrigerador regresa al estado normal cuando la puerta se abre o cierra o se utiliza el dispensador.

Para verificar la dirección MAC

1. Toque el ícono **Ajustes** en la pantalla de Inicio.
2. Desplácese hacia abajo hasta **Acerca del dispositivo** y ábralo.
3. La pantalla muestra (entre otras cosas) la dirección MAC de Wi-Fi.

Modo de anulación

Cuando desee que el refrigerador ignore la señal SMART GRID (respuesta a la demanda) de la compañía de servicio eléctrico, puede activar el modo OVERRIDE (ANULAR).

Si activa el modo OVERRIDE (ANULAR), el refrigerador ignora la señal SMART GRID (respuesta a la demanda) y deja de estar controlado por la compañía de servicio eléctrico.

Activación y desactivación del modo de anulación

1. Toque el ícono **Administrador del refrigerador**.
2. En la parte inferior de la pantalla del administrador del refrigerador, toque el ícono **Ajustes del refrigerador**.
3. Toque **Respuesta a la demanda**.
4. Deslice el botón **Anulación de DAL/TALR** hasta la posición **ON** o **OFF**.

NOTA

- Como alternativa, puede activar o desactivar el modo OVERRIDE (ANULAR) mediante la aplicación Samsung Smart Home y la función Energy Management (Gestión de energía). Ver la página siguiente.

Funcionamiento

Uso de la función gestión de energía

La función Energy Management (Gestión de energía) permite controlar y supervisar el estado del refrigerador Energy Management mediante la aplicación Smart Home para su comodidad.

NOTA

- Para usar las funciones del refrigerador Energy Management (Gestión de energía), en primer lugar debe instalar la aplicación correspondiente.
1. Estado de funcionamiento
 - Puede verificar los estados de DR y de Anulación.
 2. Informe del consumo de energía
 - Muestra el consumo de energía acumulado. Los datos del consumo de energía se actualizan cada 1 hora.

NOTA

El informe del consumo de energía puede diferir de las especificaciones de consumo de energía del producto dependiendo del entorno de funcionamiento y de la cantidad y tipo de alimentos almacenados.

3. Capacidad de demora del descongelamiento
 - La función Capacidad de demora del descongelamiento ahorra energía demorando el descongelamiento hasta el tiempo especificado por el usuario. Se puede configurar el tiempo y esta función ahorrará energía durante el tiempo especificado en ciclos de 24 horas. Si no se establece la hora, funciona de acuerdo con la configuración de tiempo predeterminada. Las configuraciones de tiempo predeterminadas son las siguientes:
 - 6 am a 10 am: 1 de noviembre a 30 de abril.
 - 3 pm a 7 pm: 1 de mayo a 31 de octubre.

Para modificar la configuración de tiempo de la Capacidad de demora del descongelamiento

Puede cambiar la configuración de tiempo de la Capacidad de demora del descongelamiento en la aplicación.

Facilitación de acceso abierto a los requisitos del producto conectado

1. SGIP Open Standards (Smart Energy Profile 2.0 <http://www.csep.org/>)
 - Informe del consumo de energía
 - Respuesta a la demanda
2. Samsung OPEN API
 - Operational Status, User Settings & Messages
 - ICE Maker Status: GET /devices/0/fridge/iceMaker
 - Door Open Alarm: GET /devices/0/Door/openState
 - DR Status: GET /devices/0/drlc
 - Delay Defrost Capability
 - Set Schedule of the Defrost Delay: POST /devices/0/fridge/defrostreservations
 - Get Schedule of the Defrost Delay : GET /devices/0/fridge/defrostreservations
 - Delete Schedule of the Defrost Delay: DELETE /devices/0/fridge/defrostreservations/<<id>>
 - Defrost Delay On/OFF: PUT /devices/0/fridge

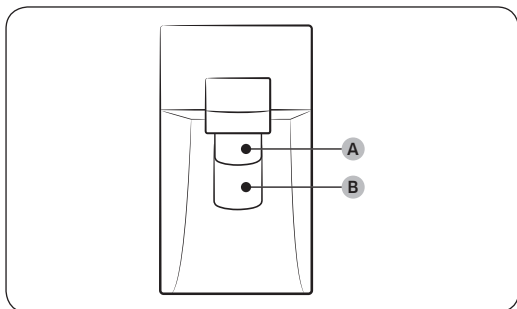
Funcionamiento

Funciones especiales

El refrigerador cuenta con diversas funciones útiles.

Dispensador de agua

Con el dispensador de agua, puede obtener agua sin abrir la puerta del refrigerador.



El dispensador de agua ofrece 3 opciones: agua fría, hielo en cubo y hielo triturado.

Si no desea dispensar agua, simplemente presione la **palanca de agua (B)**.

Con la fábrica de hielo habilitada,

1. presione para seleccionar un tipo de hielo.
2. Coloque un vaso para agua en la **palanca de hielo (A)** y presiónela. El dispensador dispensa hielo.
3. Si desea agua, coloque el vaso en la **palanca de agua (A)** y presiónela. El dispensador dispensa agua.

NOTA

- Para obtener hielo y agua, empuje primero la **palanca de hielo (A)** para obtener hielo y a continuación mueva el vaso hacia abajo y empuje la **palanca de agua (B)** para obtener agua.
- Si presiona ambas palancas al mismo tiempo, funcionará únicamente la palanca presionada en primer lugar.
- A fin de evitar derrames, espere 1 segundo antes de retirar el vaso después de llenarlo.
- Asegúrese de que el vaso esté alineado con el dispensador para evitar que el agua se derrame.
- Si no utiliza el dispensador de agua durante 2 o 3 días, el agua dispensada puede presentar un sabor u olor extraño. No se trata de una falla del sistema. Descarte los primeros 1 o 2 vasos de agua.

Fábrica de hielo

El refrigerador cuenta con una fábrica de hielo incorporada que dispensa hielo automáticamente para que pueda disfrutar de agua filtrada con hielo en cubos o triturado.

Fabricación de hielo

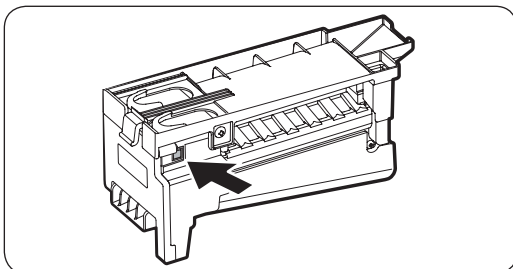
Una vez que haya instalado el refrigerador y lo haya enchufado, siga estas instrucciones a fin de asegurar la fabricación adecuada de hielo y de mantener la cubeta de hielo llena:

1. Permita que el refrigerador funcione durante al menos 24 horas sin dispensar hielo para asegurar un desempeño óptimo.
2. Sirva los primeros 4 a 6 cubos de hielo en un vaso.
3. Espere otras 8 horas y sirva otros 4 a 6 cubos de hielo.
4. Luego, espere otras 16 horas y sirva el primer vaso lleno de hielo.

NOTA

- Si consume todo el hielo de una vez, debe esperar 8 horas antes de servir los primeros 4 a 6 cubos. Esto garantiza que la cubeta de hielo se llene adecuadamente.
- Los cubos de hielo que se generan rápidamente pueden tener un aspecto blanquecino, lo cual es normal.

Diagnóstico



Si el hielo no sale, controle la fábrica de hielo.

Para controlar la fábrica de hielo

1. Presione **Prueba** sobre el lateral de la fábrica de hielo. Escuchará una señal sonora (campana) al presionar el botón.
2. Escuchará otra señal sonora si la fábrica de hielo funciona correctamente.

PRECAUCIÓN

- Si la señal sonora de fabricación de hielo suena repetidamente, comuníquese con el instalador de la tubería de agua o un centro de Servicios local Samsung.
- No presione el botón **Prueba** continuamente una vez que la charola de hielo esté llena de hielo o agua. El agua se puede desbordar o el hielo puede atascarse.
- No ponga alimentos en la cubeta de hielo. Los alimentos congelados pueden dañar la fábrica de hielo, en especial al abrir o cerrar la puerta.
- Cuando el refrigerador recupera el suministro eléctrico después de un corte, la cubeta de hielo puede contener una mezcla de cubos de hielo derretidos y pegados, lo que puede evitar que la fábrica de hielo funcione adecuadamente. A fin de evitar que suceda, asegúrese de vaciar la cubeta de hielo antes de utilizar el refrigerador.

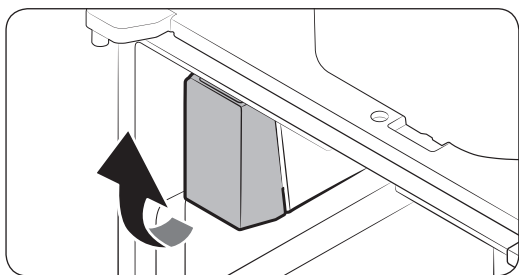
Funcionamiento

- No coloque los dedos ni otros objetos en la salida del dispensador o de la fábrica de hielo. Es posible que provoque lesiones o daños materiales.
- Cuando inserte nuevamente la charola de la fábrica de hielo, asegúrese de que esté bien centrada. De lo contrario, se podría trabar.

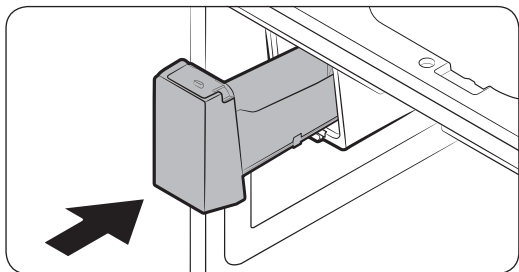
Fábrica de hielo desactivada

Para desactivar la fábrica de hielo, toque **Administrador del refrigerador > Ajustes del refrigerador > Fabricación de hielo** en la Pantalla de Inicio y seleccione **Apagado**. Asegúrese de vaciar la cubeta de hielo. Los cubos de hielo restantes pueden pegarse y hacer que sea difícil retirarlos.

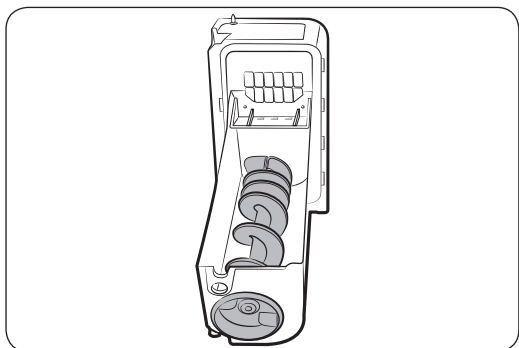
Para retirar la cubeta de hielo



1. Sostenga el fondo de la cubeta de hielo con una mano y el lateral con la otra.
2. Levante suavemente y tire hacia afuera.



3. Extraiga los cubos de hielo restantes y coloque la cubeta de hielo en su lugar.



Si la cubeta de hielo no estuviera bien insertada, gire el tornillo 90 grados e inténtelo nuevamente.

NOTA

- La extracción de la cubeta de hielo no afecta el desempeño térmico y mecánico del refrigerador.

Turbidez del agua

El agua provista al refrigerador pasa por un filtro de centro alcalino. Durante el proceso de filtración, aumenta la presión del agua y se satura de oxígeno y nitrógeno. Esto hace que el agua parezca turbia temporalmente cuando se la sirve. Esto es normal y el agua aparecerá transparente después de unos segundos

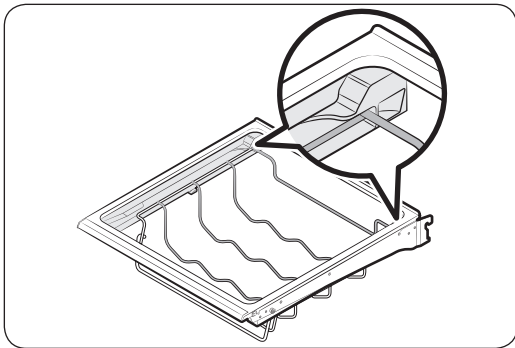
Estante para vinos

El refrigerador se suministra con el estante para vinos, que se puede ubicar en una de 3 posiciones: debajo del estante, en la guía del separador o encima del estante deslizante de la FlexZone. La disponibilidad de esta ubicación depende del modelo.

PRECAUCIÓN

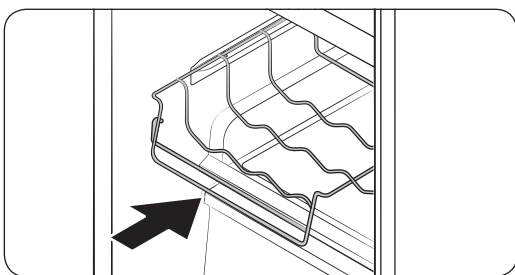
Antes de retirar o insertar el estante para vinos, asegúrese de que esté vacío.

Debajo del estante



Inserte el estante para vinos debajo del estante del refrigerador. Asegúrese de insertarlo hasta el fondo, como se muestra en la figura.

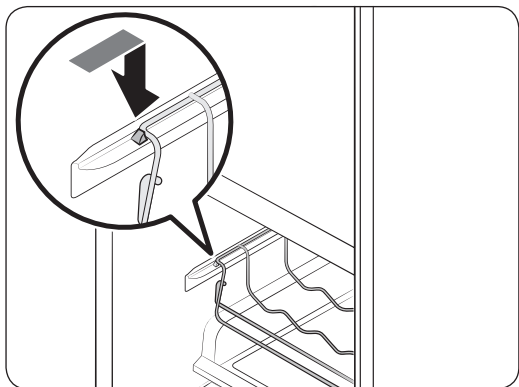
En la guía del separador



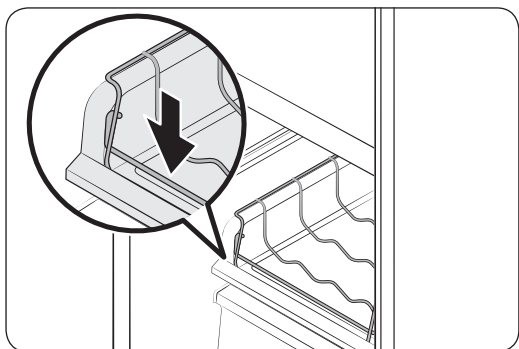
Inserte el estante para vinos en la guía del separador de la FlexZone.

- Asegúrese de que el frontal del estante para vinos encaje en la guía del separador del lado interno izquierdo de la FlexZone.
- Ajuste la temperatura de la FlexZone en **Vino blanco**.

Funcionamiento



En el estante deslizante



Inserte el estante para vinos en la parte superior del estante deslizante de la FlexZone, normalmente debajo de la guía del separador.

- Ajuste la temperatura de la FlexZone en **Vino blanco**.

PRECAUCIÓN

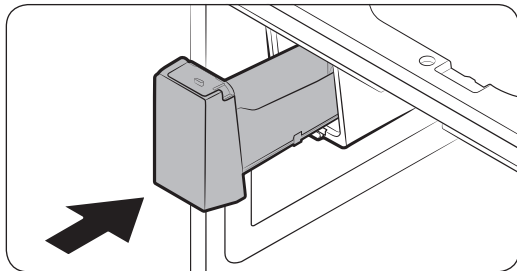
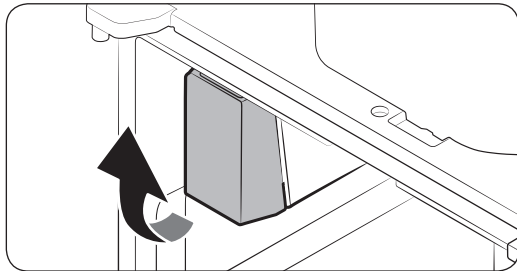
- No almacene botellas de vino en el congelador. Las botellas se congelan y si se rompen pueden causar lesiones.
- No almacene botellas de vino en dos hileras. Las botellas pueden caer y causar lesiones.
- No almacene botellas de vino de más de 330 mm de altura. Las botellas pueden romperse al cerrar la puerta y causar lesiones.

Mantenimiento

Manipulación y cuidado

Cubeta de hielo

Si no sirve hielo durante un período prolongado, el hielo puede apelmazarse en la cubeta. Si esto ocurriera, retire y vacíe la cubeta de la fábrica de hielo.



1. Para retirar la cubeta de hielo, levántela suavemente y tire hacia afuera mientras sostiene la parte inferior de la cubeta con una mano y el lado con la otra.
2. Vacíe la cubeta.
3. Una vez que haya finalizado, coloque la cubeta en su posición. Si la cubeta no entra, gire el tornillo de hélice 90 grados e inténtelo nuevamente.

⚠ PRECAUCIÓN

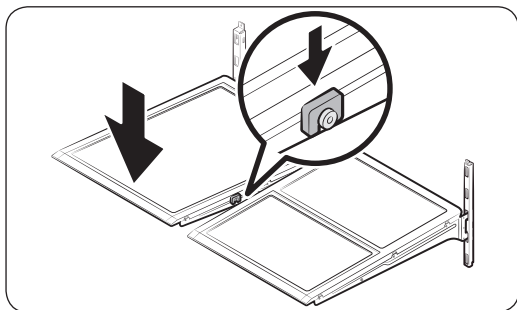
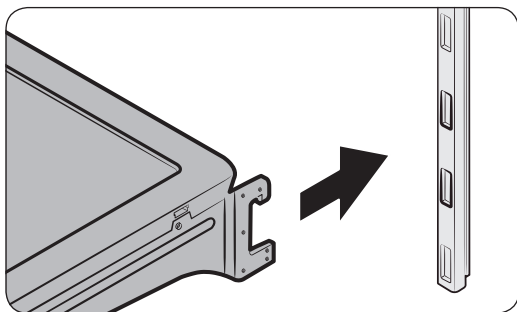
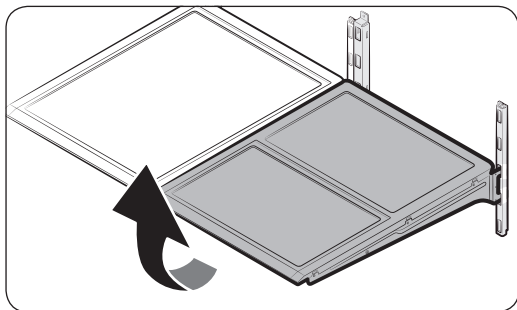
- No use fuerza excesiva sobre cubierta de la cubeta. La cubierta puede romperse.
- No cierre la puerta por la fuerza. Puede derramarse agua sobre la fábrica de hielo.
- Para evitar lesiones, asegúrese de limpiar el hielo o el agua que pueda haber caído en el suelo.
- A fin de evitar lesiones o accidentes, no permita que los niños jueguen con el dispensador de agua ni la fábrica de hielo.
- No coloque la mano o ni ningún objeto en el conducto de hielo. Es posible que provoque lesiones o daños al producto.
- Utilice únicamente la cubeta de hielo provista. Las cubetas de hielo de terceros pueden provocar una falla del sistema.
- Utilice únicamente agua potable conectada a la tubería de suministro de agua.

📄 NOTA

- La presión necesaria para la fabricación de hielo es de entre 20 psi y 125 psi.
- Los ruidos de la fábrica de hielo durante el proceso de fabricación son normales.
- Cuando la puerta esté abierta, ni la fábrica de hielo ni el dispensador de agua funcionan.

Mantenimiento

Estantes de vidrio templado (refrigerador)



- Para retirar un estante, abra la puerta correspondiente por completo. Sostenga la parte delantera del estante y luego levántelo suavemente y deslícelo hacia afuera.

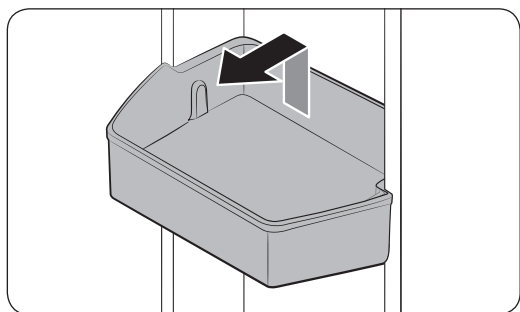
- Para insertarlo nuevamente, sostenga el estante en ángulo de modo que la parte frontal esté más elevada que la trasera y luego inserte el gancho superior en la muesca superior del estante. Luego, baje el estante e inserte el gancho inferior del estante en la muesca inferior del estante.

⚠ PRECAUCIÓN

- Los estantes de vidrio templado son pesados. Tenga cuidado al retirarlos.
- El estante debe insertarse correctamente. No lo coloque al revés.
- Los contenedores de vidrio pueden rayar la superficie de los estantes de vidrio.

Compartimientos de las puertas

La sección del compartimiento superior de la puerta cuenta con una línea marcada para garantizar el retiro y la re inserción adecuados.

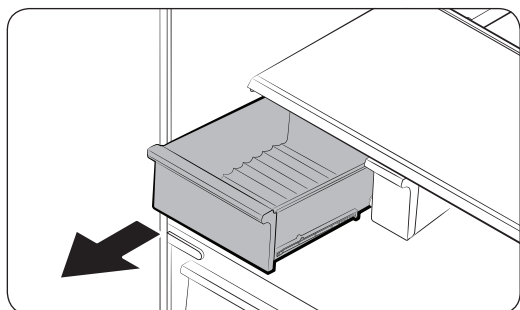


Levante el compartimiento de la puerta y luego tire en línea recta.

PRECAUCIÓN

No permita que los niños jueguen con los compartimientos. Las esquinas afiladas pueden provocar lesiones.

Cajones para vegetales y frutas (Zona fresca EZ)

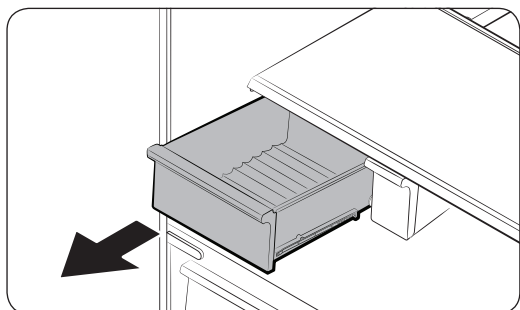


Levante suavemente el frente del cajón y deslícelo hacia afuera.

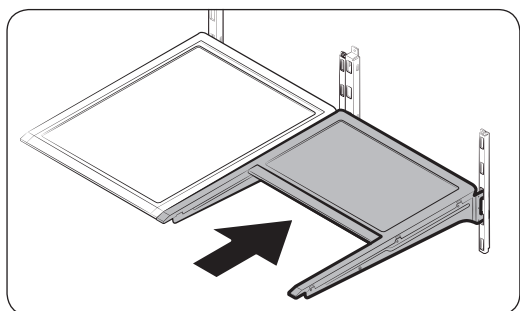
Se recomienda retirar los compartimientos de la puerta antes de retirar el cajón. Esto es para evitar que se dañen.

Mantenimiento

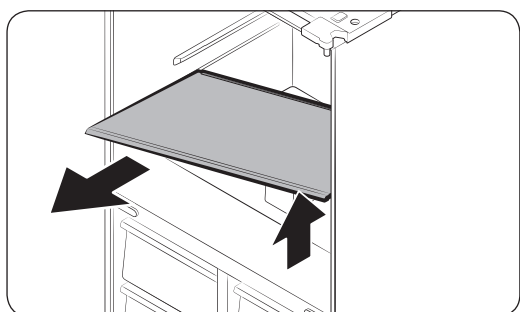
Estante para vegetales



1. Deslice hacia afuera el cajón de vegetales izquierdo.



2. Deslice hacia adentro el estante plegable derecho.



3. Mientras sujeta con una mano el estante de vegetales, deslízelo hacia afuera con la otra mano.

NOTA

Para utilizar el espacio que queda después de retirar el estante plegable, extraiga el estante de vegetales.

Para insertarlo nuevamente, realice el procedimiento en el orden inverso.

Cubeta de hielo

Para retirar la cubeta de hielo, consulte la sección de mantenimiento de la página 57.

Limpieza

Interior y exterior

ADVERTENCIA

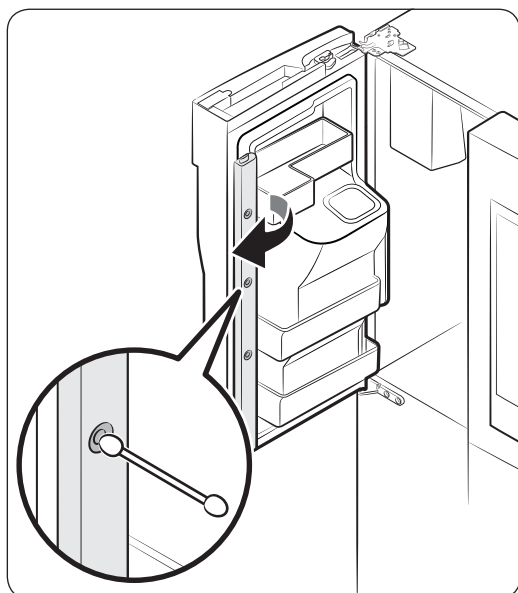
- No utilice benceno, solvente ni detergente para automóviles/hogareño como Clorox™ para limpiar. Pueden dañar la superficie del refrigerador o provocar un incendio.
- No rocíe agua sobre el refrigerador. Puede provocar una descarga eléctrica.
- No coloque los dedos ni otros objetos en la salida del dispensador.

Utilice un paño seco regularmente para retirar cualquier sustancia extraña como polvo o agua de las terminales del enchufe de alimentación y los puntos de contacto.

Para limpiar el refrigerador

1. Desenchufe el cable de alimentación
2. Utilice un paño húmedo que no deje pelusa o una toalla de papel para limpiar el interior y el exterior del refrigerador.
3. Al terminar, utilice un paño seco o toalla de papel para secarlo bien.
4. Enchufe el cable de alimentación.

Cámara de visión interna



NOTA

Use un hisopo de algodón o un paño de microfibra para limpiar la cámara de la puerta del lado izquierdo del refrigerador.


Mantenimiento

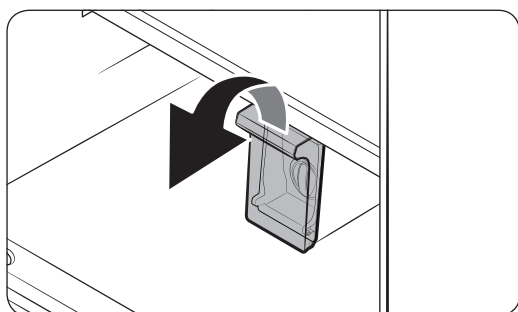
Reemplazo

Filtro de agua

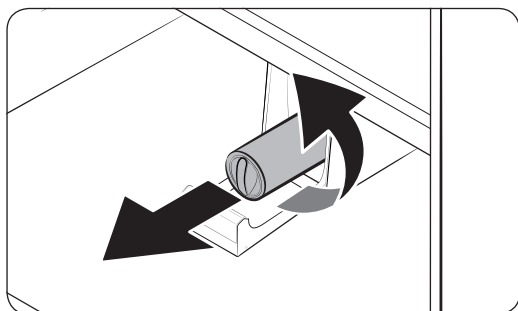
⚠ ADVERTENCIA

- No utilice filtros de agua de terceros. Utilice únicamente filtros provistos o aprobados por Samsung.
- Los filtros no aprobados pueden provocar pérdidas y daños al refrigerador y descargas eléctricas. Samsung no se hace responsable por los daños que puedan generarse a partir del uso de filtros de terceros.

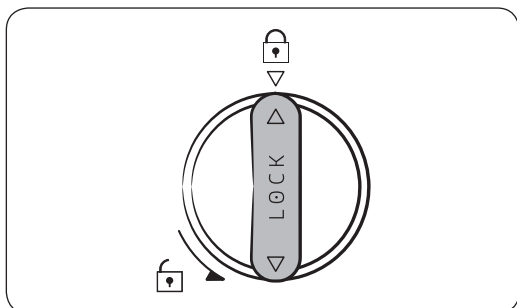
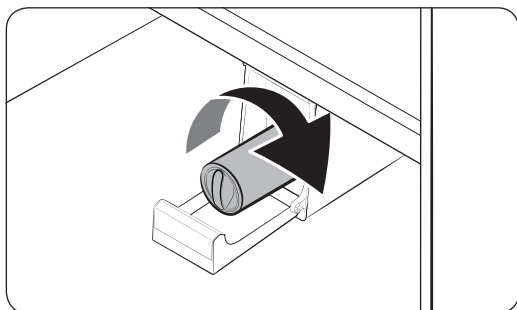
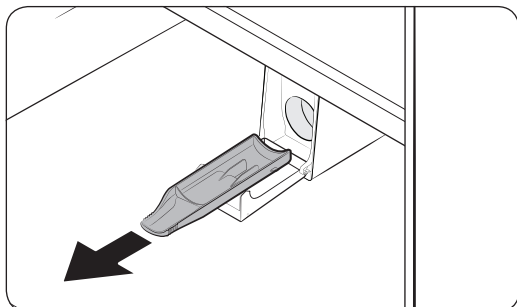
El indicador del filtro () se pone rojo para recordarle que es momento de cambiar el filtro. Antes de reemplazar el filtro, asegúrese de que la tubería de agua esté cerrada.



1. Abra la cubierta del filtro.
 - Es posible que algunos modelos no dispongan de cubierta del filtro. Si es así, omita este paso.



2. Gire la perilla del cartucho del filtro en el sentido contrario a las agujas del reloj unos 90 grados (giro de 1/4). El cartucho del filtro se destraba.
3. Tire para retirar el cartucho.
 - Si el filtro de agua estuviera muy contaminado, es posible que el cartucho no pueda retirarse fácilmente. En dicho caso, retírelo por la fuerza.
 - A fin de evitar pérdidas de agua por la abertura del filtro, mantenga el cartucho derecho al retirarlo.



NOTA

A fin de evitar desbordes, vacíe y seque la charola del filtro de agua.

4. Inserte un nuevo cartucho de filtro. Utilice únicamente filtros provistos o aprobados por Samsung.
5. Gire la perilla del filtro en el sentido de las agujas del reloj para trabarlo en su posición.
6. En la pantalla de inicio, toque **Administrador del refrigerador > Ajustes del refrigerador > Filtro de agua** y, luego, seleccione **RESET**. El indicador del filtro se apaga.
7. Al finalizar el reemplazo del filtro, abra la válvula de agua y deje correr el agua por el dispensador durante unos 7 minutos. De esta forma se eliminan las impurezas y el aire de la tubería de agua.

NOTA

- Los filtros nuevos pueden hacer que brote agua del dispensador brevemente. Esto se debe al ingreso de aire en la tubería de agua.
- El proceso de reemplazo puede hacer que el dispensador de agua gotee por un período breve. Si gotea, simplemente limpie el agua del piso con una toalla seca.

Mantenimiento

Sistema de filtración por ósmosis inversa

La presión de agua del sistema de suministro hacia un sistema de filtración por ósmosis inversa debe ser de entre 35 psi y 120 psi (241 kPa y 827 kPa).

La presión de agua del sistema de filtración de agua por ósmosis inversa a la tubería de agua fría del refrigerador debe ser de al menos 40 psi (276 kPa). Si la presión de agua estuviera por debajo de estas especificaciones:

- Verifique si el filtro de sedimentos en el sistema de ósmosis inversa está bloqueado. Reemplace el filtro si fuera necesario.
- Llene nuevamente de agua el tanque de agua del sistema de ósmosis inversa.
- Si el refrigerador cuenta con un filtro de agua, es posible que la presión de agua disminuya aún más al usarlo con un sistema de ósmosis inversa. Retire el filtro de agua.

Para obtener más información sobre el mantenimiento, comuníquese con un plomero profesional.

Pedir un filtro nuevo.

Para comprar un nuevo filtro de agua, comuníquese con un centro de servicios Samsung local o visite www.samsungparts.com en Internet.

Luces LED

Para reemplazar las lámparas LED del refrigerador, comuníquese con un centro de servicios Samsung local.

ADVERTENCIA

El usuario no debe cambiar las luces LED. No intente reemplazar la lámpara LED usted mismo. Puede provocar una descarga eléctrica.

Solución de problemas

Si detecta algún problema con el refrigerador, en primer lugar consulte las tablas e intente implementar las acciones sugerencias.

General

Síntoma	Acción
El refrigerador no funciona ni enfría.	<ul style="list-style-type: none">• Asegúrese de que el cable de alimentación esté conectado adecuadamente.• Asegúrese de que el control de temperatura esté configurado correctamente. Intente ajustarlo a una temperatura inferior.• Asegúrese de que el refrigerador no esté expuesto a la luz solar directa y no esté cerca de una fuente de calor. No hacerlo puede afectar el desempeño de enfriamiento.• Asegúrese de que el refrigerador esté lo suficientemente alejado de las paredes trasera y lateral o los gabinetes para permitir una ventilación adecuada. No hacerlo puede afectar el desempeño de enfriamiento.• Demasiados alimentos pueden bloquear la ventilación interna del refrigerador. Para mantener el funcionamiento normal del refrigerador, no almacene demasiados alimentos.
Los alimentos del refrigerador se congelan.	<ul style="list-style-type: none">• Verifique que el control de temperatura esté en la temperatura más baja. En tal caso, eleve la temperatura.• Esto ocurre si la temperatura ambiente es demasiado baja. Eleve la temperatura ambiente.• Controle si los alimentos con alta proporción de agua se encuentran en la zona más fría del refrigerador o cerca del ventilador de enfriamiento. Si fuera así, coloque los alimentos en otros estantes del refrigerador.
Escucha ruidos o sonidos fuera de lo normal.	<ul style="list-style-type: none">• Asegúrese de que el refrigerador esté instalado en una superficie estable y plana.• Asegúrese de que el refrigerador esté lo suficientemente alejado de las paredes trasera y lateral y los gabinetes para permitir una ventilación adecuada.• Asegúrese de que no haya objetos extraños (monedas, llaves, cubiertos, etc.) dentro o debajo del refrigerador.• El refrigerador puede hacer un "tic" desde adentro. Esto ocurre cuando los accesorios se contraen o expanden con los cambios de temperatura. Esto es normal.

Solución de problemas

Síntoma	Acción
Los ángulos frontales y los laterales se calientan y generan condensación.	<ul style="list-style-type: none"> A fin de evitar que se forme condensación, el refrigerador cuenta con tuberías a prueba de calor en los ángulos frontales. Si la temperatura aumenta, es posible que el equipo no funcione eficazmente. No se trata de una falla del sistema. Asegúrese de que la puerta esté cerrada adecuadamente. Puede producirse condensación cuando deja la puerta abierta por un período prolongado. Puede generarse condensación en la superficie externa del refrigerador cuando la humedad en el aire entra en contacto con la superficie fría del aparato.
La fábrica de hielo no hace hielo.	<ul style="list-style-type: none"> Si ha utilizado todo el hielo de la cubeta, debe esperar 12 horas para que el refrigerador fabrique más. Verifique si el indicador de hielo desactivado está encendido. Si es así, active la función de fábrica de hielo para que el indicador de hielo desactivado se apague. Consulte Configuración del refrigerador para más detalles. Asegúrese de que el congelador esté configurado por debajo de 32 °F (0 °C) (o 23 °F (-5 °C) en climas cálidos. Asegúrese de que el tanque de agua esté lleno. Verifique si la cubeta de hielo contiene hielo apelmazado. En tal caso, vacíe la cubeta de hielo e inténtelo nuevamente.
El dispensador de agua no funciona.	<ul style="list-style-type: none"> Verifique que el tanque de agua no esté congelado. De ser así, seleccione una temperatura más elevada. Asegúrese de que el tanque de agua esté lleno. Asegúrese de que el tanque de agua esté instalado correctamente. Asegúrese de que el filtro de agua esté instalado correctamente.
Escucha un ruido burbujeante.	<ul style="list-style-type: none"> Esto es normal. El ruido burbujeante corresponde al refrigerante que circula a través del refrigerador.
Surge un mal olor desde dentro del refrigerador.	<ul style="list-style-type: none"> Verifique si hay alimentos descompuestos. Recomendamos limpiar el refrigerador regularmente y retirar alimentos descompuestos o sospechosos. Asegúrese de que los alimentos con olores fuertes estén bien embalados o almacenados en envases herméticos.
Se forma hielo en las paredes internas.	<ul style="list-style-type: none"> Asegúrese de que los alimentos no bloqueen las ventilaciones del refrigerador. También es importante ordenar los alimentos en forma uniforme para facilitar la ventilación. Asegúrese de que la puerta esté cerrada adecuadamente.

Síntoma	Acción
Se genera condensación sobre las paredes internas o alrededor de los vegetales.	<ul style="list-style-type: none"> • Esto ocurre cuando se almacenan alimentos con una alta proporción de agua sin cubrirlos o se ha dejado la puerta abierta durante un período prolongado. • Asegúrese de que los alimentos estén cubiertos o almacenados en recipientes al vacío.
La puerta del congelador no cierra.	<ul style="list-style-type: none"> • Empuje la palanca del dispensador de agua para verificar el suministro de agua. • Empuje la palanca del dispensador de agua para controlar el funcionamiento del motor sinfín del conjunto de la fábrica de hielo. • Controle que no haya ningún objeto que evite el funcionamiento del motor sinfín. Si llegara a detectarlo, retire los objetos y limpie el área del motor. • Si la fábrica de hielo no se ha utilizado durante un período prolongado, la cubeta de hielo puede contener trozos de hielo que eviten que el motor sinfín funcione adecuadamente. Si esto ocurriera, retire y vacíe la cubeta de la fábrica de hielo.

Solución de problemas

Samsung Smart Home

Síntoma	Acción
No se encuentra "Samsung Smart Home" en el mercado de aplicaciones.	<ul style="list-style-type: none">La aplicación Samsung Smart Home se encuentra disponible en todos los teléfonos inteligentes que utilizan Android 4.0 (ICS) o superior o iOS 7.0 o superior.
La aplicación Samsung Smart Home no funciona.	<ul style="list-style-type: none">La aplicación Samsung Smart Home está disponible únicamente en los modelos correspondientes.La aplicación Samsung Smart Refrigerator antigua no puede conectarse con los modelos Samsung Smart Home.
La aplicación Samsung Smart Home está instalada pero no se conecta a mi refrigerador.	<ul style="list-style-type: none">Debe iniciar una sesión con su cuenta Samsung para utilizar la aplicación.Asegúrese de que su enrutador funcione normalmente.Si no ha conectado el refrigerador a la aplicación Samsung Smart Home luego de instalar esta, debe establecer la conexión con la función de registro del dispositivo de la aplicación.
No se puede iniciar una sesión en la aplicación.	<ul style="list-style-type: none">Debe iniciar una sesión con su cuenta Samsung para utilizar la aplicación.Si no tiene una cuenta Samsung, siga las aplicaciones en pantalla de la aplicación para crear una.
Cuando trato de registrar mi refrigerador aparece un mensaje de error.	<ul style="list-style-type: none">Easy Connection puede fallar como resultado de la distancia con respecto al punto de acceso (PA) o una interferencia eléctrica del entorno circundante. Espere un momento e inténtelo nuevamente.
La aplicación Samsung Smart Home está conectada correctamente a mi refrigerador pero no funciona.	<ul style="list-style-type: none">Salga y reinicie la aplicación Samsung Smart Home o desconecte el enrutador y conéctelo nuevamente.Desconecte el cable de alimentación del refrigerador y enchúfelo nuevamente después de 1 minuto.

Smart Grid

Síntoma	Acción
¿Qué necesito para utilizar las funciones Energy Management (Gestión de energía) y Smart Grid?	<p>Para usar las funciones Smart Grid (respuesta a la demanda) y Energy Management (Gestión de energía) del refrigerador, se necesita lo siguiente:</p> <p>Dispositivos</p> <ul style="list-style-type: none"> • Un punto de acceso inalámbrico (enrutador) • Un refrigerador que admita Samsung Energy Management • Un teléfono inteligente <p>Registro</p> <ul style="list-style-type: none"> • Conecte el refrigerador a su red Wi-Fi doméstica. • Regístrese en el servicio EMS con una compañía de electricidad que disponga de un EMS (sistema de gestión de energía) que admita SEP (perfil de energía inteligente). <p>Aplicación</p> <ul style="list-style-type: none"> • Descargue la aplicación Samsung Smart Home desde las tiendas Google Play, Apple App o Samsung Galaxy Apps. • Instale y ejecute la aplicación Samsung Smart Home en su teléfono inteligente.
¿Por qué la función Energy Management (Gestión de energía) no opera con normalidad?	<ul style="list-style-type: none"> • Asegúrese de que el enrutador de su casa opera normalmente con un servicio y una conexión a Internet correctos. • Asegúrese de que el refrigerador esté conectado al PA (enrutador). <p>Puntos de comprobación</p> <ul style="list-style-type: none"> • Conecte su teléfono inteligente al enrutador (PA, punto de acceso) y revise si puede acceder a Internet desde el teléfono inteligente.
¿Por qué la Capacidad de demora del descongelamiento no opera con normalidad?	<ul style="list-style-type: none"> • Asegúrese de que el enrutador de su casa opera normalmente con un servicio y una conexión a Internet correctos.

Solución de problemas

LCD

Síntoma	Acción
No puedo conectarme al televisor.	<ul style="list-style-type: none">• Este refrigerador solo puede conectarse con modelos Samsung Smart TV de la serie 6400 o superior comercializados a partir de 2015. Revise primero el nombre de modelo de su televisor.• Las conexiones de red pueden alterarse temporalmente. Apague el televisor y vuelva a intentarlo.
La imagen de la vista interior se ve deformada.	<ul style="list-style-type: none">• Los bordes de la vista interior pueden verse deformados debido a la lente convexa.• La vista interior puede estar incompleta debido a los ángulos muertos de las esquinas de izquierda y derecha, o alterados dependiendo de la forma de los alimentos. Asegúrese de colocar los alimentos en el centro de la parte delantera.
La medición que se muestra en el Administrador del refrigerador no es correcta.	<ul style="list-style-type: none">• Las condiciones mostradas pueden diferir de la temperatura y la humedad real.

Garantía (USA)

GARANTÍA DEL REFRIGERADOR SAMSUNG

GARANTÍA LIMITADA PARA EL COMPRADOR ORIGINAL

Este producto de marca Samsung, suministrado y distribuido por Samsung Electronics America, Inc. (Samsung) y entregado nuevo en su caja de fábrica al comprador original, está garantizado por Samsung ante defectos de fabricación relacionados con los materiales y la mano de obra durante un período de garantía limitado a:

Un (1) año para las piezas y la mano de obra del refrigerador

Cinco (5) años para las piezas y la mano de obra exclusivamente del sistema hermético de refrigeración*

Diez (10) años para las piezas y cinco (5) años para la mano de obra para el compresor Digital Inverter
(*Compresor, evaporador, condensador, deshumidificador, tuberías de conexión)

Esta garantía limitada entra en vigencia en la fecha original de compra y solo es válida para productos adquiridos y utilizados en los Estados Unidos. Para recibir el servicio técnico bajo garantía, el comprador debe comunicarse con Samsung para determinar la naturaleza del problema y proceder a repararlo. El servicio de garantía solo puede realizarse a través de un Centro de Servicio autorizado Samsung. Debe presentarse la factura original de venta bajo solicitud de Samsung o del Centro de Servicio autorizado Samsung como prueba de compra.

Samsung reparará o reemplazará cualquier pieza considerada defectuosa, a nuestra entera discreción y sin cargo, según lo estipulado en este documento, por piezas nuevas o reparadas durante el período de garantía limitada especificado anteriormente. Todas las piezas y los productos reemplazados son de propiedad de Samsung y deben devolverse a Samsung. Las piezas y los productos de repuesto quedarán bajo el período restante de garantía original o noventa (90) días, el que sea más extenso.

La prestación de servicios en el hogar se realizará durante el período de garantía de la mano de obra, sujeto a disponibilidad dentro de los Estados Unidos. La prestación de servicios en el hogar no está disponible en todas las zonas. Para recibir la prestación de servicio en el hogar, el producto debe estar despejado y ser accesible al nivel del piso para el personal de servicio técnico. Si durante la prestación de servicios en el hogar no pudiera llevarse a cabo la reparación, podría ser necesario realizar el traslado, la reparación y la posterior devolución del producto. Si la prestación de servicios en el hogar no está disponible, Samsung podría escoger, a nuestra entera discreción, proporcionar transporte a nuestra elección hasta y desde el Centro de Servicio autorizado Samsung. De lo contrario, el transporte hasta y desde el Centro de Servicio autorizado Samsung estará a cargo del comprador.

Garantía (USA)

Esta garantía limitada cubre defectos de fabricación en materiales y de mano de obra bajo condiciones de uso normal, no comercial, del producto y no se aplicará en los siguientes casos, incluidos, entre otros: daños ocasionados durante el transporte, la entrega y la instalación; aplicaciones y usos para los que el producto no fue diseñado; producto o números de serie alterados; daños externos o del acabado exterior; accidentes, mal uso, negligencia, incendio, agua, rayos u otros fenómenos naturales; uso de productos, equipamiento, sistemas, servicios públicos, servicios generales, piezas, suministros, accesorios, aplicaciones, instalaciones, reparaciones, tuberías externas y fugas, cableado externo, disyuntores, fusibles o conectores no suministrados ni autorizados por Samsung o que dañen este producto u ocasionen problemas de servicio; voltaje incorrecto, fluctuaciones y sobrevoltaje del suministro eléctrico; adaptaciones y fallas por parte del cliente en el cumplimiento de las instrucciones de funcionamiento, limpieza, mantenimiento y cuidado del medio ambiente que se incluyen y establecen en el manual de instrucciones; pérdida de alimentos por descomposición; consumibles, incluidos filtros y focos de iluminación.

NO EXISTEN OTRAS GARANTÍAS EXPLÍCITAS APARTE DE LAS MENCIONADAS Y DESCRITAS ANTERIORMENTE, ASÍ COMO TAMPOCO EXISTEN OTRAS GARANTÍAS EXPLÍCITAS O IMPLÍCITAS, INCLUIDAS, ENTRE OTRAS, LAS GARANTÍAS IMPLÍCITAS DE COMERCIALIZABILIDAD O DE IDONEIDAD PARA UN FIN CONCRETO Y QUE SEAN PERTINENTES TRAS LOS PERÍODOS DE GARANTÍA EXPLÍCITA INDICADOS CON ANTERIORIDAD; Y NINGUNA GARANTÍA EXPLÍCITA U OFRECIDA POR PERSONAS, FIRMAS O EMPRESAS EN RELACIÓN CON ESTE PRODUCTO SERÁ LEGALMENTE VINCULANTE PARA SAMSUNG. SAMSUNG NO SERÁ LEGALMENTE RESPONSABLE DE LA PÉRDIDA DE INGRESOS O BENEFICIOS, LA FALTA DE AHORROS U OTROS BENEFICIOS, O DE NINGÚN OTRO DAÑO RESULTANTE ESPECIAL, ACCIDENTAL O INDIRECTO OCASIONADO POR EL USO, ABUSO O INCAPACIDAD DE USO DE ESTE PRODUCTO, INDEPENDIEMENTE DE LA TEORÍA LEGAL SOBRE LA QUE SE BASE EL RECLAMO, INCLUSO SI SAMSUNG HA SIDO ADVERTIDO DE LA POSIBILIDAD DE TALES DAÑOS. ASIMISMO, CUALQUIER TIPO DE INDEMNIZACIÓN EXIGIDA A SAMSUNG NO SUPERARÁ EL PRECIO DE COMPRA DEL PRODUCTO VENDIDO POR SAMSUNG Y QUE HAYA OCASIONADO EL SUPUESTO DAÑO. SIN LIMITAR LO INDICADO ANTERIORMENTE, EL COMPRADOR ASUME TODO EL RIESGO Y LA RESPONSABILIDAD DE CUALQUIER PÉRDIDA, DAÑO O LESIÓN A SÍ MISMO O A SU PROPIEDAD, ASÍ COMO A TERCEROS Y A LA PROPIEDAD DE ESTOS, OCASIONADOS POR EL USO, ABUSO O INCAPACIDAD DE USO DE ESTE PRODUCTO VENDIDO POR SAMSUNG QUE NO HAYAN SIDO CAUSADOS DIRECTAMENTE POR NEGLIGENCIA DE SAMSUNG. ESTA GARANTÍA LIMITADA NO SERÁ VÁLIDA PARA PERSONAS AJENAS AL COMPRADOR ORIGINAL DE ESTE PRODUCTO, ADEMÁS ES INTRANSFERIBLE Y CONSTITUYE SU RECURSO EXCLUSIVO.

Ciertos estados no permiten limitaciones en cuanto a la vigencia de una garantía implícita o la exclusión o limitación de daños accidentales o indirectos, de tal forma que las limitaciones o excepciones mencionadas tal vez no se apliquen a usted en particular. Esta garantía le otorga derechos legales específicos, e incluso puede otorgarle otros derechos que varían de un estado a otro. Para obtener el servicio de garantía, pónganse en contacto con Samsung en el:

CENTRO DE ASISTENCIA AL CLIENTE DE SAMSUNG

Samsung Electronics America, Inc. 85 Challenger Road Ridgefield Park, NJ 07660

1-800-SAMSUNG(726-7864)

www.samsung.com/us/support

Notas

Notas

Contacte a SAMSUNG WORLD WIDE

Si tiene preguntas o comentarios relacionados con los productos Samsung, póngase en contacto con el Servicio de Atención al Cliente de SAMSUNG.

País	Centro de contacto	Sitio web
U.S.A	1-800-SAMSUNG (726-7864)	www.samsung.com/us/support
CANADA	1-800-SAMSUNG (726-7864)	www.samsung.com/ca/support (English) www.samsung.com/ca_fr/support (French)



DA68-03460A-05



Réfrigérateur

Guide d'utilisation

Appareil amovible

SAMSUNG

Sommaire

Consignes de sécurité	4
Consignes de sécurité importantes et symboles :	4
Avertissement concernant la proposition 65 de l'État de la Californie (États-Unis uniquement)	4
Avertissements importants concernant l'installation	5
Installation en toute sécurité	7
Avertissements importants concernant l'utilisation	8
Utilisation en toute sécurité	11
Nettoyage en toute sécurité	12
Avertissements importants concernant la mise au rebut	13
1. Avis d'application de la réglementation	14
Installation	16
Présentation rapide du réfrigérateur	16
Retrait de la porte pour le passage de la porte d'entrée	18
Installation étape par étape	26
Opérations	35
Interface utilisateur	35
Samsung Smart Home	44
Fonction SMART GRID (Réponse à la demande)	50
Fonctions spéciales	54
Maintenance	59
Utilisation et entretien	59
Nettoyage	63
Remplacement	64
Dépannage	67
Généralités	67
Samsung Smart Home	70
Réseau intelligent	71
Écran LCD	72

Informations relatives à la garantie (CANADA)	73
Si votre réfrigérateur doit être réparé	73
Garantie limitée à l'acheteur initial	73
Obligation du propriétaire initial	73
Exclusions de la garantie	74



Consignes de sécurité

- Avant d'utiliser votre nouveau réfrigérateur Samsung, veuillez lire attentivement ce guide afin de vous assurer que vous savez comment utiliser de manière sûre et efficace ses différentes fonctionnalités.
- Cet appareil n'est pas conçu pour être utilisé par des personnes (y compris des enfants) ayant des capacités physiques, sensorielles ou mentales réduites, ou ayant un manque d'expérience et de connaissances, à moins qu'elles soient surveillées ou qu'elles aient reçu les instructions nécessaires concernant l'utilisation de cet appareil de la part d'une personne responsable de leur sécurité.
- Les instructions suivantes concernent plusieurs modèles; il est donc possible que les caractéristiques de votre réfrigérateur soient légèrement différentes de celles spécifiées dans ce guide.
- Pour toute question, communiquez avec nous au 1-800-SAMSUNG ou connectez-vous sur www.samsung.com.
- Le gaz réfrigérant utilisé est le R600a ou R134a. Vérifiez le gaz réfrigérant utilisé dans votre réfrigérateur sur l'étiquette du compresseur située à l'arrière de l'appareil ou sur l'étiquette signalétique située à l'intérieur du réfrigérateur. Si ce produit contient du gaz inflammable (gaz réfrigérant R-600a), veuillez communiquer avec les autorités locales pour obtenir des renseignements sur la mise au rebut en toute sécurité de votre appareil.
- Il est dangereux pour quiconque qui n'est pas un agent de maintenance autorisé d'entretenir cet appareil.

Consignes de sécurité importantes et symboles :

Veuillez suivre toutes les instructions relatives à la sécurité fournies dans le présent manuel. Le présent manuel utilise les symboles de sécurité suivants.

AVERTISSEMENT

Risques ou manipulations dangereuses susceptibles d'entraîner des **blessures graves, des dégâts matériels et/ou la mort.**

ATTENTION

Risques ou manipulations dangereuses susceptibles d'entraîner des **blessures graves et/ou des dégâts matériels.**

REMARQUE

Informations utiles qui aident l'utilisateur à comprendre ou utiliser le réfrigérateur.

Ces symboles d'avertissement ont pour but d'éviter tout risque de blessure.

Respectez-les en toutes circonstances.

Lisez attentivement la présente section et conservez le guide en lieu sûr afin de pouvoir le consulter ultérieurement.

Avertissement concernant la proposition 65 de l'État de la Californie (États-Unis uniquement)

AVERTISSEMENT : Cet appareil contient des produits chimiques connus de l'État de la Californie pour causer le cancer et des anomalies congénitales ou des effets nocifs sur la reproduction.





Avertissements importants concernant l'installation

AVERTISSEMENT

- N'installez pas le réfrigérateur dans un lieu humide ou dans un lieu où il est susceptible d'être en contact avec de l'eau.
 - Une détérioration de l'isolation sur des composants électriques est susceptible de provoquer un choc électrique ou un incendie.
- N'installez pas le réfrigérateur dans un endroit exposé à la lumière directe du soleil ou à proximité d'une cuisinière, d'un appareil de chauffage ou d'autres appareils.
- Ne branchez pas plusieurs appareils dans la même multiprise. Le réfrigérateur doit toujours être branché dans une prise de courant indépendante dotée d'une tension nominale correspondant à celle figurant sur la plaque signalétique du réfrigérateur.
 - Ceci permet de bénéficier de performances optimales mais également d'éviter une surcharge des circuits électriques de la maison, ce qui pourrait entraîner une surchauffe des fils et présenter un risque d'incendie.
- Ne branchez pas la fiche d'alimentation dans une prise murale mal fixée.
 - Cela risquerait d'entraîner un choc électrique ou un incendie.
- N'utilisez pas de cordon dont la gaine est craquelée ou endommagée à quelque endroit ou à l'une de ses extrémités.
- Ne pliez pas le cordon d'alimentation à l'excès et ne posez pas d'objets lourds dessus.
- Ne tirez pas ou ne pliez pas excessivement le cordon d'alimentation.
- Ne tordez pas ou ne nouez pas le cordon d'alimentation.
- N'accrochez pas le cordon d'alimentation sur un objet métallique, ne placez pas un objet lourd sur le cordon d'alimentation, n'insérez pas le cordon d'alimentation entre des objets, ou n'enfoncez pas le cordon d'alimentation dans l'espace situé derrière l'appareil.
- Lorsque vous déplacez le réfrigérateur, assurez-vous qu'il ne roule pas sur le cordon d'alimentation, et prenez garde de ne pas endommager ce dernier.
 - Un choc électrique ou un incendie pourraient en résulter.
- Ne débranchez jamais le réfrigérateur en tirant sur le cordon d'alimentation. Maintenez toujours fermement la fiche pour la débrancher de la prise de courant.
 - Tout dommage causé au cordon est susceptible d'entraîner un court-circuit, un incendie et/ou un choc électrique.
- Dans cet appareil, ne stockez pas de substances explosives telles que des aérosols avec un propulseur inflammable.
- N'installez pas cet appareil près d'une source de chaleur ni d'un matériau inflammable.
- N'installez pas cet appareil dans un endroit où des fuites de gaz sont susceptibles de se produire.
 - Un choc électrique ou un incendie pourraient en résulter.
- Ce réfrigérateur doit être correctement situé et installé conformément aux instructions du présent guide avant d'être utilisé.





Consignes de sécurité

- Branchez la fiche d'alimentation de façon à ce que le cordon pende vers le bas.
 - Si vous branchez la fiche d'alimentation à l'envers, le fil est susceptible de se rompre et de provoquer un incendie ou un choc électrique.
- Assurez-vous que la fiche d'alimentation n'est pas écrasée ou endommagée par le dos du réfrigérateur.
- Gardez les matériaux d'emballage hors de portée des enfants.
 - Il y a un risque d'asphyxie si un enfant place les matériaux d'emballage sur sa tête.
- L'appareil doit être positionné de façon à ce que la fiche reste accessible après l'installation.
 - Le non-respect de cette consigne risquerait de provoquer un choc électrique ou un incendie en raison de fuites électriques.
- N'installez pas cet appareil dans un lieu humide, huileux ou poussiéreux, ni dans un endroit exposé directement au soleil ou à l'eau (gouttes de pluie).
 - Une détérioration de l'isolation sur des composants électriques est susceptible de provoquer un choc électrique ou un incendie.
- Si de grandes quantités de poussière ou d'eau entrent dans le réfrigérateur, débranchez la fiche et prenez contact avec votre centre de service Samsung Electronics.
 - Sinon, il pourrait y avoir un risque d'incendie.
- Ne montez pas sur l'appareil et ne placez pas d'objets (tels que du linge, des bougies allumées, des cigarettes allumées, de la vaisselle, des produits chimiques, des objets métalliques, etc.) sur celui-ci.
 - Le non-respect de cette consigne risque d'entraîner un choc électrique, un incendie, un dysfonctionnement de l'appareil ou des blessures corporelles.
- Vous devez retirer toutes les pellicules protectrices en plastique avant de brancher l'appareil pour la première fois.
- Les enfants doivent être sous surveillance afin de s'assurer qu'ils ne jouent pas avec les circlips utilisés pour l'ajustement de la porte ou avec les brides du tuyau d'eau.
 - Il existe un risque de mort par suffocation si un enfant avale un circlip ou une bride du tuyau d'eau. Tenez les circlips et les brides du tuyau d'eau hors de portée des enfants.
- Le réfrigérateur doit être correctement mis à la terre.
 - Veillez toujours à ce que le réfrigérateur soit branché à la terre avant de vérifier ou de réparer n'importe quelle partie de l'appareil. Les fuites électriques peuvent provoquer des chocs électriques graves.



- N'utilisez jamais de conduites de gaz, de fils téléphoniques ou d'autres éléments susceptibles d'attirer la foudre pour relier l'appareil à la terre.
 - Le réfrigérateur doit être mis à la terre afin d'éviter les dissipations d'énergie ou les chocs électriques provoqués par les fuites de courant de l'appareil.
 - Le non-respect de cette consigne risque d'entraîner un choc électrique, un incendie, une explosion ou un dysfonctionnement de l'appareil.
 - Toute utilisation non conforme de la fiche de mise à la terre peut présenter un risque de choc électrique. Si l'utilisation d'une rallonge s'avère nécessaire, utilisez uniquement une rallonge à trois fils munie d'une fiche de mise à la terre à trois broches que vous brancherez dans une prise à trois alvéoles compatible avec la fiche de l'appareil. Les caractéristiques électriques de la rallonge doivent être de 115-120 V c.a. et 10 A minimum. Si un adaptateur de mise à la terre est utilisé, vérifiez que la boîte de prise de courant est entièrement mise à la terre.
- Branchez fermement la fiche dans la prise murale. N'utilisez pas de fiche d'alimentation endommagée, de cordon d'alimentation endommagé ou de prise murale mal fixée.
 - Un choc électrique ou un incendie pourraient en résulter.
- Si le cordon d'alimentation est endommagé, demandez son remplacement immédiat par le fabricant ou ses fournisseurs de service.
- Seul un technicien qualifié ou une société de service doit être autorisé(e) à changer le fusible dans le réfrigérateur.
 - Le non-respect de cette consigne risquerait de provoquer un choc électrique ou des blessures corporelles.

Installation en toute sécurité

ATTENTION

- Laissez un espace suffisant autour du réfrigérateur et installez celui-ci sur une surface plane.
 - N'obstruez pas l'espace de ventilation à l'intérieur du réfrigérateur ou de son caisson.
- Après avoir installé et mis sous tension votre réfrigérateur, laissez l'appareil au repos pendant 2 heures avant de le remplir d'aliments.
- Nous vous recommandons fortement de faire appel à un technicien qualifié ou à une entreprise de dépannage pour installer votre réfrigérateur.
 - Le non-respect de cette consigne risque d'entraîner un dysfonctionnement, un choc électrique, un incendie, une explosion ou des blessures corporelles.
- Si vous surchargez l'une des portes, le réfrigérateur peut se renverser et vous pouvez vous blesser.

Consignes de sécurité

Avertissements importants concernant l'utilisation

AVERTISSEMENT

- Ne branchez pas la prise d'alimentation si vous avez les mains mouillées.
 - Cela pourrait causer un choc électrique.
- N'entreposez pas d'objets sur le dessus de l'appareil.
 - Lors de l'ouverture ou de la fermeture de la porte, les objets pourraient tomber et provoquer des blessures corporelles et/ou des dommages matériels.
- Ne placez pas vos mains, vos pieds, ni des objets métalliques (baguettes métalliques, etc.) sous le réfrigérateur ou à l'arrière de celui-ci.
 - Un choc électrique ou des blessures corporelles pourraient en résulter.
 - Les bords coupants sont susceptibles de provoquer des blessures corporelles.
- Ne touchez pas les parois intérieures du congélateur ni les produits qui y sont rangés si vous avez les mains mouillées.
 - Risque de gelures.
- Ne placez pas de récipient rempli d'eau sur le réfrigérateur.
 - En cas de renversement, cela pourrait entraîner un incendie ou un choc électrique.
- Ne stockez pas d'objets ou de substances volatiles ou inflammables (benzène, diluant, propane, alcool, éther, gaz liquéfié et toute autre substance similaire) dans le réfrigérateur.
 - Le réfrigérateur a été conçu exclusivement pour le rangement de produits alimentaires.
 - Cela pourrait entraîner un incendie ou une explosion.
- Il est nécessaire de surveiller les enfants pour s'assurer qu'ils ne jouent pas avec l'appareil.
 - Maintenez les doigts éloignés des zones contenant des « points de pincement » ; Le jeu entre les portes et l'armoire doit nécessairement être faible. Soyez attentif lorsque vous ouvrez les portes si des enfants se trouvent à proximité.
- Ne laissez pas les enfants se suspendre à la porte de l'appareil ou aux bacs des portes. Ils risqueraient de se blesser.
- Ne laissez pas les enfants entrer dans le réfrigérateur. Ils risqueraient de rester emprisonnés.
- Ne placez pas vos mains sous l'appareil.
 - Les bords coupants sont susceptibles de provoquer des blessures corporelles.
- Ne rangez pas de produits pharmaceutiques, chimiques ou sensibles aux températures dans le réfrigérateur.
 - Les produits nécessitant un contrôle strict de la température ne doivent pas être entreposés dans le réfrigérateur.
- Ne placez pas et n'utilisez pas d'appareils électriques à l'intérieur du réfrigérateur/congélateur sauf s'il s'agit d'un type recommandé par le fabricant.
- Si l'appareil dégage de la fumée, débranchez-le immédiatement puis prenez contact avec votre centre de service Samsung Electronics.

- Si de grandes quantités de poussière ou d'eau entrent dans le réfrigérateur, débranchez la fiche et prenez contact avec votre centre de service Samsung Electronics.
 - Sinon, il pourrait y avoir un risque d'incendie.
- Ne laissez pas les enfants monter sur un bac.
 - Le bac risquerait de se casser et de provoquer leur chute.
- Ne laissez pas les portes du réfrigérateur ouvertes lorsque l'appareil n'est pas sous surveillance et ne laissez pas les enfants se glisser à l'intérieur de l'appareil.
- Ne laissez pas les jeunes enfants s'approcher d'un tiroir.
 - Ils pourraient s'étouffer ou se blesser.
- Ne remplissez pas trop le réfrigérateur.
 - Lors de l'ouverture de la porte, un article pourrait tomber et provoquer des blessures corporelles ou des dommages matériels.
- Ne vaporisez pas de substance volatile telle qu'un insecticide sur la surface de l'appareil.
 - Ces produits peuvent s'avérer dangereux pour la santé et risquent en outre de provoquer un choc électrique, un incendie ou un dysfonctionnement de l'appareil.
- Ne mettez jamais les doigts ni d'objets dans la sortie du distributeur d'eau, le conduit d'écoulement ou le bac à glaçons.
 - Cela pourrait provoquer des blessures corporelles ou des dommages matériels.
- N'utilisez pas ni n'entreposez pas de substances thermosensibles (ex. : pulvérisateurs ou objets inflammables, glace sèche, médicaments ou produits chimiques) à proximité ou à l'intérieur du réfrigérateur.
- N'utilisez pas de séchoir à cheveux pour sécher l'intérieur du réfrigérateur. Ne placez pas de bougie allumée à l'intérieur du réfrigérateur pour en éliminer les mauvaises odeurs.
 - Un choc électrique ou un incendie pourraient en résulter.
- Remplissez le réservoir d'eau et le bac à glaçons d'eau potable uniquement (eau du robinet, eau minérale ou eau purifiée).
 - Ne remplissez pas le réservoir avec du thé, du jus ou une boisson énergisante. Cela pourrait endommager le réfrigérateur.
- Ne montez pas sur l'appareil et ne placez pas d'objets (tels que du linge, des bougies allumées, des cigarettes allumées, de la vaisselle, des produits chimiques, des objets métalliques, etc.) sur celui-ci. Le non-respect de cette consigne risque d'entraîner un choc électrique, un incendie, un dysfonctionnement de l'appareil ou des blessures corporelles. Ne placez pas de récipient rempli d'eau sur l'appareil.
 - En cas de renversement, cela pourrait entraîner un incendie ou un choc électrique.
- N'utilisez pas d'appareil mécanique ni de dispositif susceptible d'accélérer le processus de décongélation, autres que ceux recommandés par le fabricant.
- N'endommagez pas le circuit de réfrigération.
- Ne fixez jamais directement l'ampoule DEL UV pendant une période prolongée.
 - Cela risquerait d'entraîner une fatigue oculaire due aux rayons ultraviolets.
- Ne placez pas les tablettes dans le réfrigérateur à l'envers. La butée des tablettes ne fonctionnera pas.
 - La tablette en verre pourrait tomber et provoquer des blessures corporelles.



Consignes de sécurité

- Maintenez les doigts éloignés des zones contenant des « points de pincement » ; Le jeu entre les portes et l'armoire doit nécessairement être faible. Soyez attentif lorsque vous ouvrez les portes si des enfants se trouvent à proximité.
- Si une fuite de gaz est détectée, évitez toute flamme nue ou source potentielle d'inflammation et aérez pendant plusieurs minutes la pièce dans laquelle se trouve l'appareil.
 - Ne touchez pas à l'appareil ou au cordon d'alimentation.
 - N'utilisez pas de ventilateur.
 - Une étincelle risquerait de provoquer une explosion ou un incendie.
- Utilisez uniquement les ampoules DEL fournies par le fabricant ou son réparateur autorisé.
- Serrez les bouteilles les unes contre les autres pour éviter qu'elles ne glissent ou ne tombent.
- Cet appareil est destiné au rangement des aliments dans un environnement domestique uniquement.
- Ne mettez jamais les doigts ni d'objets dans la sortie du distributeur d'eau, le conduit d'écoulement ou le bac à glaçons.
 - Cela peut provoquer des blessures corporelles ou des dommages matériels.
- Ne tentez pas de réparer, démonter ou modifier le réfrigérateur vous-même.
 - Des modifications non autorisées peuvent générer des problèmes de sécurité. Pour annuler une modification non autorisée, nous facturons le coût total des pièces et de la main d'œuvre.
- N'utilisez aucun fusible (tel que du cuivre, un fil d'acier, etc.) autre qu'un fusible standard.
- Si votre réfrigérateur doit être réparé ou réinstallé, communiquez avec le centre de service le plus près.
 - Le non-respect de cette consigne risque d'entraîner un dysfonctionnement, un choc électrique, un incendie ou des blessures corporelles.
- Veuillez contacter votre centre de service Samsung le plus près lorsque l'ampoule DEL intérieure ou extérieure est grillée.
- Si le réfrigérateur dégage une odeur de brûlé ou de la fumée, débranchez-le immédiatement et prenez contact avec un centre de service Samsung.
 - Le non-respect de cette consigne risquerait de provoquer un incendie ou un choc électrique.
- Débranchez le réfrigérateur avant de remplacer les ampoules intérieures.
 - Sinon, il pourrait y avoir un risque de choc électrique.
- Communiquez avec votre centre de service Samsung si vous éprouvez des difficultés à remplacer une ampoule (qui n'est pas une DEL).
- Si l'appareil est équipé d'ampoules DEL, ne démontez pas vous-même les caches des lampes et les ampoules.
 - Contactez un centre de service Samsung.
- Branchez fermement la fiche dans la prise murale.
- N'utilisez pas de fiche d'alimentation endommagée, de cordon d'alimentation endommagé ou de prise murale mal fixée.
 - Un choc électrique ou un incendie pourraient en résulter.



Utilisation en toute sécurité

ATTENTION

- Ne recongelez pas un aliment qui a complètement décongelé. Ne mettez pas de boissons gazeuses dans la partie congélateur. Ne mettez pas de bouteilles ou de récipients en verre dans le congélateur.
 - Si le contenu gèle, le verre est susceptible de se briser et de provoquer des blessures corporelles.
- Utilisez uniquement la machine à glaçons fournie avec le réfrigérateur.
- Pour un fonctionnement optimal de l'appareil :
 - Ne placez pas d'aliments trop près des orifices de ventilation à l'arrière du réfrigérateur car ils pourraient empêcher la libre circulation de l'air dans la partie réfrigération.
 - Emballez bien les aliments ou mettez-les dans des récipients hermétiques avant de les placer dans le réfrigérateur.
 - Ne mettez pas de bouteilles en verre ni de boissons gazeuses dans le congélateur. Ils peuvent geler et se casser. Des contenants de verre ou de boisson peuvent causer une blessure.
 - Respectez les durées de congélation et les dates de péremption associées aux aliments surgelés.
- Ne placez pas de récipients ou de bouteilles en verre ni de boissons gazeuses dans le congélateur.
 - Le récipient peut geler et se briser, ce qui peut entraîner une blessure.
- Garantie de réparation et modification.
 - Les changements et modifications apportés à cet appareil par un tiers ne sont pas couverts par le service de garantie Samsung. Samsung ne peut être tenue responsable des problèmes de sécurité résultant des modifications apportées par un tiers.
- N'obstruez pas les orifices de ventilation à l'intérieur du réfrigérateur.
 - Si les ventilations d'air sont obstruées, notamment par un sac en plastique, le réfrigérateur risque de trop refroidir. Une période de refroidissement trop longue risque d'endommager le filtre à eau et de provoquer des fuites.
- Si le réfrigérateur est débranché de la prise d'alimentation, patientez au moins cinq minutes avant de le rebrancher.
- Si de grandes quantités d'eau entrent dans le réfrigérateur, débranchez la fiche d'alimentation et prenez contact avec un centre de service Samsung.
- Ne frappez pas une surface en verre ou n'y appliquez pas une force excessive.
 - Du verre brisé pourrait entraîner des blessures corporelles et/ou des dommages.
- Remplissez le réservoir et le bac à glaçons d'eau potable uniquement (eau du robinet, eau minérale ou eau purifiée).
 - Ne remplissez pas le réservoir avec du thé, du jus ou une boisson énergisante. Cela pourrait endommager le réfrigérateur.
- Si le réfrigérateur est inondé, coupez l'alimentation de ce dernier et prenez contact avec votre centre de service Samsung le plus près.
 - Un choc électrique ou un incendie pourraient en résulter.

Consignes de sécurité

Nettoyage en toute sécurité

ATTENTION

- Ne vaporisez pas directement de l'eau à l'intérieur ou à l'extérieur du réfrigérateur.
 - Risque d'incendie ou de choc électrique.
- N'utilisez pas de séchoir à cheveux pour sécher l'intérieur du réfrigérateur.
- Ne placez pas de bougie allumée à l'intérieur du réfrigérateur pour en éliminer les mauvaises odeurs.
 - Un choc électrique ou un incendie pourraient en résulter.
- Ne vaporisez pas de produit de nettoyage directement sur l'écran.
 - Les caractères imprimés risqueraient de s'effacer.
- Si un corps étranger tel que de l'eau a pénétré dans l'appareil, débranchez ce dernier et communiquez avec le centre de service le plus près.
 - Le non-respect de cette consigne risquerait de provoquer un incendie ou un choc électrique.
- Utilisez un chiffon propre et sec pour éliminer toute poussière ou corps étranger des lames de la fiche d'alimentation. N'utilisez pas de chiffon mouillé ou humide lors du nettoyage de la prise.
 - Sinon, il pourrait y avoir un risque d'incendie ou de choc électrique.
- Ne nettoyez pas l'appareil en vaporisant de l'eau directement sur celui-ci.
- N'utilisez pas de benzène, de diluant ou d'eau de Javel (Clorox) pour le nettoyage du réfrigérateur.
 - Ces produits risquent d'endommager la surface de l'appareil et de provoquer un incendie.
- Ne mettez jamais les doigts ni d'objets dans la sortie du distributeur.
 - Cela peut provoquer des blessures corporelles ou des dommages matériels.
- Débranchez l'appareil de la prise murale avant de le nettoyer et d'en faire l'entretien.
 - Le non-respect de cette consigne risquerait de provoquer un incendie ou un choc électrique.

Avertissements importants concernant la mise au rebut

AVERTISSEMENT

- **DANGER** : Les enfants risqueraient de se retrouver enfermés. Avant de jeter votre vieux réfrigérateur ou congélateur :
 - Retirez les portes et le loquet de la porte.
 - Ne retirez pas les tablettes afin que les enfants ne puissent pas facilement monter dans le réfrigérateur.
 - Les enfants qui se retrouvent coincés à l'intérieur peuvent se blesser ou suffoquer et en mourir.
- Jetez le matériel d'emballage de cet appareil dans le respect de l'environnement.
- Assurez-vous qu'aucun des tuyaux situés à l'arrière du réfrigérateur n'est endommagé avant sa mise au rebut.
- Le gaz réfrigérant utilisé est le R600a ou R134a. Vérifiez le gaz réfrigérant utilisé dans votre réfrigérateur sur l'étiquette du compresseur située à l'arrière de l'appareil ou sur l'étiquette signalétique située à l'intérieur du réfrigérateur. Si ce réfrigérateur contient du gaz inflammable (gaz réfrigérant R-600a), veuillez communiquer avec les autorités locales pour obtenir des renseignements sur la mise au rebut en toute sécurité de votre appareil.
- Lors de la mise au rebut de ce réfrigérateur, retirez la porte/les joints de porte ainsi que le loquet de la porte afin que des petits enfants ou des animaux ne puissent pas se retrouver enfermés à l'intérieur. Il est nécessaire de surveiller les enfants pour s'assurer qu'ils ne jouent pas avec l'appareil.
 - S'il se retrouve emprisonné à l'intérieur, l'enfant risquerait de se blesser ou de s'asphyxier.
- Du cyclopentane est utilisé comme isolant. Les gaz utilisés pour l'isolation nécessitent une procédure d'élimination spéciale. Pour obtenir des renseignements sur la façon écologique de mettre ce produit au rebut, veuillez communiquer avec les autorités locales.
- Conservez les matériaux d'emballage hors de portée des enfants, car ils présentent un danger pour ces derniers.
 - Un enfant pourrait suffoquer s'il met sa tête dans un sac.



Consignes de sécurité

1. Avis d'application de la réglementation

1.1 Avis de la FCC

MISE EN GARDE DE LA FCC :

Tout changement ou modification, non expressément approuvé par la partie responsable de la conformité, peut annuler l'autorisation de l'utilisateur à utiliser cet équipement.

Contient un Module émetteur FCC ID : A3LWIDT30Q, A3LWIBT30D

Cet appareil est conforme aux exigences de la partie 15 du règlement de la FCC. Son utilisation est assujettie aux deux conditions suivantes :

- (1) Cet appareil ne doit pas causer de brouillages préjudiciables, et
- (2) Cet appareil doit absorber tout type d'interférence, y compris les interférences pouvant causer un fonctionnement non désiré.

Pour les produits offerts sur les marchés des États-Unis et du Canada, seuls les canaux 1 à 11 peuvent être utilisés.

Vous ne pouvez pas sélectionner d'autres canaux.

DÉCLARATION DE LA FCC :

Cet appareil a été testé et classé dans la catégorie des appareils numériques de classe B conformément avec la partie 15 du règlement de la FCC. Ces limites sont conçues pour fournir une protection raisonnable contre les interférences nuisibles dans une installation domestique.

Cet appareil génère, utilise et émet des fréquences radioélectriques et peut, en cas d'installation ou d'utilisation non conforme aux instructions, engendrer des interférences nuisibles au niveau des communications radio. Cependant, il se peut que des interférences se produisent dans une installation particulière. En cas d'interférences avec la réception radiophonique ou télévisuelle, qui peuvent être vérifiées en mettant l'équipement hors, puis sous tension, l'utilisateur peut tenter de résoudre le problème de l'une des façons suivantes :

- Réorienter ou repositionner l'antenne de réception
- Augmenter l'espacement entre l'équipement et le récepteur
- Brancher l'équipement à une prise se trouvant sur un circuit différent de celui auquel le récepteur est branché.
- Consulter le fournisseur ou un technicien en radio et télévision expérimenté pour obtenir de l'aide

DÉCLARATION DE LA FCC SUR L'EXPOSITION AUX IRRADIATIONS :

Cet équipement répond aux limites de la FCC sur l'exposition aux rayonnements établies pour un environnement non contrôlé.

Cet équipement doit être installé et utilisé à une distance minimale de 8 pouces (20 cm) entre le radiateur et votre corps. Cet appareil et ses antennes ne doivent pas être co-localisés ou fonctionner en conjonction avec toute autre antenne ou émetteur, sauf s'il/elle est conforme aux procédures relatives aux produits à émetteurs multiples de la FCC.



1.2 Avis d'IC

Contient un IC de module émetteur : 649E-WIDT30Q, 649E-WIBT30D

Le terme « IC » placé avant le numéro de certification pour les radiofréquences signifie seulement que les spécifications techniques d'Industry Canada ont été respectées. Son utilisation est assujettie aux deux conditions suivantes : (1) cet appareil ne doit pas provoquer d'interférence et (2) il doit absorber tout type d'interférence, y compris les interférences pouvant causer un fonctionnement non désiré.

Cet appareil numérique de classe B est conforme à l'ICES-003 (Canada).

Cet appareil numérique de la classe B est conforme à la norme NMB-003 du Canada.

Pour les produits offerts sur les marchés des États-Unis et du Canada, seuls les canaux 1 à 11 peuvent être utilisés. Vous ne pouvez pas sélectionner d'autres canaux.

DÉCLARATION D'IC QUANT À L'EXPOSITION AUX RAYONNEMENTS :

Cet équipement répond aux limites de l'IC RSS-102 sur l'exposition aux rayonnements établies pour un environnement non contrôlé. Cet équipement doit être installé et utilisé à une distance minimale de 8 pouces (20 cm) entre le radiateur et votre corps. Cet appareil et ses antennes ne doivent pas être co-localisés ou fonctionner en conjonction avec toute autre antenne ou émetteur, sauf s'il/elle est conforme aux procédures relatives aux produits à émetteurs multiples de la FCC.

CONSERVEZ CES INSTRUCTIONS

Installation

Suivez attentivement ces instructions afin d'éviter tout accident et de garantir la bonne installation de ce réfrigérateur.

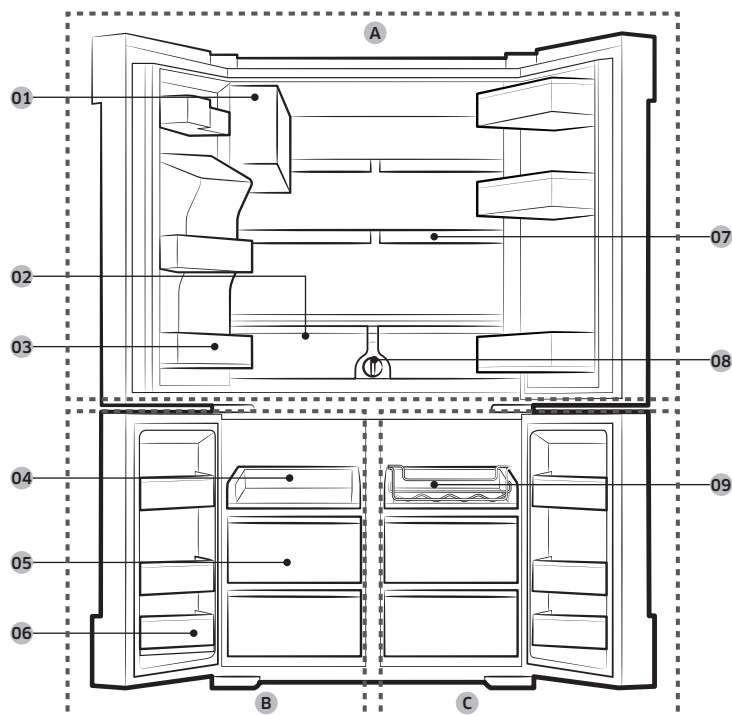
AVERTISSEMENT

- N'utilisez ce réfrigérateur que conformément à l'usage auquel il est destiné, en suivant scrupuleusement les instructions du manuel.
- Toute opération de maintenance doit être effectuée par un technicien qualifié.
- Jetez le matériel d'emballage de cet appareil conformément aux réglementations locales.
- Pour éviter tout risque d'électrocution, débranchez le cordon d'alimentation avant un entretien.

Présentation rapide du réfrigérateur

REMARQUE

Les illustrations des pièces dans le présent manuel par rapport à l'apparence réelle des pièces et composants fournis avec le réfrigérateur peuvent varier en fonction du modèle et de votre pays.



-
- | | |
|---|-----------------------------------|
| 01 Machine à glaçons automatique (Ice Master) | A. Réfrigérateur |
| 02 Tiroirs à fruits et légumes frais EZ | B. Congélateur |
| 03 Compartiment multi-usage à rebords du réfrigérateur | C. Zone ajustable FlexZone |
| 04 Tablette à coulissement aisé | |
| 05 Tiroirs à aliments secs et viande | |
| 06 Bacs des portes du congélateur | |
| 07 Tablette de gain d'espace rapide | |
| 08 Filtre à eau | |
| 09 Casier à bouteilles de vin | |

* modèles applicables uniquement

REMARQUE

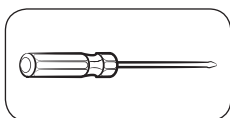
- Pour assurer l'efficacité énergétique de l'appareil, gardez les clayettes, tiroirs et corbeilles dans leur position d'origine.
- Lorsque vous fermez la porte, assurez-vous que la section à charnière verticale est correctement positionnée afin d'éviter que l'autre porte ne soit rayée.
- Si la section à charnière verticale est inversée, remettez-la correctement en place et fermez la porte.
- Il se peut que de l'humidité se forme parfois sur la section à charnière verticale.
- Si vous forcez la fermeture d'une porte, il est possible que l'autre porte s'ouvre.
- Lorsque la porte s'ouvre, le commutateur d'interverrouillage désactive automatiquement le moteur à vis sans fin de la machine à glaçons pour des raisons de sécurité.
- Si l'ampoule à DEL interne ou externe est hors service, contactez un centre de service Samsung local.

Installation

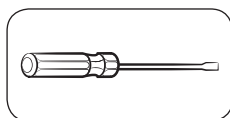
Retrait de la porte pour le passage de la porte d'entrée

Si le réfrigérateur ne peut pas passer la porte d'entrée de votre maison ou de votre cuisine en raison de sa taille, suivez ces instructions pour retirer et remettre en place les portes du réfrigérateur. S'il n'est pas nécessaire de retirer les portes, consultez les instructions d'installation en page 26.

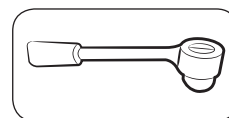
Outils requis (non fournis)



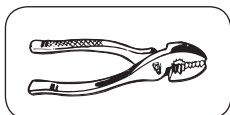
Tournevis cruciforme



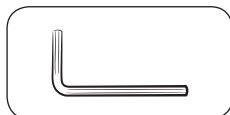
Tournevis à tête plate



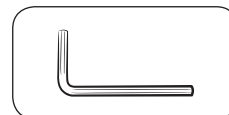
Clé à douille (10 mm)



Pinces

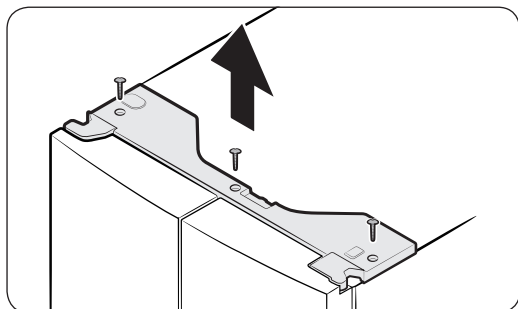


Clé hexagonale (4 mm)

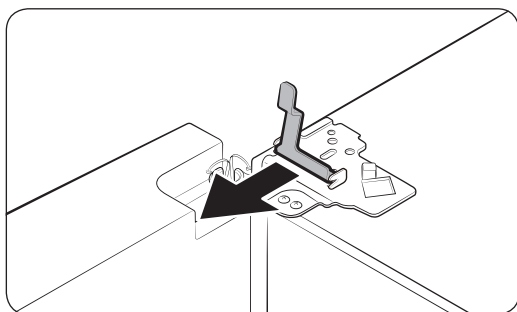
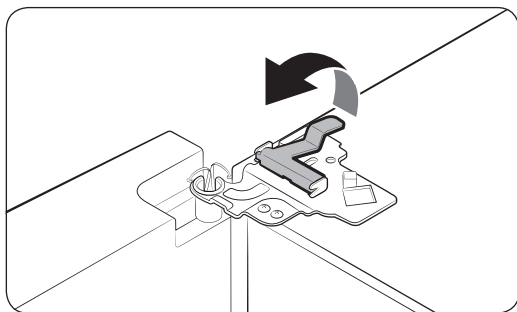
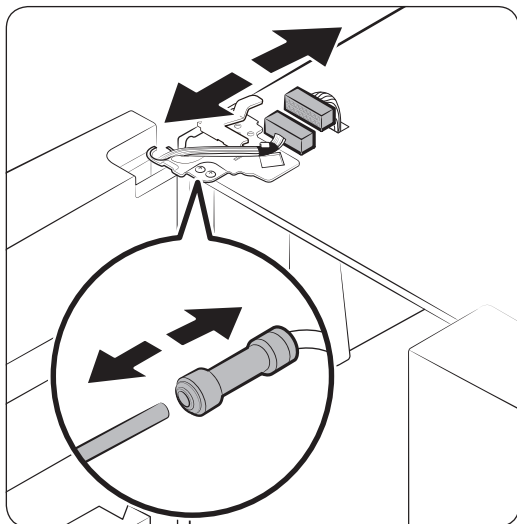


Clé hexagonale (5 mm)

Démonter les portes du réfrigérateur



1. Après avoir fermé la porte, utilisez un tournevis cruciforme pour retirer les vis (x3) au niveau du cache supérieur. Tirez le cache supérieur vers le haut pour le retirer avec les connecteurs.



2. Débranchez les deux serre-fils sur la porte gauche. La position des connecteurs diffère selon le modèle.

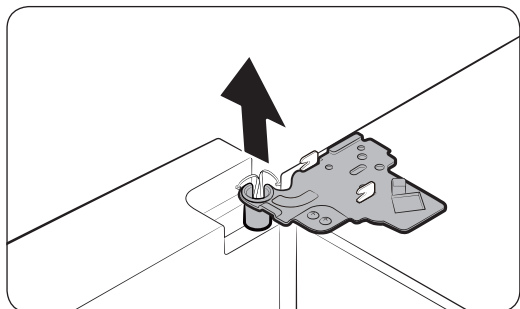
! ATTENTION

- Ne retirez pas les deux portes simultanément. Assurez-vous de retirer une seule porte à la fois. Sinon, l'une des portes peut tomber et entraîner des blessures.
 - Assurez-vous que le réfrigérateur est hors tension avant de débrancher les connecteurs.
3. Débranchez le tuyau d'eau au niveau du coupleur sur la porte gauche, comme indiqué.

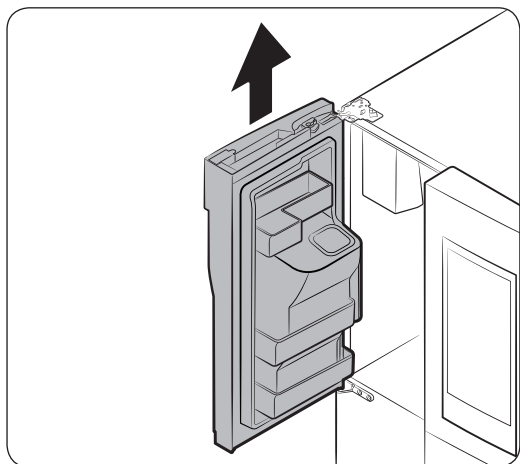
4. Tirez doucement le collier en plusieurs étapes. Pour éviter de vous blesser les doigts, n'exercez pas de pression soudaine sur le collier.

5. Tirez le collier vers le haut pour le retirer.

Installation



6. Ouvrez la porte à 90 degrés. Tout en tenant la porte, soulevez et retirez la charnière supérieure. Prenez garde à ne pas endommager les fils des connecteurs lors du démontage de la charnière.

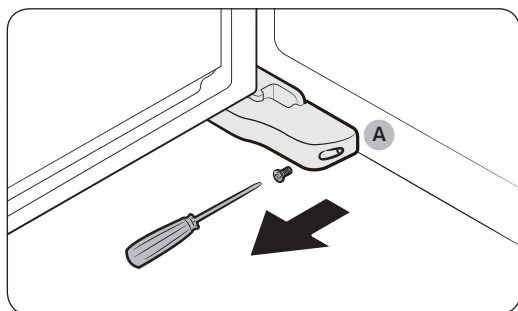


7. Tirez doucement la porte vers le haut à la verticale pour la retirer. N'exercez pas de pression excessive sur la porte. La porte peut tomber et entraîner des blessures.
8. Allongez la porte sur une surface plane.
9. Recommencez les étapes ci-dessus pour l'autre porte, sauf pour l'étape 3. Il n'y a aucun tuyau d'eau sur la porte côté droit.

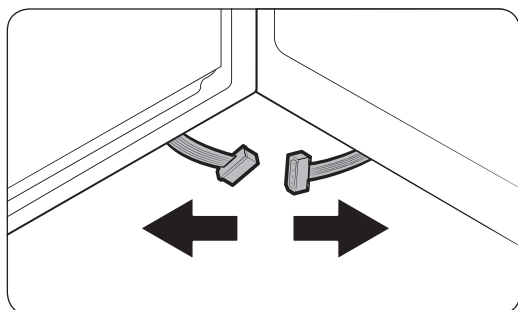
Démonter les portes du congélateur

⚠ ATTENTION

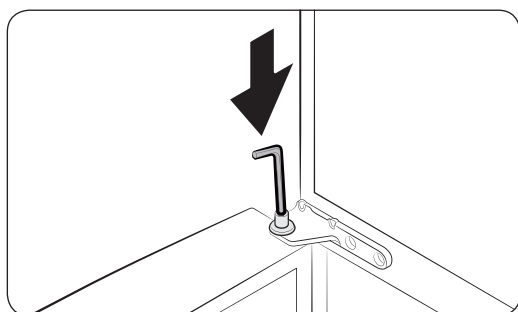
- Assurez-vous de retirer les portes du réfrigérateur avant celles du congélateur.
- Faites preuve de prudence lors du débranchement des connecteurs inférieurs.



1. Après avoir ouvert la porte du congélateur, utilisez un tournevis cruciforme pour retirer la vis fixant en place le **cache (A)** du pied réglable.

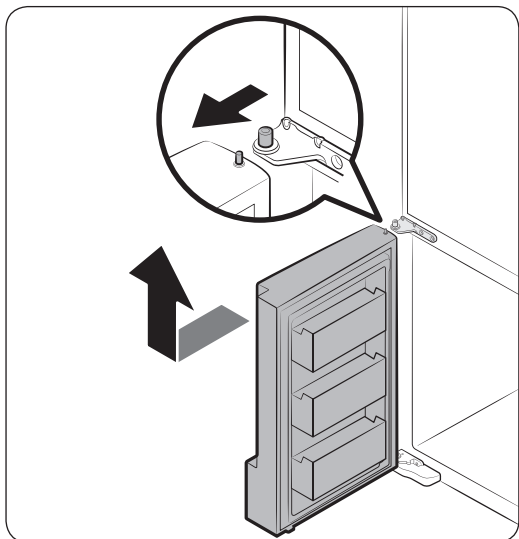


2. Débranchez les serre-fils.



3. Repérez l'arbre de la charnière. Tout en tenant la porte avec une main, utilisez un tournevis à tête plate ou une clé pour appuyer sur l'arbre. Assurez-vous de bien tenir la porte afin d'éviter qu'elle ne tombe.

Installation

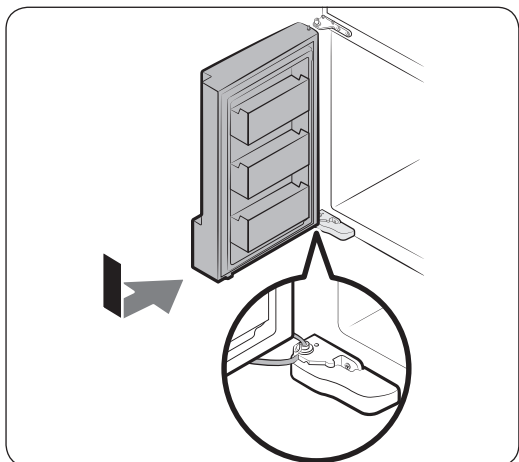


4. Pour éviter tout contact avec la charnière centrale, inclinez légèrement la porte en avant puis soulevez-la pour la retirer.
5. Recommencez les étapes ci-dessus pour l'autre porte.

Réinstallation des portes du congélateur

ATTENTION

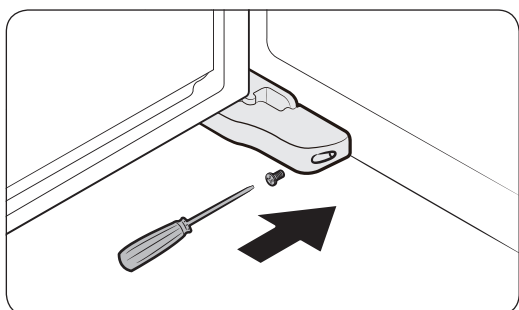
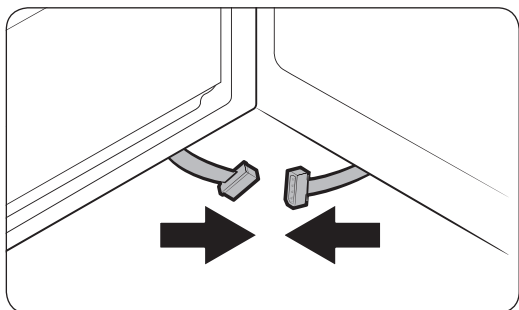
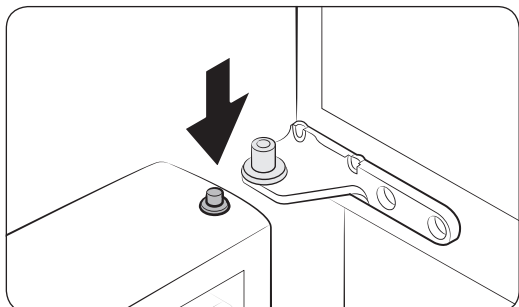
- Avant de remettre en place les portes, assurez-vous que tous les connecteurs électriques sont correctement branchés.
- Les portes du congélateur doivent être remises en place avant celles du réfrigérateur.
- Veillez à ne pas endommager ou à ne pas marcher sur les fils pendant ce processus.



1. Insérez la porte du congélateur dans la charnière inférieure, tout en la poussant dans le sens de la flèche.

ATTENTION

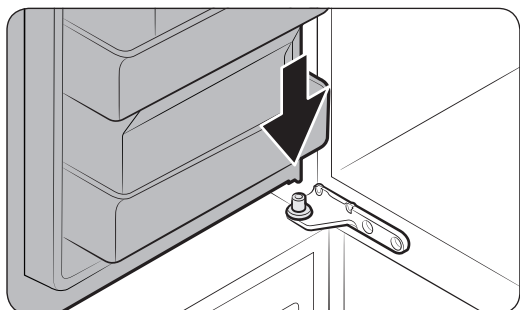
- Veillez à ne pas endommager ou à ne pas marcher sur les fils pendant ce processus.



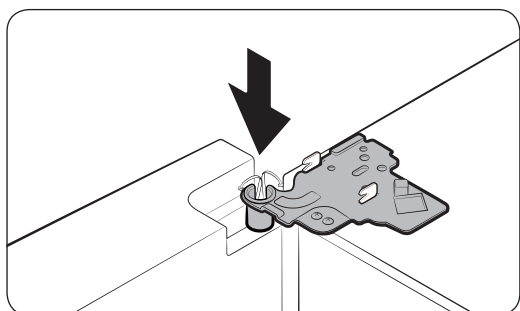
2. Tout en appuyant sur l'arbre de charnière de la porte, positionnez la porte de sorte que l'arbre de charnière se trouve en-dessous du trou de l'arbre dans la charnière centrale. Relâchez l'arbre de la charnière de sorte qu'il pénètre dans le trou de l'arbre.
3. Après avoir ouvert la porte, branchez les connecteurs inférieurs dans le sens des flèches.
4. Fixez le cache du pied de mise à niveau à l'aide d'un tournevis cruciforme. Veillez à ne pas endommager ou à ne pas marcher sur les connecteurs.
5. Recommencez les étapes ci-dessus pour l'autre porte.

Installation

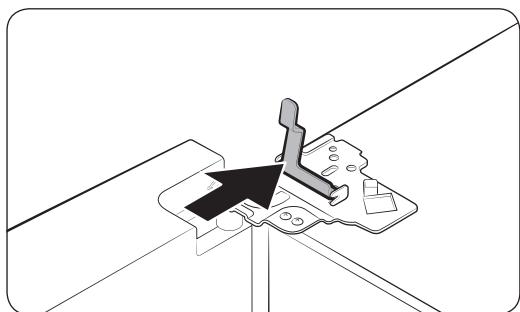
Réinstallation des portes du réfrigérateur



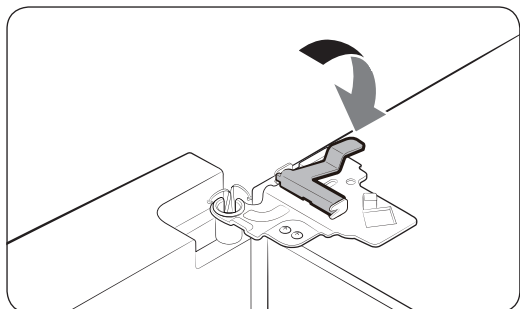
1. Tout en maintenant la porte ouverte à plus de 90 degrés, insérez l'arbre sur la charnière centrale dans le trou situé au bas de la porte.



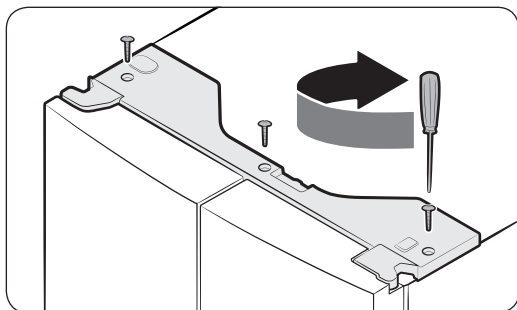
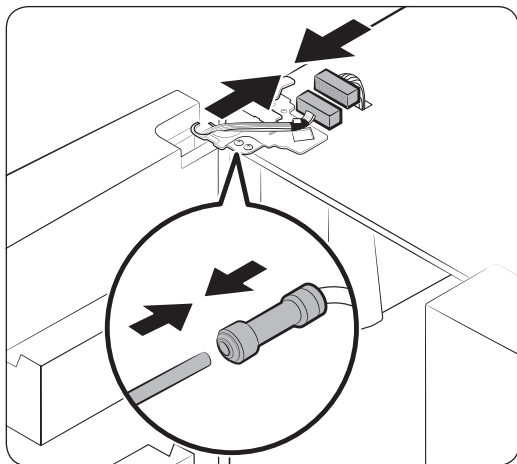
2. Mettez la charnière supérieure en position sur le haut du réfrigérateur, puis insérez l'arbre de la charnière dans le trou supérieur de la porte. Assurez-vous que les fils de la porte passent à travers le trou dans l'arbre de la charnière.



3. Insérez le collier dans le sens de la flèche.



4. Repoussez le collier comme indiqué.



5. Branchez les serre-fils.

! ATTENTION

- Assurez-vous que les serre-fils sont correctement branchés. Si ce n'est pas le cas, l'écran ne fonctionnera pas.

6. Raccordez le tuyau d'eau.

! ATTENTION

- Pour éviter des fuites d'eau, assurez-vous que les brides rouges serrent le coupleur de façon appropriée.
- Gardez les brides hors de la portée des enfants.

7. Recommencez les étapes ci-dessus pour l'autre porte, sauf pour l'étape 6. La porte de droite ne dispose pas d'un tuyau d'eau.

8. Remettez le cache supérieur en place en commençant par l'avant, puis appuyez derrière pour le mettre en position. Ensuite, serrez les vis (x3).

Installation

Installation étape par étape

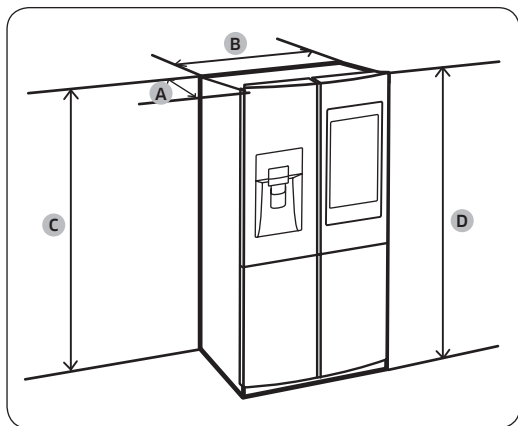
ÉTAPE 1 Sélectionner un site

Le site doit :

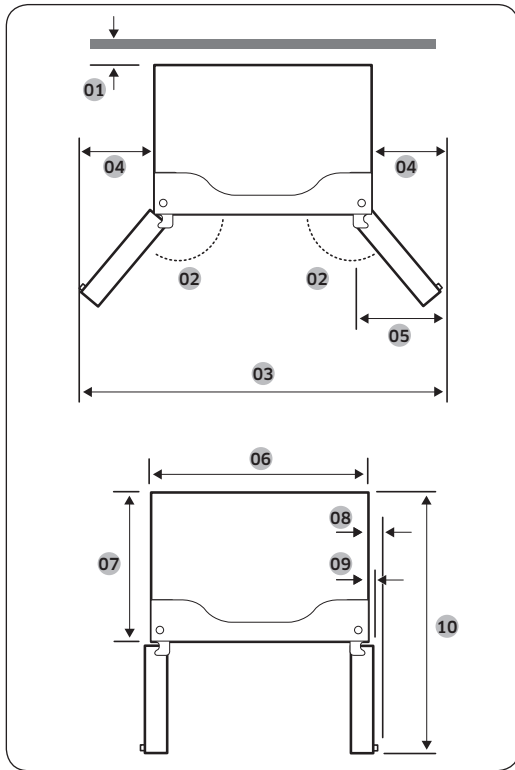
- avoir une surface stable et plane sans moquette et sans revêtement de sol pouvant obstruer la ventilation ;
- être à l'abri de la lumière directe du soleil ;
- disposer d'un espace adéquat pour ouvrir et fermer la porte ;
- être éloigné de toute source de chaleur ;
- laisser un espace suffisant pour effectuer des travaux de maintenance et d'entretien ;
- se trouver dans une plage de températures comprise entre 50 °F (10 °C) et 110 °F (43 °C).

Espace

Reportez-vous aux images et au tableau ci-dessous, ainsi qu'à la page suivante, pour connaître les exigences d'espace pour l'installation.



Modèle	RF22K*	RF28K*
Profondeur « A »	28 ⁷ / ₈ " (733 mm)	34 ¹ / ₄ " (871 mm)
Largeur « B »	35 ³ / ₄ " (908 mm)	35 ³ / ₄ " (908 mm)
Hauteur « C »	70 ³ / ₄ " (1797 mm)	70 ³ / ₄ " (1797 mm)
Hauteur totale « D »	71 ⁷ / ₈ " (1825 mm)	71 ⁷ / ₈ " (1825 mm)



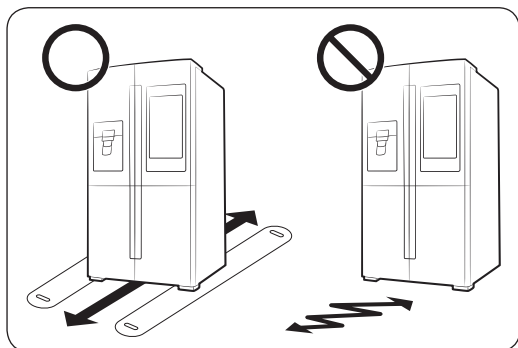
	RF22K*	RF28K*
01	2" (50 mm)	2" (50 mm)
02	125°	125°
03	59 5/8" (1515 mm)	59 5/8" (1515 mm)
04	11 7/8" (303 mm)	11 7/8" (303 mm)
05	12" (305 mm)	12" (305 mm)
06	35 3/4" (908 mm)	35 3/4" (908 mm)
07	24" (610 mm)	29 3/8" (748 mm)
08	2 3/4" (70 mm)	2 3/4" (70 mm)
09	1 3/4" (43 mm)	1 3/4" (43 mm)
10	42 5/8" (1083 mm)	48 1/8" (1221 mm)

REMARQUE

Les mesures de votre réfrigérateur peuvent différer de celles répertoriées ci-dessus, en fonction de la méthode de mesure.

Installation

ÉTAPE 2 Sol



- La surface de l'emplacement d'installation doit supporter le poids d'un réfrigérateur plein.
- Pour protéger le sol, placez un grand morceau de carton sous chaque pied du réfrigérateur lorsque vous le déplacez pour l'installation.
- Pour protéger le sol, lorsque le réfrigérateur se trouve dans sa position finale, ne le déplacez plus sauf si cela est nécessaire. Si vous devez le déplacer, mettez du papier ou un chiffon épais tel qu'un morceau de vieille moquette le long du chemin de transport.

REMARQUE

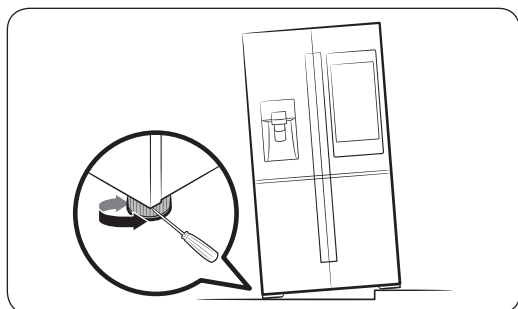
Si le réfrigérateur ne peut passer la porte d'entrée de votre maison ou de votre cuisine en raison de sa taille, reportez-vous à la section **Retrait de la porte pour le passage de la porte d'entrée** en page 18.

ÉTAPE 3 Régler les pieds de mise à niveau

ATTENTION

- Une fois installé, le réfrigérateur doit être mis à niveau sur un sol plat et solide. Ne pas mettre à niveau le réfrigérateur peut causer des dommages sur le réfrigérateur ou des blessures corporelles.
- La mise à niveau doit être effectuée sur un réfrigérateur vide. Assurez-vous qu'aucun aliment n'est encore présent à l'intérieur du réfrigérateur.
- Pour des raisons de sécurité, le côté avant doit être légèrement plus élevé que le côté arrière.

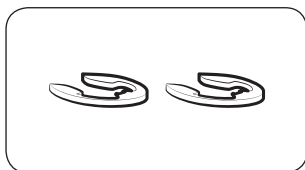
Vous pouvez mettre le réfrigérateur à niveau à l'aide des pieds avant. Les pieds avant sont dotés d'une vis spéciale (vis de mise à niveau) destinée à la mise à niveau de l'appareil. Utilisez un tournevis à tête plate pour le mettre à niveau.



- Pour ajuster la hauteur côté gauche : Insérez un tournevis à tête plate dans la vis de mise à niveau sur le pied avant côté gauche. Faites tourner la vis de mise à niveau dans le sens horaire pour relever le réfrigérateur et dans le sens antihoraire pour l'abaisser.
- Pour ajuster la hauteur côté droit : Insérez un tournevis à tête plate dans la vis de mise à niveau sur le pied avant côté droit. Faites tourner la vis de mise à niveau dans le sens horaire pour relever le réfrigérateur et dans le sens antihoraire pour l'abaisser.

Installation

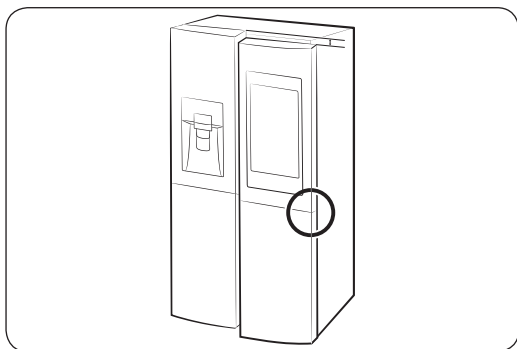
ÉTAPE 4 Ajuster la hauteur de la porte ainsi que l'écart entre les portes



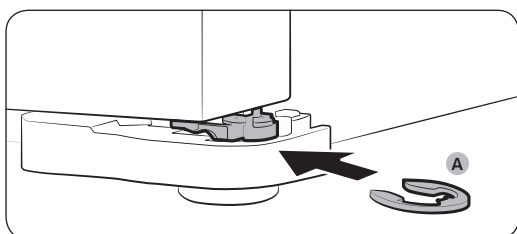
Circlip

La hauteur d'une porte peut être ajustée à l'aide des circlips fournis, qui sont disponibles dans 4 tailles différentes (1 mm, 1,5 mm, 2 mm et 2,5 mm).

Ajuster la hauteur d'une porte



1. Vérifiez la différence de hauteur entre les portes, puis soulevez et maintenez la porte inférieure en place.

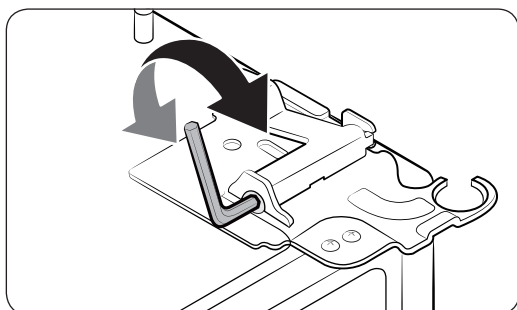
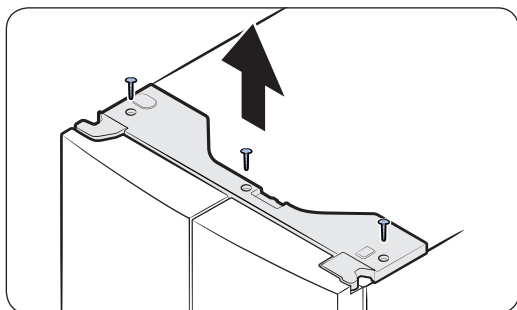
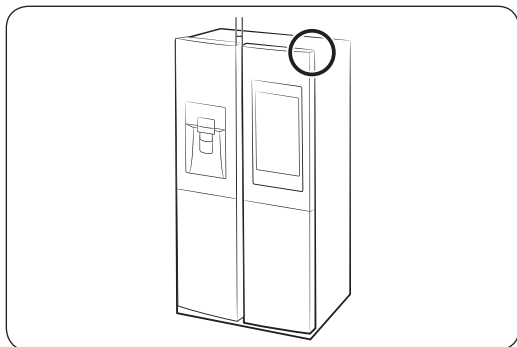


2. Insérez un circlip (A) de taille appropriée entre la porte et la charnière, comme indiqué.

⚠ ATTENTION

- Insérez un seul circlip pour ce processus. Si vous insérez deux circlips ou plus, ils pourraient glisser et tomber ou émettre un bruit de frottement.
- Tenez les circlips hors de la portée des enfants et conservez-les pour une utilisation ultérieure.
- Ne soulevez trop la porte non plus. La porte peut entrer en contact avec le cache supérieur et l'endommager.

Corriger l'écart entre les portes



Les écarts entre les portes peuvent être corrigés à l'aide du boulon d'écart sur le coin supérieur droit du réfrigérateur.

1. Après avoir fermé la porte, utilisez un tournevis cruciforme pour retirer 6 vis sur le cache supérieur avec les serre-fils.
2. Utilisez une clé Allen de 4 mm (non fournie) pour corriger l'écart entre les deux portes.
 - Pour agrandir l'écart, faites tourner le boulon d'écart dans le sens horaire.
 - Pour rétrécir l'écart, faites tourner le boulon d'écart dans le sens antihoraire.
3. Une fois l'opération terminée, réinstallez le cache supérieur.

! ATTENTION

Les connecteurs électriques doivent être laissés intacts pendant ce processus. Veillez à ne pas enchevêtrer les fils des connecteurs ou à ne pas dénuder leur revêtement.

Installation

ÉTAPE 5 Raccorder le circuit du distributeur d'eau

Le distributeur d'eau avec filtre est l'une des caractéristiques très pratiques que vous offre votre nouveau réfrigérateur. Afin de préserver votre santé, le filtre supprime toutes les particules indésirables présentes dans l'eau. Toutefois, il ne permet pas de stériliser ni de détruire les micro-organismes. Pour cela, un purificateur d'eau est nécessaire.

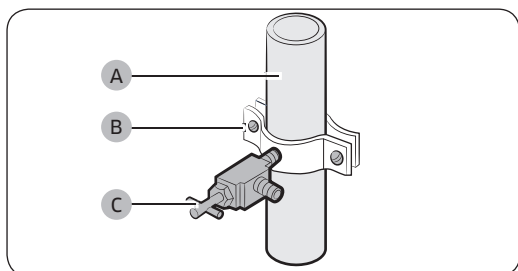
Le tuyau d'alimentation en eau est également connecté à la machine à glaçons. Pour que la machine à glaçons puisse fonctionner correctement, la pression de l'eau doit se situer entre 20 et 125 psi.

Si le réfrigérateur est installé dans une zone où la pression de l'eau est faible (inférieure à 20 psi), vous pouvez installer une pompe de surpression pour compenser la faible pression.

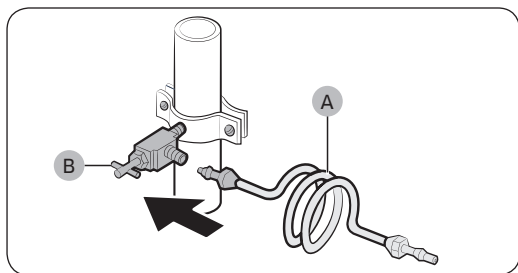
Après avoir raccordé le tuyau d'eau, assurez-vous que le réservoir d'eau à l'intérieur du réfrigérateur est bien rempli. Pour cela, appuyez sur le levier du distributeur d'eau jusqu'à ce que l'eau s'écoule par la sortie d'eau.

REMARQUE

- Des trousse d'installation de conduite d'eau sont disponibles auprès de votre détaillant contre un supplément. Il est recommandé d'utiliser un kit d'installation de conduite d'eau composé d'un tube en cuivre et d'un écrou de serrage de 6 mm (1/4").
- Utilisez uniquement les nouveaux tuyaux fournis avec l'appareil. Ne réutilisez pas d'anciens tuyaux.



1. Coupez la source d'eau principale.
2. Insérez le collier de fixation (B) et le robinet de sectionnement (C) dans la conduite d'eau froide (A).

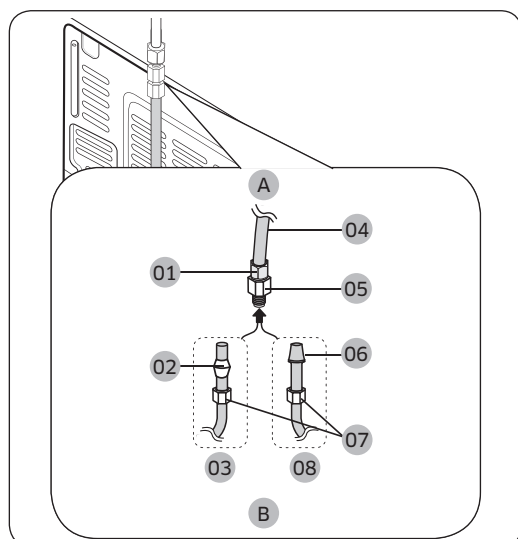


3. Raccordez le kit d'installation de conduite d'eau (A) au robinet de sectionnement (B).

Raccorder le tuyau d'alimentation en eau au réfrigérateur

Vous devez acheter plusieurs éléments pour effectuer ce raccordement. Ces accessoires sont en vente sous forme de trousse à votre quincaillerie locale.

Tube en cuivre	<ul style="list-style-type: none">• Tube en cuivre 1/4"• Écrou de serrage de 1/4" (1 pièce)• Bague (2 pièces)
Tube en plastique	<ul style="list-style-type: none">• Tube en plastique 1/4" → Extrémité moulée (en forme de poire)• Écrou de serrage 1/4" (1 pièce)



- A. Réfrigérateur
- B. Conduite d'eau domestique
- 01 Écrou de serrage (1/4") (Assemblé)
- 02 Bague (non fournie)
- 03 Tube en cuivre (non fourni)
- 04 Tube en plastique (assemblé)
- 05 Raccord à compression (assemblé)
- 06 Extrémité moulée (en forme de poire)
- 07 Écrou de serrage (B) (1/4") (non fourni)
- 08 Tube en plastique (A) (non fourni)

1. Reliez la conduite d'eau domestique au raccord à compression assemblé.
 - Si vous utilisez un tube en cuivre, faites glisser l'**écrou de serrage (B)** (non fourni) et la **bague** (non fournie) sur le tube en cuivre (non fourni) comme illustré.
 - Si vous utilisez un tube en plastique (A), insérez l'extrémité moulée (en forme de poire) du tube en plastique (A) dans le raccord à compression.

⚠ ATTENTION

Si vous utilisez un tube en plastique (A), ne l'utilisez pas sans l'extrémité moulée (en forme de poire).

2. Serrez l'**écrou de serrage (B)** sur le **raccord à compression**. Assurez-vous de ne pas trop serrer l'**écrou de serrage (B)**.
3. Ouvrez l'alimentation en eau et vérifiez qu'il n'y a pas de fuite. Si vous détectez des gouttes ou des fuites d'eau au niveau du raccord, fermez l'alimentation en eau principale. Vérifiez les branchements et resserrez si nécessaire.

Installation

4. Laissez s'écouler 1 gallon d'eau à travers le filtre avant de consommer ou d'utiliser l'eau du réfrigérateur (laissez s'écouler l'eau pendant environ 6 minutes). Pour ce faire, appuyez sur le levier du distributeur d'eau avec un verre ou une tasse de grande taille. Remplissez le verre, videz-le, puis recommencez.
5. Après avoir mis le réfrigérateur en marche, patientez 1 à 2 jours avant de vous servir de la machine à glaçons. Pendant cette période, jetez les 1 ou 2 premiers bacs de glaçons afin d'évacuer toutes les impuretés de la conduite d'eau.

REMARQUE

Raccordez la conduite d'eau à une source d'eau potable uniquement.

- Si vous devez réparer ou démonter la conduite d'eau, coupez environ 1/4" du tube en plastique afin d'assurer un raccordement sûr et étanche.
- Vous pouvez rapidement tester la conduite d'eau à l'aide d'un gobelet. Dans des conditions normales, le distributeur d'eau remplit un gobelet de 5 oz 3/4 (170 cm³) en environ 10 secondes.

ÉTAPE 6 Réglages initiaux

Une fois les étapes suivantes terminées, le réfrigérateur doit fonctionner entièrement.

1. Insérez la fiche d'alimentation dans la prise murale pour allumer le réfrigérateur.
2. Ouvrez la porte et vérifiez si l'éclairage à l'intérieur s'allume.
3. Réglez la température sur le paramètre le plus froid et patientez environ une heure. Le congélateur est légèrement réfrigéré et le moteur doit tourner doucement.
4. Attendez jusqu'à ce que le réfrigérateur atteigne la température réglée. Le réfrigérateur est désormais prêt l'emploi.

ÉTAPE 7 Vérification finale

Lorsque l'installation est terminée, vérifiez les points suivants :

- Le réfrigérateur est branché sur une prise électrique et correctement mis à la terre.
- Le réfrigérateur est installé sur une surface plane et à une distance appropriée de tout mur ou de toute armoire.
- Le réfrigérateur est mis à niveau et positionné fermement au sol.
- La porte s'ouvre et se ferme sans obstacles et l'éclairage intérieur s'allume automatiquement dès que vous ouvrez la porte.

Opérations

Interface utilisateur

REMARQUE

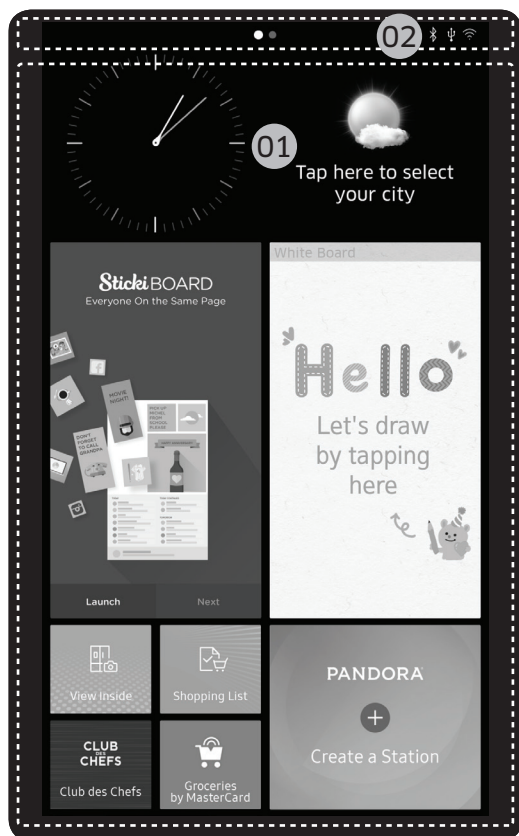
- Pour obtenir des informations détaillées sur les fonctions du réfrigérateur et les applications, reportez-vous au manuel d'utilisation disponible sur l'écran LCD de votre réfrigérateur.
- Le contenu des applications et des widgets est soumis à modifications. La prise en charge peut être interrompue sans préavis, en fonction de la politique du fournisseur du contenu.
- Les transactions réalisées par des mineurs avec les services doivent être supervisées par des adultes.



- 01 Écran d'accueil
- 02 Barre des tâches

Opérations

01 Écran d'accueil



01 Applications et widgets

- Appuyez doucement sur l'application ou le widget souhaité(e) pour l'ouvrir.
- Maintenez le doigt appuyé sur une application ou un widget pour entrer en Edit mode (Mode de modification). Une grille apparaît. En Edit mode (Mode d'édition), vous pouvez faire glisser et déposer l'application ou le widget à un autre emplacement sur la grille. Dans ce cas, l'emplacement choisi s'affiche en bleu s'il est disponible. S'il ne l'est pas, il apparaît en rouge.

02 Barre d'état

- **Bluetooth** (📶): Indique l'état de la connexion Bluetooth.
- **USB** (🔌): Indique l'état de la connexion USB.

REMARQUE

Le réfrigérateur prend en charge les clés de mémoire USB qui sont formatées au système de fichiers FAT32 ou exFAT. NTFS n'est pas pris en charge. Assurez-vous de convertir NTFS en FAT32 ou en exFAT avant utilisation.

- **Network (Réseau)** (📶): Indique l'état de la connexion au réseau avec 5 niveaux (Désactivée, puis 1 à 4).

02 Barre des tâches

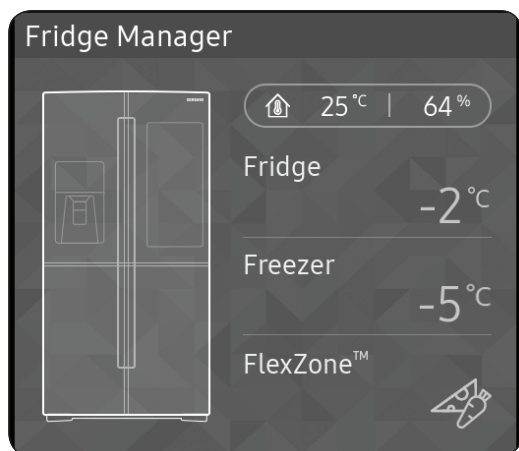


01 Microphone	Appuyez doucement dessus pour activer ou désactiver la fonction de reconnaissance vocale. L'icône du microphone devient rouge lorsqu'il est désactivé.
02 Menu	Appuyez doucement dessus pour afficher les menus disponibles.
03 Home (Accueil)	<ul style="list-style-type: none">• Appuyez doucement dessus pour ouvrir l'écran d'accueil.• Maintenez le doigt appuyé dessus pour ouvrir le Task Manager (Gestionnaire des tâches). Reportez-vous à la section Task Manager (Gestionnaire des tâches) pour en savoir plus.
04 Return (Retour)	Appuyez doucement dessus pour revenir à l'écran précédent.
05 Notification	Appuyez doucement dessus pour afficher le Quick Panel (Panneau de contrôle rapide).

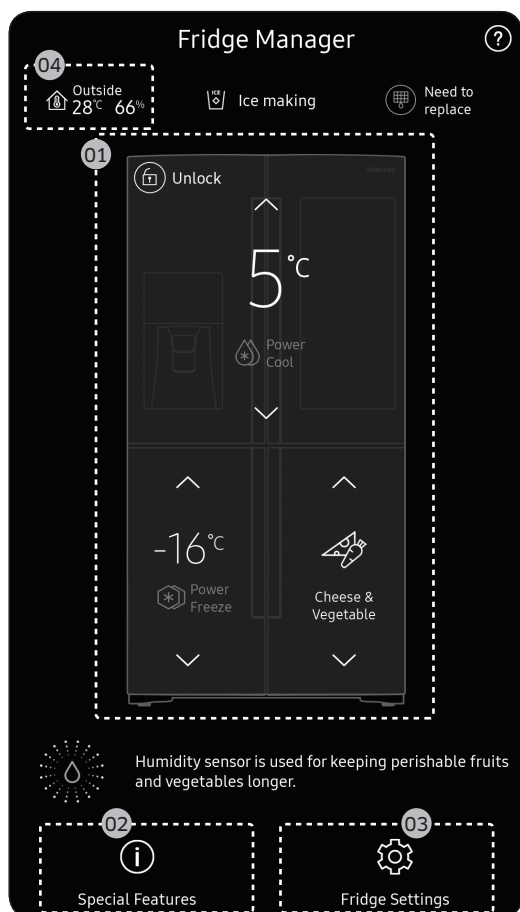
Opérations

Gestionnaire du réfrigérateur

Pour accéder à la fonction Fridge Manager (Gestionnaire du réfrigérateur), faites glisser l'écran d'accueil vers la gauche, puis tapez sur le widget **FRIDGE MANAGER (GESTIONNAIRE DU RÉFRIGÉRATEUR)** widget.



- Sur le widget Fridge Manager (Gestionnaire du réfrigérateur), les températures actuelles du réfrigérateur et du congélateur s'affichent, de même que les fonctions spéciales actives.
- Pour accéder aux paramètres détaillés, appuyez doucement sur le widget pour ouvrir le Fridge Manager (Gestionnaire du réfrigérateur).



La fonction Fridge Manager (Gestionnaire du réfrigérateur) est une représentation graphique de votre réfrigérateur. La partie du haut représente le compartiment réfrigérateur, tandis que celle en bas à gauche renvoie au congélateur et celle en bas à droite, à la zone ajustable FlexZone. Les réglages de température et de mode associés à chacun d'entre eux sont indiqués au-dessous de chaque section. Présentation rapide de la fonction Fridge Manager (Gestionnaire du réfrigérateur)

01 Température

Vous permet de régler la température dans les sections Fridge (Réfrigérateur), Freezer (Congélateur) et FlexZone (zone ajustable FlexZone). Vous pouvez également activer ou désactiver la fonction Power Cool (Refroidissement rapide) du réfrigérateur et la fonction Power Freeze (Congélation rapide) du congélateur.

- La fonction Power Freeze (Congélation rapide) accélère le processus de congélation (ventilateur à vitesse maximale). Le congélateur fonctionne à vitesse maximale durant plusieurs heures avant de revenir à la température précédente.
- Pour congeler une grande quantité d'aliments, activez la fonction Power Freeze (Congélation rapide) au moins 20 heures avant de placer les aliments dans le congélateur.

REMARQUE

L'utilisation de la fonction Power Freeze (Congélation rapide) augmente la consommation électrique. Assurez-vous de l'éteindre pour revenir à la température précédente si vous n'avez pas besoin de cette fonction.

02 Fonctions spéciales

Permet d'afficher une brève description de certaines des fonctions spéciales du réfrigérateur.

Opérations

03 Réglages du réfrigérateur

Permet de modifier de nombreux réglages du réfrigérateur, comme ceux des fonctions Ice Making (Fabrication de glaçons), Door alarm (Alarme de la porte) et Temperature Units (Unités de température) (°F ou °C). Consultez la page suivante pour obtenir plus d'informations.

04 Conditions externes


Permet d'afficher la température et l'humidité (ambiantes) externes.

REMARQUE

Les conditions affichées peuvent différer de la température et du taux d'humidité réels.

REMARQUE

Le voyant Ice Off (Désactivation glace) s'affiche en haut, au centre. Lorsque le voyant affiche Ice Off (Désactivation glace), cela signifie que la machine à glaçons est désactivée.

Ice Making (Fabrication de glaçons)	Permet d'activer et de désactiver la machine à glaçons. Faites glisser le bouton pour activer ou désactiver la fonction. Veuillez noter que si le bac à glaçons est rempli de glaçons, le réfrigérateur ne commence pas à fabriquer des glaçons lorsque vous appuyez sur ce bouton (pour allumer la machine à glaçons). Au lieu de cela, il affiche le témoin Ice Making Off (Arrêt machine à glaçons) sur l'écran principal.
Dispenser Lock (Verrouillage du distributeur)	Permet d'activer ou de désactiver les distributeurs de glaçons et d'eau. Faites glisser le bouton pour activer ou désactiver la fonction.
Door Alarm (Alarme de la porte)	L'alarme de la porte retentit si cette dernière reste ouverte. Faites glisser le bouton pour activer ou désactiver la fonction.
Temp. Unit (Unité de temp.)	Permet de changer d'unité de température : Celsius ou Fahrenheit. Appuyez sur °F ou °C pour basculer d'une unité à l'autre.
Water Filter (Filtre à eau)	<p>Vous explique comment remplacer le filtre à eau et vous permet de réinitialiser le voyant de remplacement. Appuyez sur le bouton pour l'ouvrir.</p> <p> REMARQUE</p> <p>Une fois le filtre à eau installé pour la première fois, appuyez doucement sur le bouton Water Filtre (Filtre à eau), puis sur RESET (RÉINITIALISER). Appuyer doucement sur le bouton RESET (RÉINITIALISER) vous permet d'initialiser le temps restant avant le prochain remplacement du filtre à eau.</p>
Self Check (Auto-vérification)	Cette fonction fait partie des opérations d'auto-diagnostic. Appuyez sur le bouton pour l'ouvrir. Appuyez sur START (DÉPART) pour la lancer.
Demand Response (Réponse à la demande)	Permet d'activer le gestionnaire d'économie d'énergie Smart Grid. Appuyez sur le bouton pour l'ouvrir. Faites glisser le bouton pour activer ou désactiver la fonction. Consultez la section Smart Grid de ce manuel pour obtenir plus d'informations.



Cooling Off (Sans refroidissement)	<p>Le mode Cooling Off (Sans refroidissement) (également appelé mode Démo) est destiné aux vendeurs qui mettent les réfrigérateurs en démonstration dans leur magasin.</p> <p>En mode Cooling Off (Sans refroidissement), seuls le moteur du ventilateur et les voyants du réfrigérateur fonctionnent ; les compresseurs du réfrigérateur et du congélateur sont désactivés et ne produisent donc pas de froid. Si la fonction Cooling Off (Sans refroidissement) est activée, toutes les commandes de refroidissement seront désactivées sur le Fridge Manager (Gestionnaire du réfrigérateur).</p> <p>Faites glisser le bouton pour activer ou désactiver la fonction.</p>
---	--

Opérations

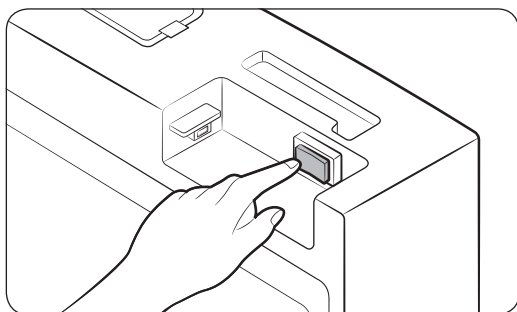
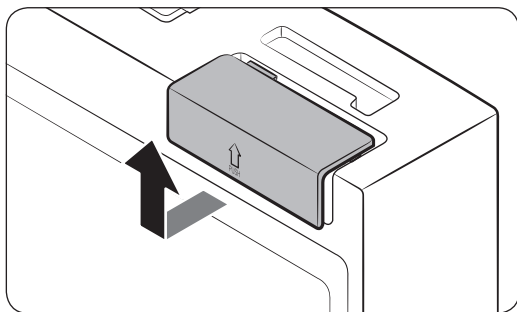
Settings (Réglages)

Display (Écran)	<ul style="list-style-type: none">Vous pouvez régler la luminosité de l'écran, le réveil automatique de l'écran et l'économiseur d'écran notamment le thème et la durée.
Volume	<ul style="list-style-type: none">Ajustez le volume et activez ou désactivez la tonalité des touches et le retour sonore du clavier.
Wi-Fi (Connexion Wi-Fi)	<ul style="list-style-type: none">Activez ou désactivez une connexion Wi-Fi. Le réseau Wi-Fi actuel est répertorié en premier dans la liste des points d'accès (PA).Pour ajouter un point d'accès, appuyez sur Menu dans la barre des tâches, puis ajoutez le point d'accès avec la connexion Wi-Fi activée.
Bluetooth (Connexion Bluetooth)	<ul style="list-style-type: none">Un maximum de 4 appareils Bluetooth récemment jumelés sont répertoriés.Pour ajouter un nouvel appareil, déjumelez d'abord l'un des appareils jumelés dans la liste des appareils.Les appareils disponibles sont des casques, des écouteurs et des enceintes avec la connexion Bluetooth activée.
Date and Time (Date et heure)	<ul style="list-style-type: none">Assurez-vous que la fonction Automatic Time Update (Mise à jour automatique de l'heure) est activée avec une connexion appropriée au réseau Wi-Fi. Ouvrez la porte du réfrigérateur et repérez le bouton de réinitialisation de l'affichage sur l'intérieur de la porte. Appuyez sur le bouton puis de nouveau pour réinitialiser l'affichage. Ensuite, la date et l'heure sont synchronisées à partir du serveur d'horloge.Vous pouvez changer de fuseau horaire via le menu Time Zone (Fuseau horaire).
Language (Langue)	<ul style="list-style-type: none">Sélectionnez la langue de votre choix. Les langues disponibles dépendent de la région dans laquelle l'appareil a été vendu.
Learn more about Family Hub (En savoir plus sur Family Hub)	<ul style="list-style-type: none">Appuyez doucement sur le bouton Learn more about Family Hub (En savoir plus sur Family Hub) pour ouvrir l'application du mode démo. Cette application vous guidera dans le large éventail de menus et de fonctionnalités de Family Hub, en les divisant en 3 catégories : Communication familiale, Gestion des aliments et Divertissement.
Online Manual (Manuel en ligne)	<ul style="list-style-type: none">Le manuel en ligne vous guidera à travers les divers menus et applications que vous propose le réfrigérateur directement sur l'écran.
About Device (À propos de l'appareil)	<ul style="list-style-type: none">Assurez-vous que la fonction Software Update (Mise à jour du logiciel) est activée avec une connexion au réseau Wi-Fi appropriée.Lorsque des mises à jour sont disponibles, le bouton UPDATE (METTRE À JOUR) devient actif. Une fois les mises à jour terminées, le réfrigérateur redémarre automatiquement.Les informations juridiques affichent le Contrat de licence pour logiciel open source. Appuyez doucement sur l'élément de la liste pour ouvrir l'Annonce de logiciel open source.

Easy Connection (Connexion facile)	<ul style="list-style-type: none"> • La fonction Easy Connection (Connexion facile) peut être utilisée avec des applications pour smartphones Samsung et elle vous permet de connecter votre appareil au même réseau Wi-Fi domestique que votre smartphone.
Device Authentication (Authentification de l'appareil)	<ul style="list-style-type: none"> • La fonction Device Authentication (Authentification de l'appareil) peut être utilisée avec des applications pour téléviseurs intelligents Samsung, dans lesquelles les informations de confidentialité sur le réfrigérateur peuvent être partagées sur le téléviseur. • La disponibilité de cette fonction dépend du modèle de l'appareil.
Factory Data Reset (Réinitialisation des données d'usine)	<ul style="list-style-type: none"> • Appuyez doucement sur Reset (Réinitialiser) pour redémarrer le réfrigérateur en mode Factory Data Reset (Réinitialisation des données d'usine). Toutes les données de l'utilisateur seront supprimées définitivement. Les données à supprimer incluent les informations du compte, les mémos, les photos et les paramètres utilisateur. <p>⚠ ATTENTION</p> <p>Une fois la réinitialisation des données d'usine terminée, aucune donnée de l'utilisateur ne peut être récupérée.</p>

Réinitialisation de l'écran (modèles applicables uniquement)

Si l'écran ne s'affiche pas correctement, réinitialisez-le. Cette action peut permettre de corriger le problème.



1. Ouvrez la porte de droite du réfrigérateur et repérez le cache de l'interrupteur en haut à droite de la porte.
2. Poussez le cache vers le haut pour dévoiler l'interrupteur de mise en marche.
3. Désactivez l'interrupteur, puis réactivez-le.
4. Réinsérez le cache de l'interrupteur à l'extrémité jusqu'à entendre un « clic ».

Opérations

Samsung Smart Home

Installation

Rendez-vous sur Google Play Store, Galaxy Apps ou Apple App Store et recherchez « Samsung Smart Home ». Téléchargez et installez l'application Samsung Smart Home fournie par Samsung Electronics sur votre périphérique intelligent.

REMARQUE

- L'application Samsung Smart Home est conçue pour Android 4.0 (ICS) ou une version supérieure et pour iOS 7.0 ou une version supérieure. De plus, elle est optimisée pour les smartphones Samsung (séries Galaxy S et Galaxy Note).
- Pour bénéficier de meilleures performances, l'application Samsung Smart Home est soumise à modifications sans préavis ou à une interruption de la prise en charge en fonction de la politique du fabricant.
- Les systèmes de codage recommandés incluent WPA/TKIP et WPA2/AES. Tous les protocoles d'authentification pour connexion Wi-Fi plus récents ou non standardisés ne sont pas pris en charge.
- Les réseaux sans fil peuvent être affectés par l'environnement de communication sans fil autour.
- Si votre fournisseur de services Internet a enregistré l'adresse MAC de votre ordinateur ou de votre modem à des fins d'identification, il est possible que votre réfrigérateur intelligent Samsung ne parvienne pas à se connecter à Internet. Si tel est le cas, prenez contact avec votre fournisseur de services Internet pour bénéficier d'une assistance technique.
- Les paramètres du pare-feu de votre système de réseau peuvent empêcher votre réfrigérateur intelligent Samsung d'accéder à Internet. Prenez contact avec votre fournisseur de services Internet pour bénéficier d'une assistance technique. Si ce symptôme persiste, prenez contact avec un centre de service ou un détaillant Samsung local.
- Pour configurer les paramètres du point d'accès sans fil, reportez-vous au manuel d'utilisation du point d'accès.
- Les réfrigérateurs intelligents Samsung prennent en charge la connexion Wi-Fi 2,4 GHz avec IEEE 802.11 b/g/n, ainsi que les protocoles Soft-AP (IEEE 802.11 n est recommandé).
- Les routeurs Wi-Fi sans fil non autorisés peuvent ne pas parvenir à se connecter aux réfrigérateurs intelligents Samsung applicables.



Compte Samsung

Vous devez créer votre compte Samsung pour pouvoir utiliser l'application. Si vous n'avez pas de compte Samsung, suivez les instructions de l'application affichées à l'écran pour créer un compte Samsung gratuit.

Pour commencer

1. Lancez l'application Samsung Smart Home et connectez-vous à votre compte Samsung. Les personnes utilisant un iPhone doivent saisir les identifiants de connexion à chaque fois qu'ils accèdent à l'application.
2. Sélectionnez l'icône **Device (Périphérique)** > **+** (**plus**), puis appuyez sur **Refrigerator (Réfrigérateur)**.
3. Suivez les instructions qui s'affichent à l'écran pour saisir les informations nécessaires relatives au routeur, puis appuyez doucement sur **Next (Suivant)**.
4. Sur l'écran du réfrigérateur, accédez à **Settings (Réglages)**, puis sélectionnez **Easy Connection (Connexion facile)**.
5. Lorsque l'enregistrement du périphérique est terminé, l'icône du réfrigérateur apparaît sur l'application Samsung Smart Home.
6. Appuyez doucement sur l'icône du réfrigérateur pour ouvrir la page relative au réfrigérateur.

Application Refrigerator

Commande intégrée

Vous pouvez surveiller et contrôler votre réfrigérateur chez vous, de même qu'en déplacement.

- Appuyez doucement sur l'icône **Refrigerator (Réfrigérateur)** dans l'application Samsung Smart Home pour ouvrir la page Refrigerator (Réfrigérateur).
- Vérifiez l'état de fonctionnement ou les notifications relatives à votre réfrigérateur et modifiez des options ou des réglages si nécessaire.

REMARQUE

Certaines options ou certains réglages du réfrigérateur peuvent ne pas être disponibles pour la commande à distance.



Opérations

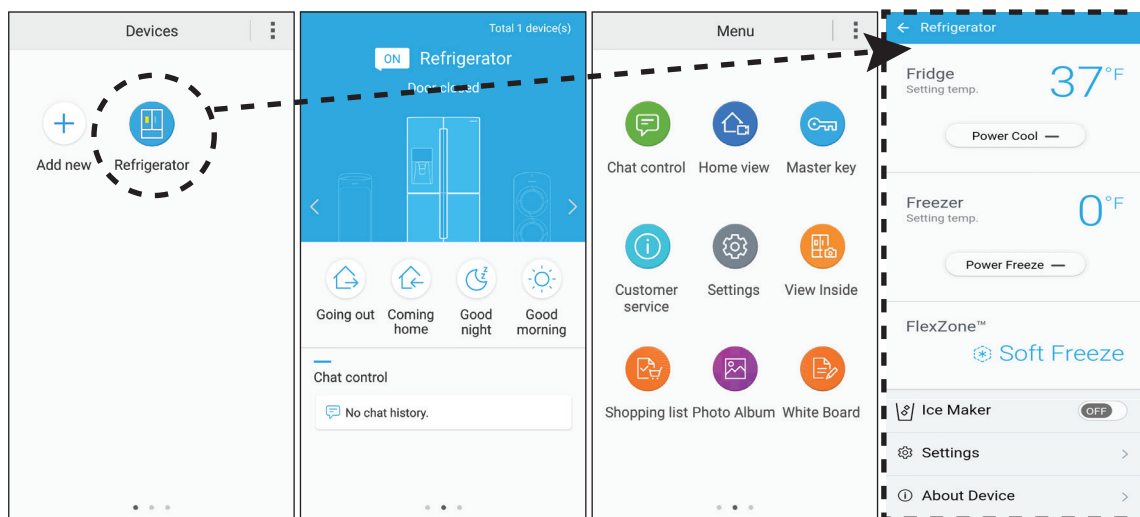
Fonctions des applications clés

Enregistrez les appareils Samsung Smart Home sur le serveur Samsung Smart Home pour un accès à distance.

Présentation du menu des applications

REMARQUE

Pour une conception et des performances optimales, le contenu de l'application Samsung Smart Home est soumis à modifications sans préavis.



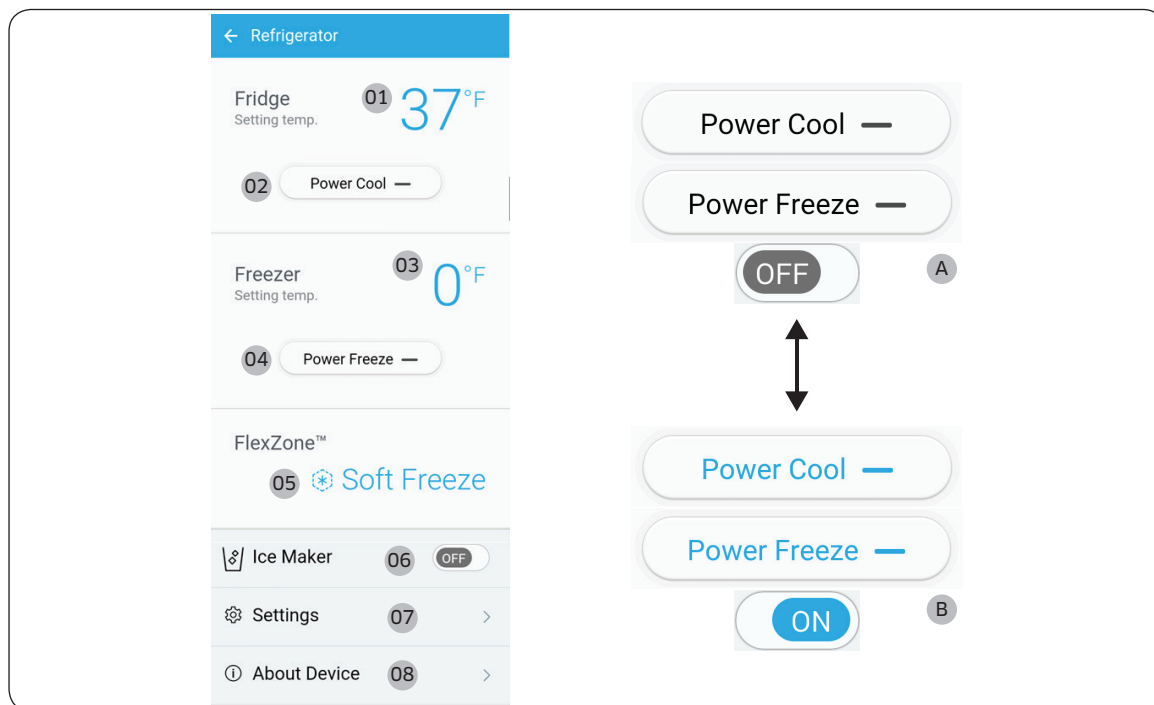
- Appuyez doucement sur **Refrigerator (Réfrigérateur)** pour ouvrir la page des réglages du réfrigérateur.
- Faites glisser rapidement votre doigt sur l'écran pour passer à la page suivante.

Chat control (Commandes de chat)	Vous pouvez contrôler vos appareils Samsung Smart Home à distance ou encore vérifier leur état de fonctionnement.
Home view (Surveillance du domicile) (modèles applicables uniquement)	En utilisant la caméra intégrée d'un appareil Samsung Smart Home, vous pouvez surveiller votre cuisine. Cette fonction est disponible uniquement avec les modèles applicables.
Master key (Touches principales)	La fonction Master key (Touches principales) est conçue pour contrôler le système de verrouillage pour différentes activités de l'utilisateur, telles que quitter la maison, rentrer à la maison, aller au lit la nuit et se réveiller le matin. Cette fonction est disponible uniquement avec les modèles applicables.
Customer service (Service client)	Vous permet de télécharger le manuel d'utilisation et d'obtenir les coordonnées du support client.

Settings (Réglages)	<p>Vous pouvez vérifier l'appareil connecté ainsi que les informations du logiciel (version et licences libres), ou encore ajouter des appareils et sélectionner un pays.</p> <p>Vous pouvez simuler le fonctionnement de l'appareil actuel à des fins de démonstration.</p>
View Inside (Aperçu de l'intérieur)	<p>Le bouton View Inside (Aperçu de l'intérieur) permet d'afficher l'aperçu de l'intérieur du réfrigérateur, soit en prenant une photo de celui-ci, soit en recevant la liste des aliments créée par l'utilisateur.</p>
Shopping List (Liste des courses)	<p>Le bouton Shopping List (Liste des courses) permet d'afficher une liste de courses créée par l'utilisateur.</p>
Photo Album (Album photos)	<p>Vous pouvez envoyer des photos stockées dans la fonction Photo Album (Album photos) du réfrigérateur sur votre smartphone, ou vice versa.</p>
White Board (Tableau blanc)	<p>Créez un nouveau mémo de tableau blanc à l'aide de la fonction White Board (Tableau blanc) du réfrigérateur, puis envoyez-le sur votre smartphone, ou vice versa.</p>

Opérations

Réglages du réfrigérateur

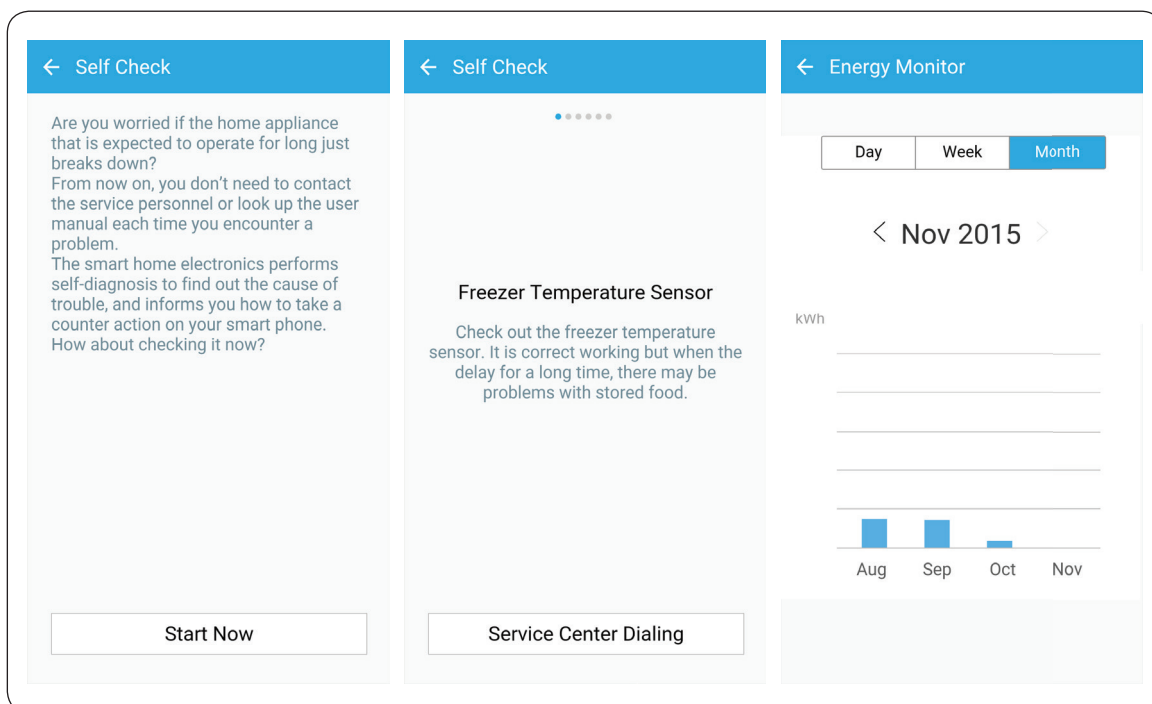


A : Désactivé (noir)

B : Activé (bleu)

Fridge (Réfrigérateur)	<p>01 Affiche la température actuellement réglée pour le réfrigérateur.</p> <p>02 Vous pouvez activer ou désactiver la fonction Power Cool (Refroidissement rapide) et vérifier les paramètres actuels. La fonction Power Cool (Refroidissement rapide) permet de baisser la température du réfrigérateur et d'accélérer le processus de refroidissement. En mode Power Cool (Refroidissement rapide), le réfrigérateur tourne à pleine puissance pendant plusieurs heures, puis revient en fonctionnement normal et reprend le paramètre de température précédent.</p>
Freezer (Congélateur)	<p>03 Affiche la température actuellement réglée pour le congélateur.</p> <p>04 Vous pouvez activer ou désactiver la fonction Power Freeze (Congélation rapide) et vérifier les paramètres actuels. La fonction Power Freeze (Congélation rapide) permet de baisser la température du congélateur et d'accélérer le processus de congélation. En mode Power Freeze (Congélation rapide), le congélateur tourne à pleine puissance pendant plusieurs heures, puis revient en fonctionnement normal et reprend le paramètre de température précédent.</p>

FlexZone™ (Zone ajustable FlexZone™)	05 affiche le réglage du mode actuel.
Ice Maker (Machine à glaçons)	06 Vous pouvez activer ou désactiver la fonction Ice Maker (Machine à glaçons) et vérifier les paramètres actuels ainsi que le statut de fabrication de glaçons.



Settings (Réglages)	07 Sur l'écran Settings (Réglages), vous pouvez surveiller le statut de consommation d'énergie de votre réfrigérateur au format de votre choix. Les formats pris en charge sont des rapports quotidiens, hebdomadaires ou mensuels de consommation d'énergie, couvrant au maximum les 180 derniers jours.
About Device (À propos de l'appareil)	08 Permet d'afficher les informations produit, comme la version logicielle actuelle, un tutoriel, la fonction Self Check (Auto-vérification) et la fonction Help Desk (Centre d'assistance). Vous permet de télécharger le manuel d'utilisation et d'obtenir les coordonnées du support client. Self Check (Auto-vérification) En accédant à la fonction Self Check (Auto-vérification), vous pouvez consulter les résultats du test diagnostique de votre réfrigérateur. Si le réfrigérateur détecte un problème, il affiche des informations détaillées concernant le problème qui peuvent être utilisées par le service client.

Opérations

Fonction SMART GRID (Réponse à la demande)

Lorsque le réfrigérateur fonctionne en mode SMART GRID (Réponse à la demande), la fonction Energy Management Refrigerator (Réfrigérateur Gestion de l'énergie) du réfrigérateur permet de contrôler la consommation d'énergie ou de repousser le départ de certaines fonctions pour des raisons économiques (heures pleines).

REMARQUE

- Vous pouvez désactiver la fonction SMART GRID (Réponse à la demande) à tout moment à l'aide de la fonction Override On/Off (Activation/Désactivation Override).
- Pour utiliser la fonction SMART GRID (Réponse à la demande), vous devez avoir un contrat séparé avec votre fournisseur d'électricité.

De plus, pour utiliser la fonction Smart Grid (Réponse à la demande), vous devez souscrire au service auprès de votre fournisseur d'électricité. Celui-ci doit disposer d'un système de gestion de l'énergie (EMS, Energy Management System) prenant en charge les profils SEP (Smart Energy profile).

Utilisation de la fonction SMART GRID (réponse à la demande)

Cette fonctionnalité surveille les informations de prix et de demande d'énergie de votre fournisseur et envoie des notifications au réfrigérateur pour effectuer les tâches fortement consommatrices en énergie pendant les périodes creuses où les coûts et la demande d'électricité sont plus faibles.

Si le réfrigérateur reçoit un signal de commande de la part du fournisseur d'électricité, le réfrigérateur affiche les niveaux **DAL** (niveau 3) ~ **TALR** (niveau 4) sur l'écran du réfrigérateur et contrôle la consommation d'énergie selon le niveau.

Condition d'exception : Les signaux de contrôle de niveau **DAL** et **TALR** reçus de la part d'un fournisseur d'électricité fonctionnent tant que les performances de l'appareil sont maintenues.

Si le réfrigérateur reçoit le signal SMART GRID (Réponse à la demande) (**DAL** ou **TALR**), il fonctionne en mode Delay Appliance Load (Charge différée de l'appareil) ou Temporary Appliance Load Reduction (Réduction temporaire de la charge de l'appareil).

- Charge différée de l'appareil (L3) : Le réfrigérateur répond à un signal **DAL** en fournissant une réduction modérée de charge pendant la durée réglée. Cette fonction commande les fonctions qui consomment beaucoup d'énergie telles qu'ajuster le système de refroidissement en exécutant le cycle de dégivrage, et en produisant de la glace.
 - Le mode **DAL** est automatiquement désactivé à la fin de la durée stipulée par le signal **DAL** (4,5 heures maximum), ou lorsque la touche Override (Override) est pressée.

- Réduction temporaire de la charge de l'appareil (niveau 4) : Le réfrigérateur répond à un signal **TALR** en fournissant une réduction de charge agressive pendant une courte période. Cette fonction réduit la consommation d'énergie en arrêtant le compresseur et en contrôlant les fonctions qui consomment beaucoup d'énergie telles qu'exécuter le cycle de dégivrage et produire de la glace.
 - Le mode **TALR** (niveau 4) est désactivé automatiquement à la fin de la durée de réception (15 minutes maximum), ou lorsque la fonction Override (Override) est activée. Le mode est immédiatement désactivé et le réfrigérateur revient à l'état normal lorsque la porte est ouverte ou fermée, ou lorsque le distributeur est utilisé.

Vérifier l'adresse MAC

1. Appuyez sur l'icône **Settings (Réglages)** située sur l'écran d'accueil.
2. Faites défiler l'écran jusqu'à **About Device (À propos du périphérique)** et ouvrez.
3. L'écran affiche entre autres choses l'adresse MAC de la connexion Wi-Fi.

Mode Override

Lorsque vous souhaitez que le réfrigérateur ignore le signal SMART GRID (Réponse à la demande) de votre fournisseur d'électricité, vous pouvez activer le mode **VERRIDE**.

Lorsque vous activez le mode **VERRIDE**, le réfrigérateur ignore le signal SMART GRID (Réponse à la demande) et ne sera pas commandé par votre fournisseur d'électricité.

Activation et désactivation du mode Override

1. Appuyez doucement sur l'icône **Fridge Manager (Gestionnaire du réfrigérateur)**.
2. En bas de l'écran **Fridge Manager (Gestionnaire du réfrigérateur)**, appuyez doucement sur l'icône **Fridge Settings (Réglages du réfrigérateur)**.
3. Appuyez doucement sur **Demande Response (Réponse à la demande)**.
4. Faites glisser le bouton **DAL/TALR override (Ignorer le mode DAL/TALR)** sur la position **ON (ACTIVATION)** ou **OFF (DÉSACTIVATION)**.

REMARQUE

- Sinon, vous pouvez activer ou désactiver le mode **VERRIDE (VERRIDE)** à partir de l'application Samsung Smart Home et de la fonction Energy Management (Gestion de l'énergie). Consultez la page suivante.

Opérations

Utilisation de la fonction Energy Management (Gestion de l'énergie)

La fonction Energy Management (Gestion de l'énergie) vous permet de contrôler et surveiller votre réfrigérateur Energy Management (Gestion de l'énergie) à l'aide de l'application Samsung Smart Home, à des fins de commodité.

REMARQUE

- Pour utiliser les fonctions du réfrigérateur Energy Management (Gestion de l'énergie), vous devez d'abord installer l'application correspondante.
1. Statut opérationnel
 - Vous pouvez vérifier les états DR et Override.
 2. Rapport de consommation d'énergie
 - Il indique la consommation d'énergie cumulée. Les données de la consommation d'énergie sont mises à jour toutes les heures.

REMARQUE

Le rapport de consommation d'énergie peut différer par rapport aux spécifications de consommation d'énergie de l'appareil, en fonction de l'environnement d'utilisation, ainsi que de la quantité et du type des aliments stockés.

3. Fonction de dégivrage différé.
 - La fonction de dégivrage différé permet d'économiser de l'énergie en retardant l'opération de dégivrage à une heure spécifiée par l'utilisateur. Vous pouvez configurer l'heure et cette fonction permet d'économiser de l'énergie pendant la période spécifiée dans un cycle de 24 heures. Si l'heure n'est pas réglée, la fonction opère avec les réglages d'heure par défaut. Les réglages d'heure par défaut sont les suivants :
 - de 6 h à 10 h : du 1er novembre au 30 avril.
 - de 15 h à 19 h : du 1er mai et 31 octobre.

Changement du réglage de l'heure de la fonction de dégivrage différé

Vous pouvez changer le réglage de l'heure pour la fonction de dégivrage différé dans l'application.

Disposition pour l'accès ouvert aux Demandes du produit connecté

1. Normes ouvertes du SGIP (Smart Energy Profile 2.0 - <http://www.csep.org/>)
 - Rapport de consommation d'énergie
 - Réponse à la demande
2. Interface API ouverte de Samsung
 - Operational Status, User Settings & Messages
 - ICE Maker Status: GET /devices/0/fridge/iceMaker
 - Door Open Alarm: GET /devices/0/Door/openState
 - DR Status: GET /devices/0/drlc
 - Delay Defrost Capability
 - Set Schedule of the Defrost Delay: POST /devices/0/fridge/defrostreservations
 - Get Schedule of the Defrost Delay : GET /devices/0/fridge/defrostreservations
 - Delete Schedule of the Defrost Delay: DELETE /devices/0/fridge/defrostreservations/<<id>>
 - Defrost Delay On/OFF: PUT /devices/0/fridge

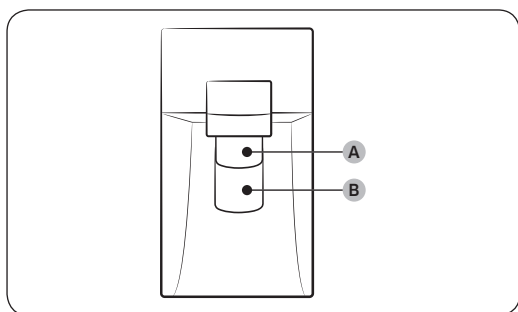
Opérations

Fonctions spéciales

Le réfrigérateur dispose de nombreuses fonctionnalités pratiques.

Le distributeur d'eau

Grâce au distributeur d'eau, vous obtenez de l'eau sans ouvrir la porte du réfrigérateur.



Le distributeur d'eau offre 3 options : eau réfrigérée, glaçons et glace pilée.

Si vous ne souhaitez pas vous servir de la glace, appuyez simplement sur le **levier distributeur d'eau (B)**.

Lorsque la fonction Ice Maker (Machine à glaçons) est activée,

1. Appuyez dessus pour sélectionner un type de glace.
2. Mettez un verre d'eau sur le **levier distributeur de glace (A)**, puis pressez-le. De la glace est versée par le distributeur.
3. Si vous souhaitez vous servir de l'eau, mettez le verre sur le **levier distributeur d'eau (B)**, puis pressez-le. De l'eau est versée par le distributeur.

REMARQUE

- Pour obtenir à la fois de la glace et de l'eau, poussez d'abord le **levier distributeur de glace (A)** pour obtenir de la glace puis faites descendre légèrement votre verre et poussez le **levier distributeur d'eau (B)** pour obtenir de l'eau.
- Si vous appuyez sur les deux leviers en même temps, seul le premier des deux à avoir été poussé est actionné.
- Pour éviter les éclaboussures, attendez 1 seconde avant de retirer le verre une fois la distribution terminée.
- Veillez à ce que le verre soit aligné avec le distributeur afin d'éviter que l'eau ne vous éclabousse.
- Si vous n'utilisez pas le distributeur d'eau pendant 2 à 3 jours, l'eau distribuée peut avoir une odeur ou un goût étrange. Il ne s'agit pas d'un dysfonctionnement du système. Jetez le premier et les 2 premiers verres d'eau.

Machine à glaçons

Le réfrigérateur dispose d'une machine à glaçons intégrée qui distribue automatiquement de la glace, afin que vous puissiez bénéficier d'eau filtrée avec des glaçons ou de la glace pilée.

Fabrication de glaçons

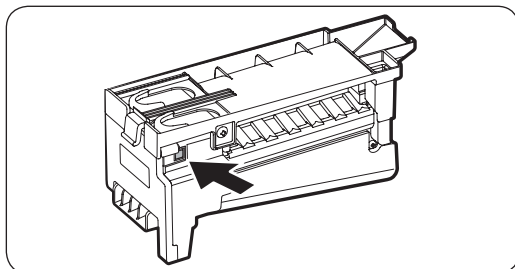
Après avoir installé votre réfrigérateur et l'avoir branché, suivez ces instructions pour garantir une fabrication appropriée de glaçons et garder de la glace à disposition dans le bac à glaçons :

1. Pour garantir des performances optimales, laissez le réfrigérateur fonctionner pendant au moins 24 heures sans distribuer de glaçons.
2. Versez les 4 à 6 premiers glaçons dans un verre.
3. Attendez encore 8 heures et versez 4 à 6 autres glaçons.
4. Ensuite, attendez encore 16 heures et versez le premier verre plein de glace.

REMARQUE

- Si vous consommez toute la glace en une seule fois, vous devez attendre 8 heures avant de pouvoir verser les 4 à 6 premiers glaçons. Cela permet de s'assurer que le bac à glaçons est rempli de glaçons de façon appropriée.
- Les glaçons générés rapidement peuvent sembler blancs, ce qui est normal.

Diagnostic



Si vous n'arrivez pas à verser de glaçons, vérifiez d'abord la machine à glaçons.

Vérifier la machine à glaçons

1. Appuyez sur le bouton **Test** sur le côté de la machine à glaçons. Vous entendrez un signal sonore (ding-dong) lorsque vous appuierez sur le bouton.
2. Vous entendrez un autre signal sonore si la machine à glaçons fonctionne correctement.

ATTENTION

- Si la machine à glaçons émet un signal sonore de façon répétitive, contactez l'installateur de la conduite d'eau ou un centre de service Samsung local.
- N'appuyez pas plusieurs fois sur le bouton **Test** une fois que le bac à glaçons est rempli de glace ou d'eau. De l'eau pourrait déborder ou la glace pourrait se coincer.
- Ne placez pas d'aliments dans le bac à glaçons. Les aliments surgelés peuvent endommager la machine à glaçons, en particulier lorsque vous ouvrez ou fermez la porte.
- Lorsque l'alimentation du réfrigérateur est rétablie après une panne de courant, le bac à glaçons peut contenir un mélange de glaçons fondus ou coincés, et empêcher la machine à glaçons de fonctionner correctement. Pour éviter cela, assurez-vous de vider le bac à glaçons avant d'utiliser le réfrigérateur.

Opérations

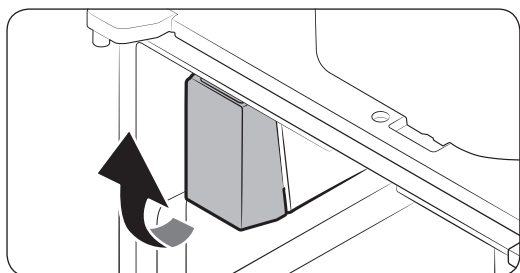
- Ne mettez pas les doigts ni d'autres objets dans la sortie du distributeur ou la machine à glaçons. Cela pourrait provoquer des blessures corporelles ou des dommages matériels.
- Au moment de la remise en place du bac de la machine à glaçons, assurez-vous que ce dernier soit bien centré au niveau de l'entrée. Cela évitera qu'il ne reste bloqué.

Arrêt machine à glaçons

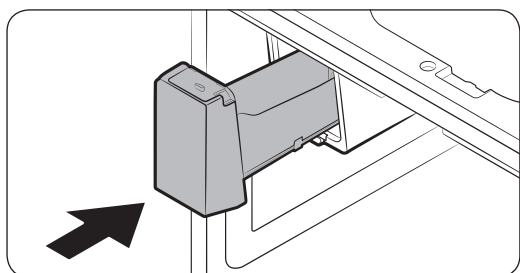
Pour désactiver la machine à glaçons, appuyez doucement sur **Fridge Manager (Gestionnaire du réfrigérateur)** > **Fridge Settings (Réglages du réfrigérateur)** > **Ice Making (Fabrication de glaçons)** sur l'écran d'accueil. Ensuite, sélectionnez **Off (Désactivation)**. Assurez-vous de vider le bac à glaçons.

Les glaçons restants peuvent se coller entre eux et devenir difficiles à retirer.

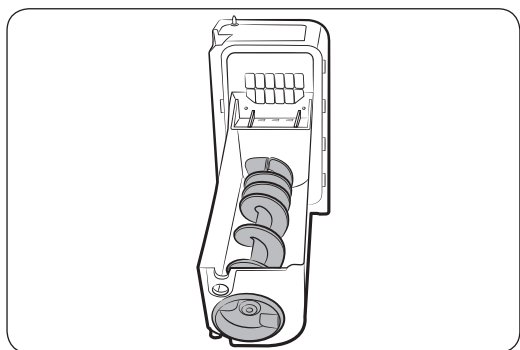
Retirer le bac à glaçons



1. Tenez le bas du bac à glaçons avec une main et tenez l'autre côté avec l'autre main.
2. Soulevez-le doucement et retirez-le.



3. Retirez les glaçons restants et remettez le bac à glaçons en place.



Si le bac à glaçons n'est pas fermement mis en place, faites tourner la vis de glace de 90 degrés, puis réessayez.

REMARQUE

- Le retrait du bac à glaçons n'affecte pas les performances thermiques et mécaniques du réfrigérateur.

Eau trouble

L'eau alimentée dans le réfrigérateur passe à travers un filtre pour eau alcaline. Pendant ce processus de filtrage, la pression de l'eau augmente et l'eau devient saturée en oxygène et en azote. L'eau semble donc temporairement floue ou trouble lorsqu'elle est versée. Ceci est normal ; l'eau deviendra transparente après quelques secondes.

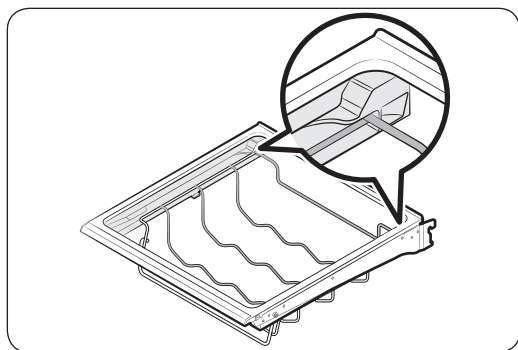
Casier à bouteilles de vin

Le réfrigérateur vous est livré avec le casier à bouteilles de vin, qui peut être positionné dans l'une des 3 positions suivantes : sous l'étagère, dans le guide de séparation ou par-dessus l'étagère coulissante de la zone ajustable FlexZone. La disponibilité de la position dépend du modèle.

⚠ ATTENTION

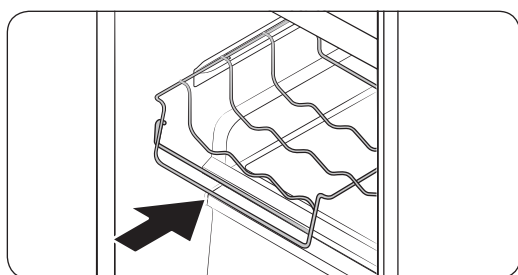
Pour retirer ou insérer le casier à bouteilles de vin, assurez-vous que ce dernier est vide.

Sous l'étagère



Insérez le casier à bouteilles de vin sous l'étagère du réfrigérateur. Assurez-vous de l'insérer jusqu'au bout, comme indiqué sur l'illustration.

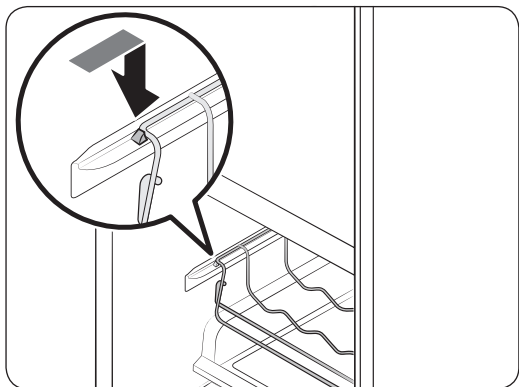
Dans le guide de séparation



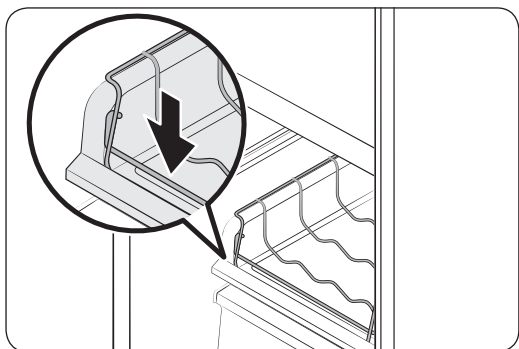
Insérez le casier à bouteilles de vin dans le guide de séparation de la zone ajustable FlexZone.

- Assurez-vous que l'avant du casier à bouteilles de vin rentre bien dans le guide de séparation sur le côté intérieur gauche de la zone ajustable FlexZone.
- Réglez la température de la zone ajustable FlexZone sur **White Wine (Vin blanc)**.

Opérations



Sur l'étagère coulissante



Insérez le casier à bouteilles de vin par-dessus l'étagère coulissante de la zone ajustable FlexZone, normalement en-dessous du guide de séparation.

- Réglez la température de la zone ajustable FlexZone sur **White Wine (Vin blanc)**.

⚠ ATTENTION

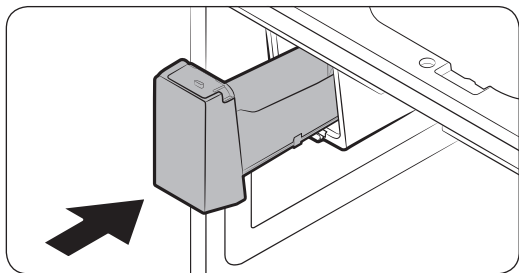
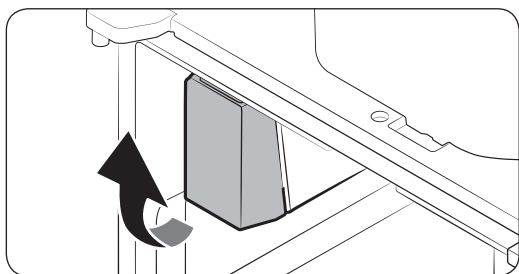
- N'entreposez pas de bouteilles de vin dans le congélateur. Les bouteilles gèleraient et se casseraient, ce provoquerait des blessures.
- N'entreposez pas de bouteilles de vin sur deux rangées. Les bouteilles pourraient tomber, ce qui provoquerait des blessures.
- N'entreposez pas des bouteilles de vin dont la hauteur excède 330 mm. Les bouteilles pourraient se casser lorsque vous fermez la porte, ce qui provoquerait des blessures.

Maintenance

Utilisation et entretien

Bac à glaçons

Si vous ne versez pas de glaçons pendant une période prolongée, les glaçons peuvent se coller entre eux à l'intérieur du bac. Si tel est le cas, retirez et videz le bac à glaçons.



1. Pour retirer le bac à glaçons, soulevez-le doucement et retirez-le lentement en tirant dessus, en tenant le bas du bac avec une main et le côté avec l'autre main.
2. Videz le bac.
3. Une fois l'opération terminée, remettez le bac en position. Si le bac ne rentre pas, tournez la vis hélicoïdale de 90 degrés et réessayez.

ATTENTION

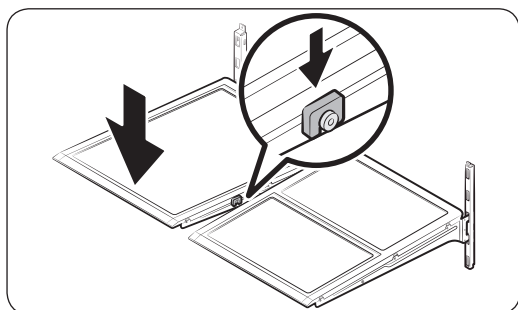
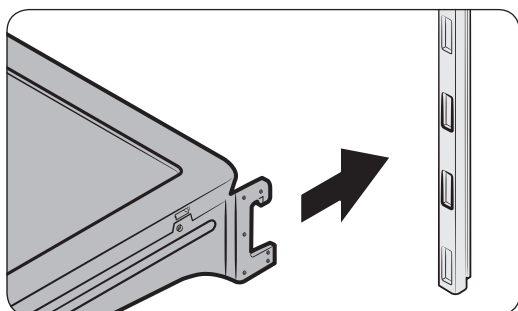
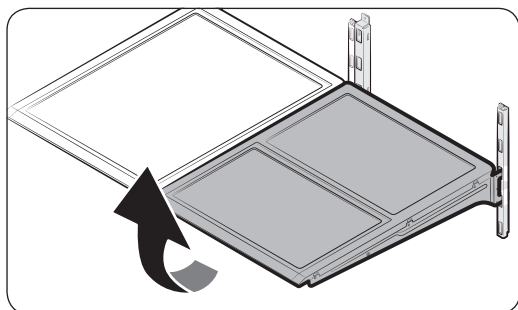
- N'exercez pas de pression excessive sur le cache du bac. Il risquerait de se casser.
- Ne forcez pas la fermeture de la porte. De l'eau peut déborder de la machine à glaçons.
- Pour éviter tout risque de blessure, assurez-vous d'essuyer toute la glace ou l'eau qui est tombée sur le sol.
- Pour éviter tout risque d'accident ou de blessure, ne laissez pas les enfants jouer avec le distributeur d'eau ou la machine à glaçons.
- N'insérez jamais vos doigts ou un objet dans le conduit d'écoulement. Cela pourrait provoquer des blessures corporelles ou des dommages matériels.
- Utilisez uniquement le bac à glaçons fourni. Les bacs à glaçons de tiers peuvent provoquer une défaillance du système.
- Utilisez uniquement de l'eau potable qui est reliée à la conduite d'alimentation en eau.

REMARQUE

- La pression d'eau requise pour produire des glaçons est comprise entre 20 psi et 125 psi.
- Le bruit généré lorsque la machine à glaçons lors du processus de fabrication des glaçons est normal.
- Lorsque la porte est ouverte, ni la machine à glaçons ni le distributeur d'eau ne fonctionnent.

Maintenance

Clayettes en verre trempé (réfrigérateur)



- Pour retirer une clayette, ouvrez la porte correspondante entièrement. Attrapez la clayette par l'avant, puis soulevez-la doucement et faites-la glisser pour la retirer.

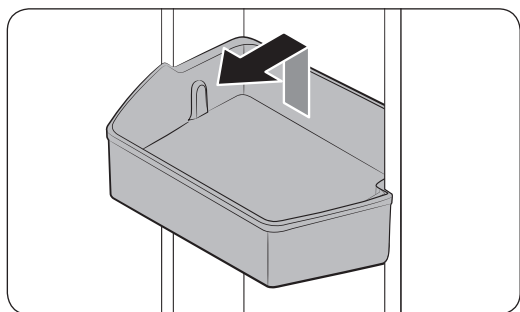
- Pour la remettre en place, maintenez la clayette à un angle de sorte que l'avant soit plus que l'arrière, puis insérez le crochet supérieur dans l'encoche de la clayette supérieure. Puis, abaissez la clayette et insérez le crochet de la clayette inférieure dans l'encoche de la clayette inférieure.

! ATTENTION

- Les clayettes en verre trempé sont lourdes. Soyez prudent lors de leur retrait.
- La clayette doit être mise en place correctement. Ne la mettez pas en place à l'envers.
- Les récipients en verre peuvent rayer la surface des clayettes en verre.

Bacs de la porte

La section supérieure des bacs de la porte possède une ligne marquée permettant de faciliter le retrait et de remettre en place de façon appropriée.

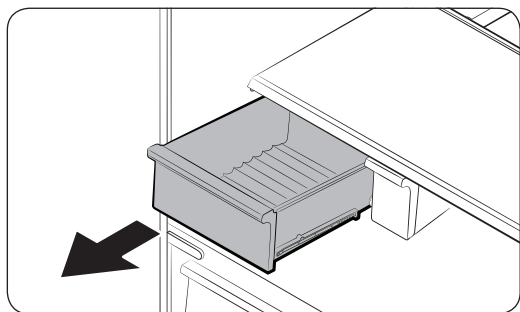


Soulevez le bac de la porte, puis tirez tout droit pour le retirer.

⚠ ATTENTION

Ne laissez pas les enfants jouer avec les bacs. Les angles tranchants peuvent entraîner des blessures.

Tiroirs à fruits et légumes (Zone EZ fraîche)

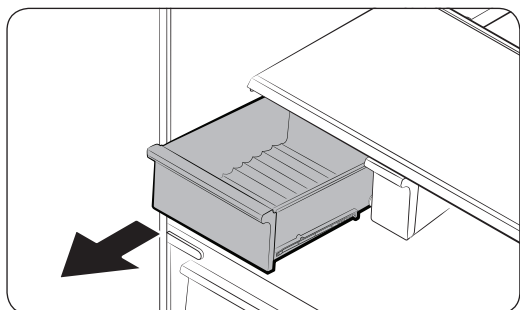


Soulevez doucement l'avant du tiroir et faites-le glisser pour le retirer.

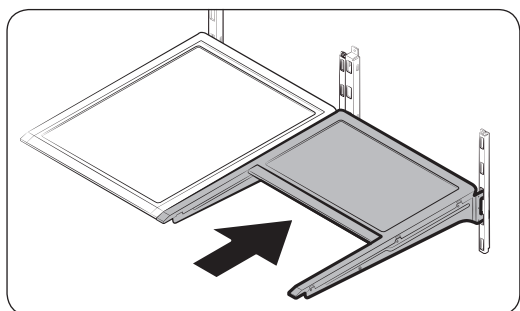
Nous vous recommandons de retirer les bacs de la porte avant de retirer le tiroir. Cela permet d'éviter d'endommager les bacs de la porte.

Maintenance

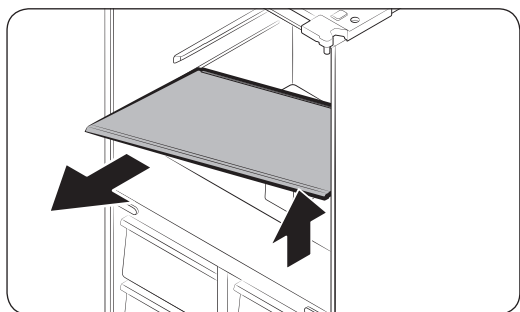
Clayette à légumes



1. Faites glisser le tiroir à légumes du côté gauche pour le retirer.



2. Faites glisser la clayette pliante du côté droit pour la mettre en place.



3. Tout en soutenant la clayette à légumes avec une main, faites-la glisser avec l'autre main pour la retirer.

REMARQUE

Retirez la clayette à légumes pour utiliser l'espace dégagé avec le retrait de la clayette pliante.
Pour la remettre en place, suivez les étapes ci-dessus dans l'ordre inverse.

Bac à glaçons

Pour retirer le bac à glaçons, reportez-vous la section Maintenance en page 59.

Nettoyage

Intérieur et extérieur

⚠ AVERTISSEMENT

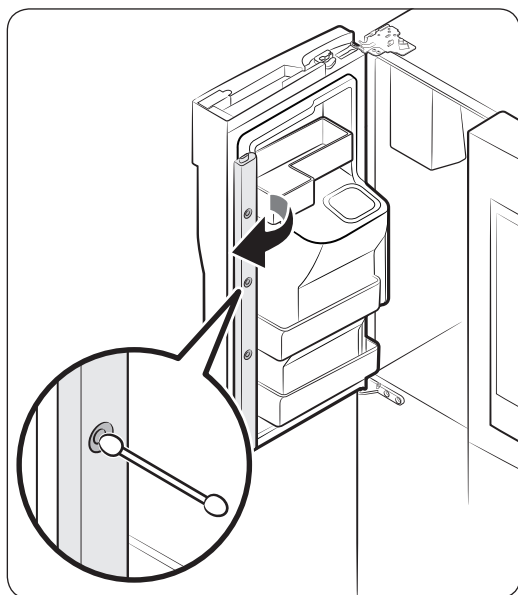
- Ne nettoyez pas le réfrigérateur avec du benzène, du diluant ou du nettoyant domestique/pour voiture comme Clorox™. Ces produits risquent d'endommager la surface du réfrigérateur ou de provoquer un incendie.
- Évitez de vaporiser de l'eau directement sur le réfrigérateur. Cela est susceptible de provoquer un choc électrique.
- Ne mettez pas les doigts ni d'autres objets dans la sortie du distributeur.

Retirez régulièrement toutes les substances étrangères telles que la poussière ou l'eau des fiches de la prise électrique et des points de contact à l'aide d'un chiffon sec.

Nettoyage du réfrigérateur

1. Débranchez le cordon d'alimentation.
2. Mouillez légèrement un chiffon doux non pelucheux ou une serviette en papier pour nettoyer l'intérieur et l'extérieur du réfrigérateur.
3. Ensuite, utilisez un chiffon sec ou une serviette en papier pour bien sécher les surfaces.
4. Branchez le cordon d'alimentation.

Caméra d'aperçu de l'intérieur



📄 REMARQUE

Utilisez un coton-tige ou un chiffon en microfibre pour nettoyer la caméra située sur la porte gauche du réfrigérateur.

Maintenance

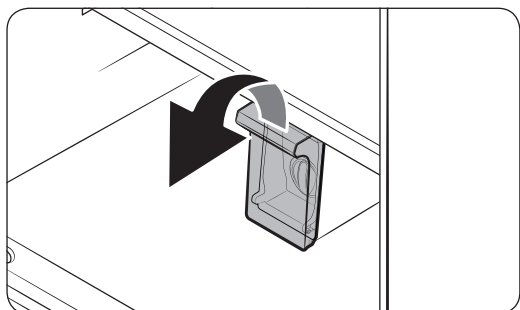
Remplacement

Filtre à eau

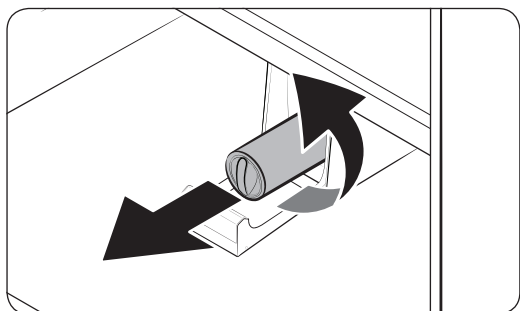
AVERTISSEMENT

- N'utilisez pas de filtres à eau de tiers. Utilisez uniquement des filtres fournis ou homologués Samsung.
- Les filtres non homologués peuvent fuir ou endommager le réfrigérateur, entraînant alors un risque d'électrocution. Samsung ne peut être tenue responsable en cas de dommages découlant de l'utilisation de filtres à eau de tiers.

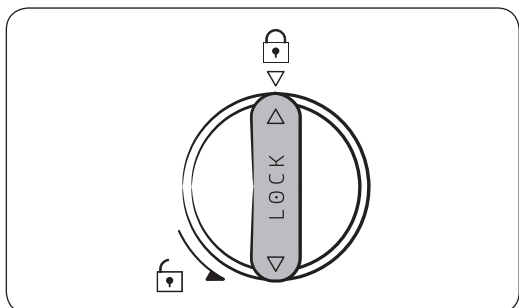
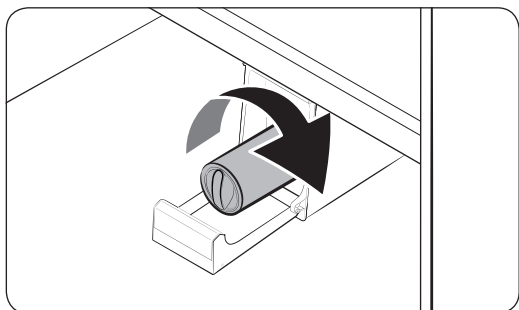
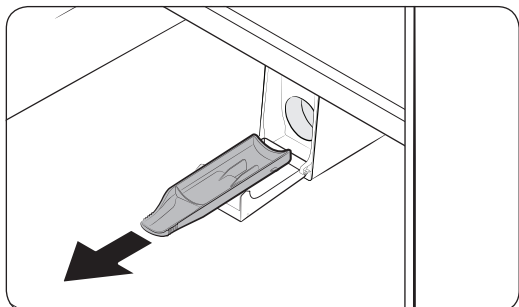
L'indicateur du filtre () devient rouge pour vous rappeler qu'il est temps de remplacer le filtre à eau. Avant de remplacer le filtre, assurez-vous que la conduite d'alimentation en eau est coupée.



1. Ouvrez le cache du filtre.
 - Certains modèles peuvent ne pas avoir le cache du filtre. Dans ce cas, ignorez cette étape.



2. Tournez le bouton du compteur de cartouches de filtre dans le sens horaire de 90 degrés (1/4 de tour). La cartouche de filtre se déverrouille.
3. Tirez dessus pour retirer la cartouche.
 - Si le filtre à eau est très contaminé, la cartouche peut être difficile à retirer. Si tel est le cas, utilisez la force pour retirer la cartouche.
 - Pour éviter des fuites d'eau au niveau de l'ouverture du filtre, gardez la cartouche droite lors de son retrait.



REMARQUE

Pour éviter un débordement, videz et séchez le tiroir du filtre à eau.

4. Mettez la nouvelle cartouche de filtre en place. Utilisez uniquement des filtres fournis ou homologués Samsung.
5. Tournez le bouton de la cartouche dans le sens horaire pour la verrouiller en place.
6. Sur l'écran d'accueil, appuyez doucement sur **Fridge Manager (Gestionnaire du réfrigérateur)** > **Fridge Settings (Réglages du réfrigérateur)** > **Water Filter (Filtre à eau)**, puis sélectionnez **RESET (RÉINITIALISATION)**.
Le témoin du filtre s'éteint.
7. Une fois le remplacement du filtre terminé, ouvrez le robinet d'eau et versez de l'eau dans le distributeur pendant environ 7 minutes. Cela permet d'éliminer les impuretés et l'air provenant de la conduite d'eau.

REMARQUE

- De l'eau peut brièvement gicler du distributeur d'eau si le filtre a récemment été installé. Cela est dû à l'air pénétrant dans la conduite d'eau.
- Après le processus de remplacement, le distributeur d'eau peut goutter pendant une courte durée. S'il goutte, essayez simplement l'eau présente sur le sol à l'aide d'un chiffon sec.

Maintenance

Système de filtration d'eau d'osmose inverse

La pression d'eau du système d'alimentation en eau vers un système de filtration d'eau d'osmose inverse doit être comprise entre 35 psi et 120 psi (241 kPa et 827 kPa).

La pression d'eau du système de filtration d'eau d'osmose inverse vers la conduite d'eau du réfrigérateur doit être d'au moins 40 psi (276 kPa). Si la pression d'eau est inférieure à ces spécifications :

- Vérifiez si le filtre sédiment du système d'osmose inverse n'est pas obstrué. Remplacez le filtre si nécessaire.
- Remplissez à nouveau le réservoir d'eau dans le système d'osmose inverse avec de l'eau.
- Si votre réfrigérateur est équipé d'un filtre à eau, cela peut réduire davantage la pression de l'eau s'il est utilisé en conjonction avec un système d'osmose inverse. Retirez le filtre à eau.

Pour plus d'informations ou un entretien, contactez un plombier professionnel autorisé.

Commander un filtre neuf

Pour acheter un nouveau filtre à eau, contactez un centre de service Samsung local ou consultez le site Web www.samsungparts.com.

Éclairage par DEL

Pour remplacer les DEL du réfrigérateur, contactez un centre de service Samsung local.

AVERTISSEMENT

Les DEL ne peuvent pas être remplacées par l'utilisateur. N'essayez pas de remplacer une DEL par vous-même. Cette opération peut causer une électrocution.

Dépannage

Si vous rencontrez un problème avec le réfrigérateur, vérifiez tout d'abord les tableaux ci-dessous, puis essayez d'exécuter les actions proposées.

Généralités

Symptôme	Action
Le réfrigérateur ne fonctionne pas ou ne refroidit pas.	<ul style="list-style-type: none">Assurez-vous que le cordon d'alimentation est correctement branché.Assurez-vous que la température est correctement réglée. Essayez de régler à une température inférieure.Assurez-vous que le réfrigérateur n'est pas exposé directement aux rayons du soleil et ne se trouve pas près d'une source de chaleur. Le non-respect de ces consignes peut affecter la performance de refroidissement.Assurez-vous que le réfrigérateur est assez loin des parois arrière, des parois latérales ou des meubles pour permettre une ventilation appropriée. Le non-respect de ces consignes peut affecter la performance de refroidissement.Une quantité trop importante d'aliments peut bloquer la ventilation interne du réfrigérateur. Pour maintenir le bon fonctionnement du réfrigérateur, ne placez pas trop d'aliments dedans.
Les aliments dans le réfrigérateur sont gelés.	<ul style="list-style-type: none">Vérifiez si la molette de température est réglée sur la température la plus faible. Si c'est le cas, passez à une température supérieure.Cela peut se produire si la température ambiante est trop faible. Réglez sur une température ambiante supérieure.Vérifiez si des aliments à forte teneur en eau sont stockés dans la partie la plus froide du réfrigérateur ou près des grilles de refroidissement. Si c'est le cas, déplacez les aliments sur les autres clayettes dans le réfrigérateur.
Des bruits inhabituels se produisent.	<ul style="list-style-type: none">Assurez-vous que le réfrigérateur est installé sur une surface stable et plane.Assurez-vous que le réfrigérateur est assez loin des parois arrière, des parois latérales et des meubles pour permettre une ventilation appropriée.Assurez-vous qu'aucun objet étranger (pièces, clés, couverts, etc.) ne se trouve à l'intérieur ou sous le réfrigérateur.Le réfrigérateur peut produire un cliquetis provenant de l'intérieur. Cela se produit lorsque les accessoires divers se rétractent ou se distendent lorsque la température à l'intérieur change. Ceci est tout à fait normal.

Dépannage

Symptôme	Action
Les coins avant et latéraux deviennent chauds et forment de la condensation.	<ul style="list-style-type: none">• Pour prévenir de la condensation, le réfrigérateur est équipé de tuyaux résistants à la chaleur dans les coins avant. Lorsque la température ambiante augmente, cet équipement peut ne pas fonctionner correctement. Il ne s'agit pas d'un dysfonctionnement du système.• Assurez-vous que la porte est correctement fermée. De la condensation peut se former si vous laissez la porte ouverte pendant une période prolongée.• De la condensation peut se former sur la surface extérieure du réfrigérateur si de l'air humide entre en contact avec la surface froide du réfrigérateur.
La machine à glaçons ne produit pas de glace.	<ul style="list-style-type: none">• Si vous avez utilisé tous les glaçons dans le bac à glaçons, vous devez patienter pendant 12 heures pour que le réfrigérateur produise plus de glace.• Vérifiez si le témoin Ice Off (Désactivation glace) est allumé. Si c'est le cas, activez la fonction Ice Maker (Machine à glaçons) de sorte que le témoin Ice Off (Désactivation glace) s'éteigne. Pour en savoir plus, reportez-vous à la section Réglages du réfrigérateur.• Assurez-vous que la température du congélateur est réglée en-dessous de 32 °F (0 °C) (ou 23 °F (-5 °C) lorsque l'air ambiant est chaud).• Assurez-vous que le réservoir d'eau est rempli d'eau.• Vérifiez si le bac à glaçons contient des glaçons collés entre eux. Si tel est le cas, videz le bac à glaçons puis réessayez.
Le distributeur d'eau ne fonctionne pas.	<ul style="list-style-type: none">• Vérifiez si le réservoir d'eau est gelé. Si c'est le cas, sélectionnez une température plus élevée du réfrigérateur.• Assurez-vous que le réservoir d'eau est rempli d'eau.• Assurez-vous que le réservoir d'eau est correctement installé.• Assurez-vous que le filtre à eau est correctement installé.
Vous entendez un bruit de bouillonnement.	<ul style="list-style-type: none">• Ceci est tout à fait normal. Le bruit de bouillonnement provient du réfrigérant qui circule dans le réfrigérateur.
Une mauvaise odeur provient du réfrigérateur.	<ul style="list-style-type: none">• Vérifiez qu'il n'y a pas d'aliments périmés. Nous vous recommandons de nettoyer régulièrement le réfrigérateur et de retirer tout aliment périmé ou suspect.• Assurez-vous que les aliments à forte odeur sont emballés de manière hermétique ou stockés dans des récipients étanches à l'air.
Du gel se forme sur les parois intérieures.	<ul style="list-style-type: none">• Assurez-vous qu'aucun aliment ne bloque les orifices de ventilation du réfrigérateur. Il est également important de disposer les aliments de manière homogène pour la ventilation.• Assurez-vous que la porte est correctement fermée.

Symptôme	Action
De la condensation se forme sur les parois intérieures ou autour des légumes.	<ul style="list-style-type: none"> • Cela se produit si des aliments à forte teneur en eau sont stockés sans être couverts ou si la porte est restée ouverte pendant une durée prolongée. • Assurez-vous de couvrir les aliments ou placez-les dans des récipients hermétiques.
La porte du congélateur ne ferme pas.	<ul style="list-style-type: none"> • Appuyez sur le levier distributeur d'eau pour vérifier l'alimentation en eau. • Appuyez sur le levier distributeur de glace pour vérifier le bon fonctionnement du moteur à vis sans fin dans la machine à glaçons. • Vérifiez l'absence d'objets obstruant le moteur à vis sans fin et qui l'empêcheraient de tourner. Si vous en avez trouvé, retirez les objets et dégagez la zone autour du moteur. • Si la machine à glaçons n'a pas été utilisée pendant une période prolongée, le bac à glaçons peut contenir des glaçons collés entre eux qui obstruent le moteur à vis sans fin et l'empêchent de tourner correctement. Si tel est le cas, retirez et videz le bac à glaçons.

Dépannage

Samsung Smart Home

Symptôme	Action
L'application « Samsung Smart Home » est introuvable sur le marché des applications.	<ul style="list-style-type: none">L'application Samsung Smart Home est disponible sur les smartphones qui disposent d'Android 4.0 (ICS) ou une version supérieure, ou d'iOS 7.0 ou une version supérieure.
L'application Samsung Smart Home ne fonctionne pas.	<ul style="list-style-type: none">L'application Samsung Smart Home est disponible sur les modèles applicables uniquement.L'ancienne application Samsung Smart Refrigerator ne peut pas se connecter à des modèles pour Samsung Smart Home.
L'application Samsung Smart Home est installée mais n'est pas connectée à mon réfrigérateur.	<ul style="list-style-type: none">Vous devez vous connecter à votre compte Samsung pour pouvoir utiliser l'application.Assurez-vous que votre routeur fonctionne normalement.Si vous n'avez pas connecté votre réfrigérateur à l'application Samsung Smart Home une fois cette dernière installée, vous devez établir la connexion à l'aide de la fonction d'enregistrement de l'appareil sur l'application.
Connexion à l'application impossible.	<ul style="list-style-type: none">Vous devez vous connecter à votre compte Samsung pour pouvoir utiliser l'application.Si vous n'avez pas de compte Samsung, suivez les instructions de l'application affichées à l'écran pour en créer un.
Un message d'erreur apparaît lorsque j'essaie d'enregistrer mon réfrigérateur.	<ul style="list-style-type: none">Easy Connection (Connexion facile) peut échouer en raison de la distance par rapport au point d'accès (PA) ou d'interférences électriques provenant de l'environnement. Attendez un moment puis réessayez.
L'application Samsung Smart Home est bien connectée à mon réfrigérateur mais ne fonctionne pas.	<ul style="list-style-type: none">Quittez puis relancez l'application Samsung Smart Home ou déconnectez et reconnectez le routeur.Débranchez le cordon d'alimentation du réfrigérateur, puis branchez-le à nouveau après 1 minute.

Réseau intelligent

Symptôme	Action
De quoi ai-je besoin pour utiliser les fonctions Energy Management (Gestion de l'énergie) et Smart Grid (Réponse à la demande) ?	<p>Pour utiliser les fonctions Smart Grid (Réponse à la demande) et Energy Management (Gestion de l'énergie) de votre réfrigérateur, les éléments suivants sont nécessaires :</p> <p>Appareils</p> <ul style="list-style-type: none">• Un point d'accès sans fil (routeur)• Un réfrigérateur Samsung prenant en charge la fonction Energy Management (Gestion de l'énergie)• Un smartphone <p>Enregistrement</p> <ul style="list-style-type: none">• Connectez votre réfrigérateur au réseau Wi-Fi de votre maison.• Souscrivez au service EMS (Système de gestion de l'énergie) auprès de votre fournisseur d'électricité disposant d'un EMS prenant en charge SEP (Smart Energy Profile). <p>Application</p> <ul style="list-style-type: none">• Téléchargez l'application Samsung Smart Home sur Google Play Store, Apple App Store ou Samsung Galaxy Apps.• Installez et lancez l'application Samsung Smart Home sur votre smartphone.
Pourquoi la fonction Energy Management ne fonctionne-t-elle pas correctement ?	<ul style="list-style-type: none">• Assurez-vous que le routeur de votre maison fonctionne normalement avec un service et une connexion Internet appropriés.• Assurez-vous que le réfrigérateur est connecté au point d'accès (routeur). <p>Points de contrôle</p> <ul style="list-style-type: none">• Connectez votre smartphone au routeur (PA, point d'accès), puis vérifiez si vous pouvez naviguer sur Internet depuis le smartphone.
Pourquoi fonction de Capacité de dégivrage différé ne fonctionne-t-elle pas correctement ?	<ul style="list-style-type: none">• Assurez-vous que le routeur de votre maison fonctionne normalement avec un service et une connexion Internet appropriés.

Dépannage

Écran LCD

Symptôme	Action
Je ne parviens pas à me connecter à ma TV.	<ul style="list-style-type: none">• Ce réfrigérateur ne peut se connecter qu'aux TV intelligentes Samsung 6400 ou modèles supérieurs commercialisés depuis 2015. Veuillez d'abord vérifier le nom de modèle de votre TV.• Il se peut que les connexions au réseau soient momentanément altérées. Éteignez votre TV puis réessayez.
L'image d'aperçu de l'intérieur du réfrigérateur semble bombée.	<ul style="list-style-type: none">• Les bords de l'aperçu de l'intérieur du réfrigérateur peuvent sembler bombés, ce qui est dû à la lentille convexe.• L'aperçu de l'intérieur du réfrigérateur peut être incomplet en raison des angles morts à gauche et à droite, ou tramé en fonction de la disposition des aliments. Assurez-vous de placer les aliments sur la partie centrale avant.
La mesure affichée sur le Gestionnaire du réfrigérateur n'est pas correcte.	<ul style="list-style-type: none">• Les conditions affichées peuvent différer de la température et du taux d'humidité réels.

Informations relatives à la garantie (CANADA)

Si votre réfrigérateur doit être réparé

N'hésitez pas à appeler un centre de service autorisé Samsung proche en lui communiquant vos nom, adresse et numéro de téléphone lorsque votre appareil ne fonctionne pas correctement.

Garantie limitée à l'acheteur initial

Cet appareil Samsung est garanti par Samsung Electronics Canada, Inc. (désigné ci-après par SECA) contre les défauts de fabrication matériels ou une malfaçon durant les périodes suivantes :

Main d'œuvre : 1 an (à domicile)

Pièces : 1 an

Compresseurs Inverter : 10 ans (pièce uniquement)

SECA garantit en outre que si cet appareil ne fonctionne pas correctement durant la période de garantie spécifiée et que le dysfonctionnement est dû à une malfaçon ou à un matériau défectueux, SECA réparera ou remplacera l'appareil à sa discrétion. Le service à domicile n'est pas offert partout. Communiquez avec nous pour savoir si le service à domicile est actuellement offert dans votre région en utilisant les coordonnées se trouvant au dos de votre garantie.

Toutes les réparations ou tous les remplacements de pièces sous garantie doivent être effectués par un centre de service autorisé SECA. (Pour localiser le centre de service SECA le plus proche, appelez le 1 800 SAMSUNG (726-7864) ou visitez notre site Web à l'adresse www.samsung.com/ca)

Obligation du propriétaire initial

Le reçu de vente daté initial doit être conservé par le client et il s'agit de la seule preuve d'achat acceptable. Il doit être présenté au centre de service autorisé SECA au moment de la demande de service avant que les services de garantie ne soient rendus. Pour tous les modèles portatifs, le transport vers et depuis le centre de service autorisé relève de la responsabilité du client.

Informations relatives à la garantie (CANADA)

Exclusions de la garantie

Cette garantie ne couvre pas les dommages provoqués par un accident, un incendie, une inondation et/ou toutes autres catastrophes naturelles, une manipulation, une tension d'alimentation ou une installation incorrectes, des réparations incorrectes ou non-autorisées, une utilisation commerciale ou enfin des dommages survenus au cours de l'expédition. Les ajustements de la part du client qui sont expliqués dans ce guide d'utilisation ne sont pas couverts par les dispositions de la présente garantie. Cette garantie sera automatiquement annulée pour tout appareil reçu avec un numéro de série manquant ou modifié. Cette garantie est valide uniquement pour les produits achetés et utilisés au Canada.

SAMSUNG SERVICE À LA CLIENTÈLE

Samsung Electronics Canada Inc. 2050 Derry Road West, Mississauga, Ontario L5N 0B9 Canada

1-800-SAMSUNG (726-7864)

www.samsung.com/ca/support (English)

www.samsung.com/ca_fr/support (French)

Mémo

Service has never
been **SMARTer**



ELITE
SERVICE

USA VIP Hotline 1-888-480-5674
Available Monday to Friday 8AM - 12MIDNIGHT ET
Saturday to Sunday 9AM - 11PM ET

Register your product online at www.samsung.com/eliteservice
to receive Samsung Elite Service*

With Samsung Elite Service you will receive:
Complimentary Technician Home Visit
Complimentary VIP Hotline and VIP Website

*Available in Samsung Branded Engineer coverage USA markets only.
Please visit Elite Service website or contact VIP Hotline for eligibility and more details.
Subject to certain restrictions/limitations.

SAMSUNG
CONCIERGE
SERVICE

Customer Service
1-855-795-0508

Available Monday to Friday
830AM - 8PM ET

Register your product online at:
www.samsung.com/conciergeservice
to receive Samsung Concierge Service

- Complimentary Technician Home Visit
- Extended 90-Day Warranty
- 24-Hour Parts Turnaround†

Available in Toronto, Montréal, Vancouver, Calgary and Ottawa markets.
Please contact customer service or your area's service provider for
more details. Subject to certain restrictions/limitations.

†Subject to availability. Certain conditions apply.

SAMSUNG
SERVICE HAUT
DE GAMME

Service à la clientèle
1-855-795-0508

Disponible du lundi au vendredi
De 8 h 30 à 20 h (HNE)

Enregistrez votre produit en ligne au
www.samsung.com/servicehautdegamme pour
profiter du service haut de gamme Samsung.

- Visite de technicien gratuite à votre domicile
- Garantie prolongée de 90 jours
- Pièces fournies en 24 heures†

Offert pour les marchés de Toronto, Montréal, Vancouver, Calgary et Ottawa.
Veuillez communiquer avec le service à la clientèle ou le fournisseur
de services de votre région pour en savoir plus. Certaines
restrictions/limites peuvent s'appliquer.

†Sous réserve de la disponibilité. Certaines conditions s'appliquent.

Prendre contact avec SAMSUNG WORLD WIDE

Si vous avez des questions ou des commentaires sur les produits Samsung, veuillez prendre contact avec le
centre d'assistance clientèle SAMSUNG.

Pays	Centre d'appels	Site Internet
U.S.A	1-800-SAMSUNG (726-7864)	www.samsung.com/us/support
CANADA	1-800-SAMSUNG (726-7864)	www.samsung.com/ca/support (English) www.samsung.com/ca_fr/support (French)



DA68-03460A-05